



US00D362236S

United States Patent [19]

Dann et al.

[11] Patent Number: **Des. 362,236**

[45] Date of Patent: **** Sep. 12, 1995**

[54] PORTABLE COMPUTER

[75] Inventors: **Michael S. Dann**, Mountain View; **Philip G. Yurkonis**, Campbell; **Craig M. Leverault**, Mountain View; **Paul S. Montgomery**; **Herbert H. F. Pfeifer**, both of San Francisco, all of Calif.; **Richard W. Seymour**, Kingston-upon-Thames; **David H. Powell**, Loxwood, both of England

[73] Assignee: **Sun Microsystems, Inc.**, Mountain View, Calif.

[**] Term: **14 Years**

[21] Appl. No.: **19,520**

[22] Filed: **Mar. 3, 1994**

[52] U.S. Cl. **D14/100; D14/113; D14/129**

[58] Field of Search **D14/100, 101, 106, 113, D14/124-127, 129; 345/104, 133, 156, 168, 87, 173, 901-905; 358/249, 254, 255; 248/917-924**

[56] References Cited

U.S. PATENT DOCUMENTS

D. 303,661	9/1989	Manabe et al.	D14/113
D. 336,637	6/1993	Abe et al.	D14/106
D. 344,933	3/1994	Wiseman et al.	D14/113
D. 348,657	7/1994	Matsuda	D14/113
D. 351,835	10/1994	Kawamoto et al.	D14/129

OTHER PUBLICATIONS

"Innovative Technologies On.ix Workstation Product Description" Oct. 1991.

Picture of "Unidentified Portable Computer" DESIGN Magazine, Date unknown (about Jul./Aug. 1992).

Primary Examiner—Freda Nunn

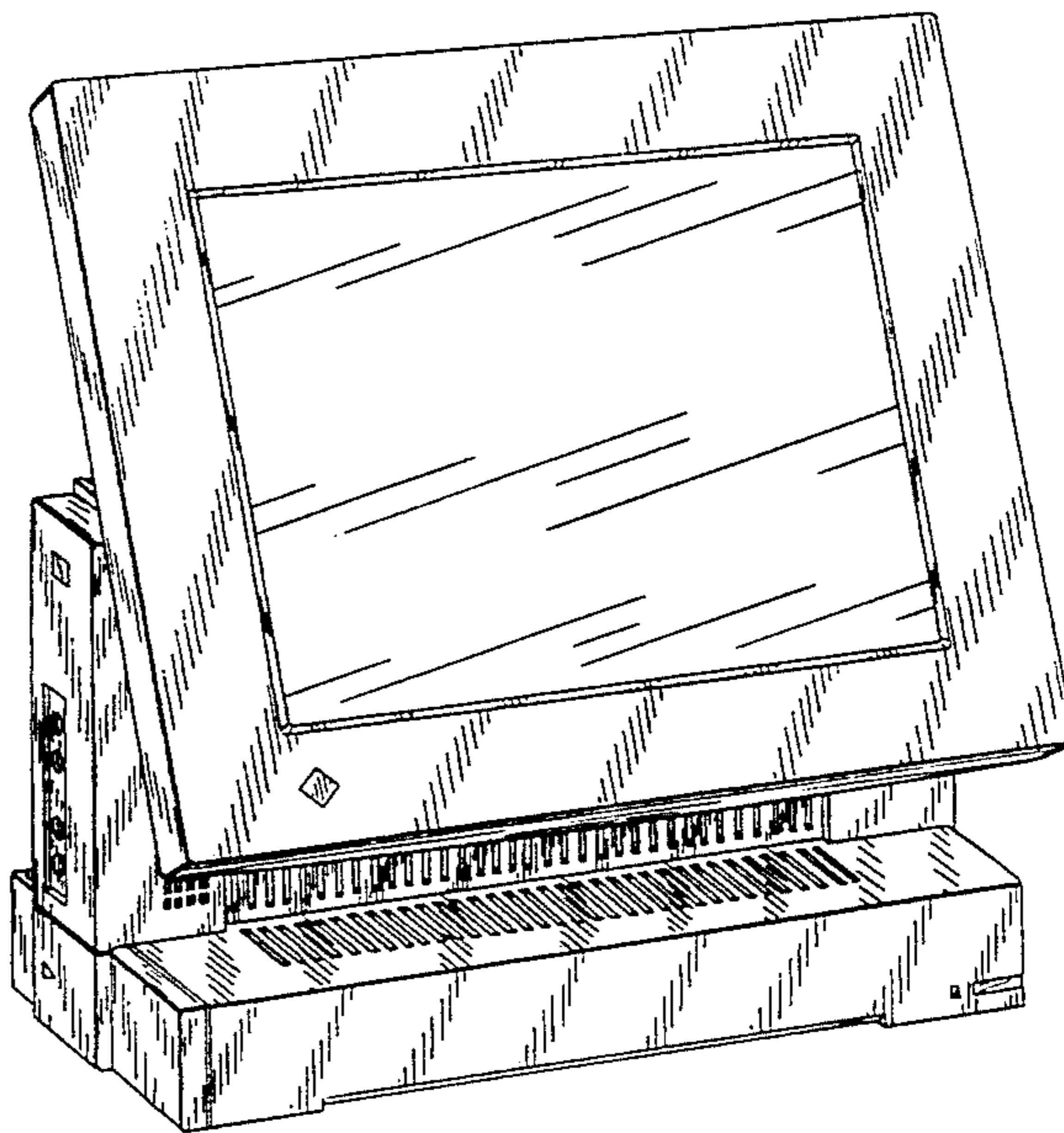
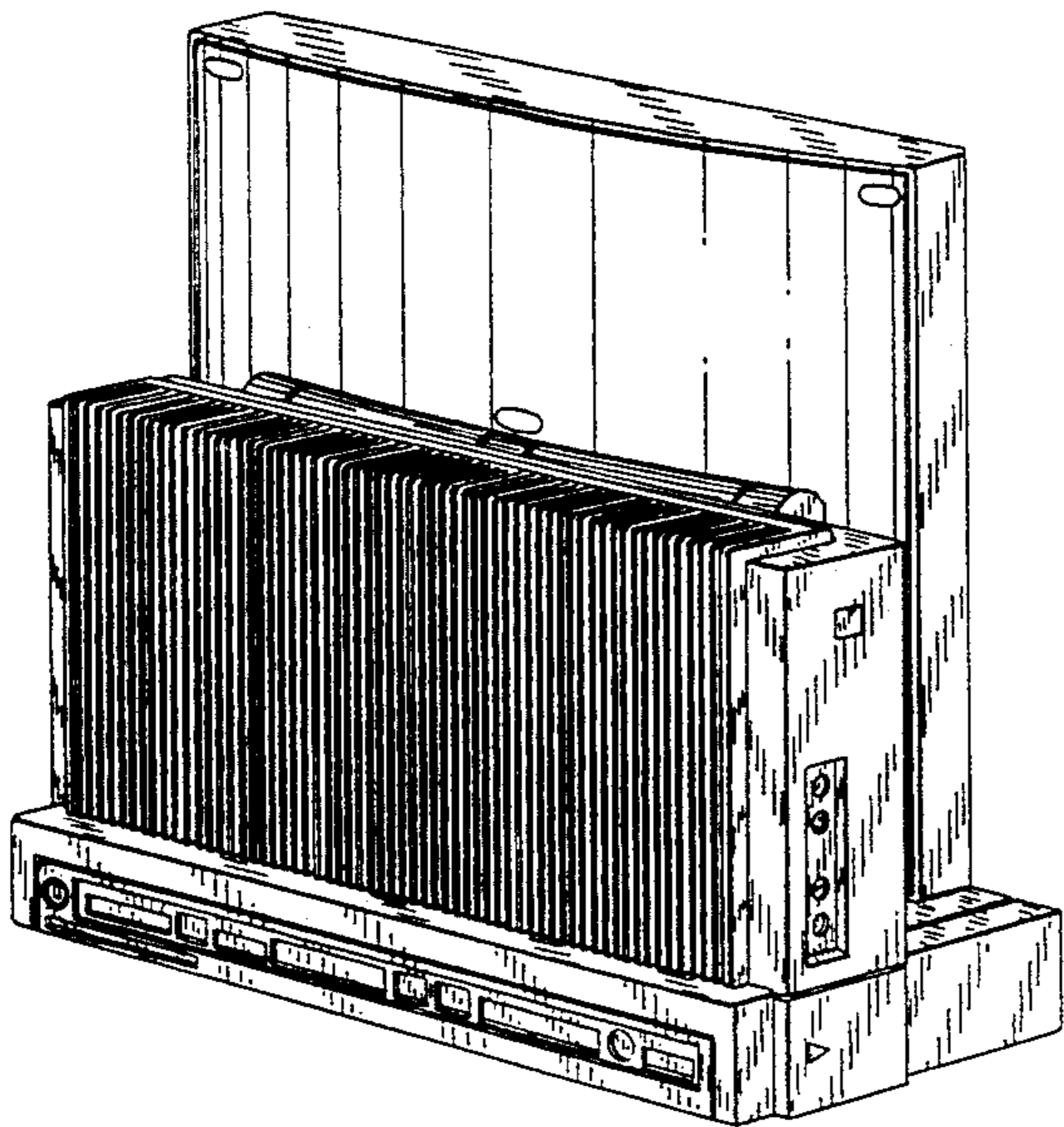
Attorney, Agent, or Firm—Erwin J. Basinski

[57] CLAIM

The ornamental design for a portable computer, as shown and described.

DESCRIPTION

FIG. 1 is a reduced perspective front view of the portable computer comprising the present invention; FIG. 2 is a reduced perspective rear view of the portable computer comprising the present invention; FIG. 3 is a front view thereof; FIG. 4 is a back view thereof; FIG. 5 is a left side view thereof; FIG. 6 is a right side view thereof; FIG. 7 is a top view thereof; FIG. 8 is a bottom view thereof; FIG. 9 is a left side view of an alternative embodiment of the portable computer comprising the present invention showing an aperture for an A/C plug in the side panel of the base and the undisclosed views are identical in appearance to those of the first embodiment; and, FIG. 10 is a reduced additional front perspective of the portable computer showing the display panel in a tilted position.



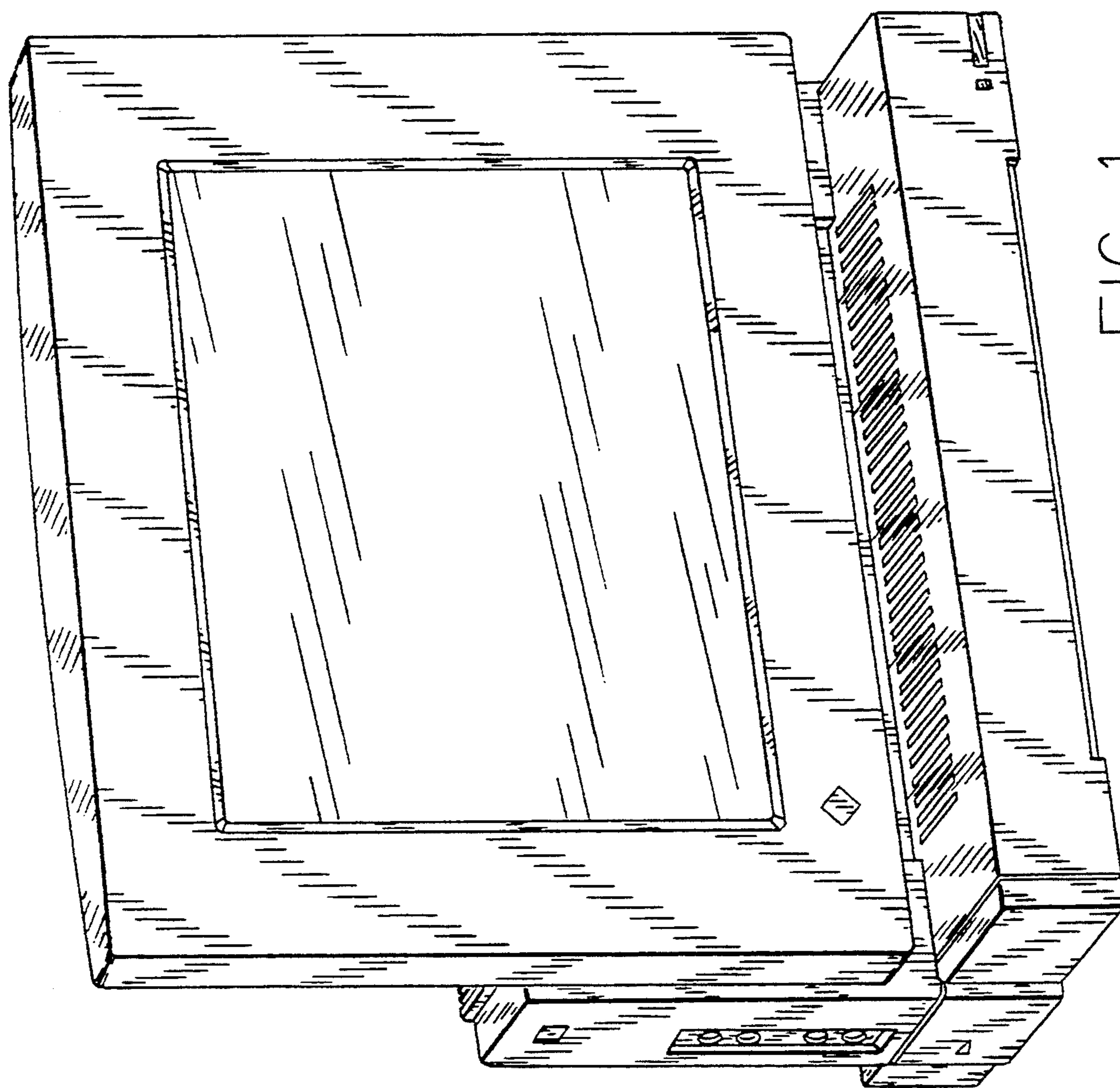


FIG. 1

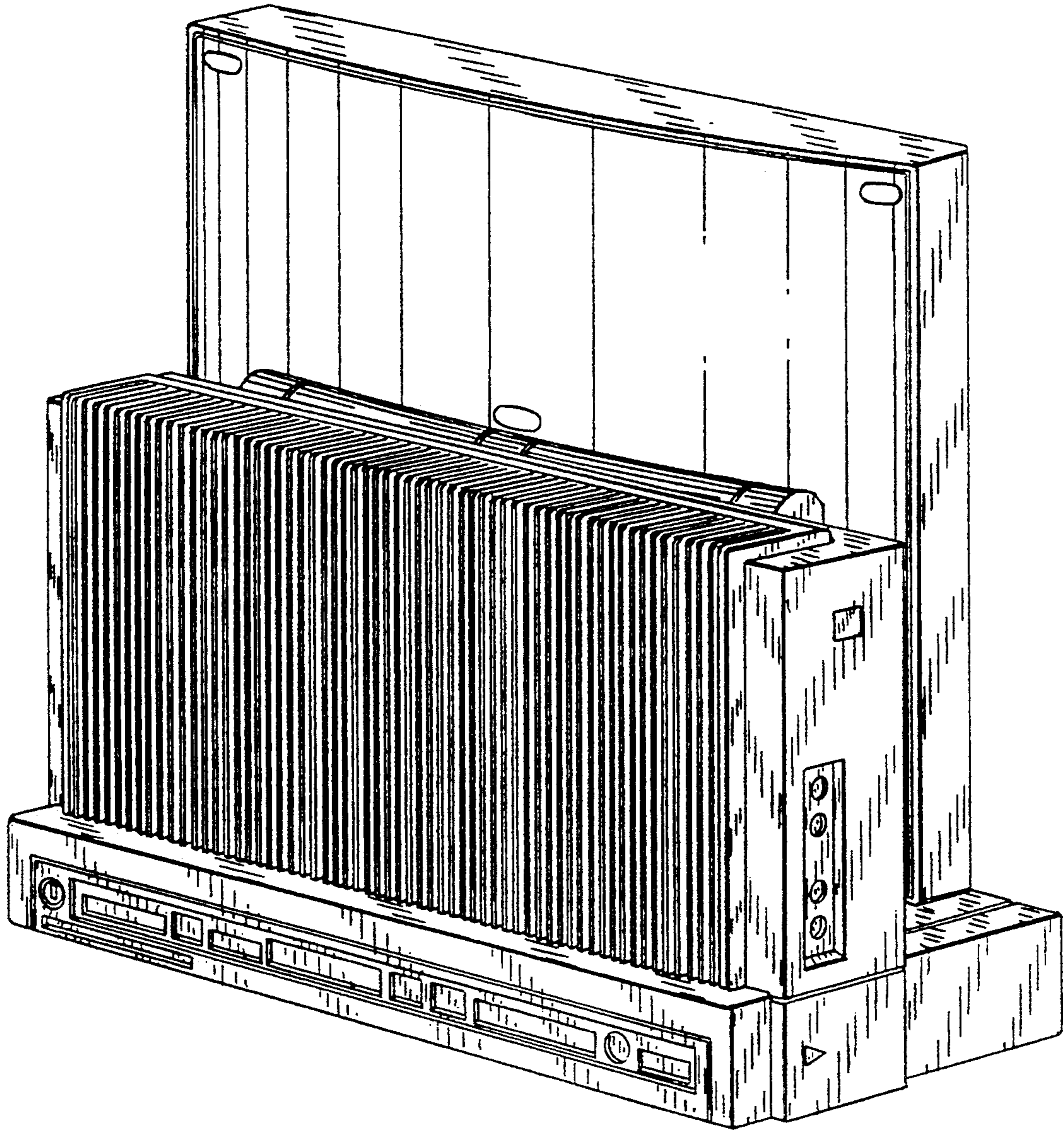


FIG. 2

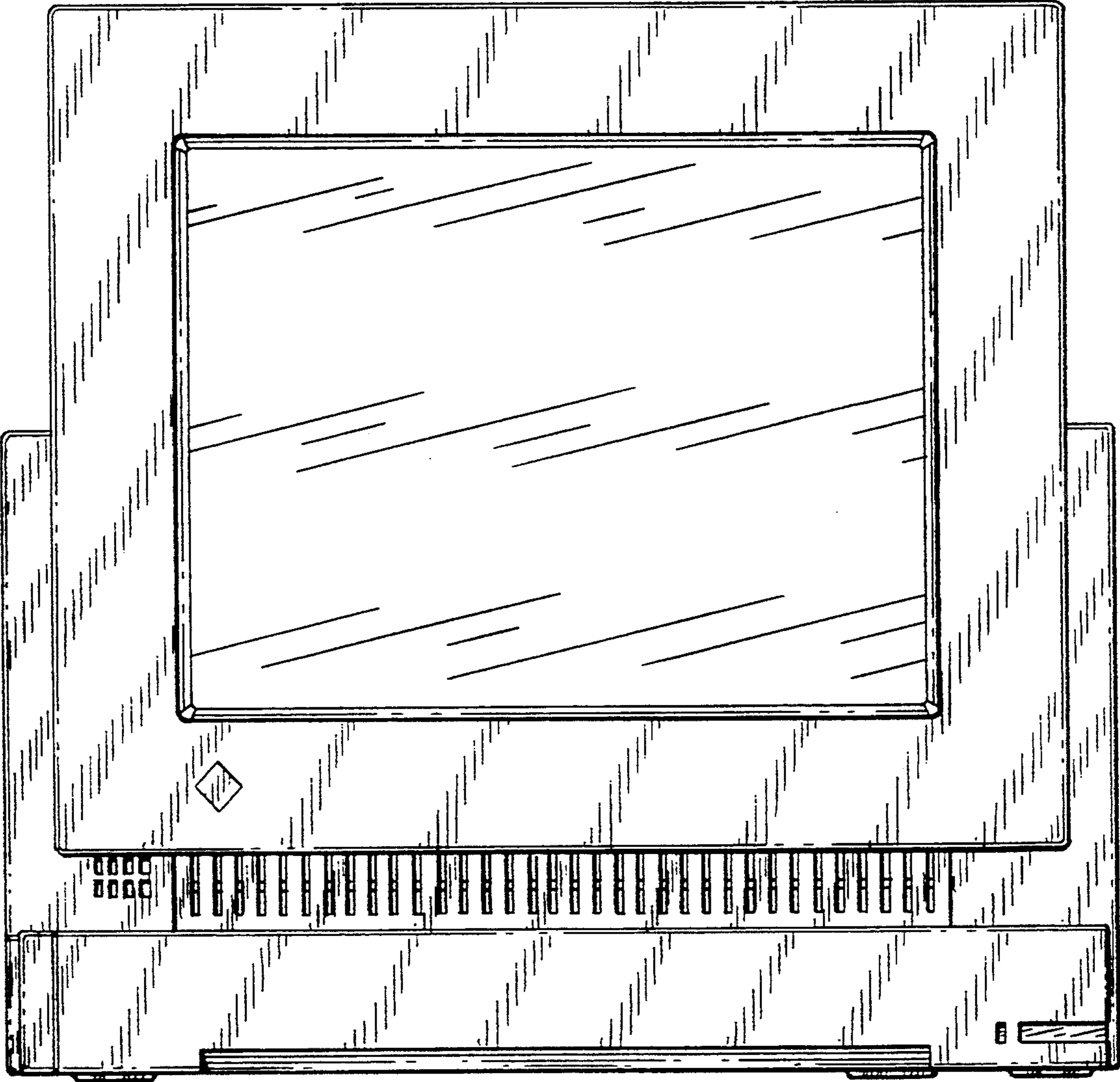


FIG. 3

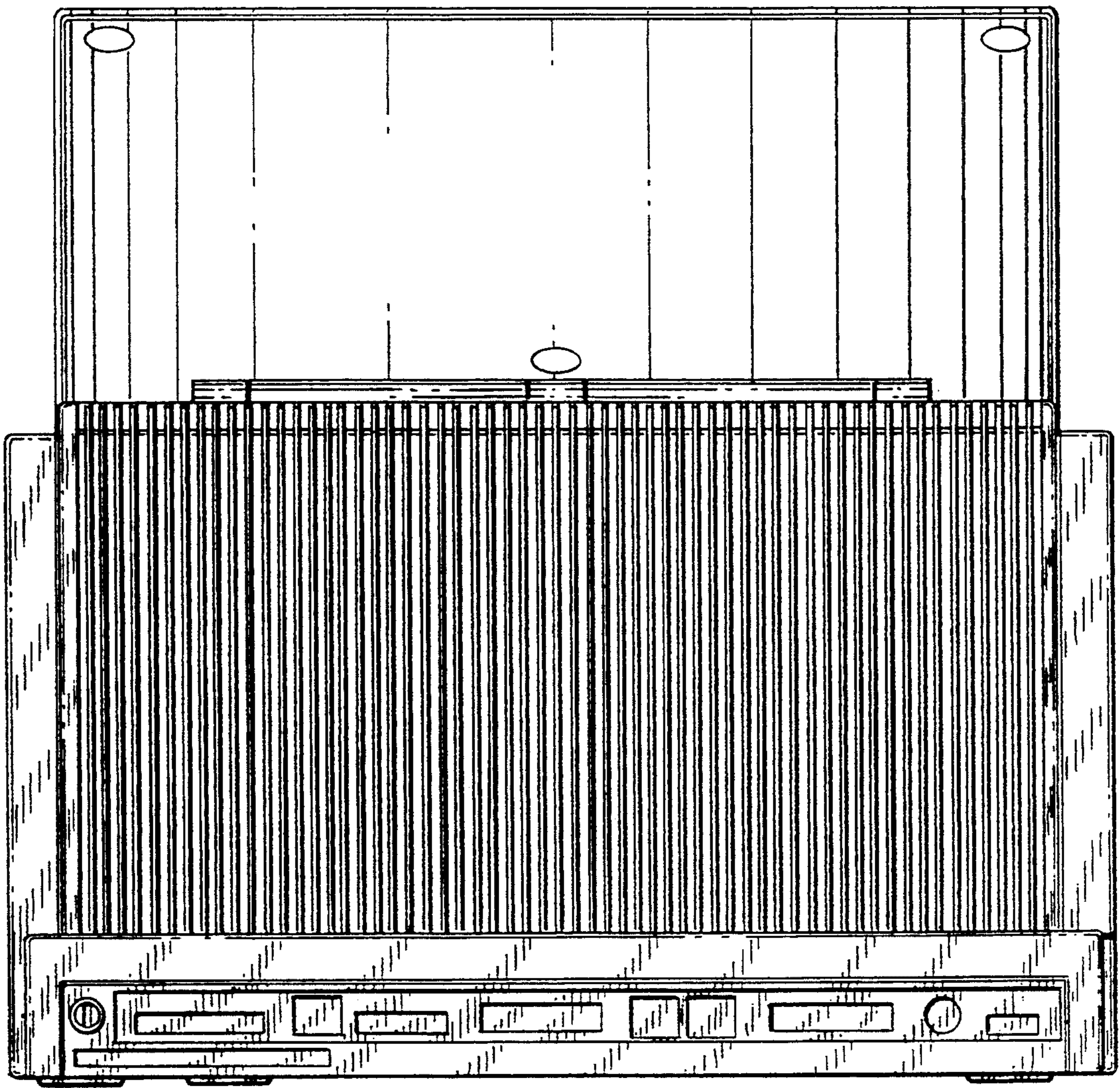


FIG. 4

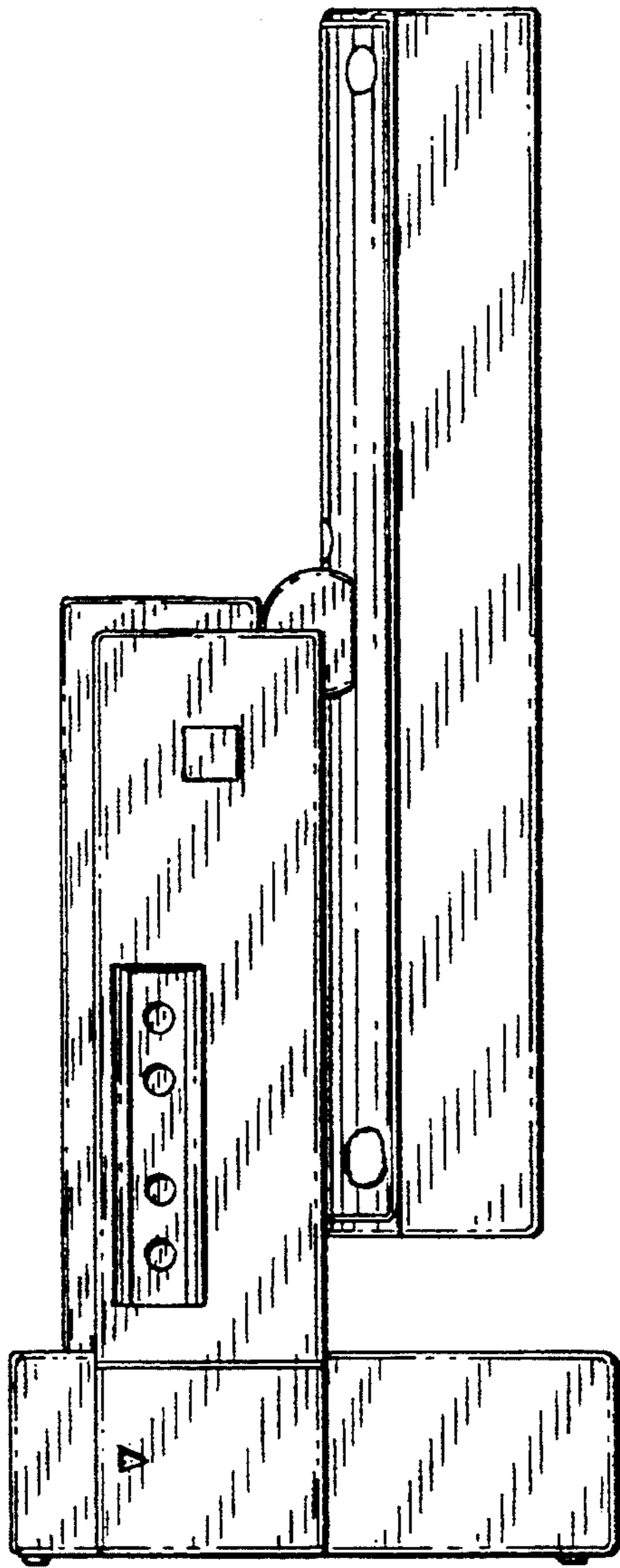


FIG. 5

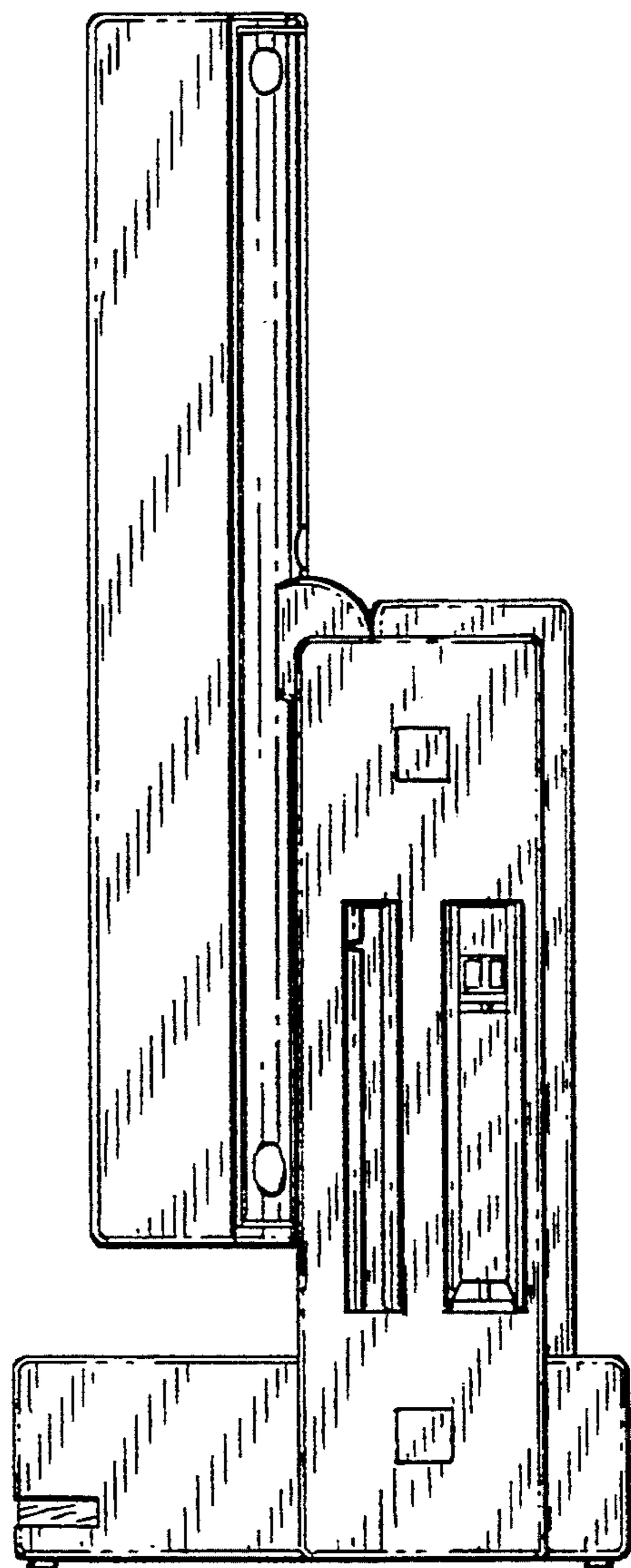


FIG. 6

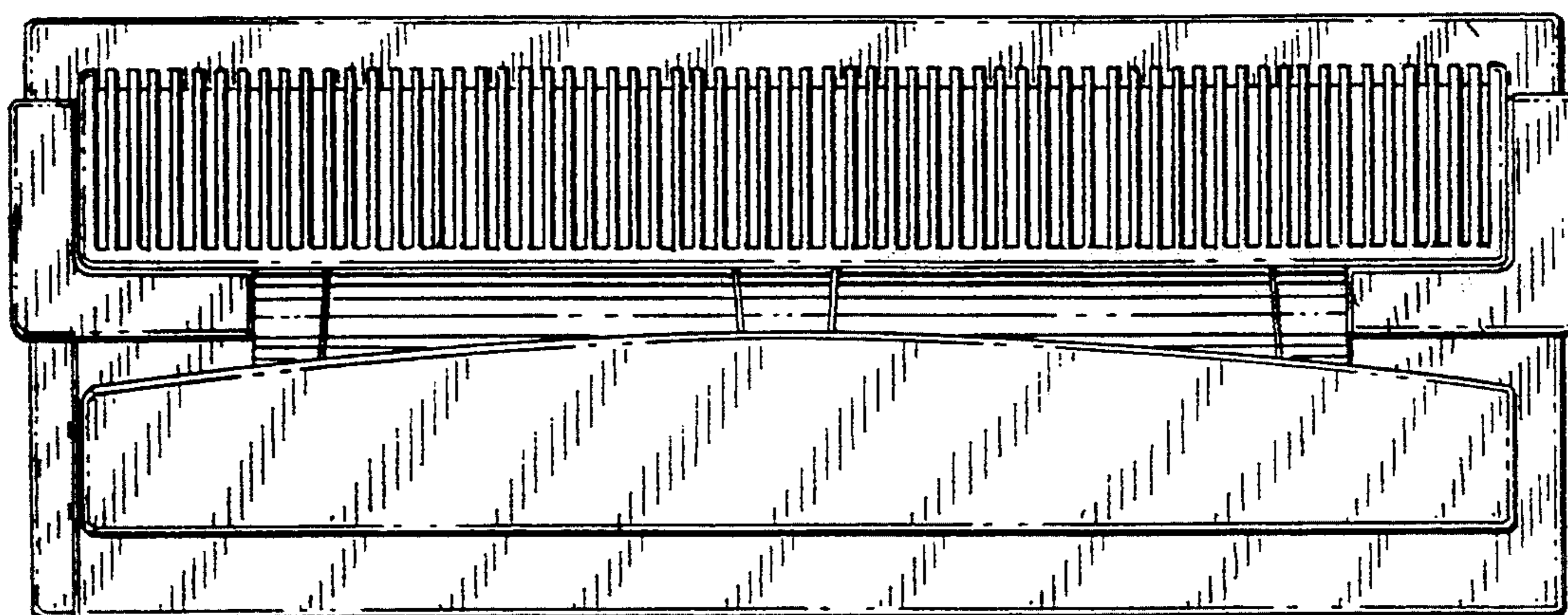


FIG. 7

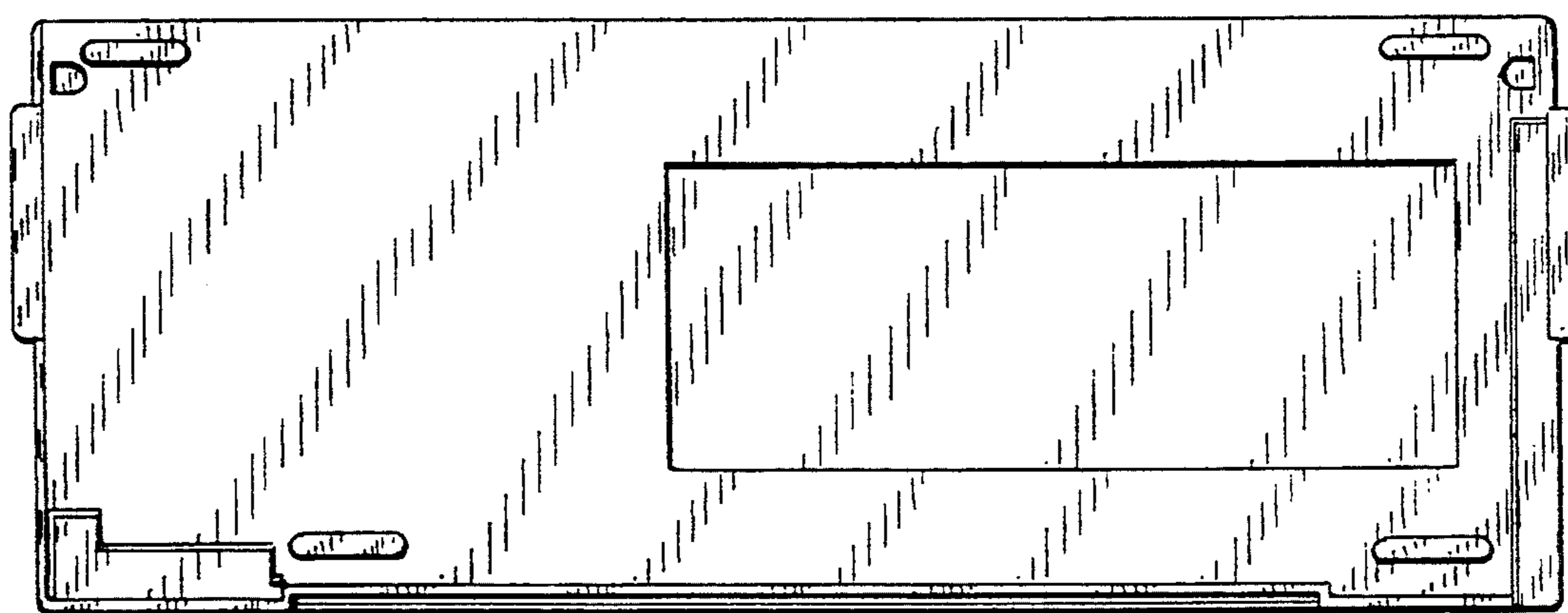


FIG. 8

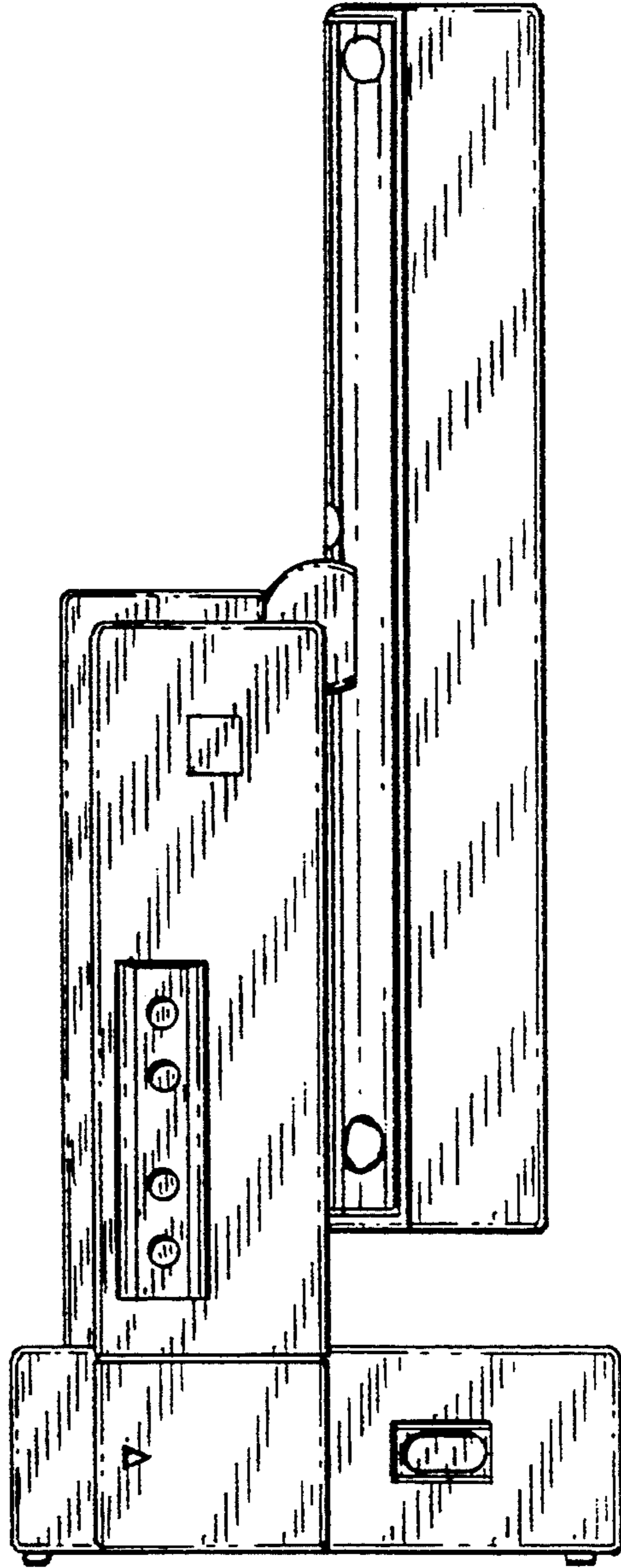


FIG. 9

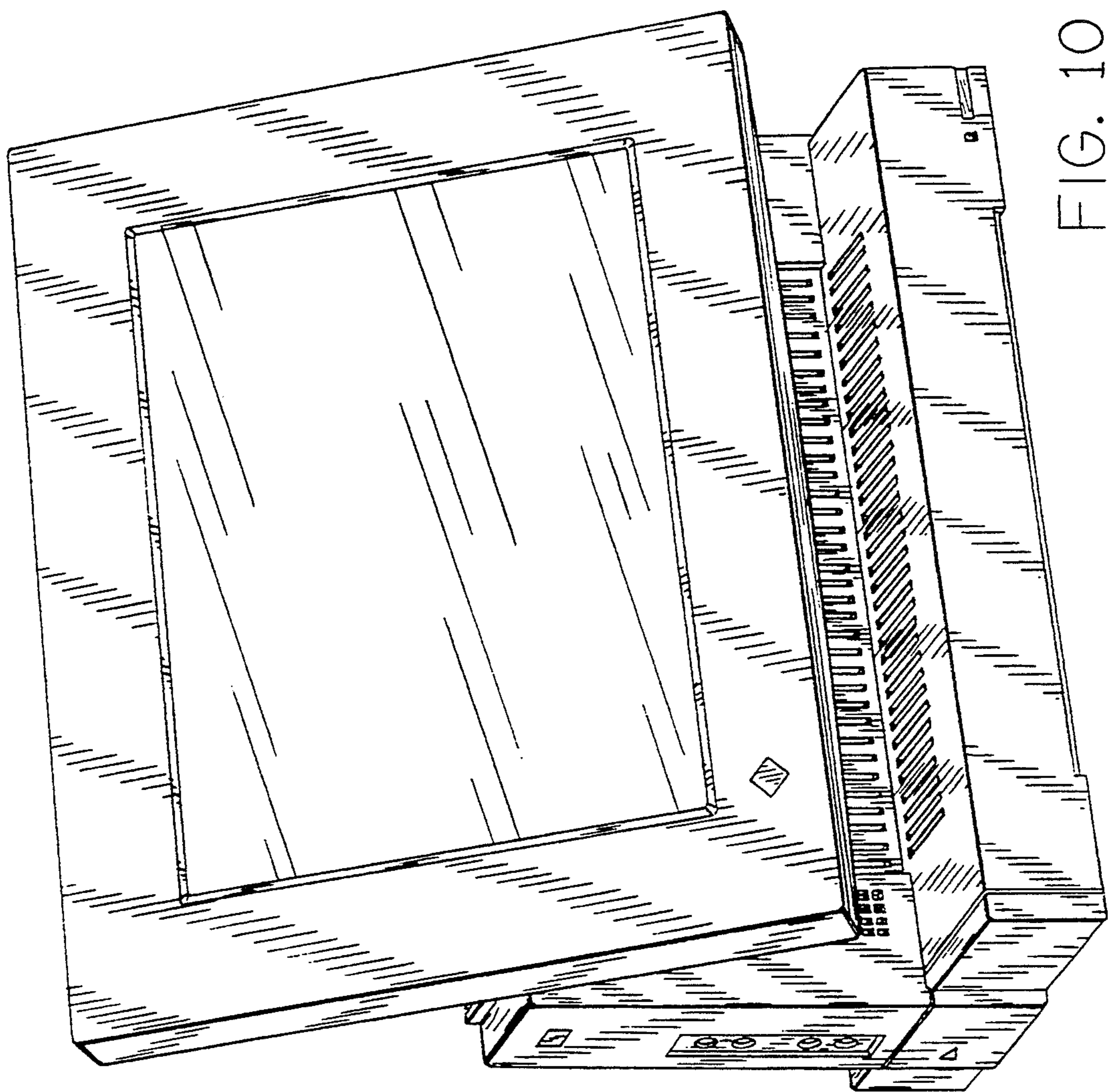


FIG. 10