



US00D362232S

United States Patent [19]

[11] Patent Number: **Des. 362,232**

Ryan

[45] Date of Patent: **** Sep. 12, 1995**

[54] **POWER SURGE PROTECTOR ASSEMBLAGE**

5,191,605 3/1993 Bower 379/412 X

[75] Inventor: **Barry D. Ryan, Coeur D'Alene, Id.**

[73] Assignee: **AC Data Systems of Idaho, Inc., Hayden Lake, Id.**

[**] Term: **14 Years**

[21] Appl. No.: **31,700**

[22] Filed: **Dec. 2, 1994**

[52] U.S. Cl. **D13/160**

[58] Field of Search **D13/160, 182; 361/111, 361/118, 119, 120, 124; 337/28, 29, 34; 379/412**

[56] **References Cited**

U.S. PATENT DOCUMENTS

D. 108,646	3/1938	LaVallee .	
D. 271,297	11/1983	Johnson	D13/24
D. 288,557	3/1987	Du Bois	D13/182
D. 288,801	3/1987	Marshall	D13/160
D. 290,598	6/1987	Jaffe et al.	D13/160
D. 290,836	7/1987	Oesterheld et al.	D13/41
D. 344,929	3/1994	Fesmire et al.	D13/160
3,900,767	8/1975	Person	D13/160 X
4,600,960	7/1986	Clark	361/118 X
4,794,485	12/1988	Bennett	361/127
5,089,929	2/1992	Hilland	361/111

OTHER PUBLICATIONS

Voltage suppressors on p. 65 of *Electrical Design* Apr. 30, 1897.

p. 11; Square D—Powerlink as Remote Power Switching System QO (B)—AS Circuit Breakers Square-D Product Catalog, Apr. 1993.

Primary Examiner—Joel Sincavage

Attorney, Agent, or Firm—Keith S. Bergman

[57] CLAIM

The ornamental design for power surge protector assemblage, as shown and described.

DESCRIPTION

FIG. 1 is an isometric surface view of design for power surge protector assemblage;

FIG. 2 is a front elevational view thereof;

FIG. 3 is a left side elevational view thereof;

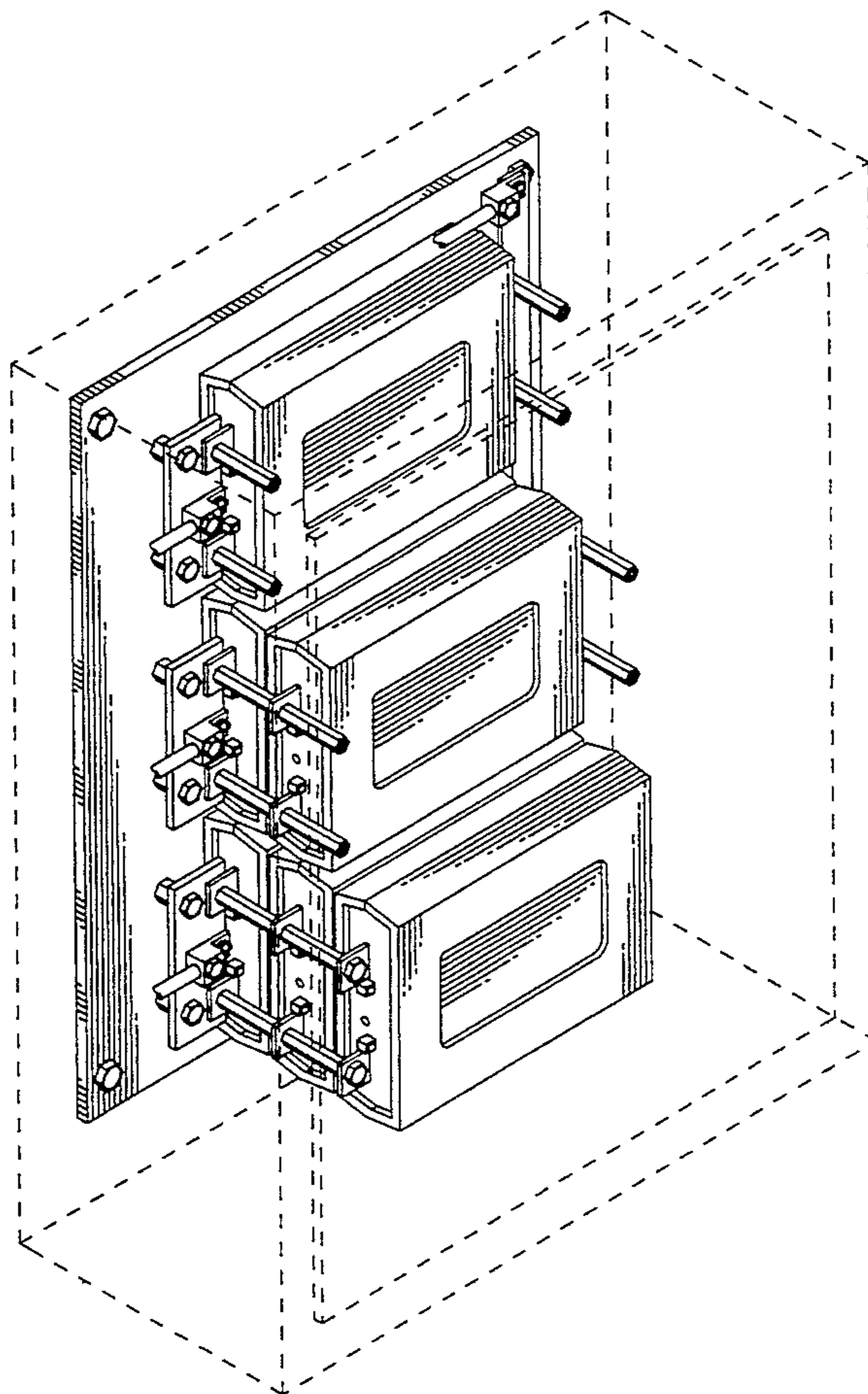
FIG. 4 is a top view thereof;

FIG. 5 is a rear elevational view thereof;

FIG. 6 is a right side elevational view thereof; and,

FIG. 7 is a bottom view thereof.

The broken line showing in FIG. 1 is included for the purpose of illustrating environmental structure only and forms no part of the claimed design.



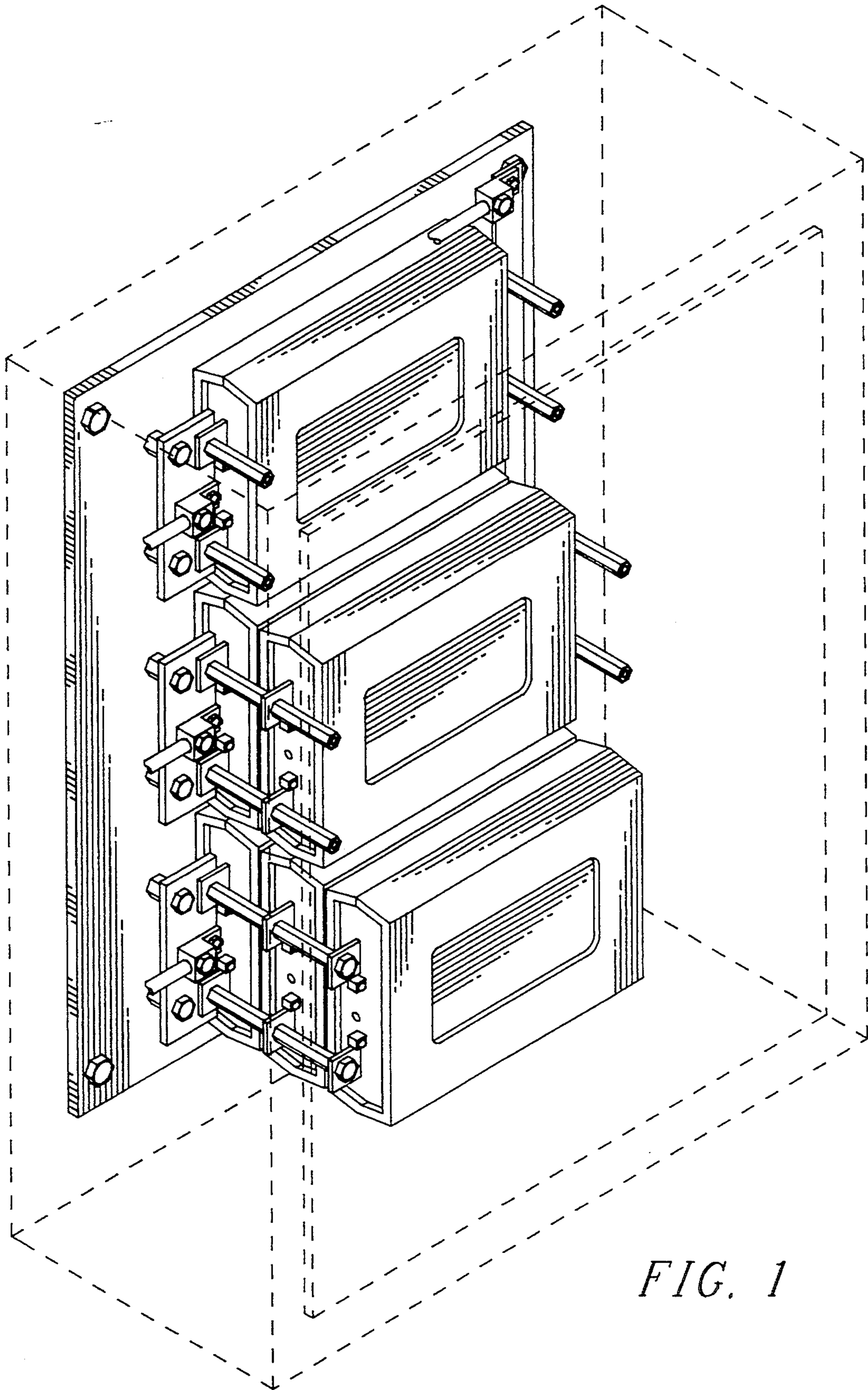


FIG. 1

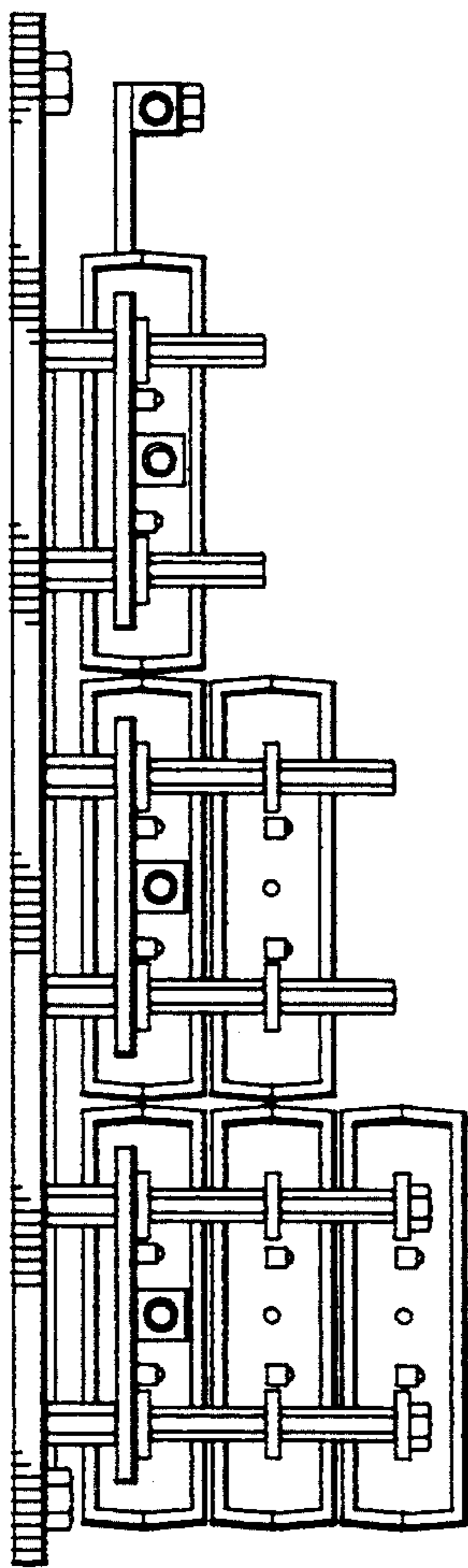


FIG. 3

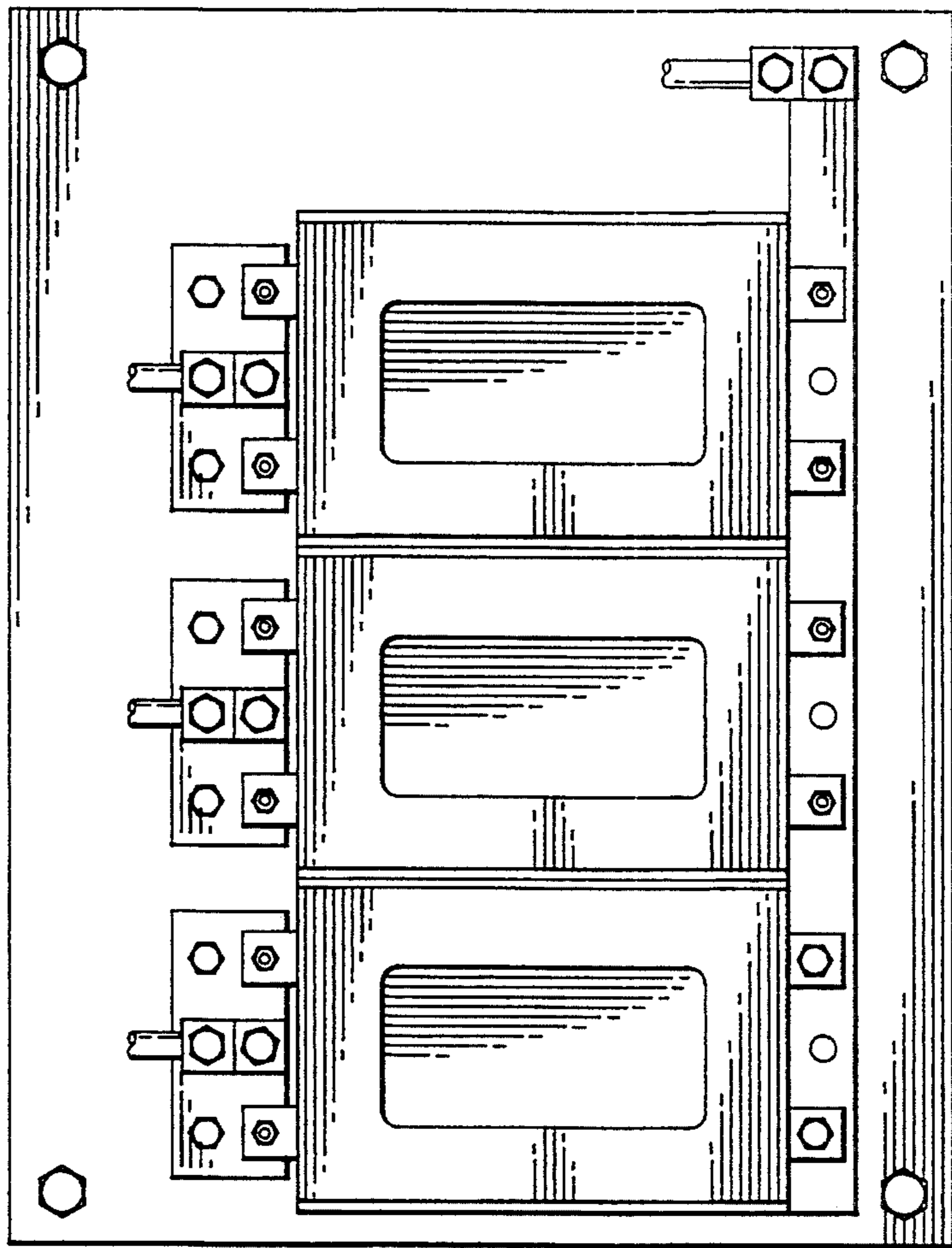


FIG. 2

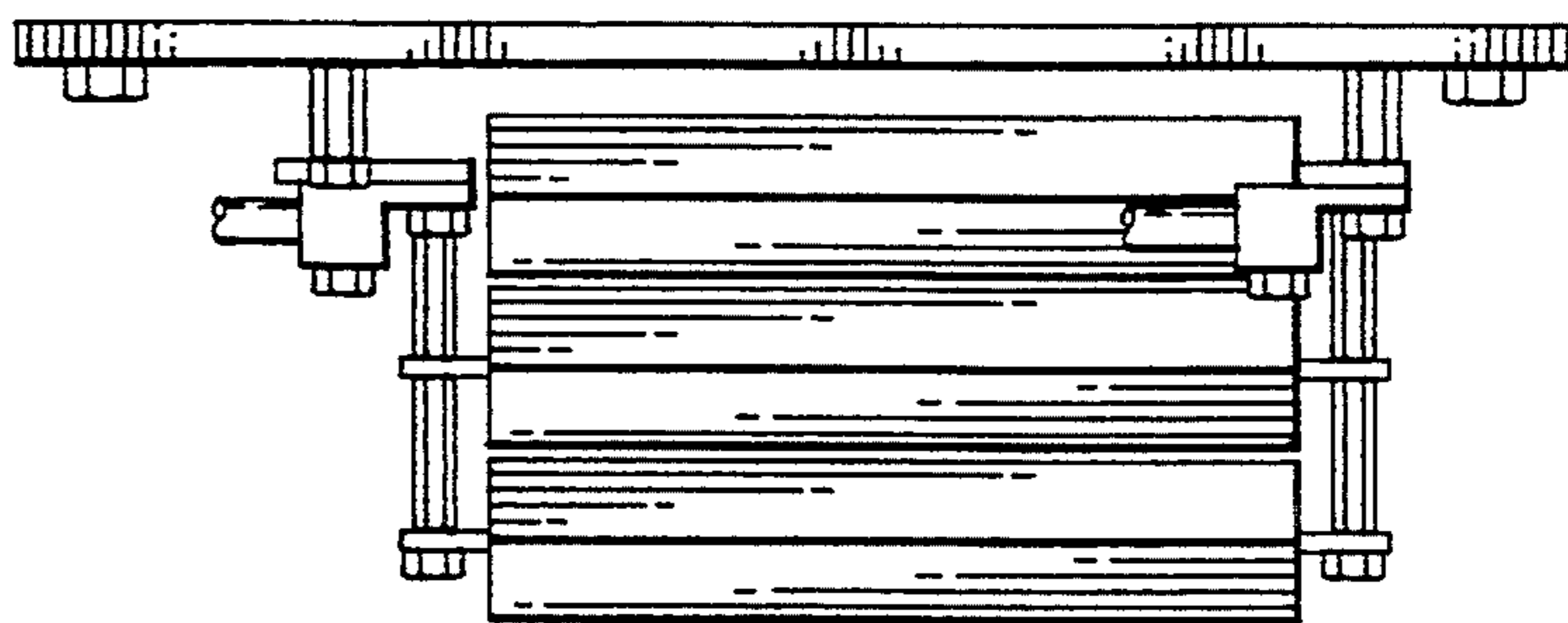


FIG. 4

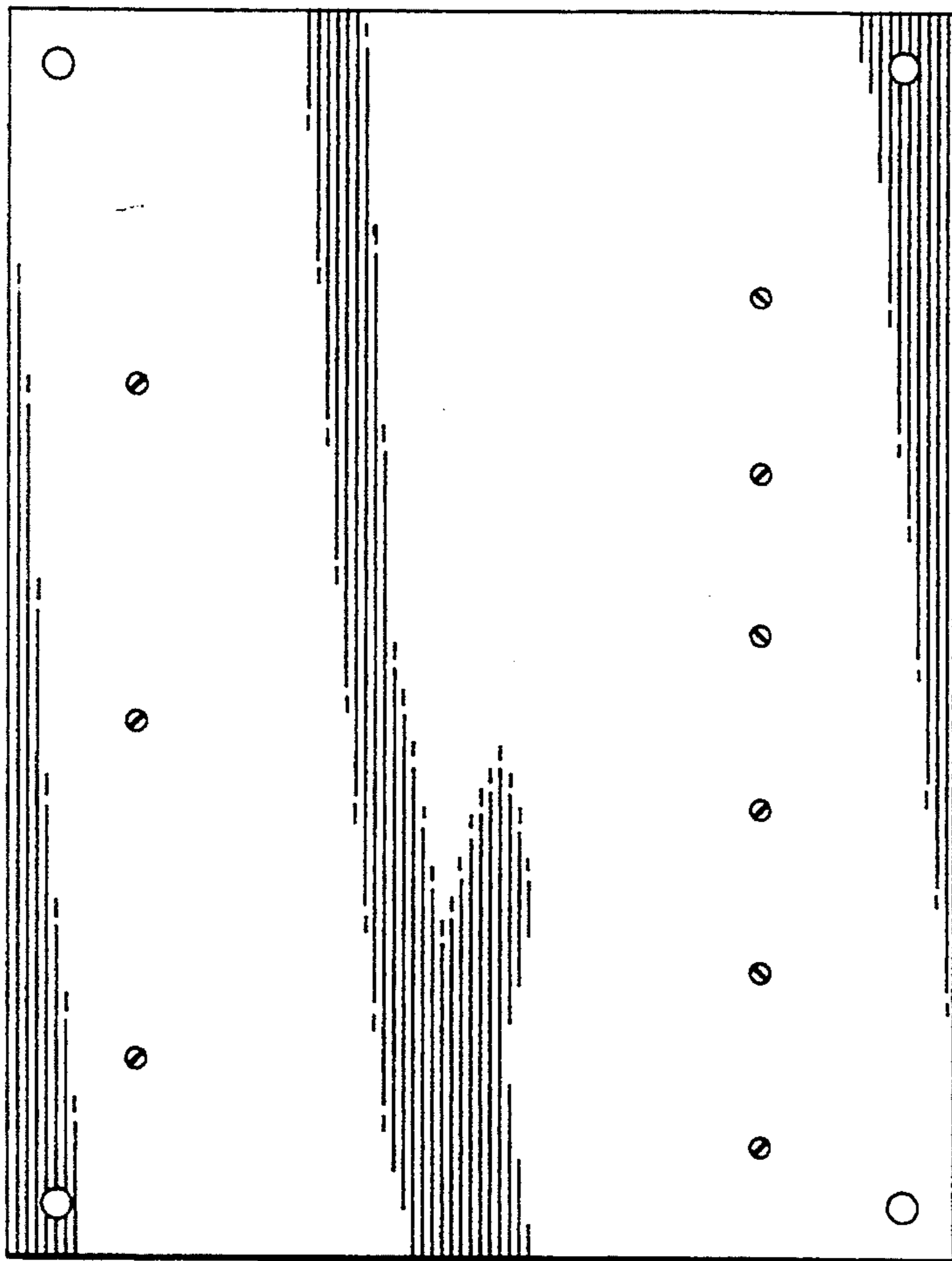


FIG. 5

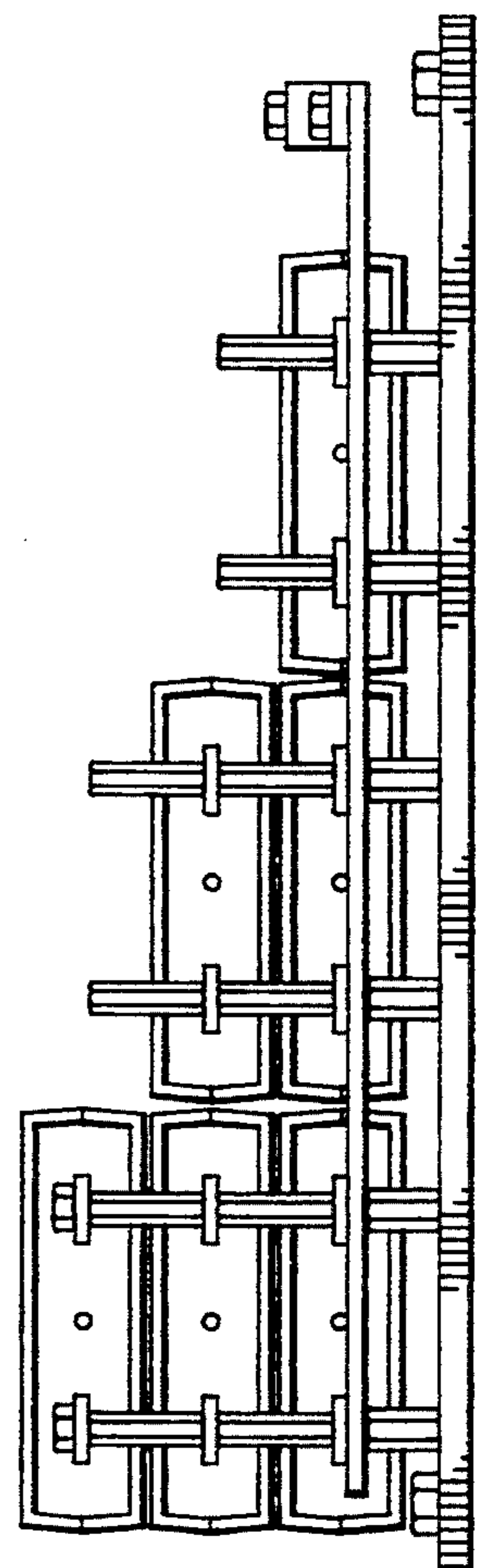


FIG. 6

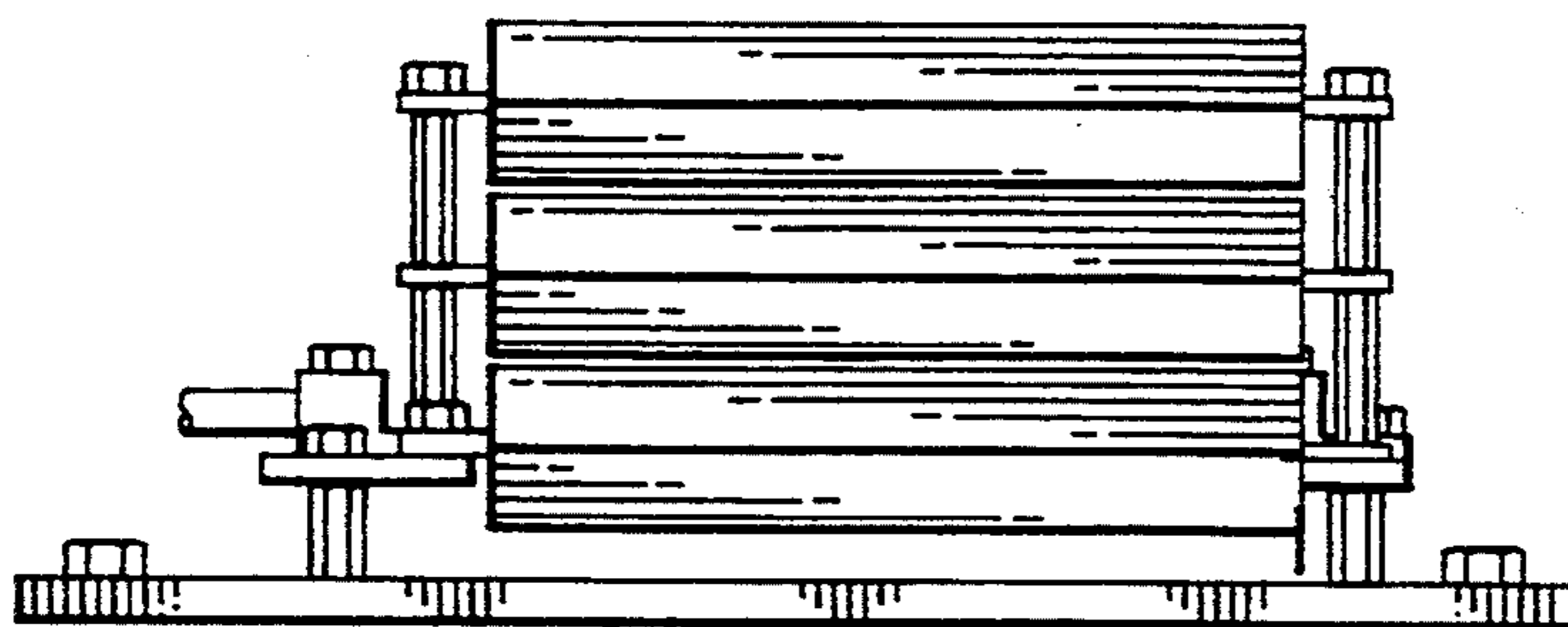


FIG. 7