



US00D362231S

# United States Patent [19]

[11] Patent Number: Des. 362,231

Chen

[45] Date of Patent: \*\* Sep. 12, 1995

[54] MODULE JACK BASE FOR A WALL PLATE

[76] Inventor: Feng-Chin Chen, 3, Fl., 3 Lane 13, Hsiu-an St., Yungho, Taipei County, Taiwan

[\*\*] Term: 14 Years

[21] Appl. No.: 10,155

[22] Filed: Jul. 1, 1993

[52] U.S. Cl. .... D13/147; D14/256

[58] Field of Search ..... D13/133, 146, 147; D14/256; 439/344, 521, 535, 536, 538, 544, 569, 571, 676

[56] **References Cited**

**U.S. PATENT DOCUMENTS**

D. 270,247	8/1983	Sampson et al. ....	D14/256
D. 274,143	6/1984	Topel .....	D14/256
D. 294,690	3/1988	Below et al. ....	D14/256
4,040,699	8/1977	Rasmussen .....	439/344
4,473,265	9/1984	Dellinger et al. ....	439/521 X
4,647,725	3/1987	Dellinger et al. ....	439/544 X

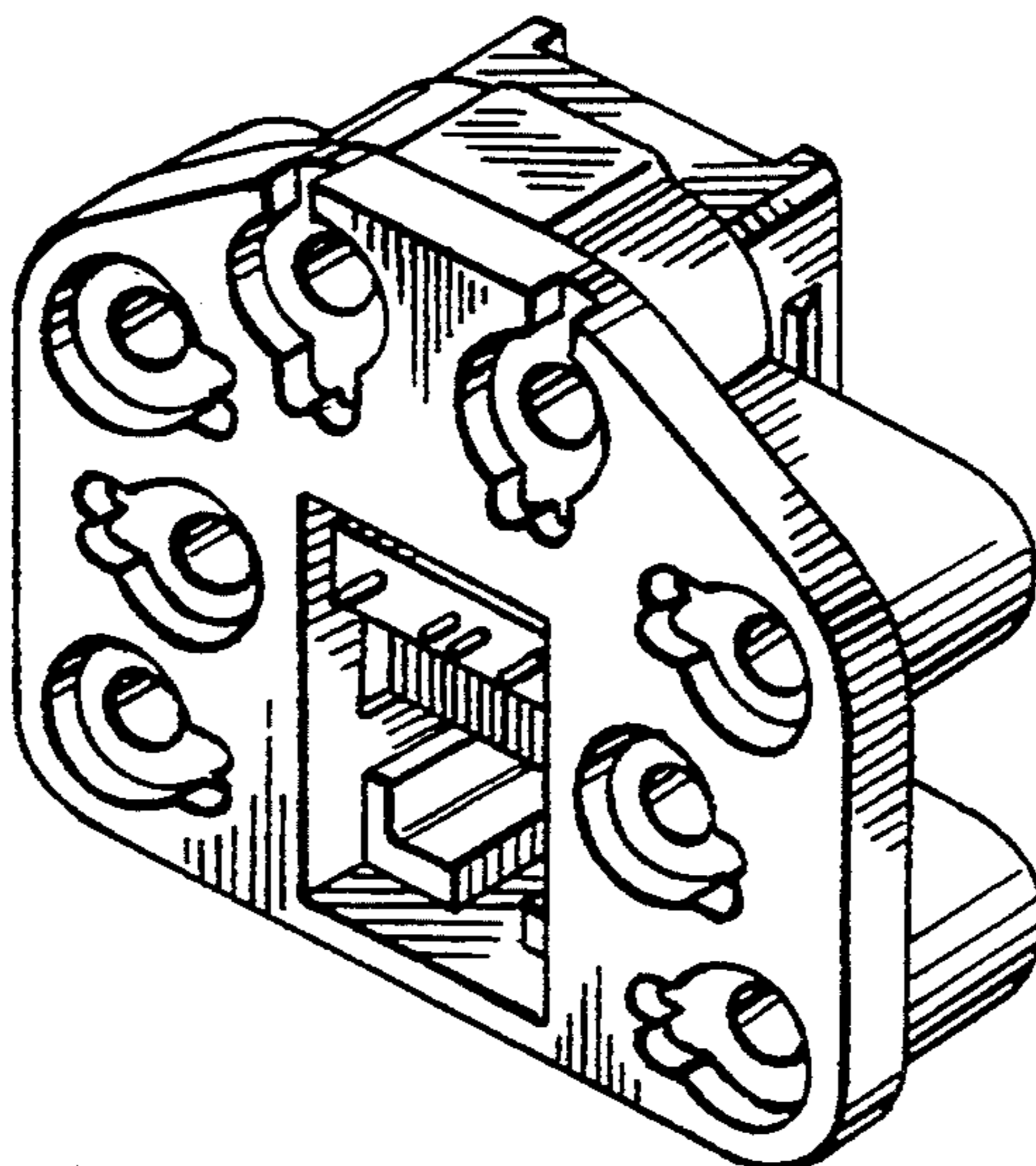
Primary Examiner—Joel Sincavage  
Attorney, Agent, or Firm—Jacobson, Price, Holman & Stern

[57] **CLAIM**

The ornamental design for the modular jack base for a wall plate, as shown and described.

**DESCRIPTION**

FIG. 1 is a front perspective view of the modular jack base for a wall plate embodying my design; FIG. 2 is a rear perspective view of the modular jack base for a wall plate as shown in FIG. 1; FIG. 3 is a front elevational view of the modular jack base for a wall plate as shown in FIG. 1; FIG. 4 is a rear elevational view of the modular jack base for a wall plate as shown in FIG. 1; FIG. 5 is a right and left side elevational view of the modular jack base for a wall plate as shown in FIG. 1; FIG. 6 is a top plan view of the modular jack base for a wall plate as shown in FIG. 1; and, FIG. 7 is a bottom view of the modular jack base for a wall plate as shown in FIG. 1.



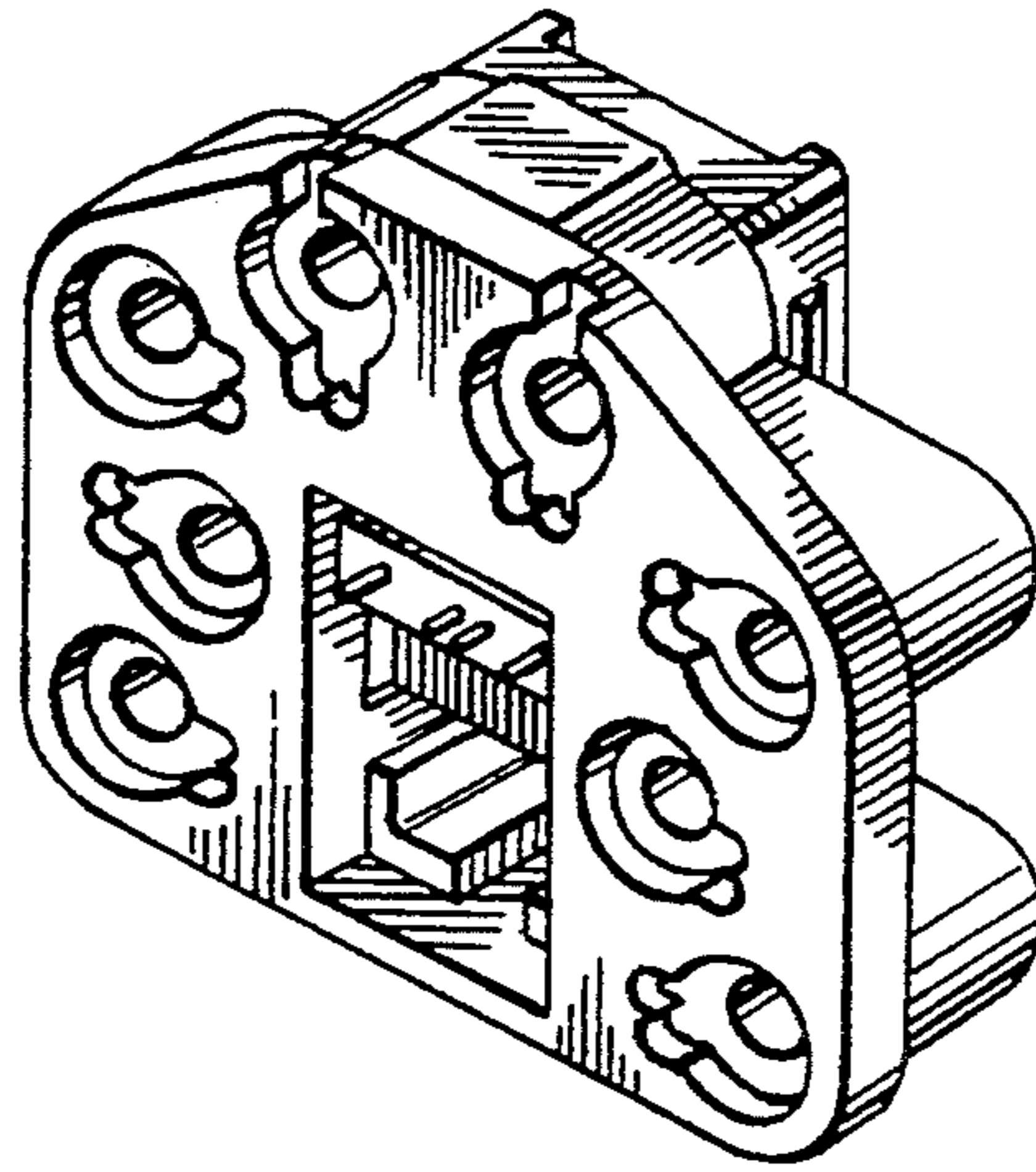


FIG. 1

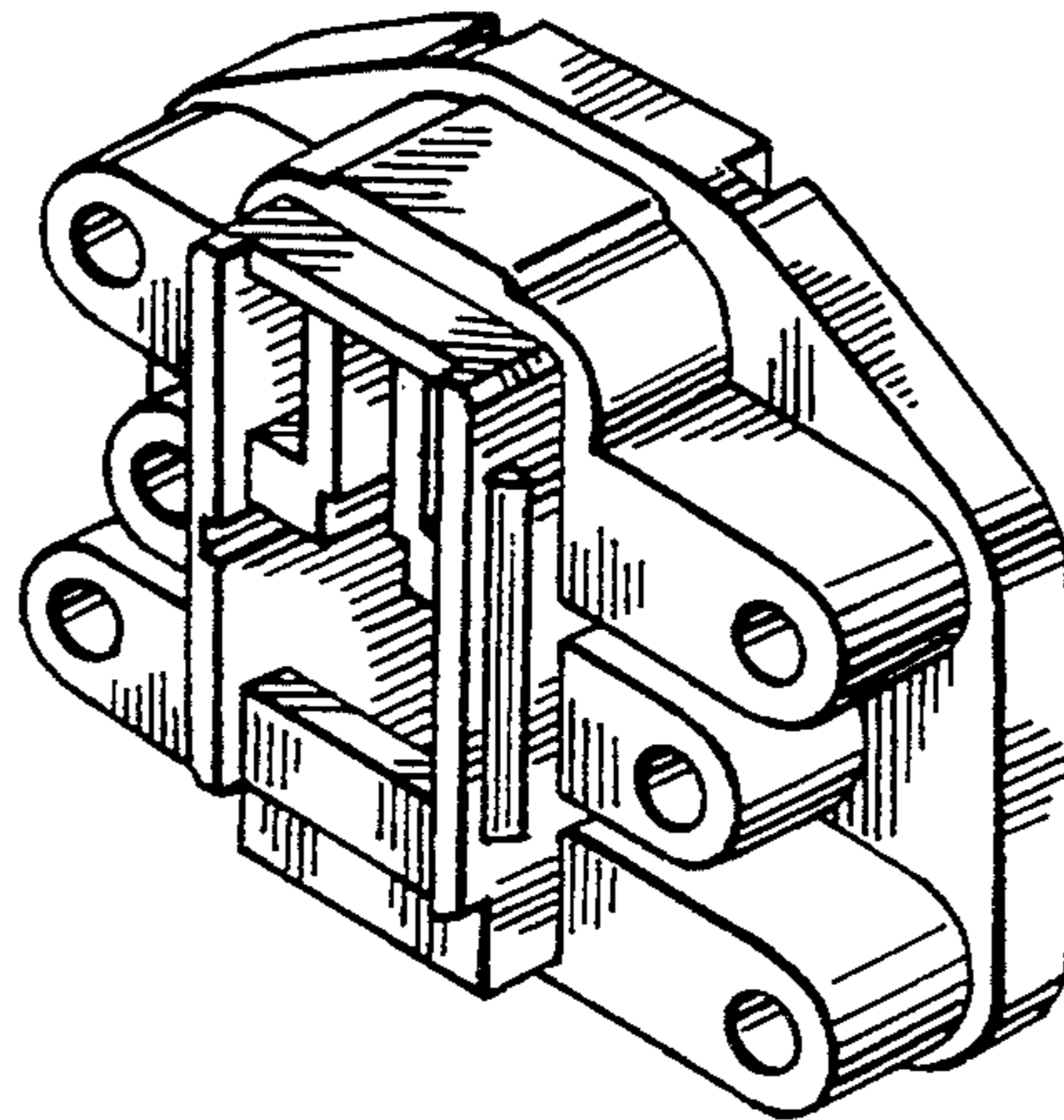


FIG. 2

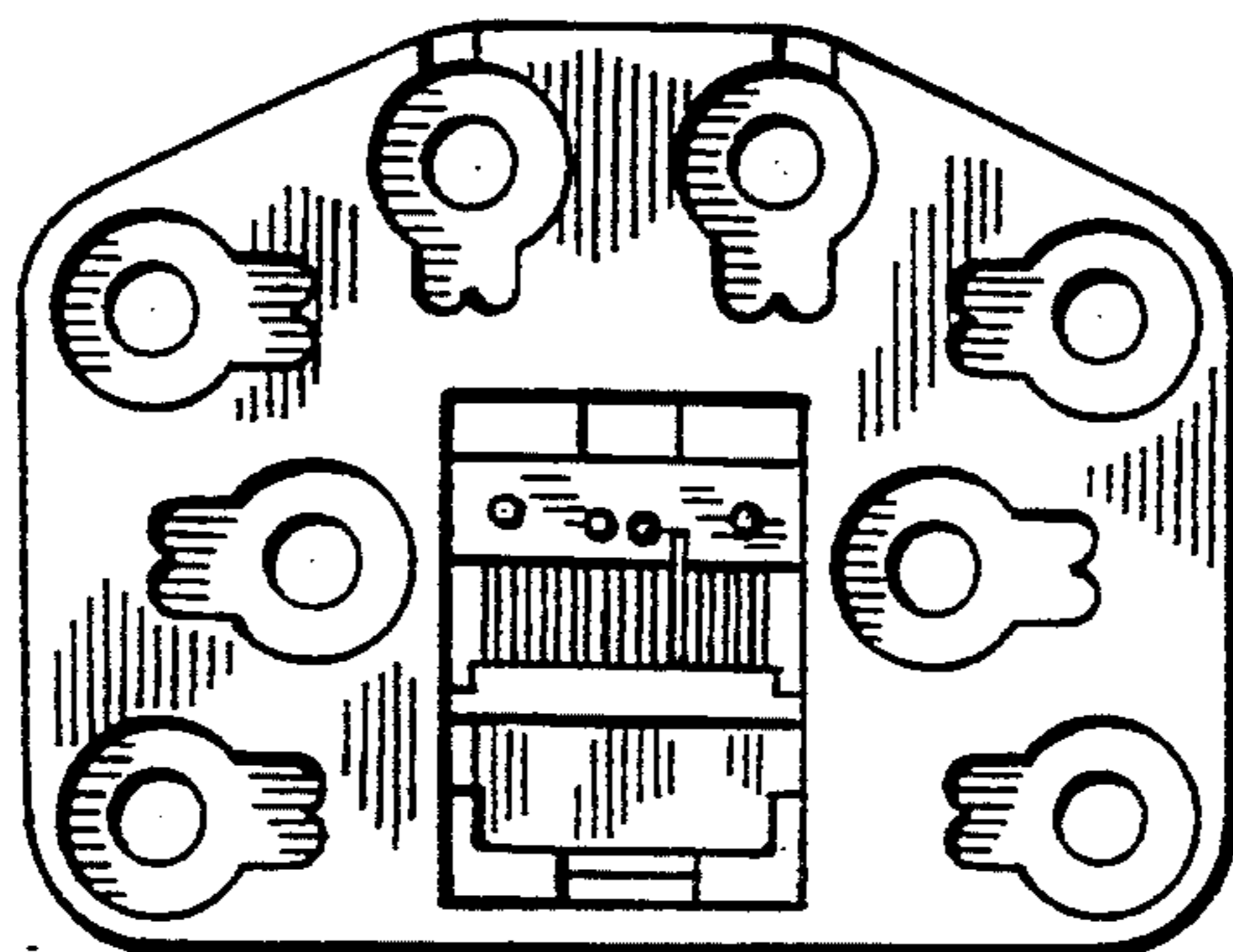


FIG. 3

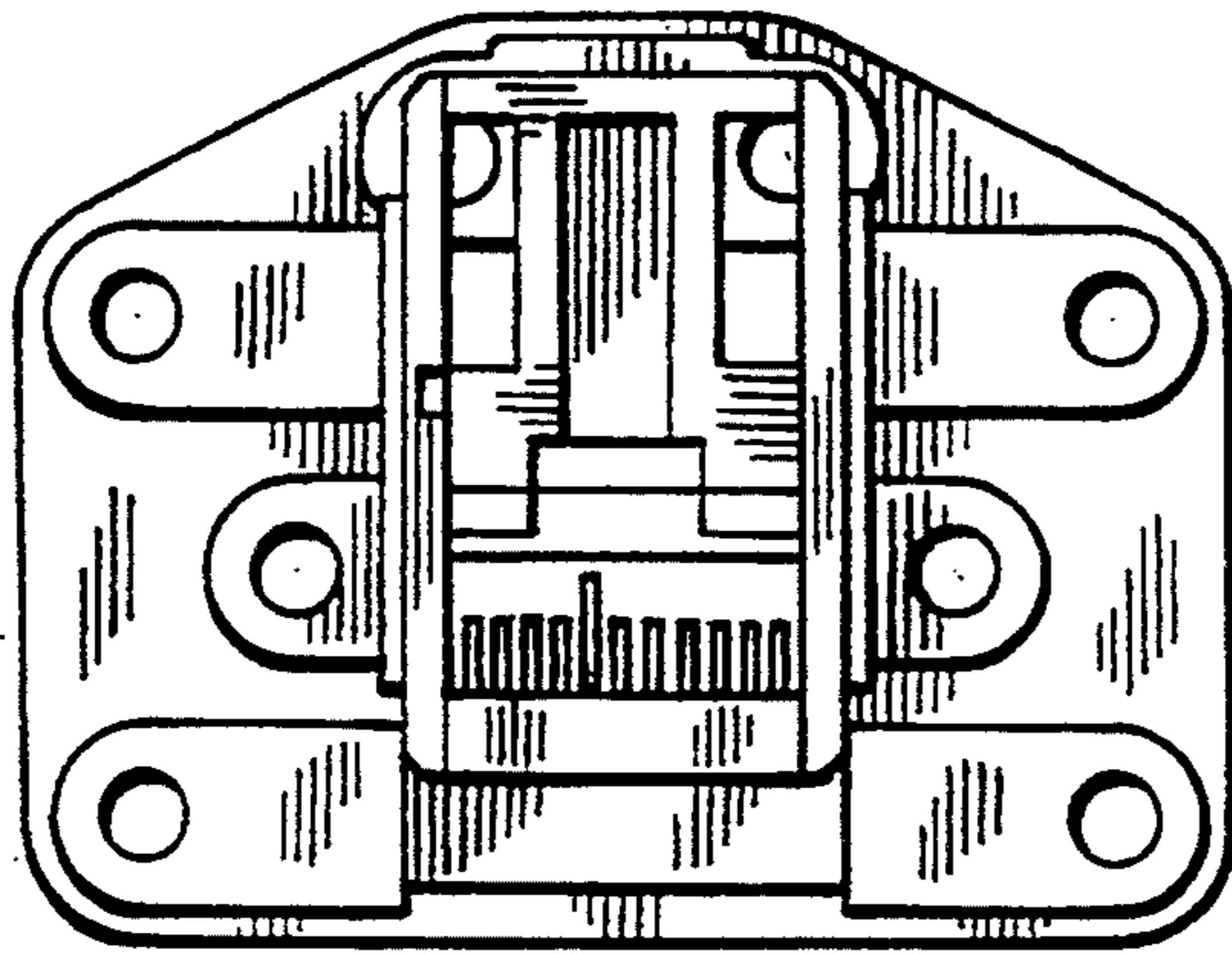


FIG. 4

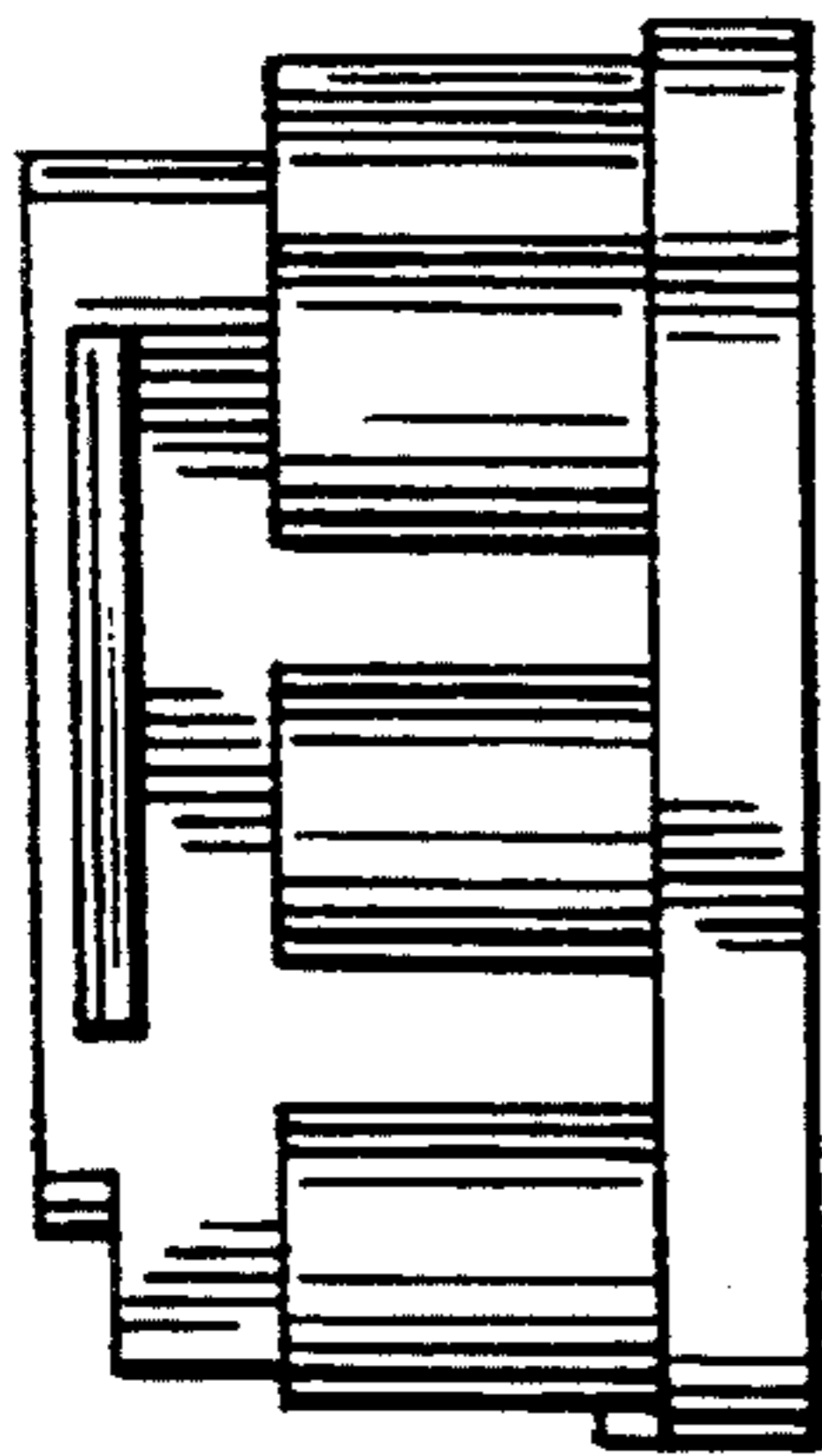


FIG. 5

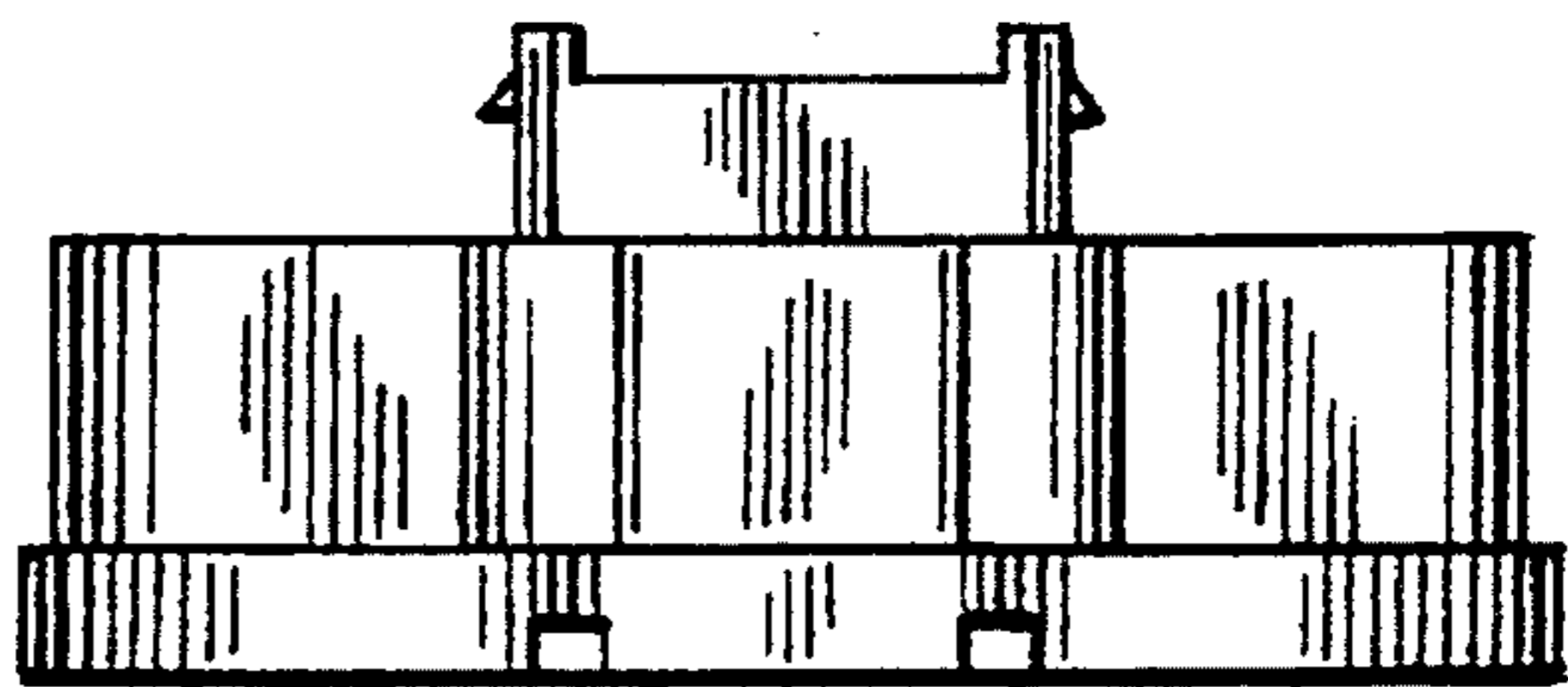


FIG. 6

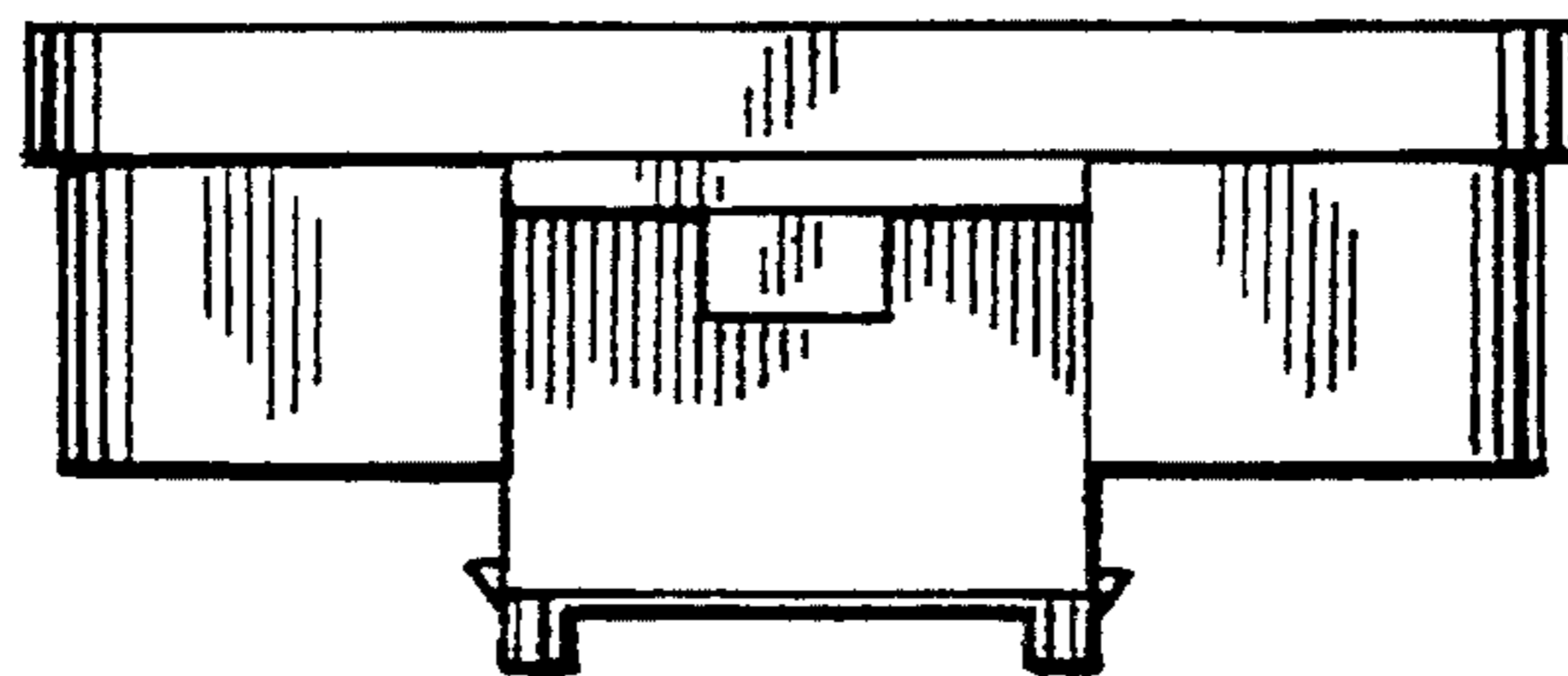


FIG. 7