



US00D36227S

United States Patent [19]

[11] Patent Number: **Des. 362,227**

Richards et al.

[45] Date of Patent: **** Sep. 12, 1995**

[54] **INSERT PORTION OF A BATTERY CHARGER FOR A PORTABLE RADIO**

[75] Inventors: **Scott H. Richards**, Plantation; **Bruce A. Claxton**, Coral Springs, both of Fla.

[73] Assignee: **Motorola, Inc.**, Schaumburg, Ill.

[**] Term: **14 Years**

[21] Appl. No.: **21,509**

[22] Filed: **Apr. 19, 1994**

| | | | | |
|------------|---------|-----------------|-------|---------|
| D. 278,228 | 4/1985 | Liautaud et al. | | D13/107 |
| D. 289,996 | 5/1987 | Oord | | D13/108 |
| D. 297,827 | 9/1988 | Lay | | D13/6 |
| D. 298,119 | 10/1988 | Richards et al. | | D13/6 |
| D. 327,248 | 6/1992 | Hotsumi et al. | | D13/108 |
| 4,558,270 | 12/1985 | Liautaud et al. | | 320/2 |
| 4,588,938 | 5/1986 | Liautaud et al. | | 320/2 |
| 5,065,082 | 11/1991 | Fushiya | | 320/2 |

Primary Examiner—Joel Sincavage
Attorney, Agent, or Firm—Dale W. Dorinski

[57] CLAIM

The ornamental design for an insert portion of battery charger, as shown and described.

DESCRIPTION

FIG. 1 is a top plan view of an insert portion of a battery charger for a portable radio showing our new design; FIG. 2 is a front elevational view thereof; FIG. 3 is a left side elevational view thereof; FIG. 4 is a right side elevational view thereof; and, FIG. 5 is a front and upper right perspective view thereof.

The broken line showing throughout the drawing figures is included for the purpose of illustrating environmental structure only and forms no part of the claimed design.

Related U.S. Application Data

[62] Division of Ser. No. 8,968, May 27, 1993.

[52] U.S. Cl. **D13/108**

[58] Field of Search D13/107, 108, 110;
320/1, 2, 3, 4, 5, 15, 21

References Cited

U.S. PATENT DOCUMENTS

| | | | | |
|------------|--------|------------------|-------|---------|
| D. 201,862 | 8/1965 | Johnson et al. | | D13/108 |
| D. 204,881 | 5/1966 | Cook | | D13/108 |
| D. 206,590 | 1/1967 | Haggstrom et al. | | D26/15 |
| D. 274,903 | 7/1984 | Eckmann et al. | | D13/107 |
| D. 275,482 | 9/1984 | Coons et al. | | D14/60 |

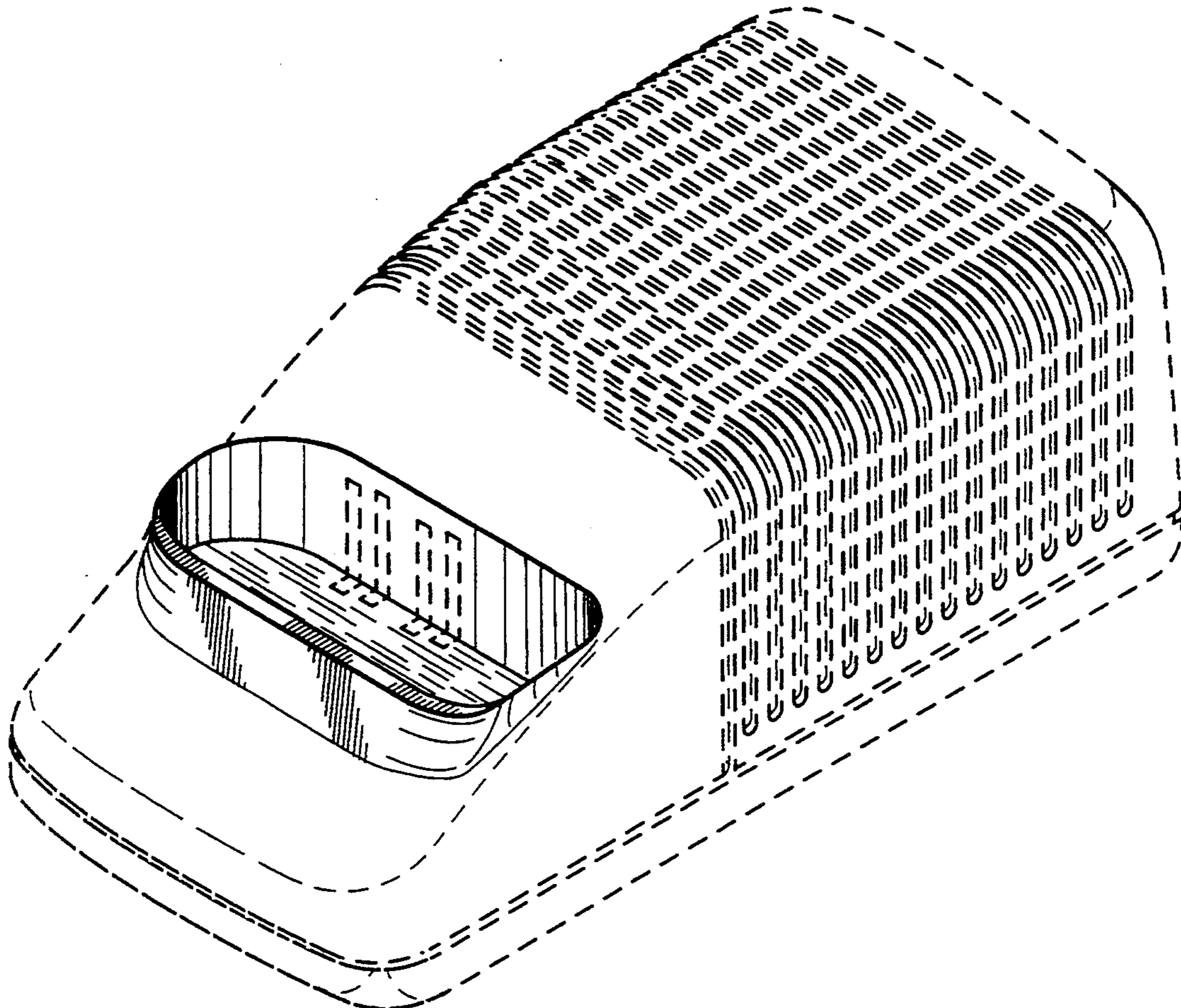


FIG. 1

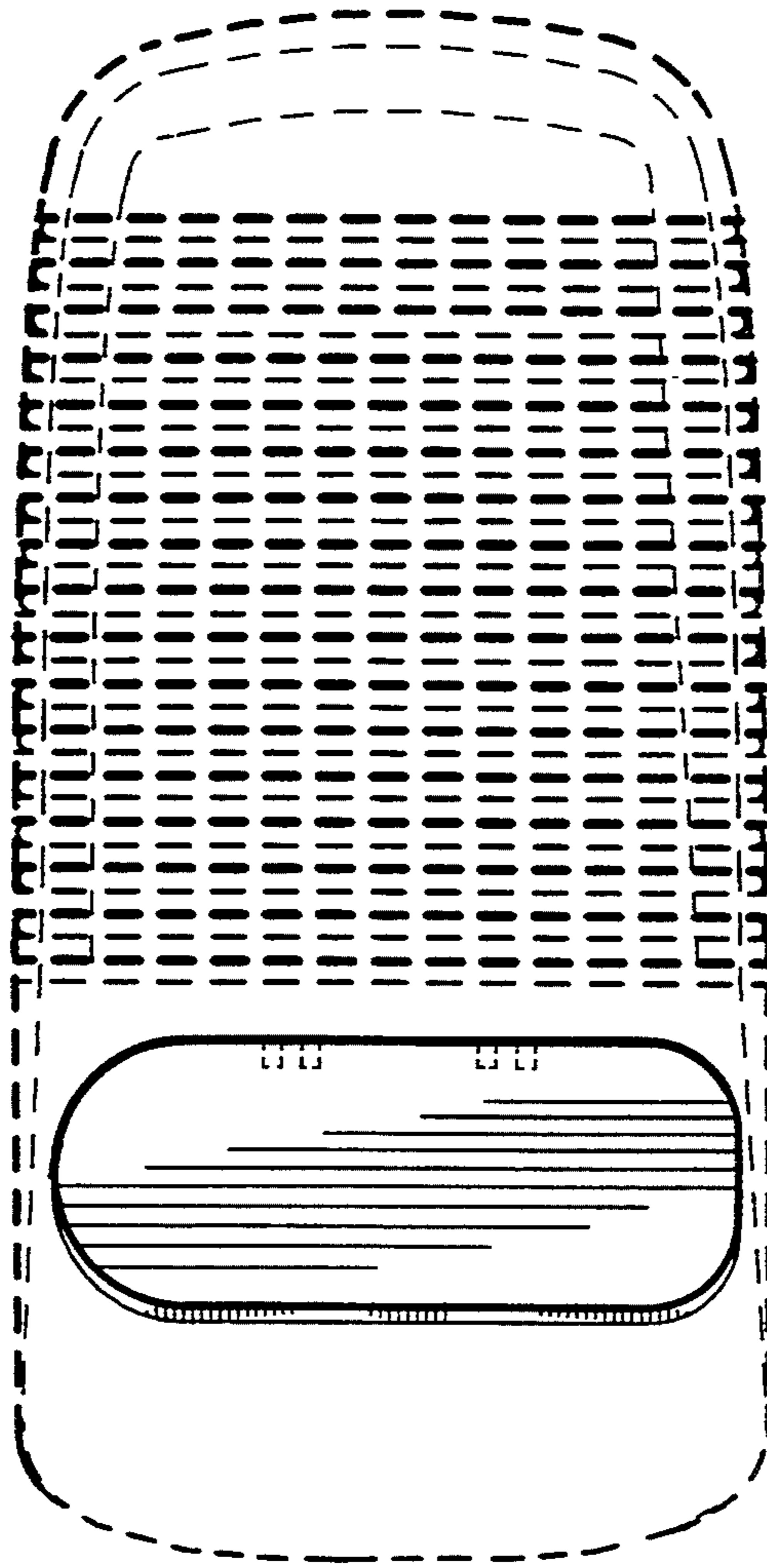


FIG. 2

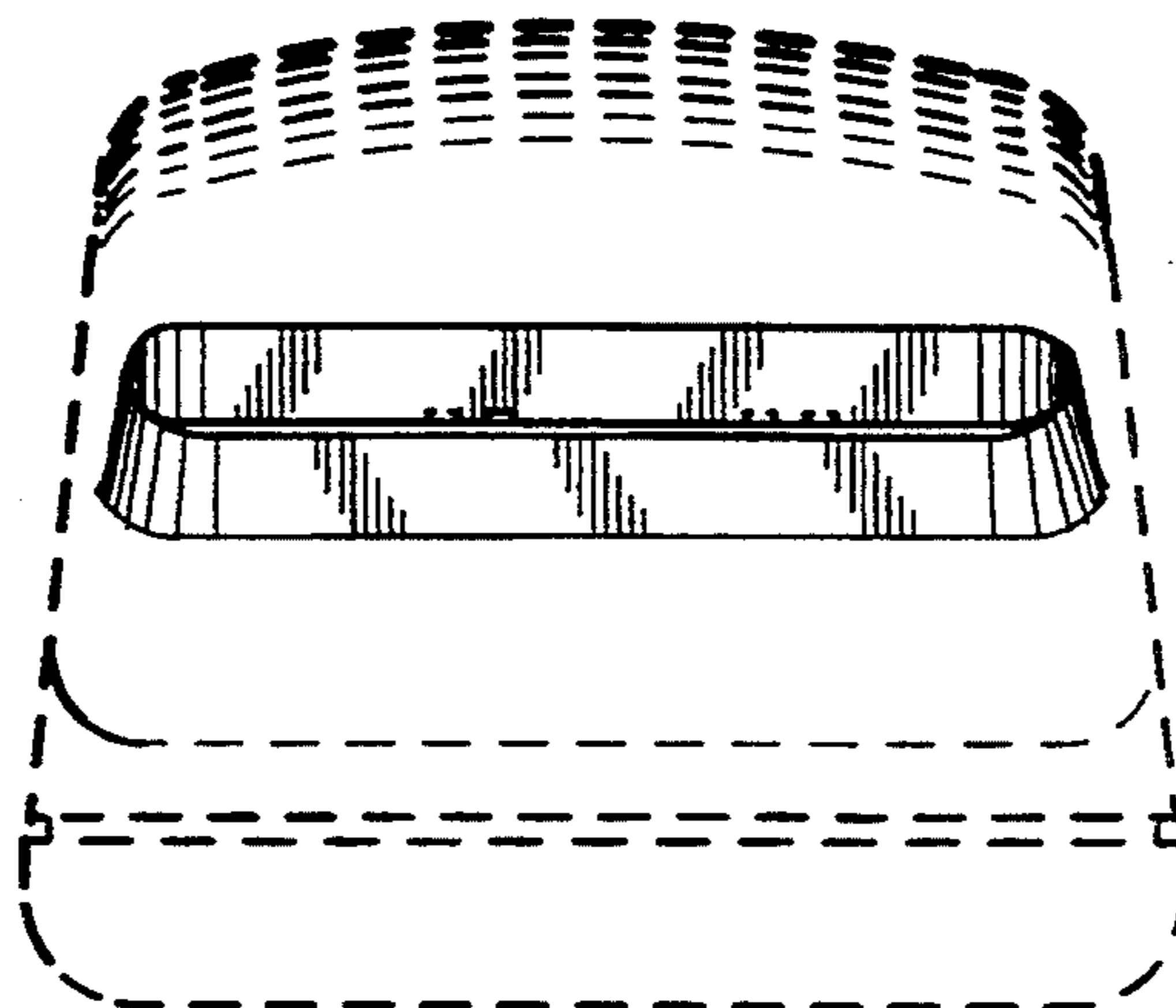


FIG. 3

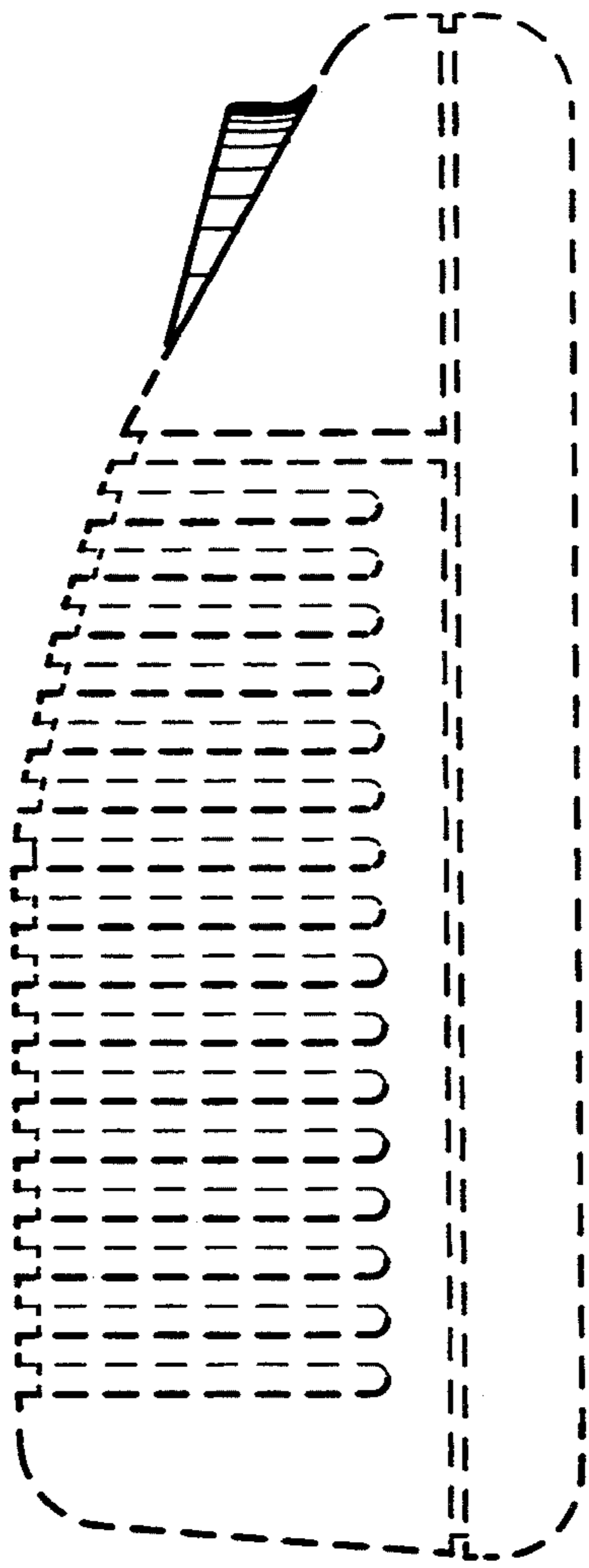


FIG. 4

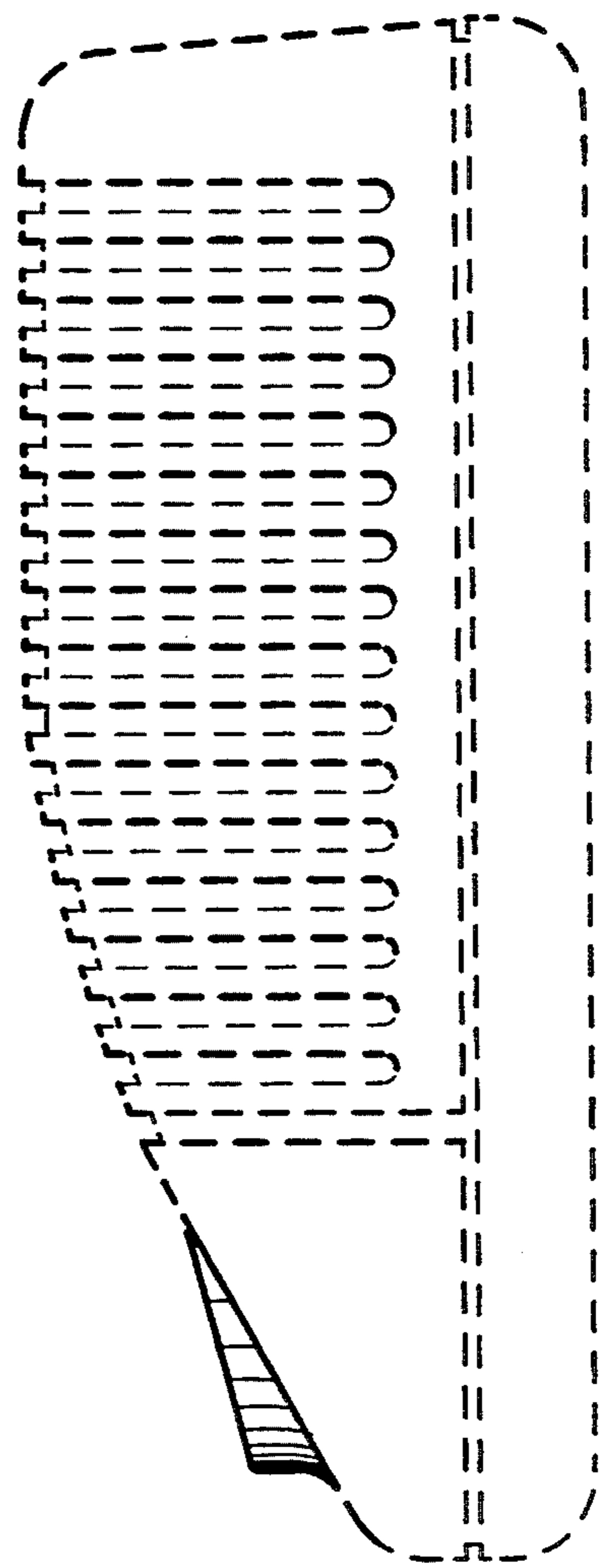


FIG. 5

