



US00D362226S

United States Patent [19]

[11] Patent Number: **Des. 362,226**

Sacks et al.

[45] Date of Patent: **** Sep. 12, 1995**

[54] ANTI-SPLASH GUARD

4,877,267 10/1989 Leonard 280/848

[76] Inventors: **Edward J. Sacks**, P.O. Box 20806, Billings, Mont. 59102; **Robert E. Varner**, Box 637, Victor, Mont. 59875

Primary Examiner—A. Hugo Word
Assistant Examiner—M. Brown
Attorney, Agent, or Firm—Richard C. Conover

[**] Term: **14 Years**

[57] **CLAIM**

The ornamental design for an anti-splash guard, as shown and described.

[21] Appl. No.: **7,358**

DESCRIPTION

[22] Filed: **Apr. 20, 1993**

[52] U.S. Cl. **D12/185**

[58] Field of Search D12/185; 280/848, 849, 280/851

FIG. 1 is a perspective view of an anti-splash guard showing our new design, the broken lines are shown for illustrative purposes only and form no part of the claimed design;

FIG. 2 is a front elevational view of the present invention;

FIG. 3 is a rear elevational view of the present invention shown in FIG. 2;

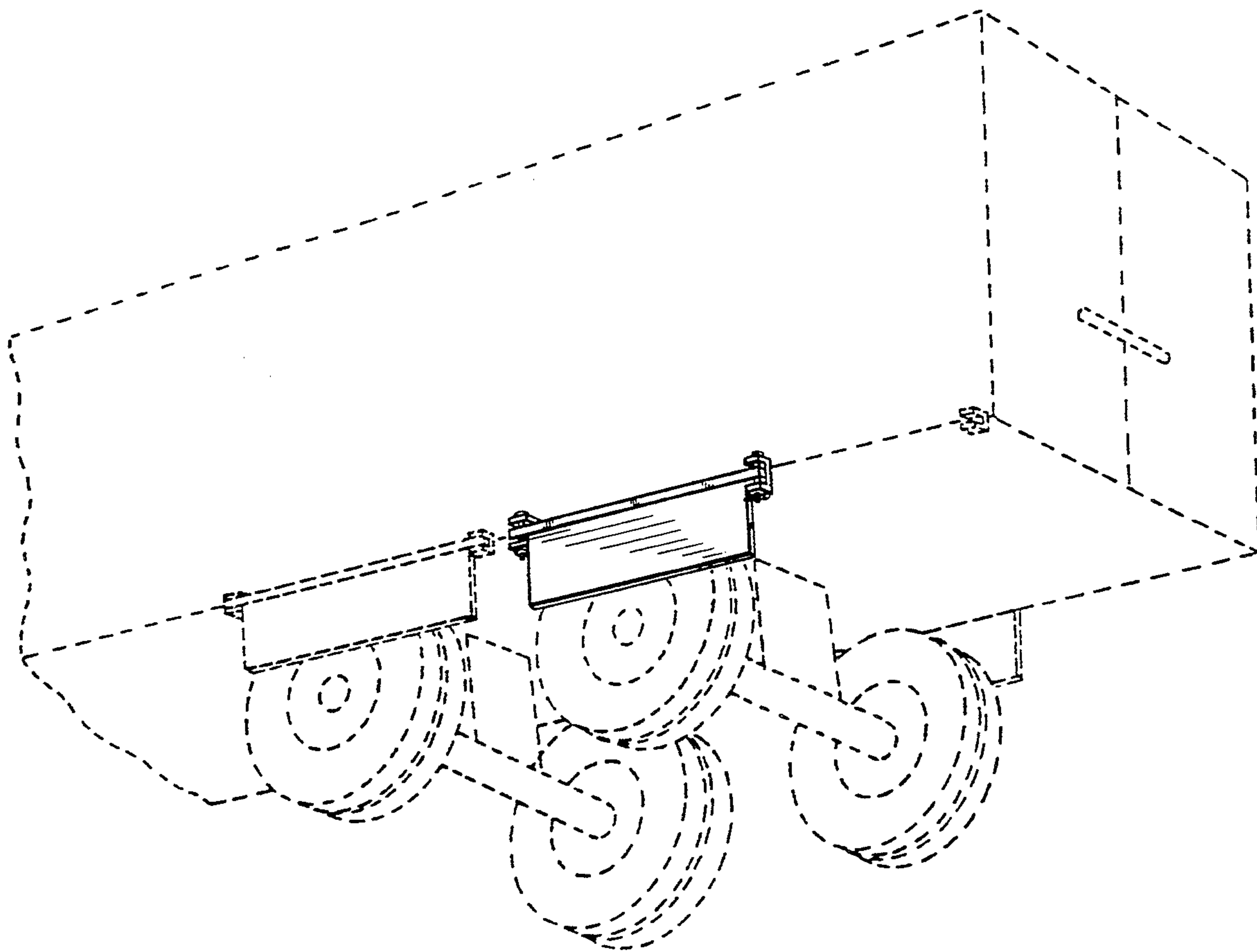
FIG. 4 is a left end view of the present invention shown in FIG. 3; and,

FIG. 5 is a top plan view of the present invention.

[56] **References Cited**

U.S. PATENT DOCUMENTS

D. 308,958	7/1990	Knox	D12/185
D. 309,724	8/1990	Jurgens	D12/185
D. 328,447	8/1992	Ahleen	D12/185
3,713,669	1/1973	Evans	D12/185



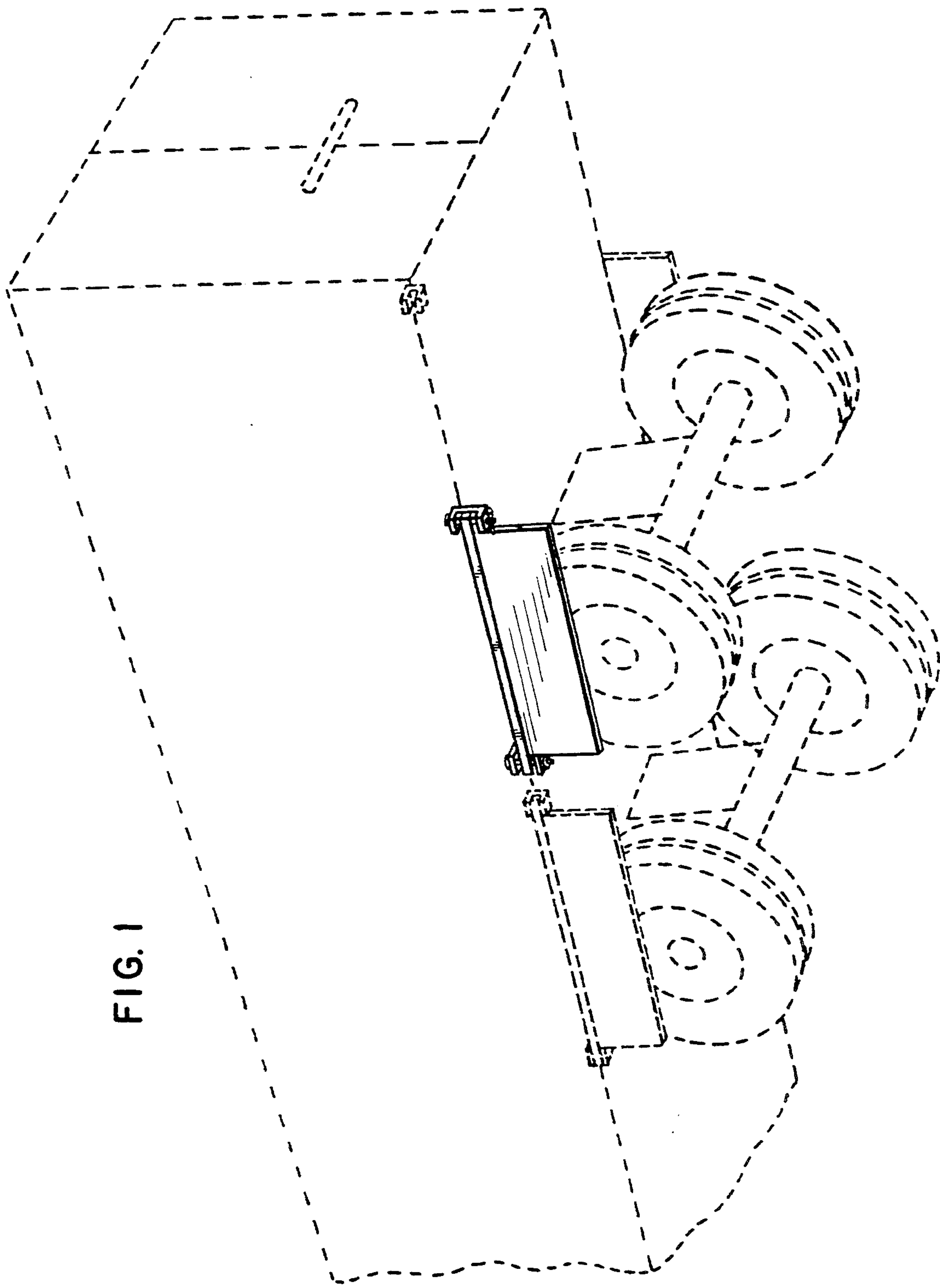


FIG. 1

FIG. 2

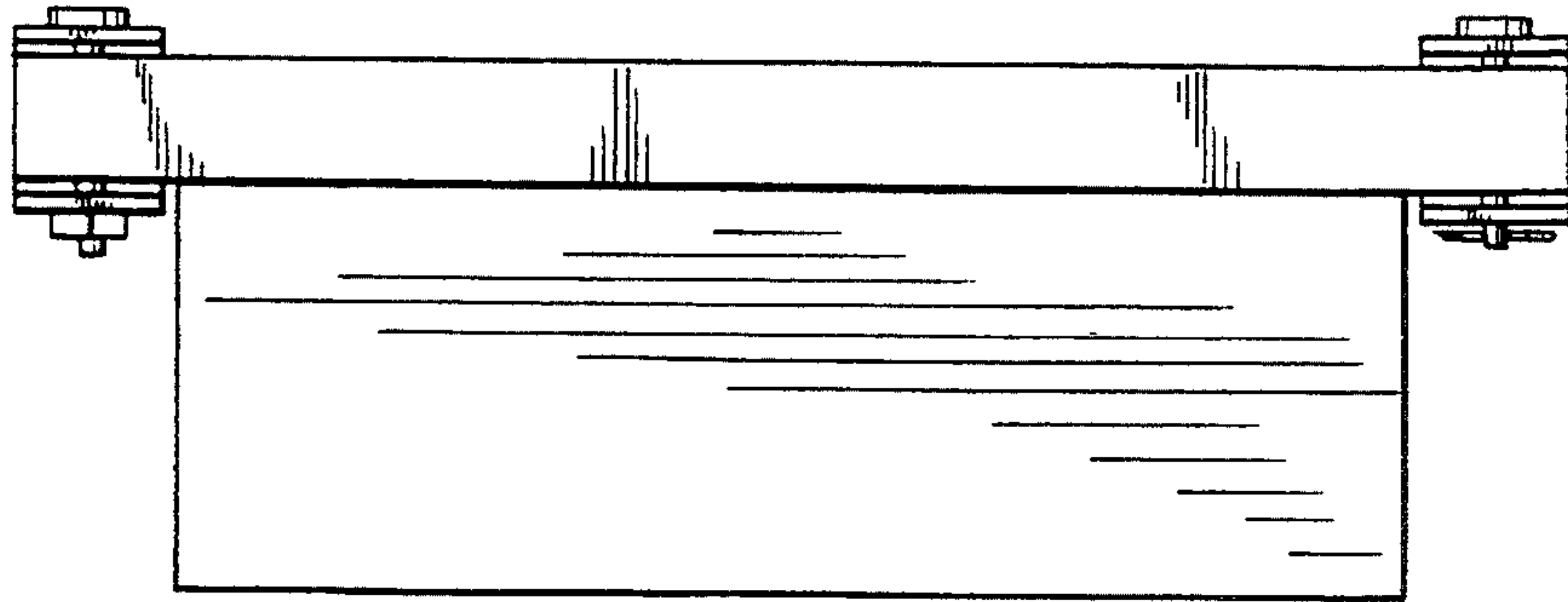


FIG. 4

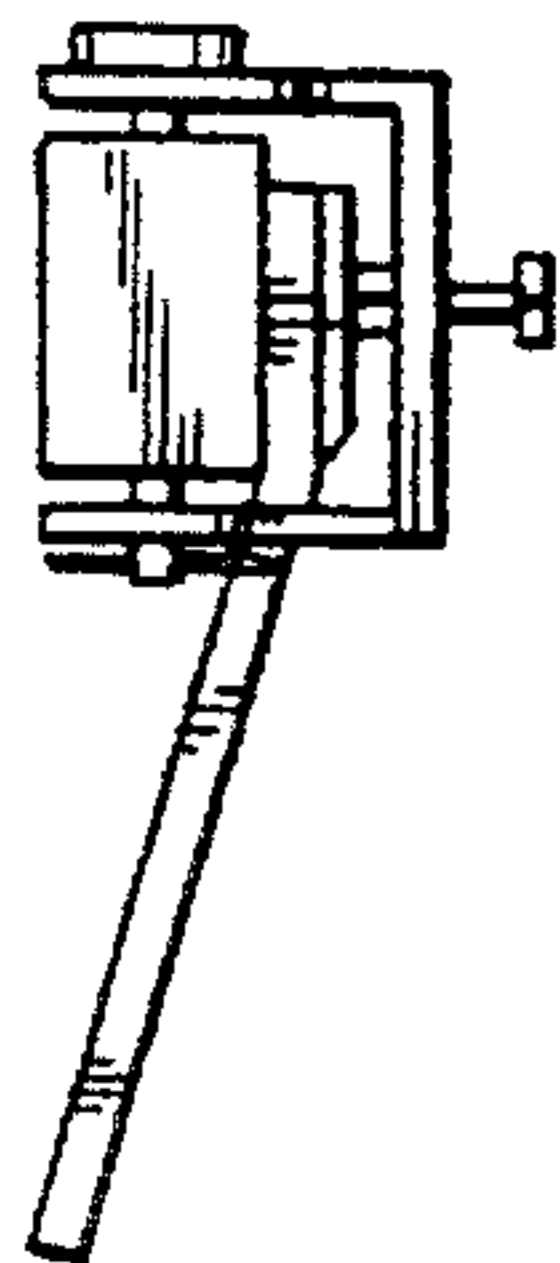


FIG. 3

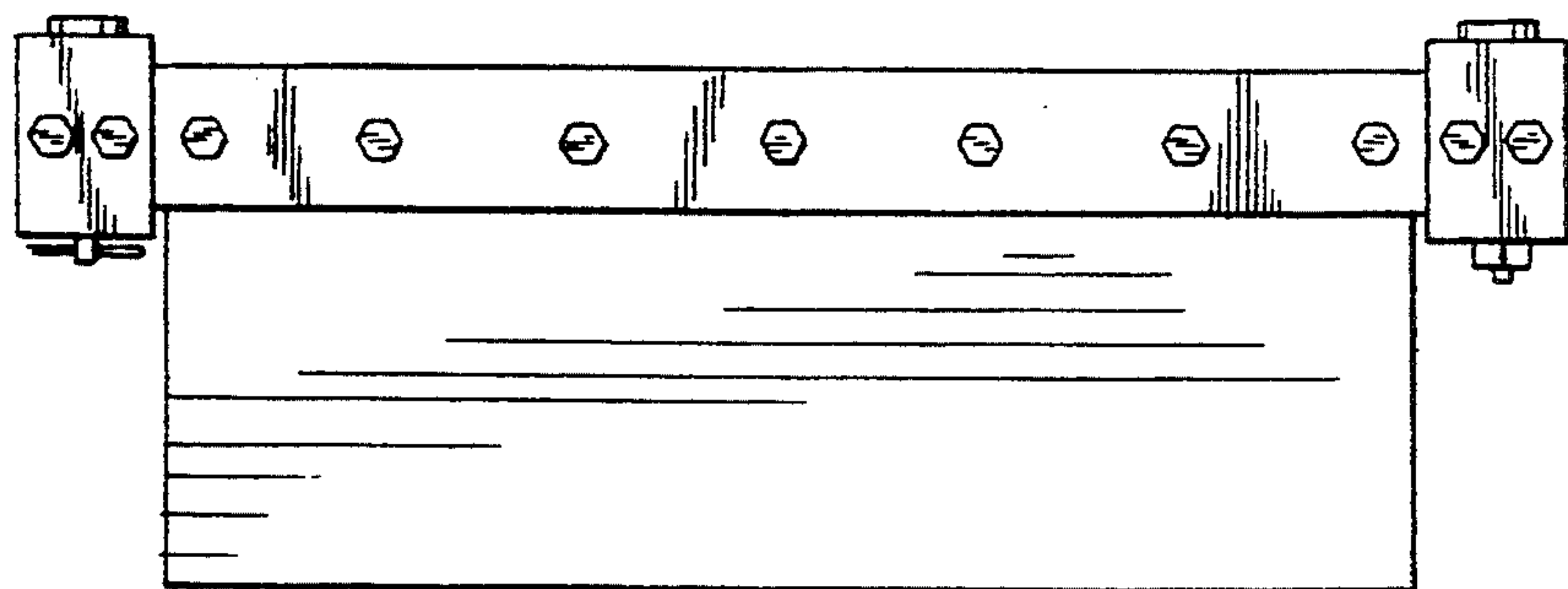


FIG. 5

