



US00D362206S

United States Patent [19]

[11] Patent Number: **Des. 362,206**

Nuosce

[45] Date of Patent: **** Sep. 12, 1995**

[54] **PLANT SUPPORT**

3,756,681 9/1973 Croston 312/351

[76] Inventor: **Donald Nuosce**, 1210 37th St., NE.,
Apt. D, Canton, Ohio 44714

Primary Examiner—Alan P. Douglas
Assistant Examiner—Cathron B. Matta

[**] Term: **14 Years**

[57] **CLAIM**

[21] Appl. No.: **21,536**

The ornamental design for a plant support, as shown and described.

[22] Filed: **Apr. 20, 1994**

DESCRIPTION

[52] U.S. Cl. **D11/164**

[58] Field of Search D11/164, 148; 47/45 R,
47/21 A, 30 OT; D6/556, 557, 495, 499; D8/1;
D26/142

FIG. 1 is an elevational view from the side depicting the support base and elements thereof;

FIG. 2 is an elevational view from the front of the plant support;

FIG. 3 is a top view of the plant support;

FIG. 4 is a view from the underside of the plant support base; and,

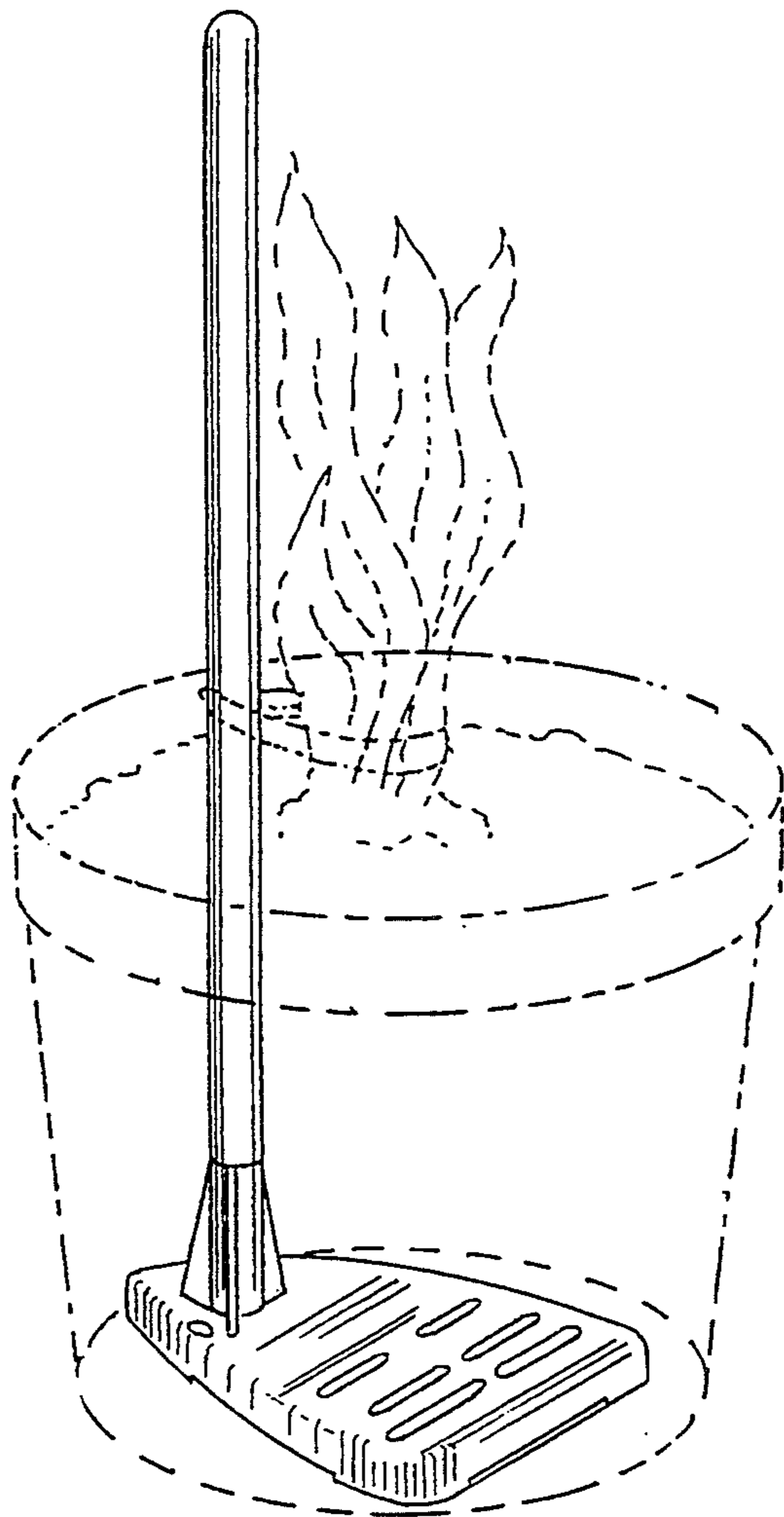
FIG. 5 is a perspective view demonstrating the plant support as utilized.

The broken line indicating and otherwise showing the plant, planter, and plant reciprocal wrapping around the support are all for illustrated purposes only and form no part of the claimed design.

[56] **References Cited**

U.S. PATENT DOCUMENTS

D. 276,511	11/1984	Kole et al.	D11/164
D. 283,880	5/1986	Carlson	D11/164
D. 331,865	12/1992	Parker	D11/164 X
D. 335,802	5/1993	Klump	D8/1
D. 348,858	7/1994	Nuosce	D11/148
D. 349,472	8/1994	Olswanger	D11/164



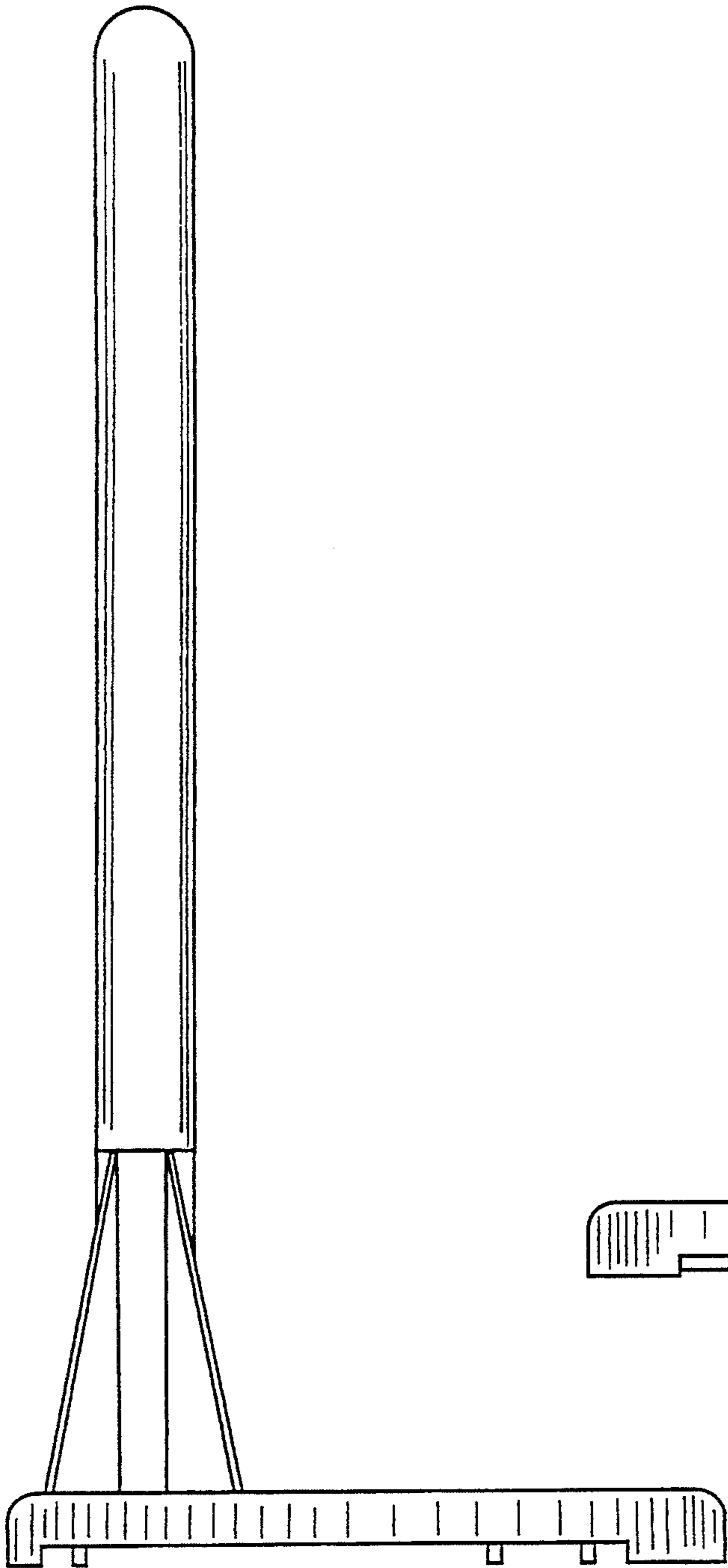


FIG. 1

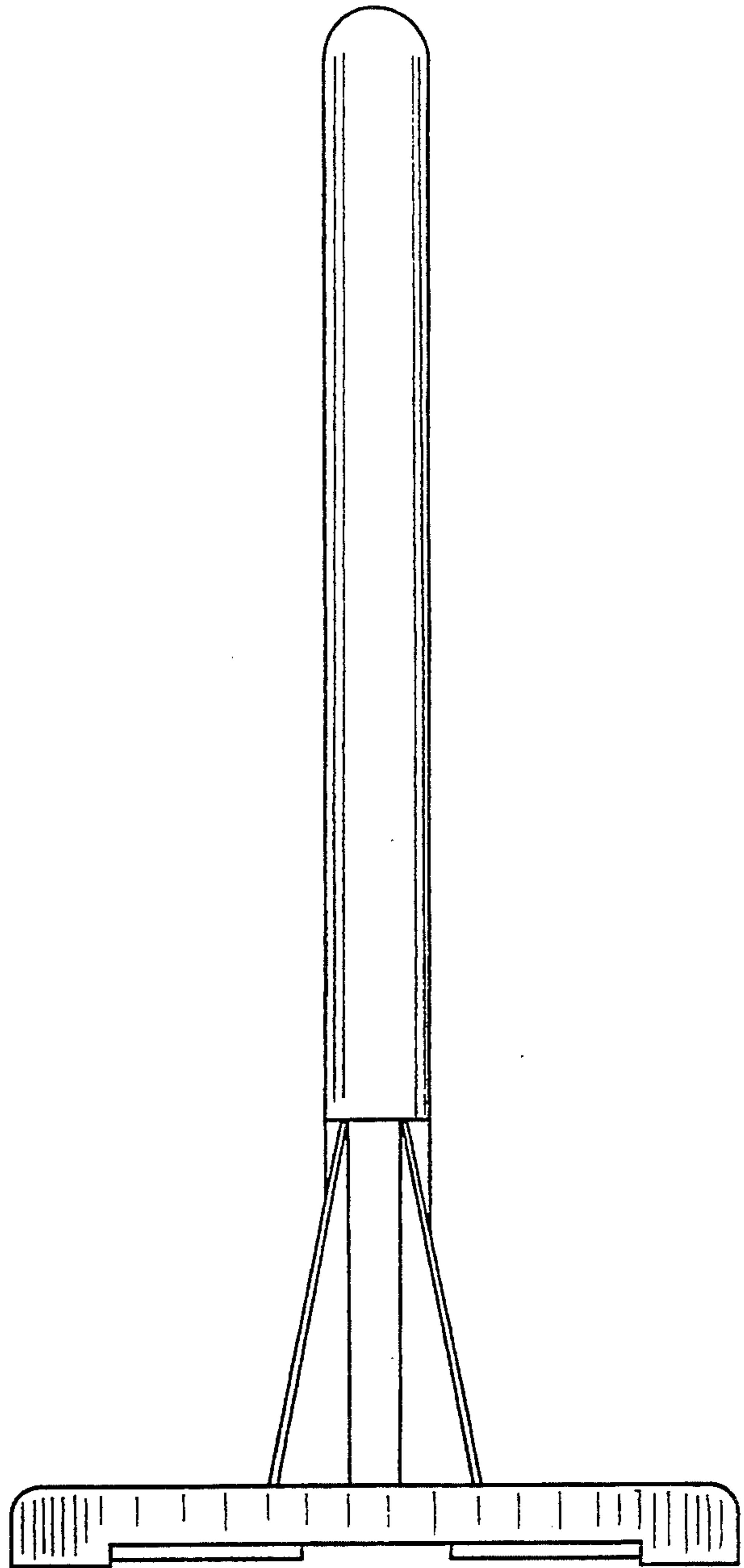


FIG. 2

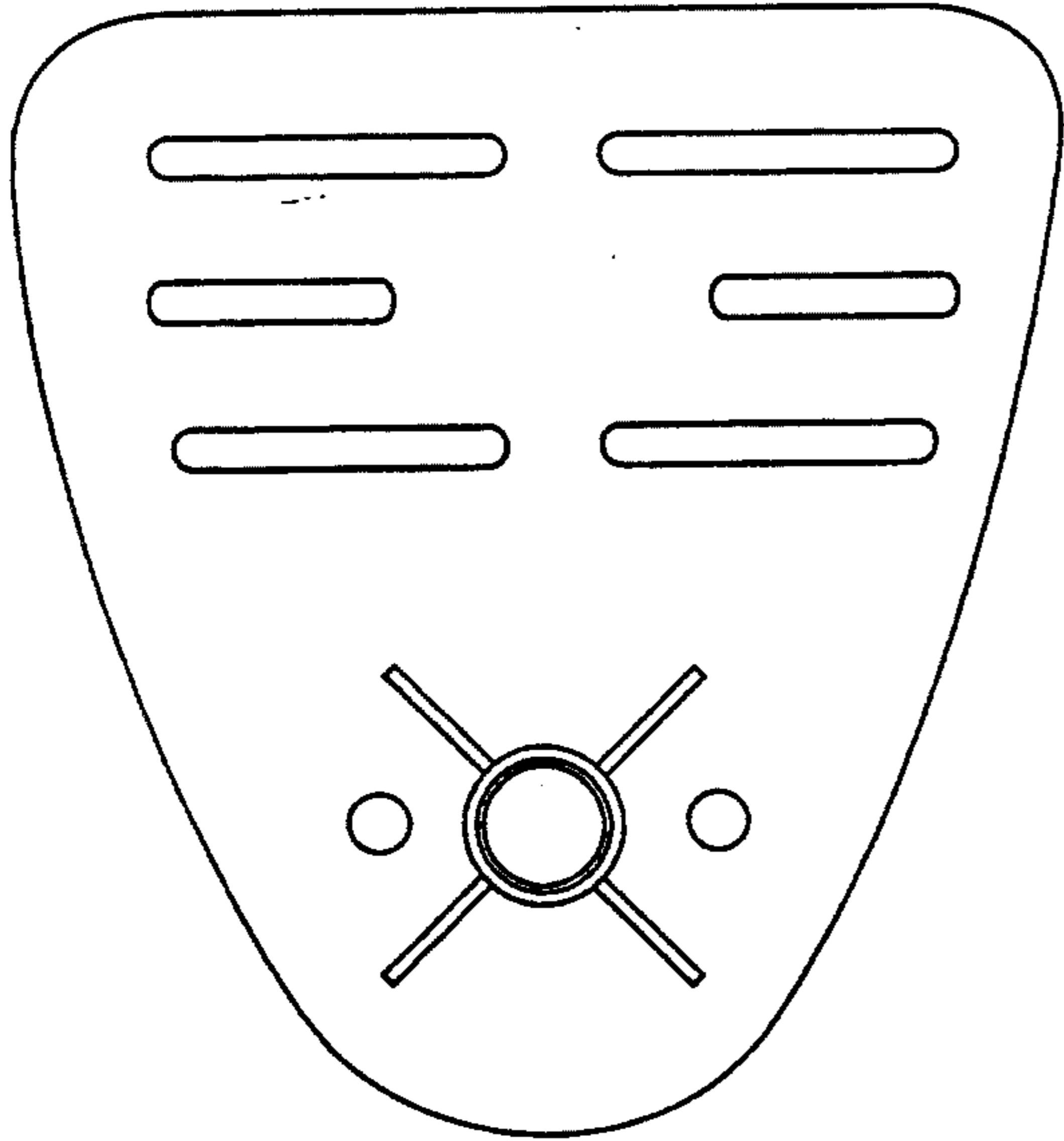


FIG. 3

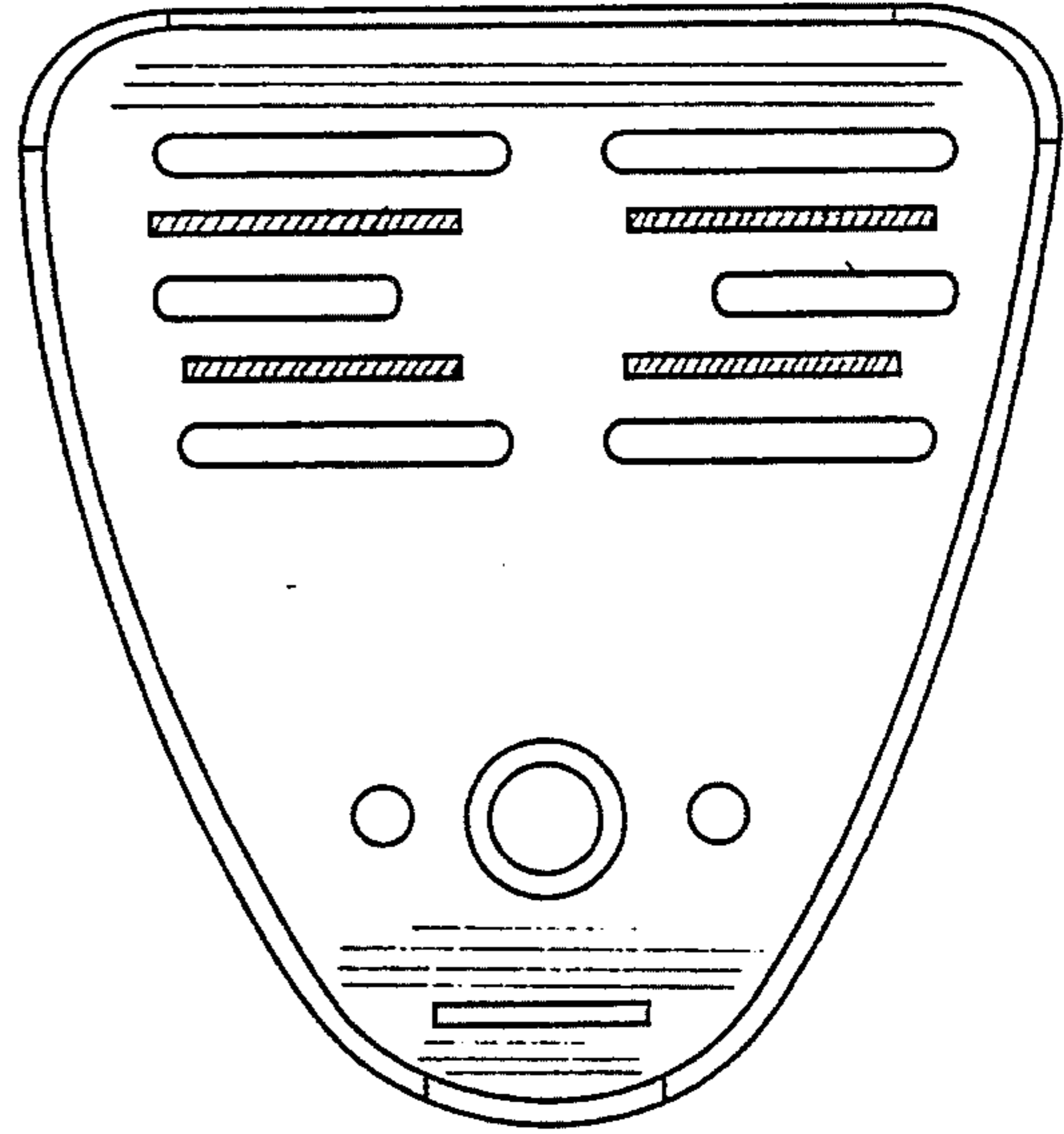


FIG. 4

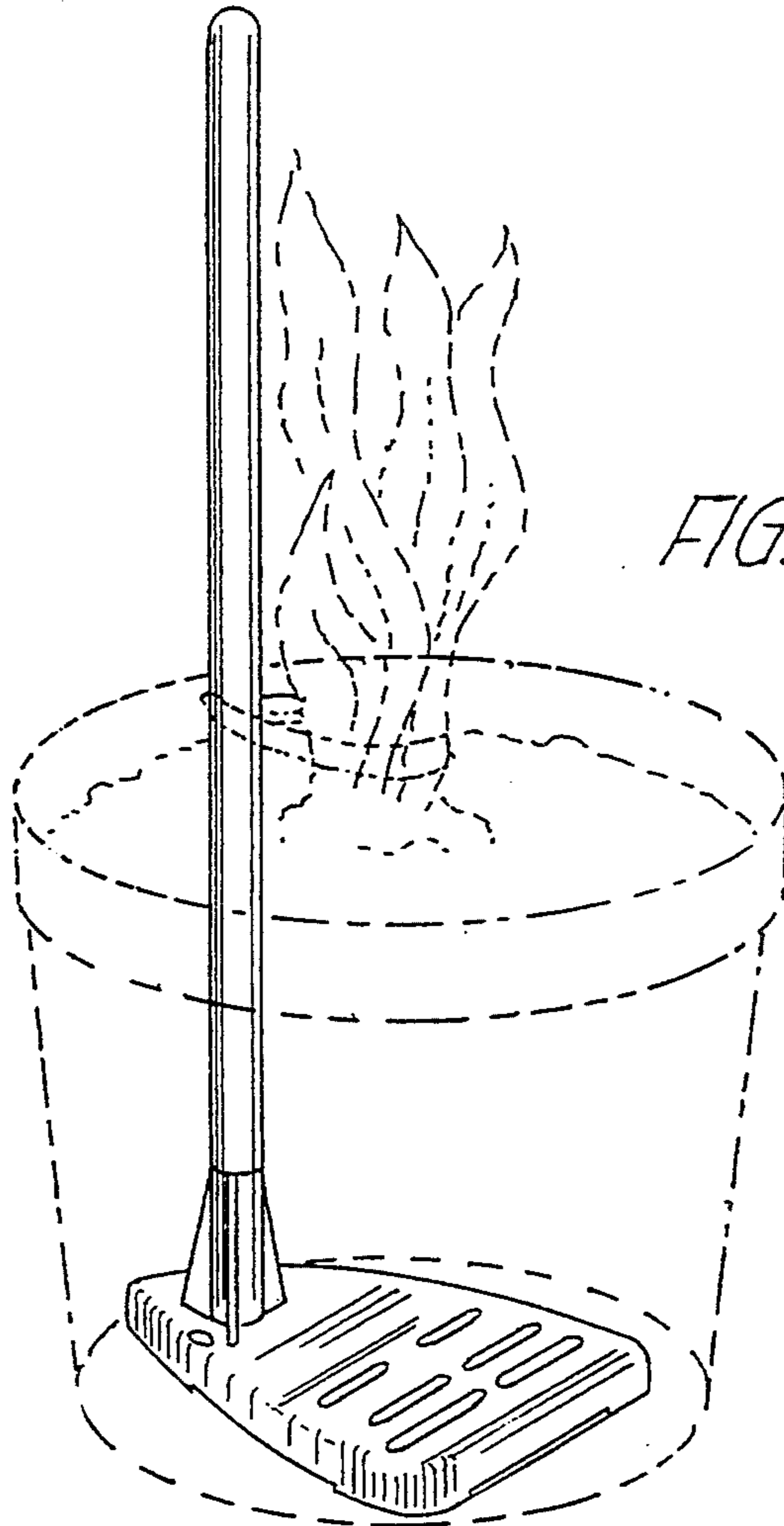


FIG. 5