



US00D362204S

United States Patent [19]

[11] Patent Number: **Des. 362,204**

Eknes

[45] Date of Patent: **** Sep. 12, 1995**

[54] **FACETED CUT FOR A STONE**

[56] **References Cited**

[76] Inventor: **Reidar O. Eknes**, P.O. Box 136
Rundtom, 3055 Krokstadelva,
Norway

U.S. PATENT DOCUMENTS

D. 36,340 6/1903 Tolkowsky D11/90
56,949 1/1921 Tatler D11/90
D.267,569 1/1983 Polite D11/90

[**] Term: **14 Years**

Primary Examiner—Ralf T. Seifert
Attorney, Agent, or Firm—Wenderoth, Lind & Ponack

[21] Appl. No.: **13,462**

[57] **CLAIM**

The ornamental design for a faceted cut for a stone, as shown and described.

[22] Filed: **Sep. 24, 1993**

DESCRIPTION

[30] **Foreign Application Priority Data**

Mar. 24, 1993 [NO] Norway 930232
[52] U.S. Cl. **D11/90**
[58] Field of Search D11/89, 90, 91; 63/32;
D21/41

FIG. 1 is a front, left, top perspective view of the crystal showing my new design;
FIG. 2 is a front elevational view thereof, the rear elevational view being a mirror image;
FIG. 3 is a left, rear, top perspective view thereof;
FIG. 4 is a top plan view thereof, the bottom plan view being a mirror image thereof; and,
FIG. 5 is a left side elevational view thereof, the right side elevational view being a mirror image.

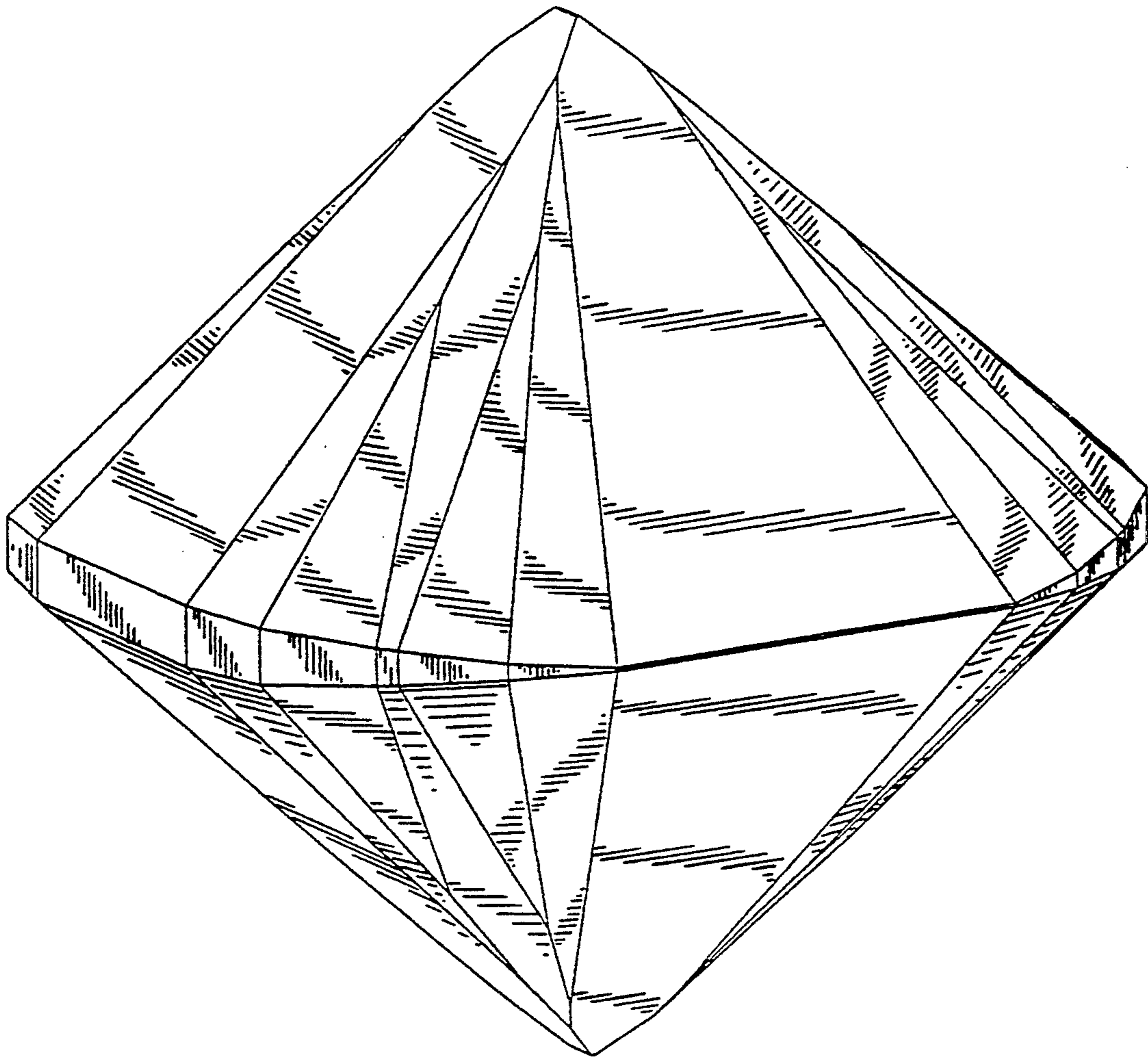


FIG. 1

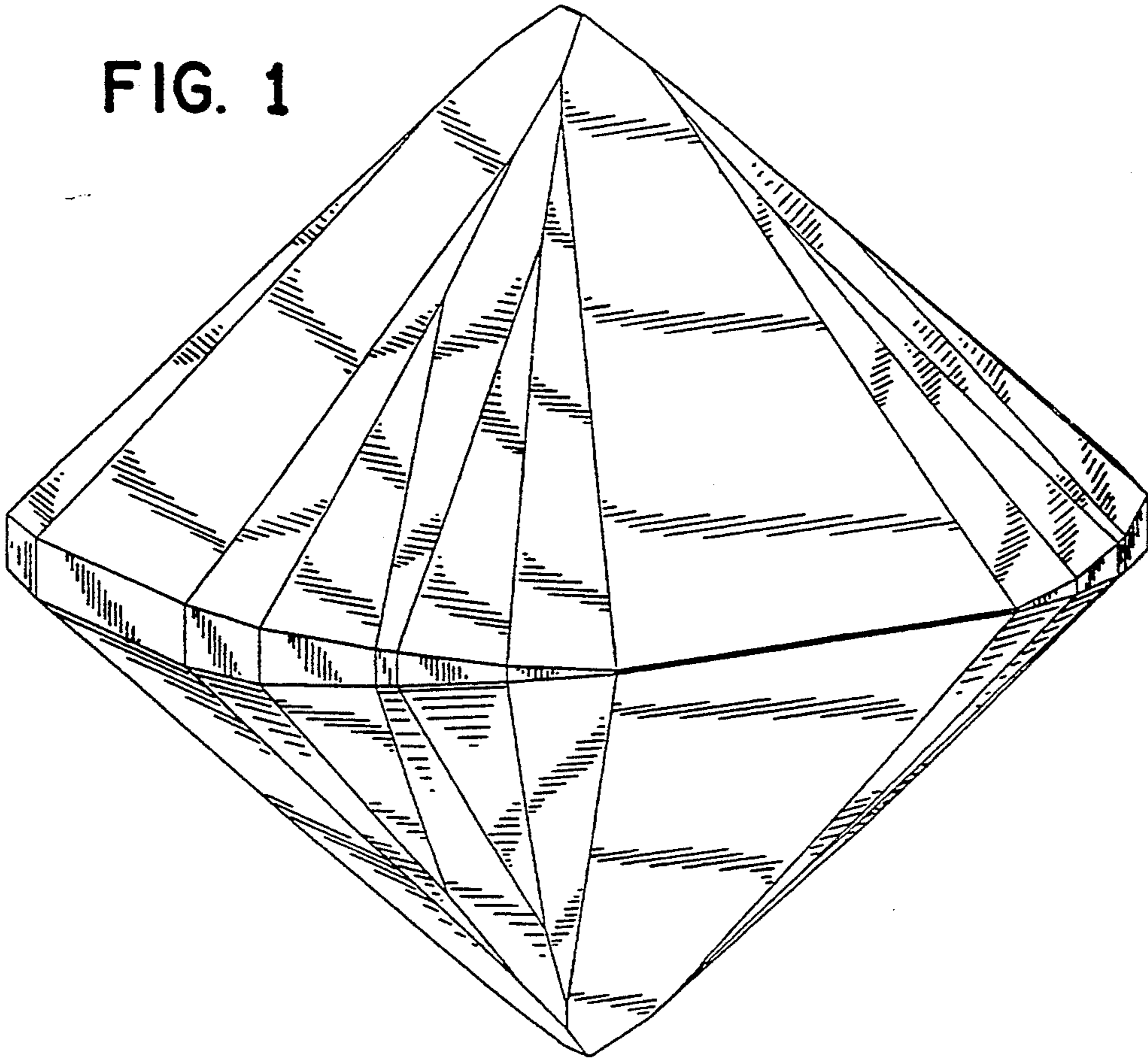


FIG. 2

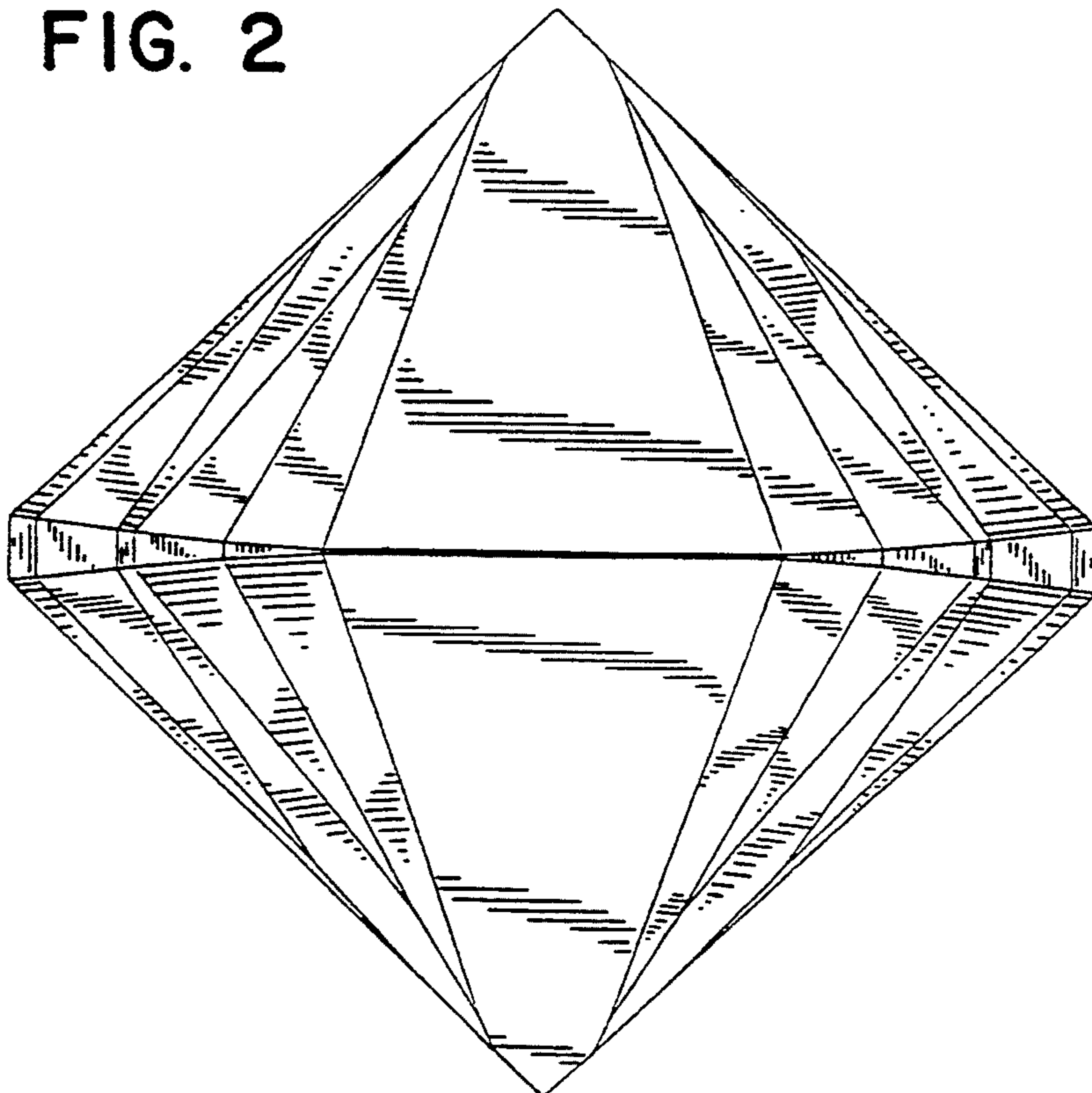


FIG. 3

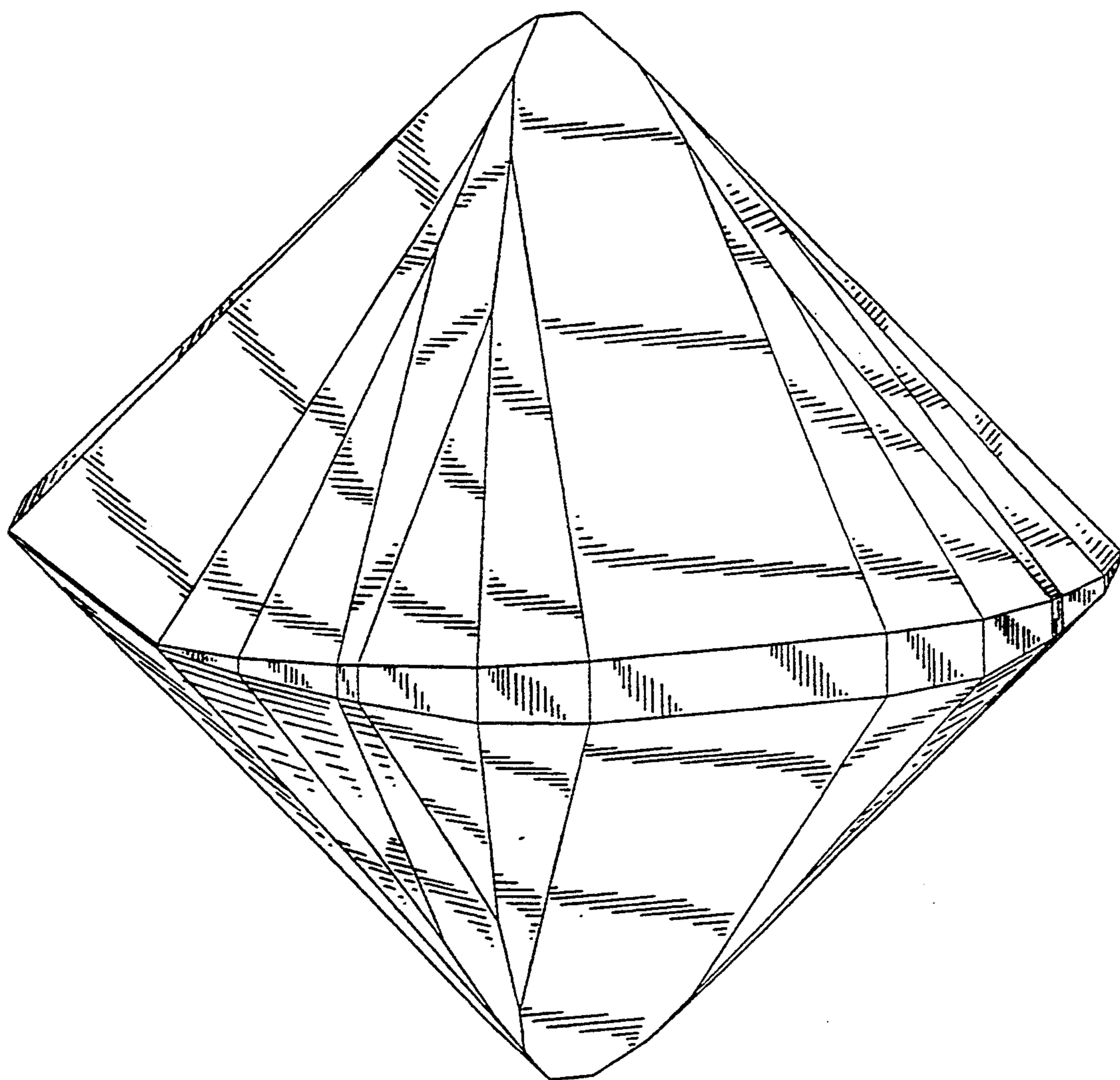


FIG. 4

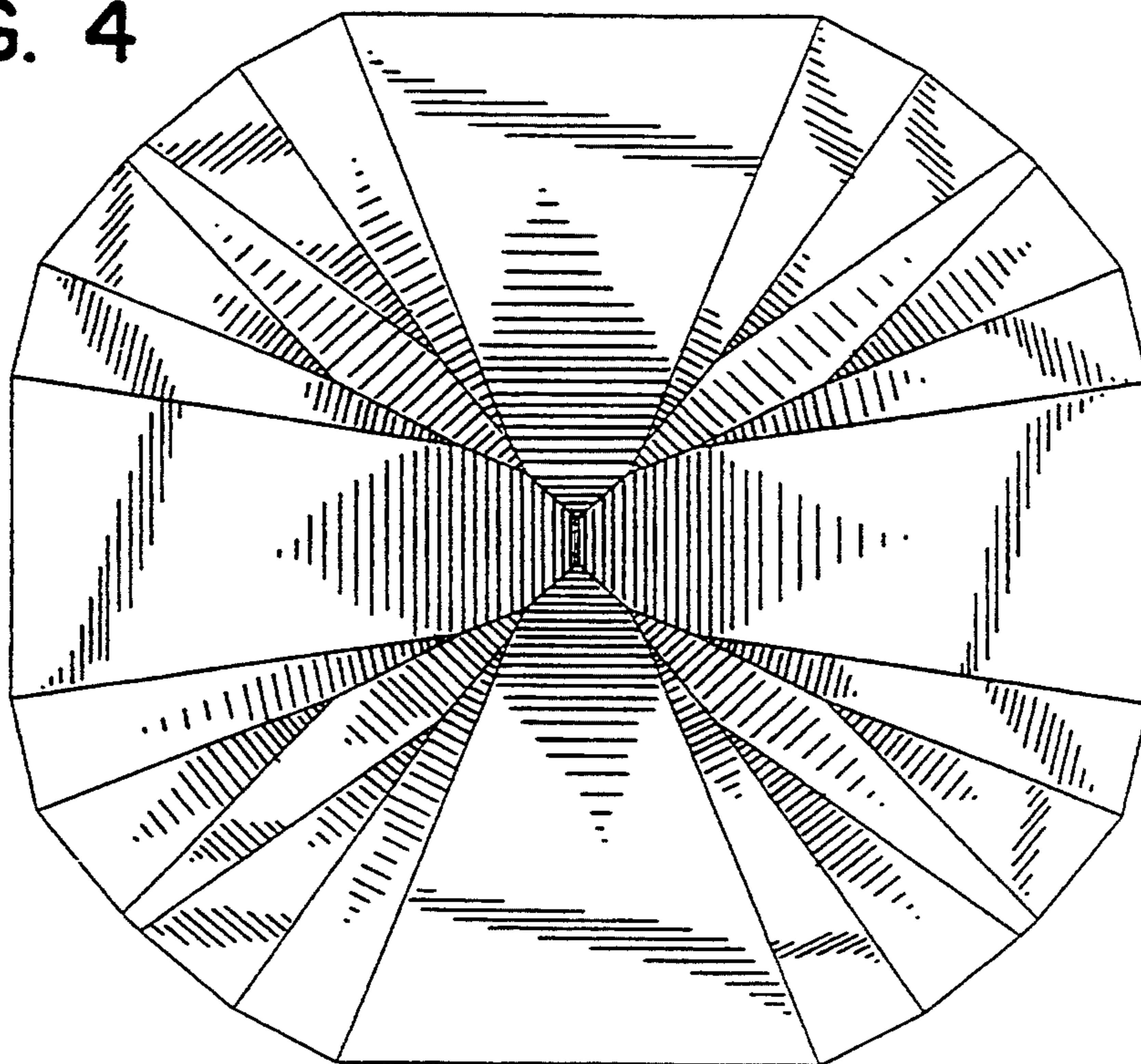


FIG. 5

