



US00D362203S

**United States Patent** [19]

[11] **Patent Number: Des. 362,203**

**Grando**

[45] **Date of Patent: \*\* Sep. 12, 1995**

[54] **JEWELRY ROPE CHAIN**

[76] **Inventor: Stefano Grando**, 1131 Alta Loma Rd., #501, Los Angeles, Calif. 90069

[\*] **Notice:** The portion of the term of this patent subsequent to Oct. 19, 2007 has been disclaimed.

[\*\*] **Term: 14 Years**

[21] **Appl. No.: 900,526**

[22] **Filed: Jun. 17, 1992**

**Related U.S. Application Data**

[63] Continuation of Ser. No. 419,410, Oct. 10, 1989, abandoned.

[52] **U.S. Cl.** ..... **D11/13; D11/93**

[58] **Field of Search** ..... **D11/1-18, D11/86, 92-94; 59/78, 80, 82-84, 90, 92; 63/1.1-11; D8/499; 362/434**

[56] **References Cited**

**U.S. PATENT DOCUMENTS**

491,607 3/1890 Chiaramonti .

**FOREIGN PATENT DOCUMENTS**

011754 5/1989 WIPO ..... 11/1  
013682 5/1989 WIPO ..... 11/1  
014648 9/1989 WIPO ..... 11/1

**OTHER PUBLICATIONS**

Unoerre May 1988 p. 133.  
Exhibit C of Oct. 22, 1990 protest letter model of Unoerre.

Catalog Sheet—Gold International Machinery Corp.,—Letter Aug. 29, 1990.

Portion of catalogue of Unoerre of Italy allegedly published in 1988.

*Primary Examiner*—Ralf T. Seifert

*Attorney, Agent, or Firm*—Poms, Smith, Lande & Rose

[57] **CLAIM**

The ornamental design for a jewelry rope chain, as shown and described.

**DESCRIPTION**

FIG. 1 is a perspective view of one link of a jewelry rope chain showing my new design;

FIG. 2 is a front elevational view;

FIG. 3 is a top plan view;

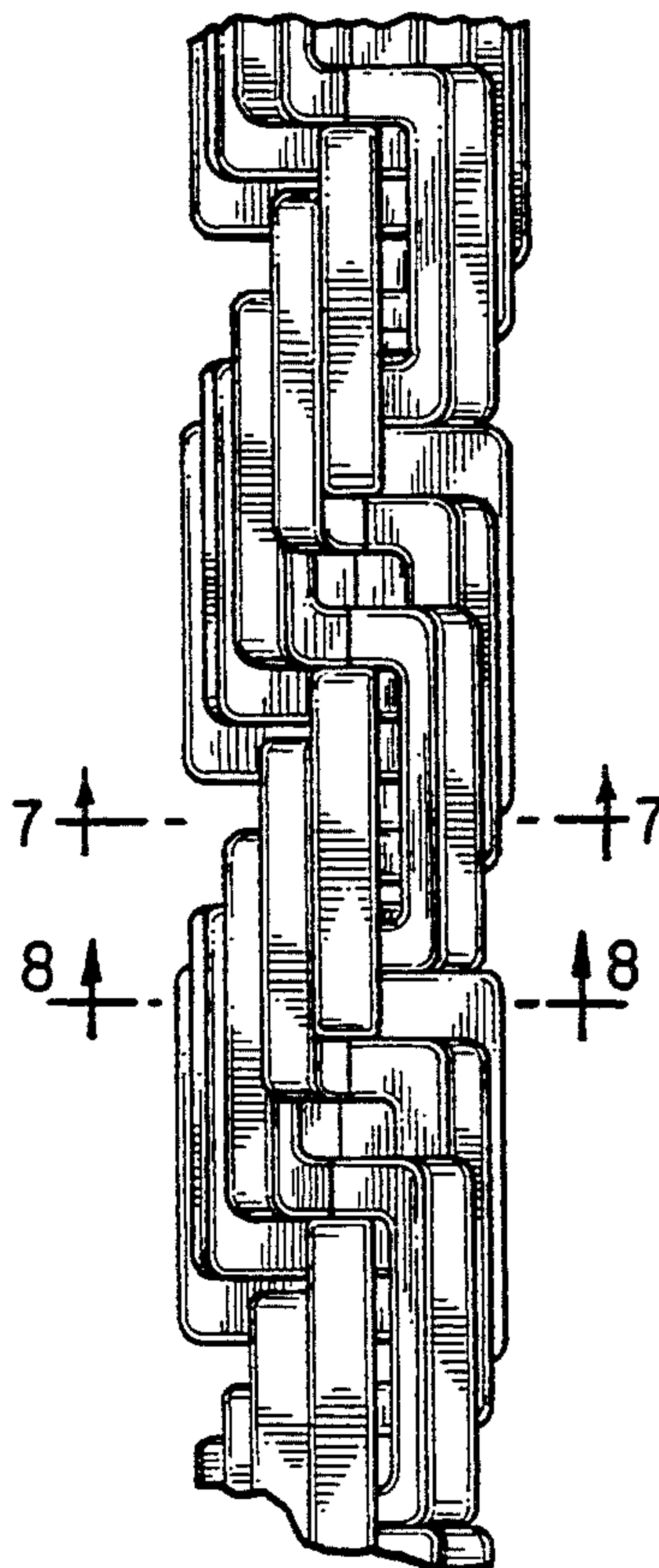
FIG. 4 is a bottom plan view;

FIG. 5 is a side elevational view;

FIG. 6 is a partially perspective view of the jewelry rope chain;

FIG. 7 is a sectional view taken along the lines 7—7 of FIG. 6; and,

FIG. 8 is a sectional view taken along the lines 8—8 of FIG. 6.



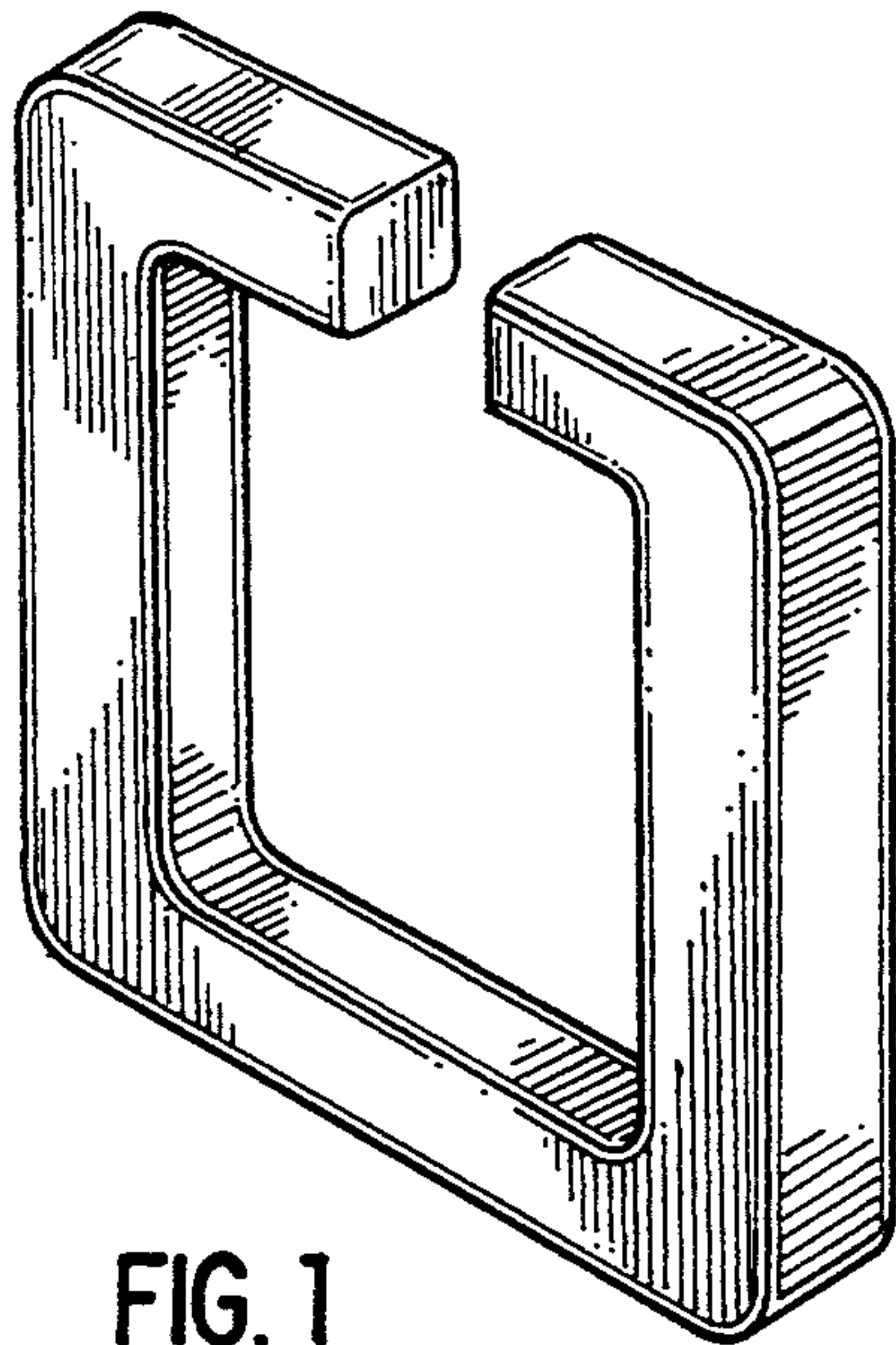


FIG. 1

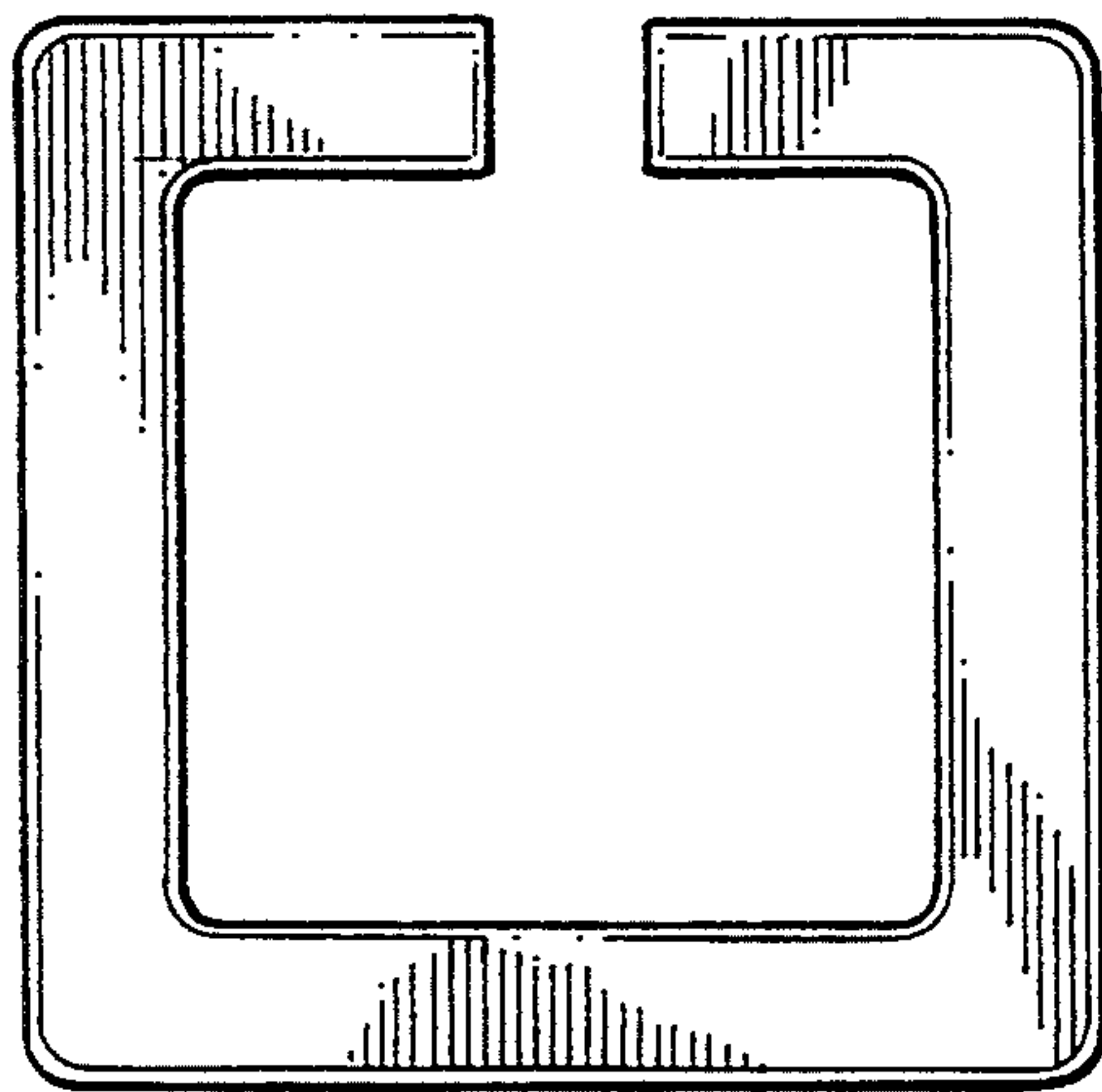


FIG. 2

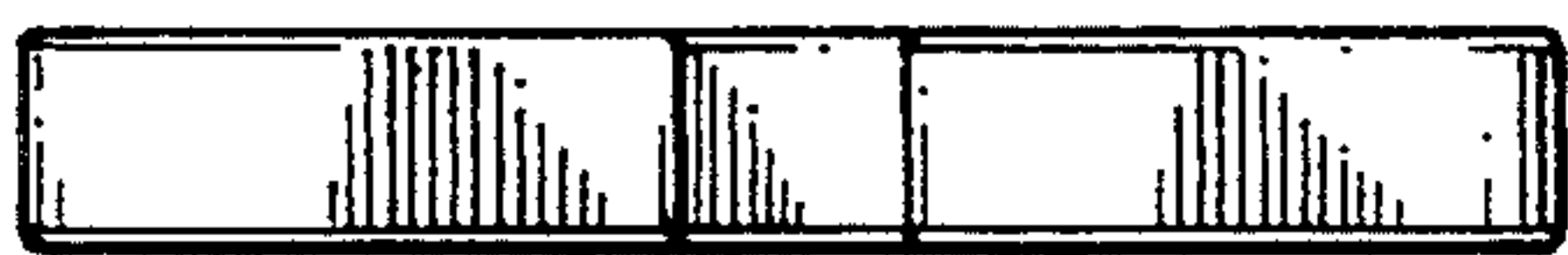


FIG. 3

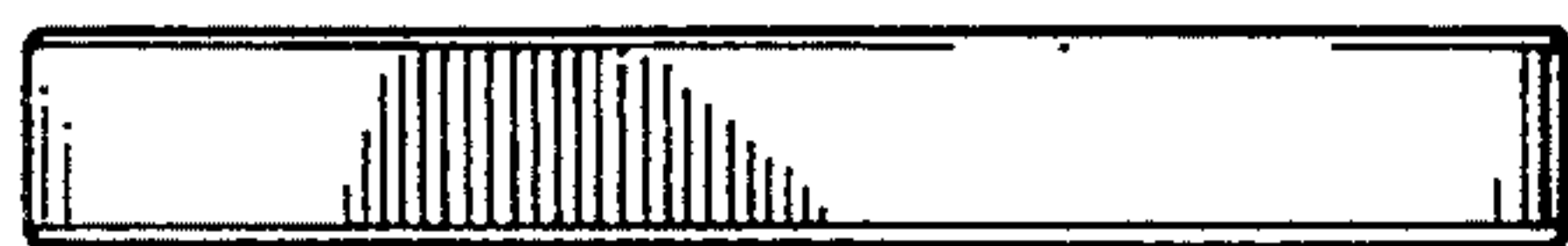


FIG. 4

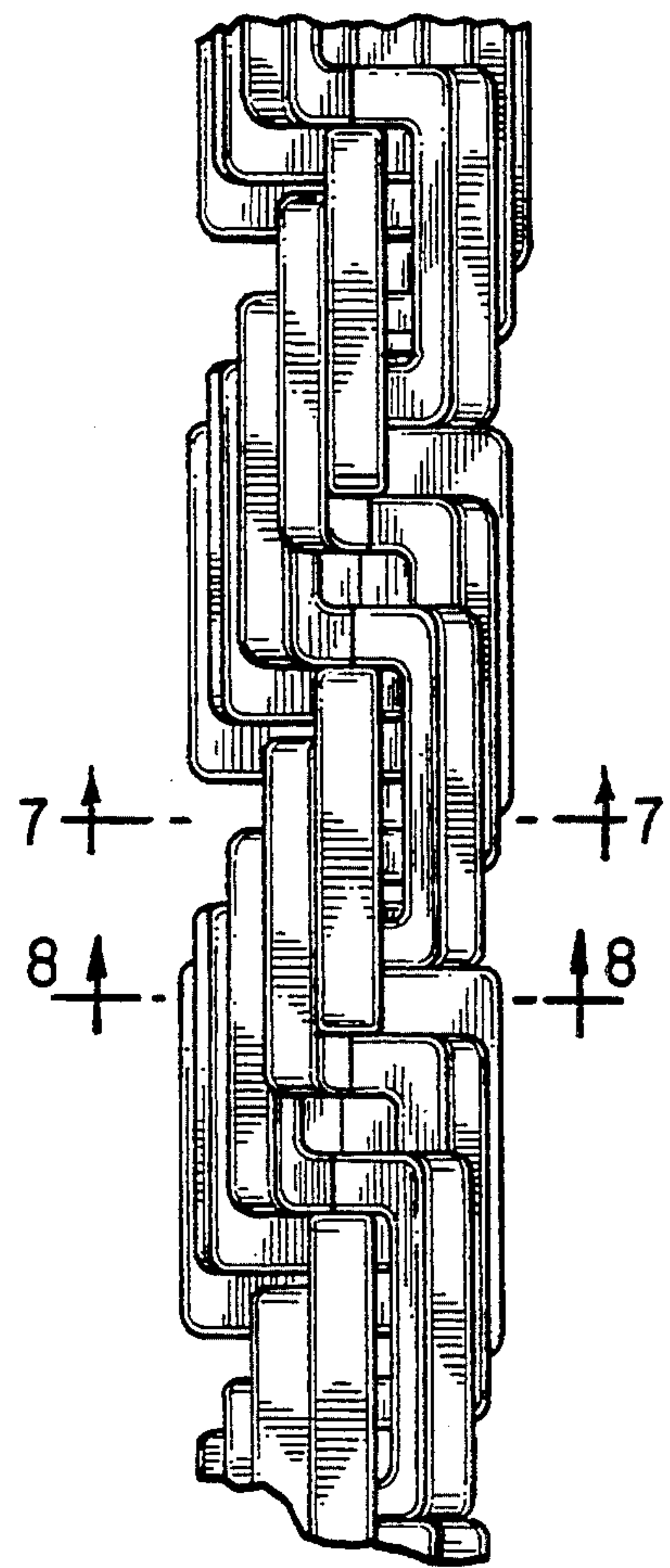


FIG. 6



FIG. 5

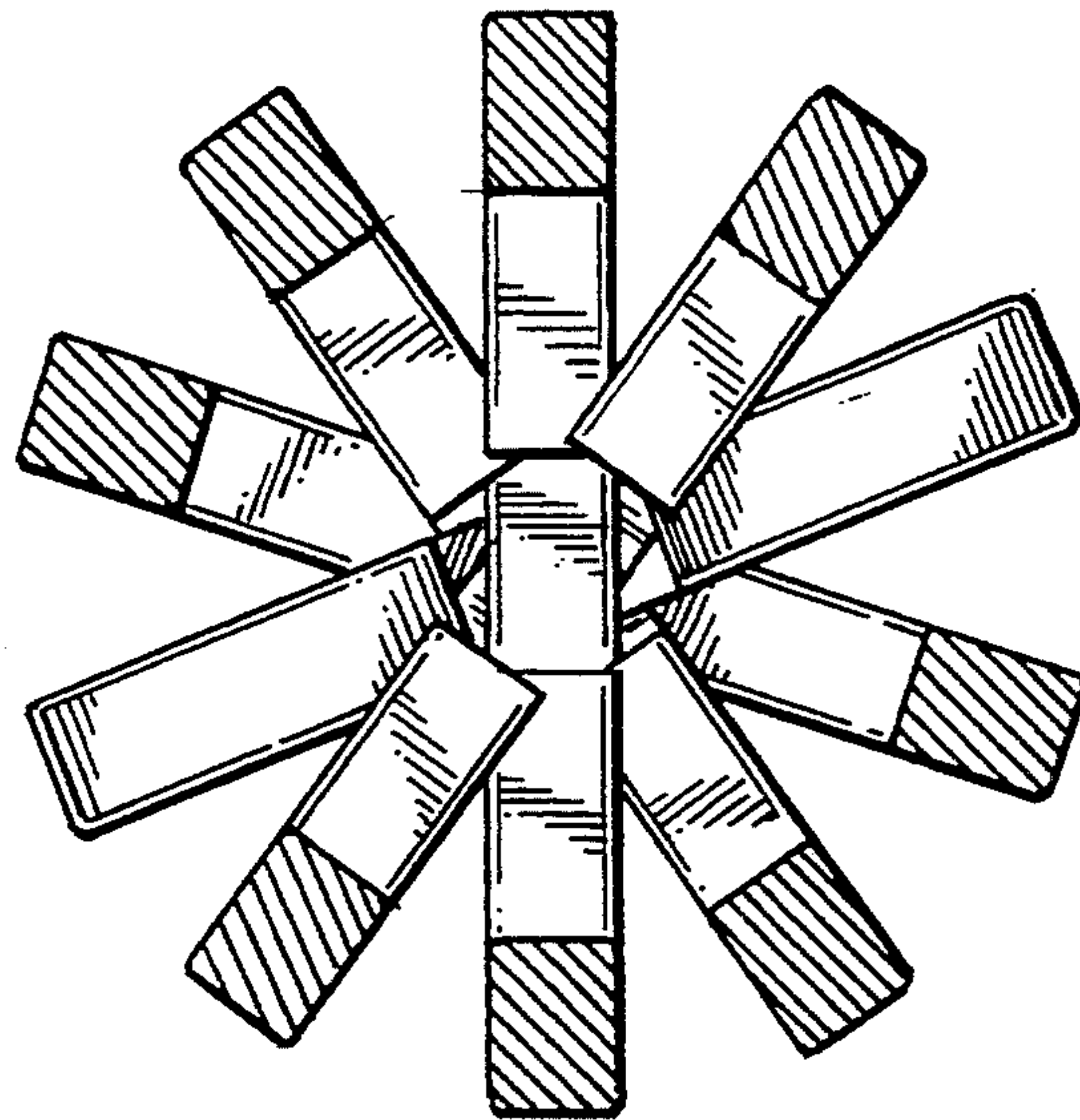


FIG. 7

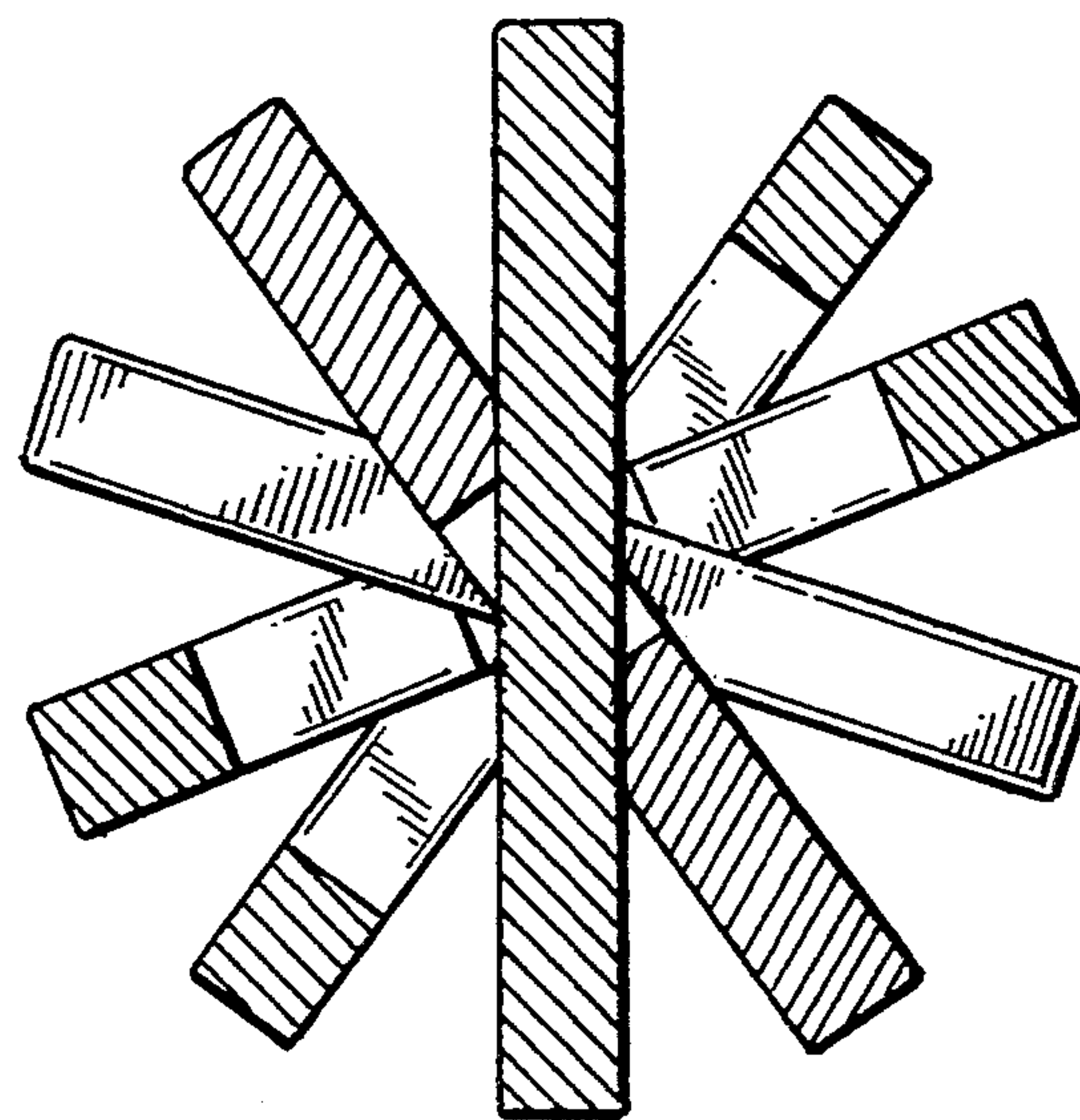


FIG. 8