



US00D362201S

**United States Patent** [19]  
**Larsson**

[11] **Patent Number: Des. 362,201**

[45] **Date of Patent: \*\* Sep. 12, 1995**

[54] **AIRCRAFT DOCKING DISPLAY**

[75] **Inventor: Lars Larsson, Trelleborg, Sweden**

[73] **Assignee: Safegate International AB, Malmö, Sweden**

[\*\*] **Term: 14 Years**

[21] **Appl. No.: 22,330**

[22] **Filed: May 3, 1994**

[30] **Foreign Application Priority Data**

Nov. 3, 1993 [SE] Sweden ..... 93 2467

Nov. 3, 1993 [SE] Sweden ..... 93 2468

[52] **U.S. Cl. .... D10/114**

[58] **Field of Search** ..... D20/10, 18, 19, 39,  
D20/40, 41, 42; D10/109, 114; 40/325, 340,  
451, 448, 450, 452, 446, 540, 541, 542; 340/719,  
756, 760, 765

[56] **References Cited**

**U.S. PATENT DOCUMENTS**

D. 252,383	7/1979	Jackson et al. ....	D10/114
D. 272,423	1/1984	Anderberg .....	D10/109
D. 326,620	6/1992	Anderberg .....	D10/109
D. 332,233	1/1993	Batts .....	D10/114
2,614,203	10/1952	Dalton, Jr. et al. ....	D10/114

*Primary Examiner*—A. Hugo Word  
*Assistant Examiner*—Marcus Jackson  
*Attorney, Agent, or Firm*—Burns, Doane, Swecker & Mathis

[57] **CLAIM**

The ornamental design for aircraft docking display, as shown and described.

**DESCRIPTION**

FIG. 1 is a front plan view of an aircraft docking display with the broken line shown for illustrative purposes only and forming no part of the claimed design;

FIG. 2 is a top plan view thereof. The bottom plan view is identical;

FIG. 3 is a right side view thereof. The left side view is identical;

FIG. 4 is a rear elevational view thereof;

FIG. 5 is a right front perspective view thereof;

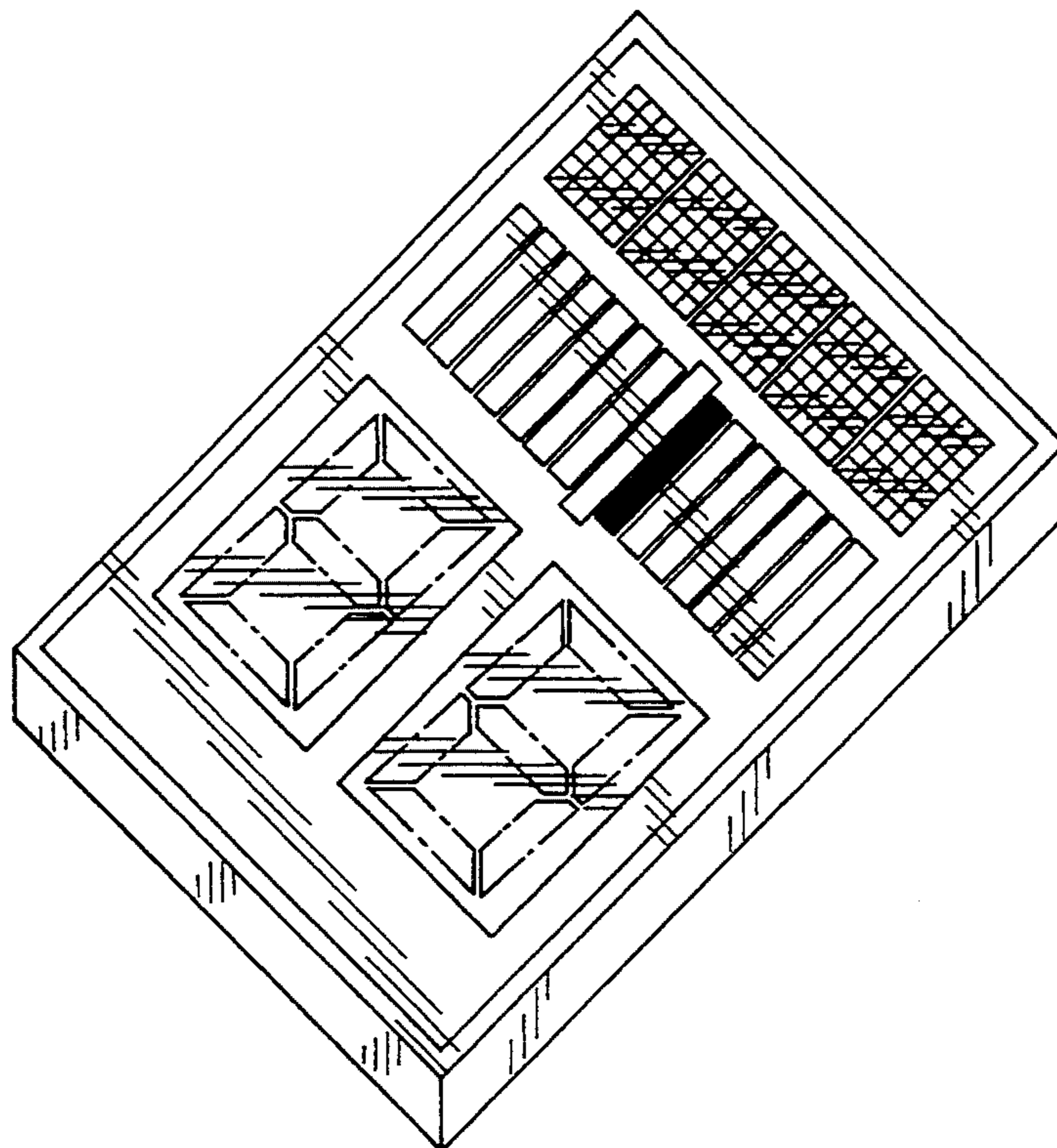
FIG. 6 is a front elevational view of a second embodiment thereof;

FIG. 7 is a top plan view thereof. The bottom plan view is identical;

FIG. 8 is a right side view thereof. The left side view is identical;

FIG. 9 is a rear elevational view thereof; and,

FIG. 10 is a right front perspective view thereof.



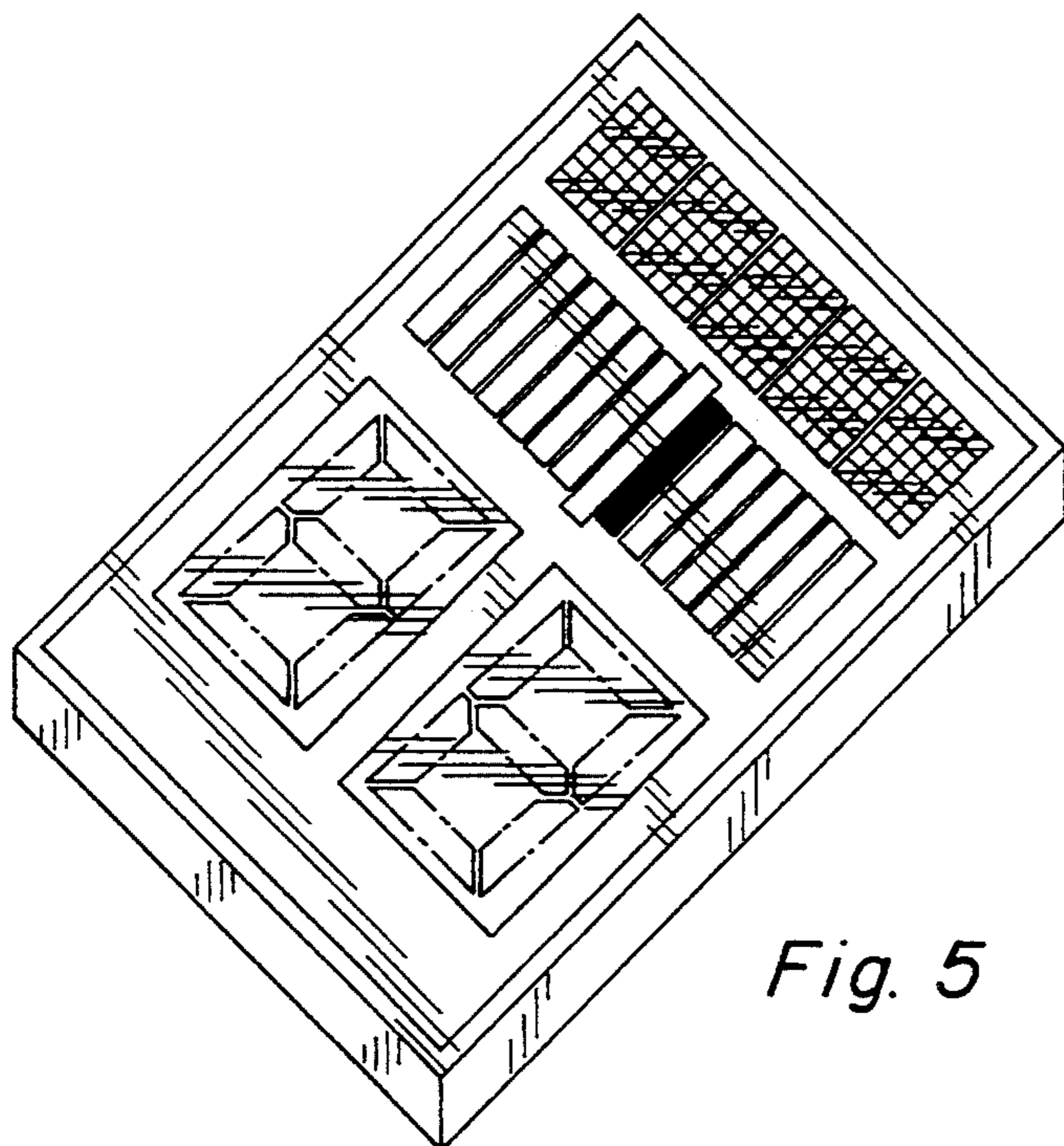
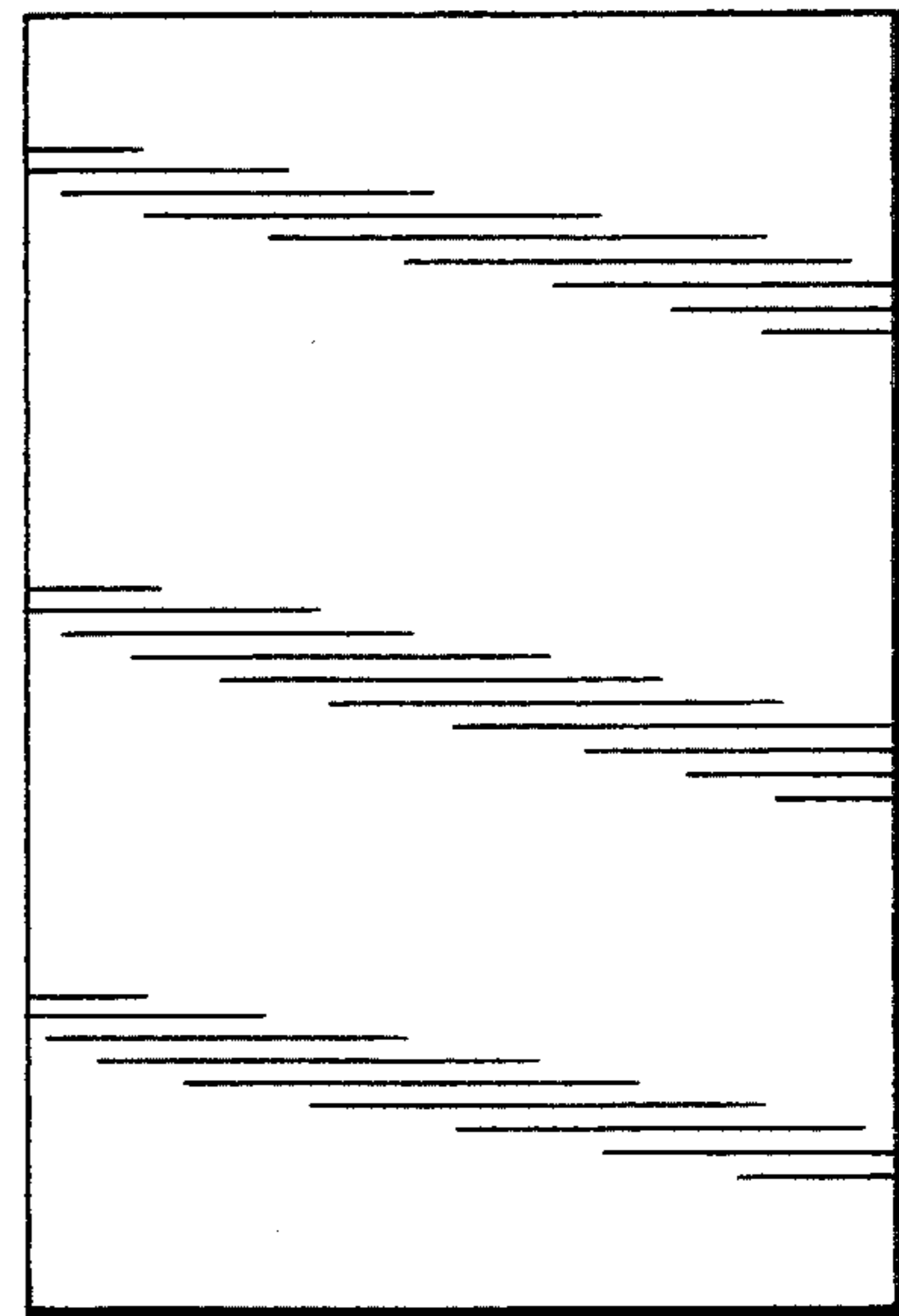
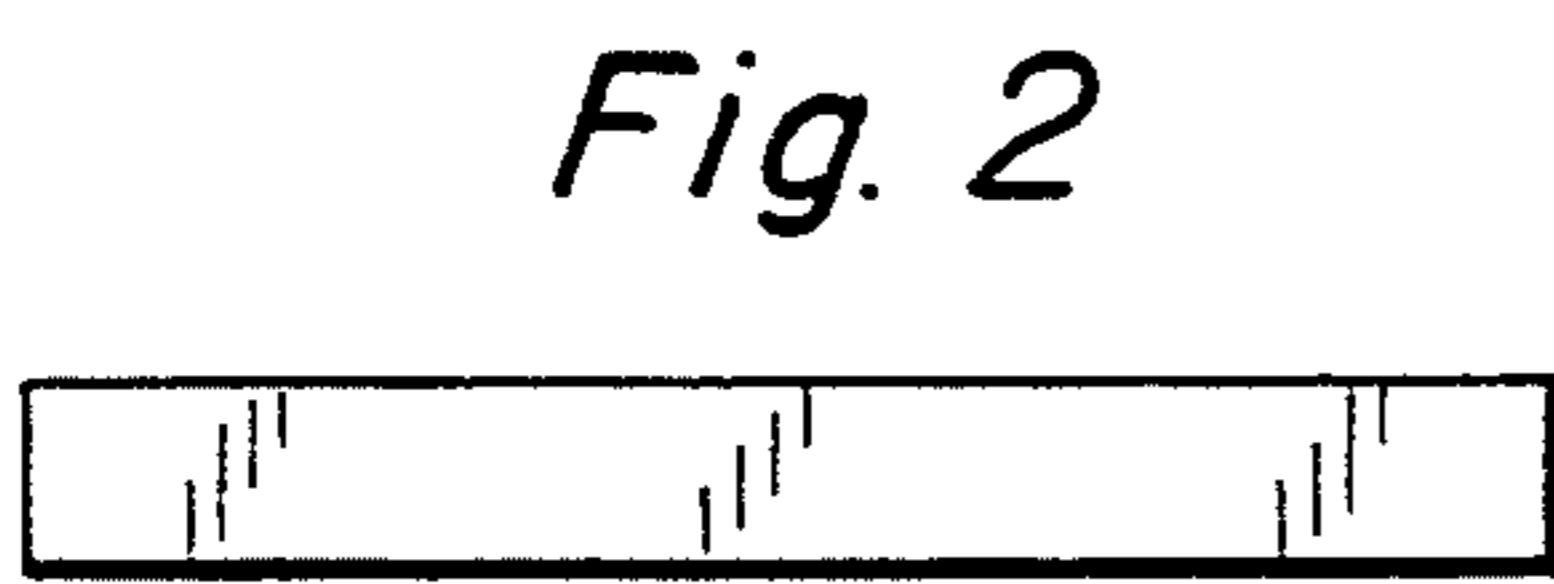
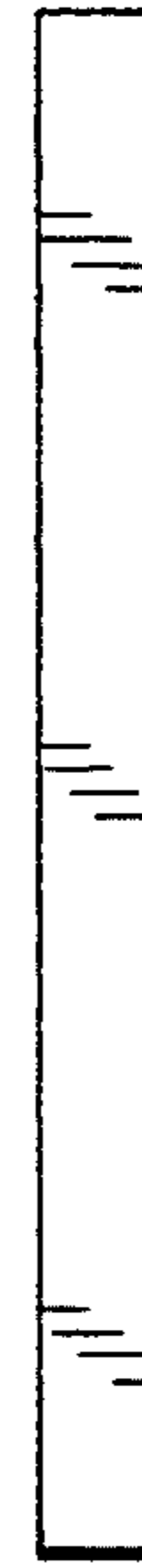
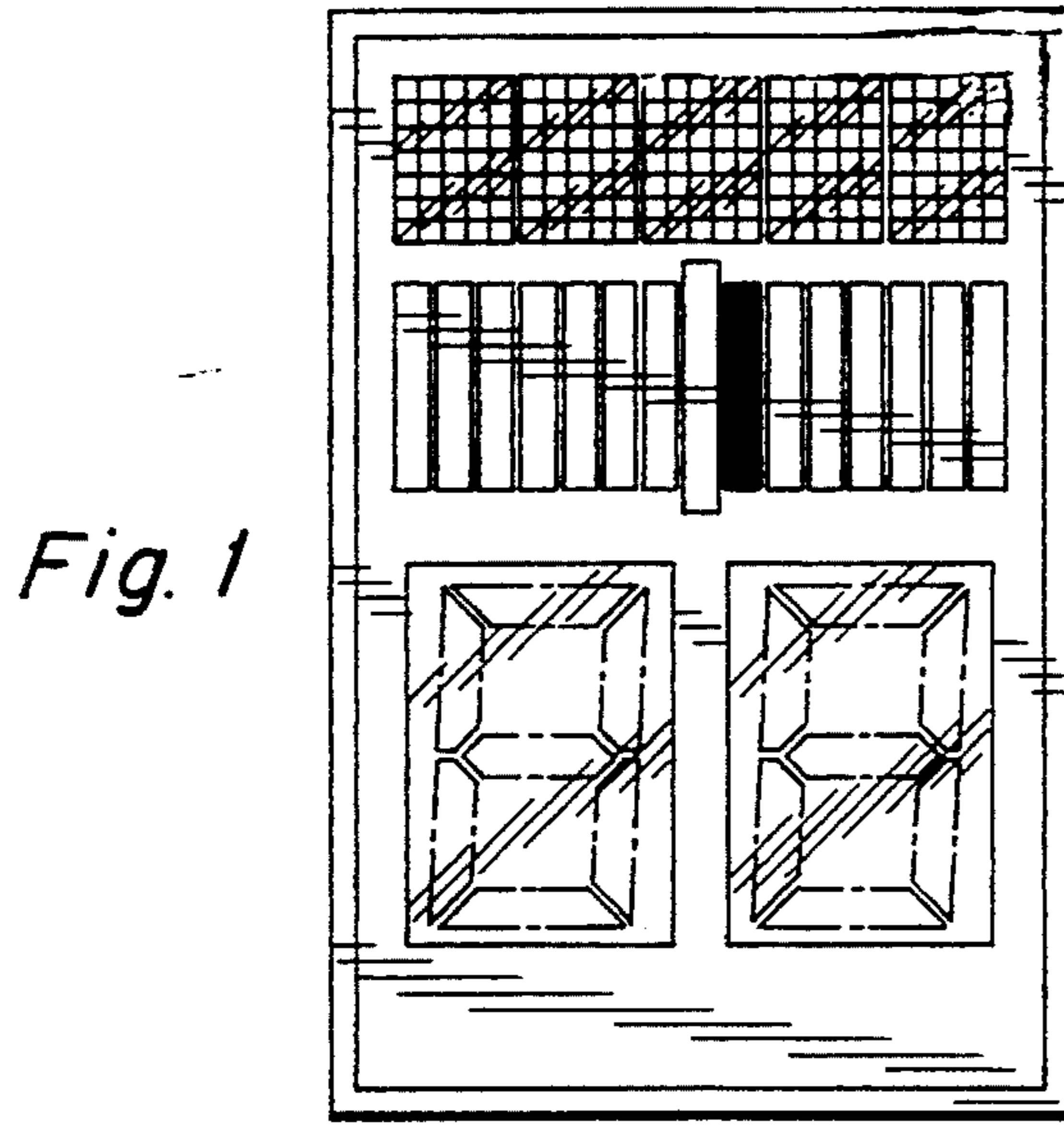


Fig. 4

Fig. 5

Fig. 6

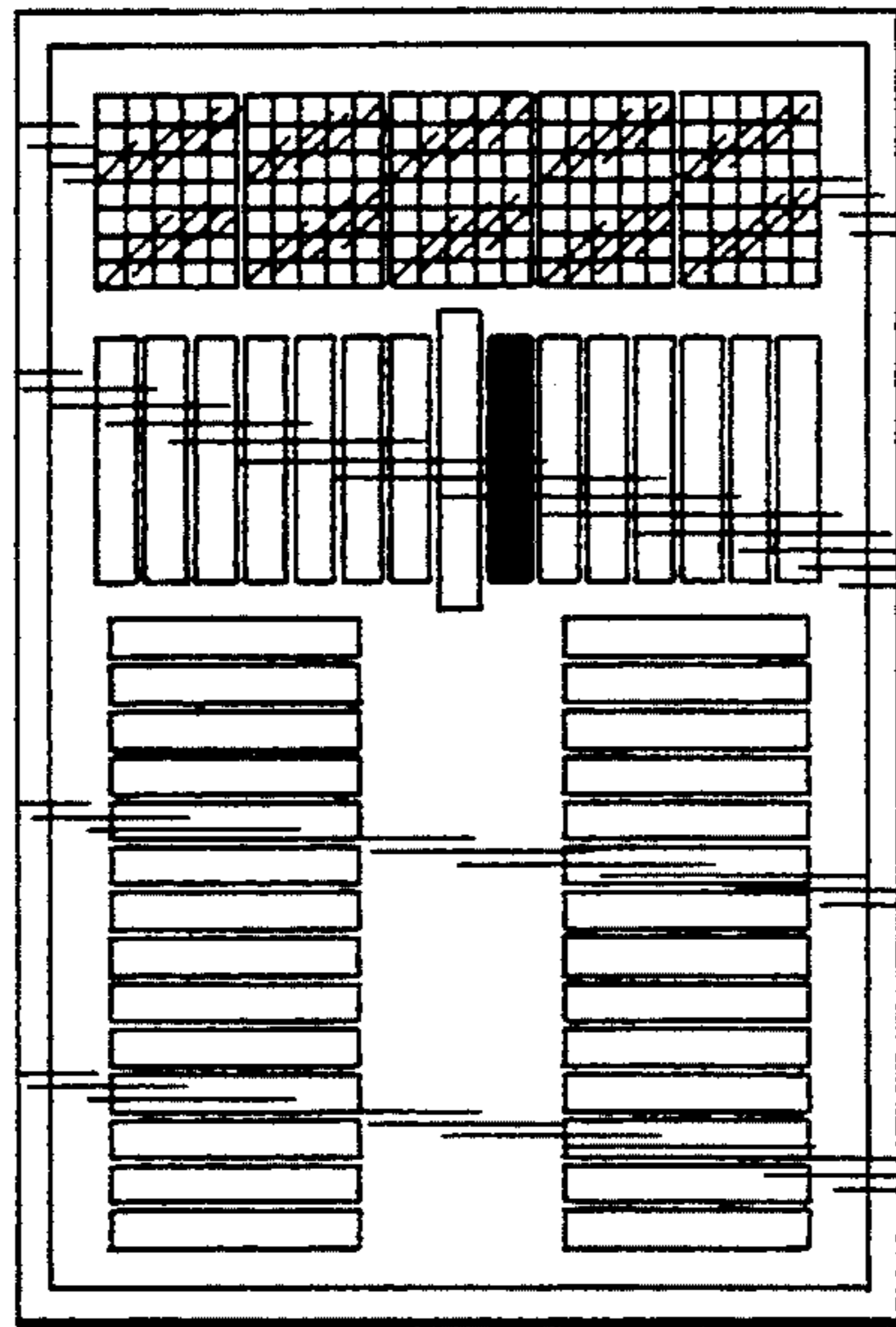


Fig. 8



Fig. 7

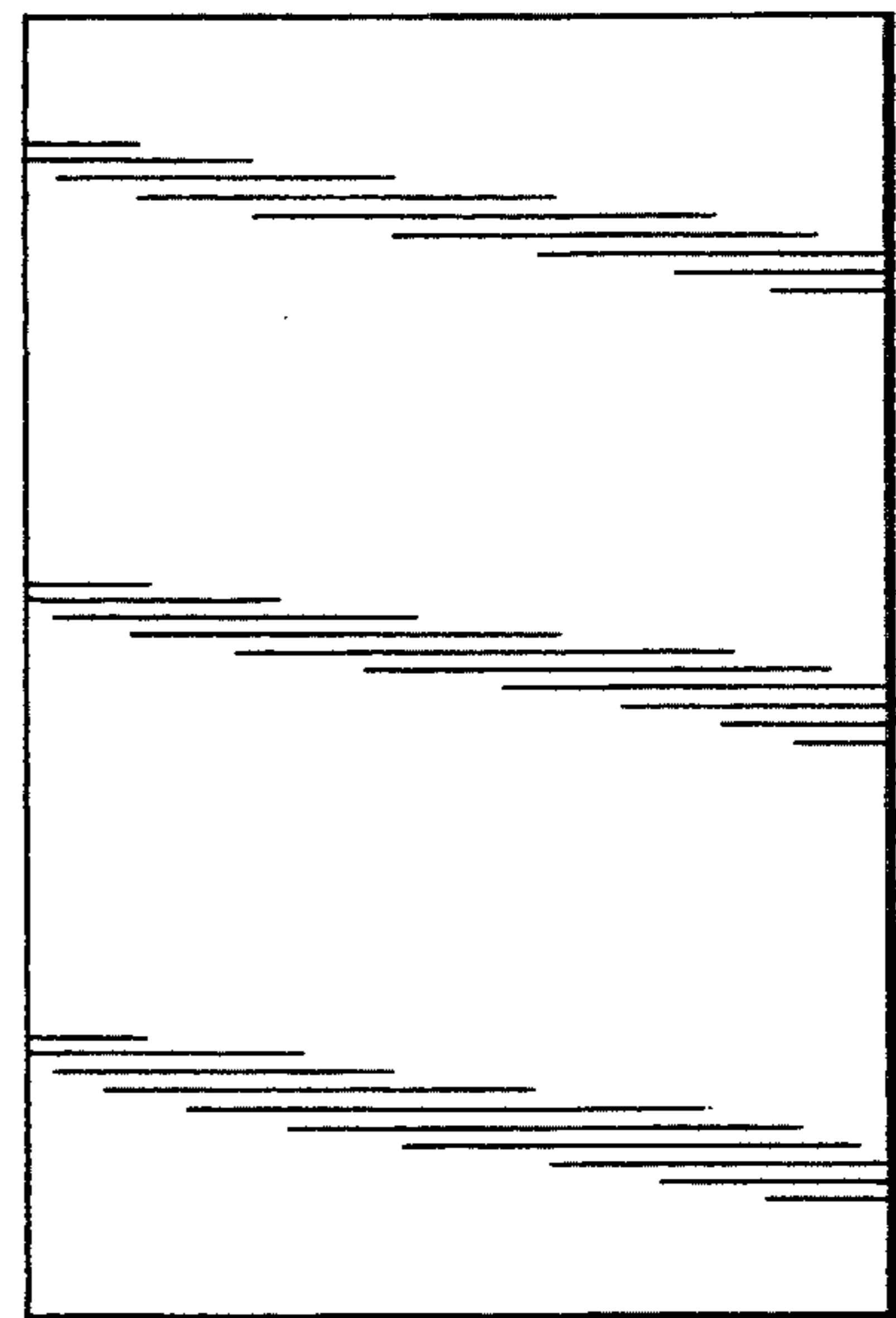


Fig. 9

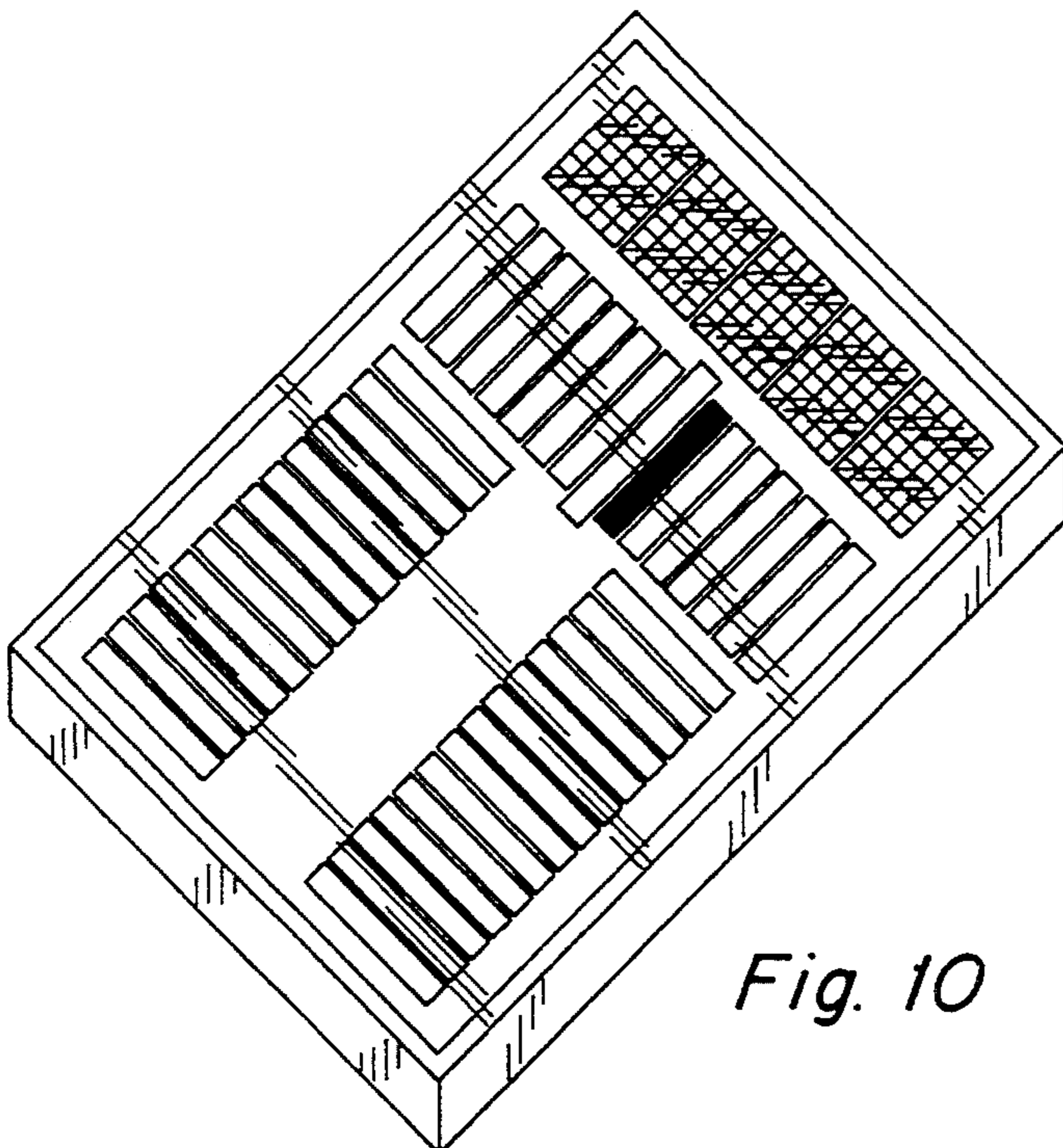


Fig. 10