



US00D362199S

United States Patent [19]

Evans

[11] Patent Number: Des. 362,199

[45] Date of Patent: ** Sep. 12, 1995

[54] WATER SKIER SAFETY FLAG

[76] Inventor: Frank M. Evans, P.O. Box 52,
Wenden, Ariz. 85357

[**] Term: 14 Years

[21] Appl. No.: 29,836

[22] Filed: Oct. 17, 1994

[52] U.S. Cl. D10/109

[58] Field of Search D10/109, 111, 110, 121,
D10/115; D11/165, 166; 116/63 R, 63 P, 173,
174, 175, 28 R, 29, 30

3,046,934 7/1962 Swezy D10/109
 3,136,289 6/1964 Johnson 116/28 R
 3,974,369 8/1976 Chmela et al. D10/109

Primary Examiner—A. Hugo Word
 Assistant Examiner—Marcus Jackson
 Attorney, Agent, or Firm—Harpman & Harpman

[57] CLAIM

The ornamental design for a water skier safety flag, as shown and described.

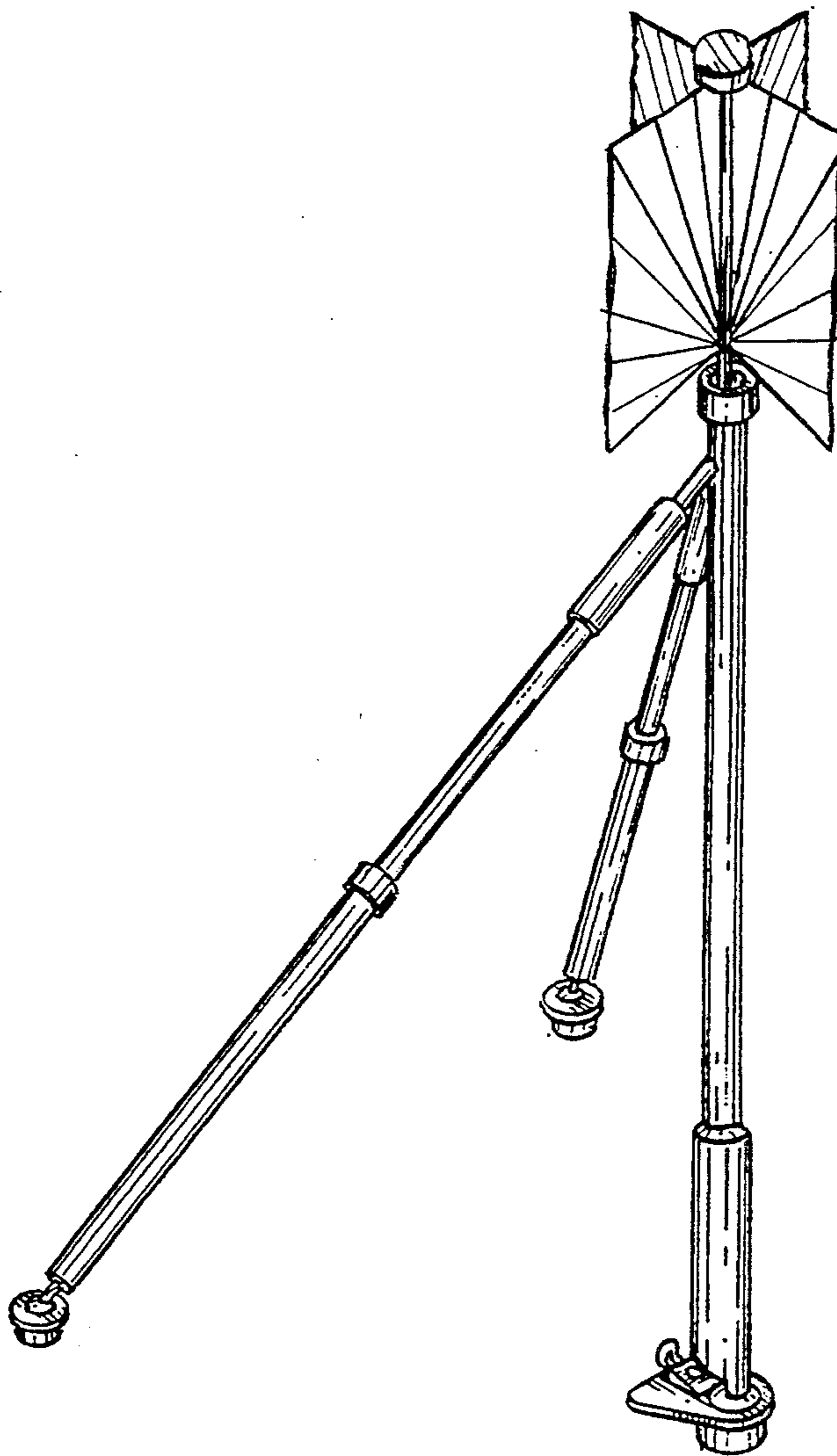
DESCRIPTION

FIG. 1 is a front, top and side perspective view of the water skier safety flag embodying the design of the present invention;
 FIG. 2 is a side elevational view thereof;
 FIG. 3 is a rear elevational view thereof;
 FIG. 4 is a front elevational view thereof;
 FIG. 5 is a top plan view thereof; and,
 FIG. 6 is as bottom plan view thereof.

[56] References Cited

U.S. PATENT DOCUMENTS

D. 220,408 4/1971 Nygaard D10/109
 D. 255,226 6/1980 Daniels D10/109
 2,638,867 5/1953 Felton D10/109
 2,781,017 2/1957 Fuller et al. D10/109



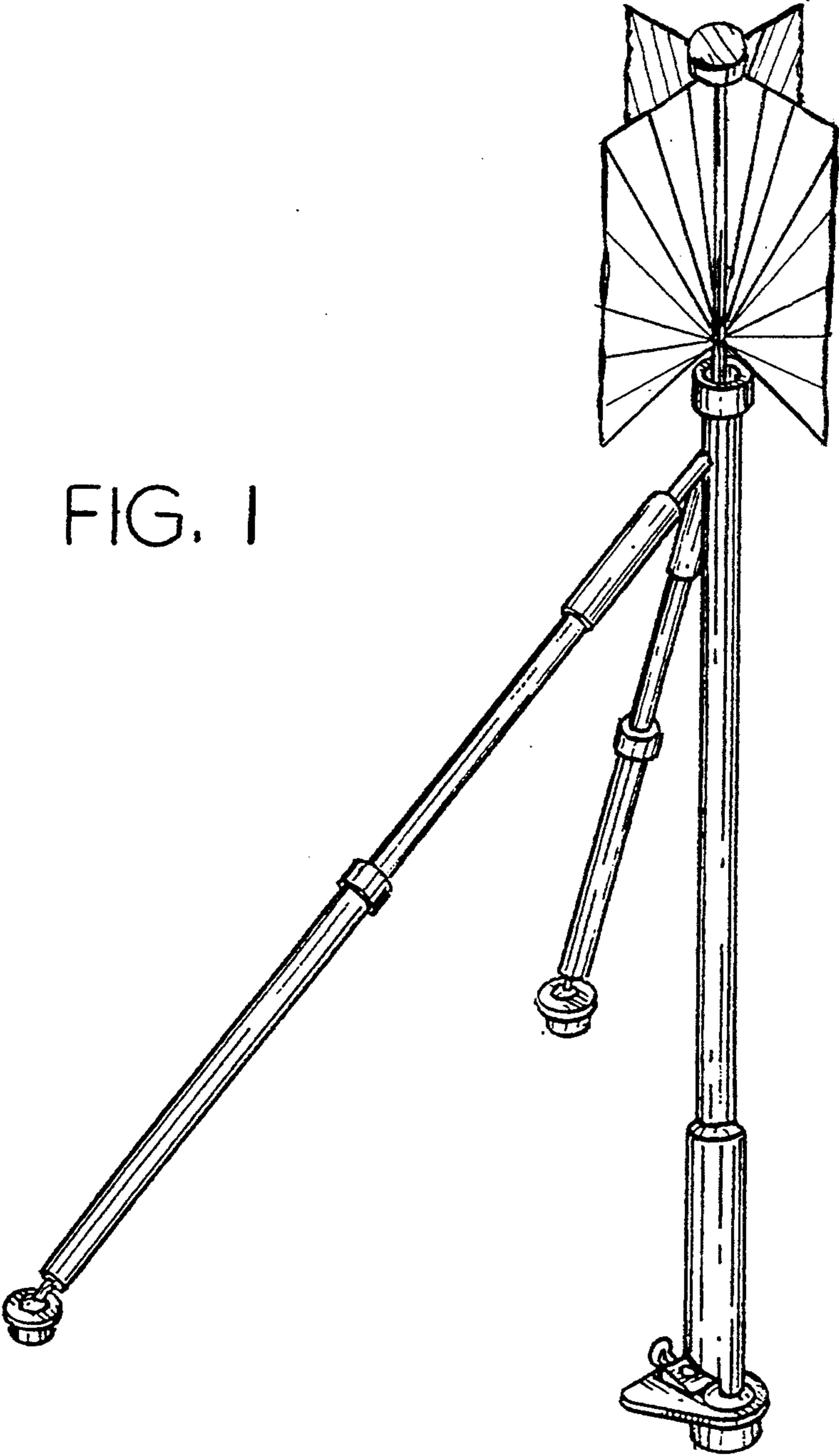


FIG. 1

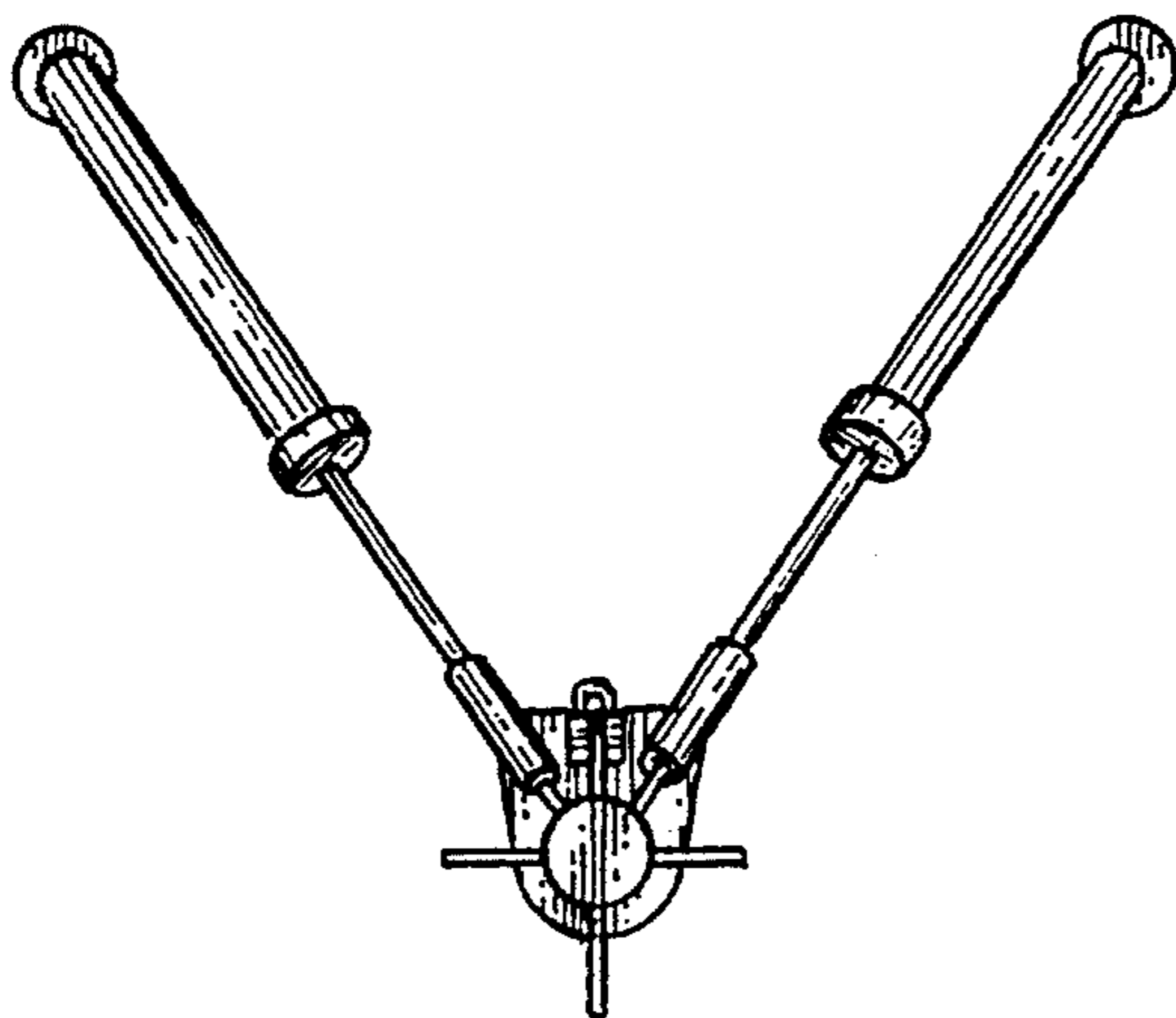
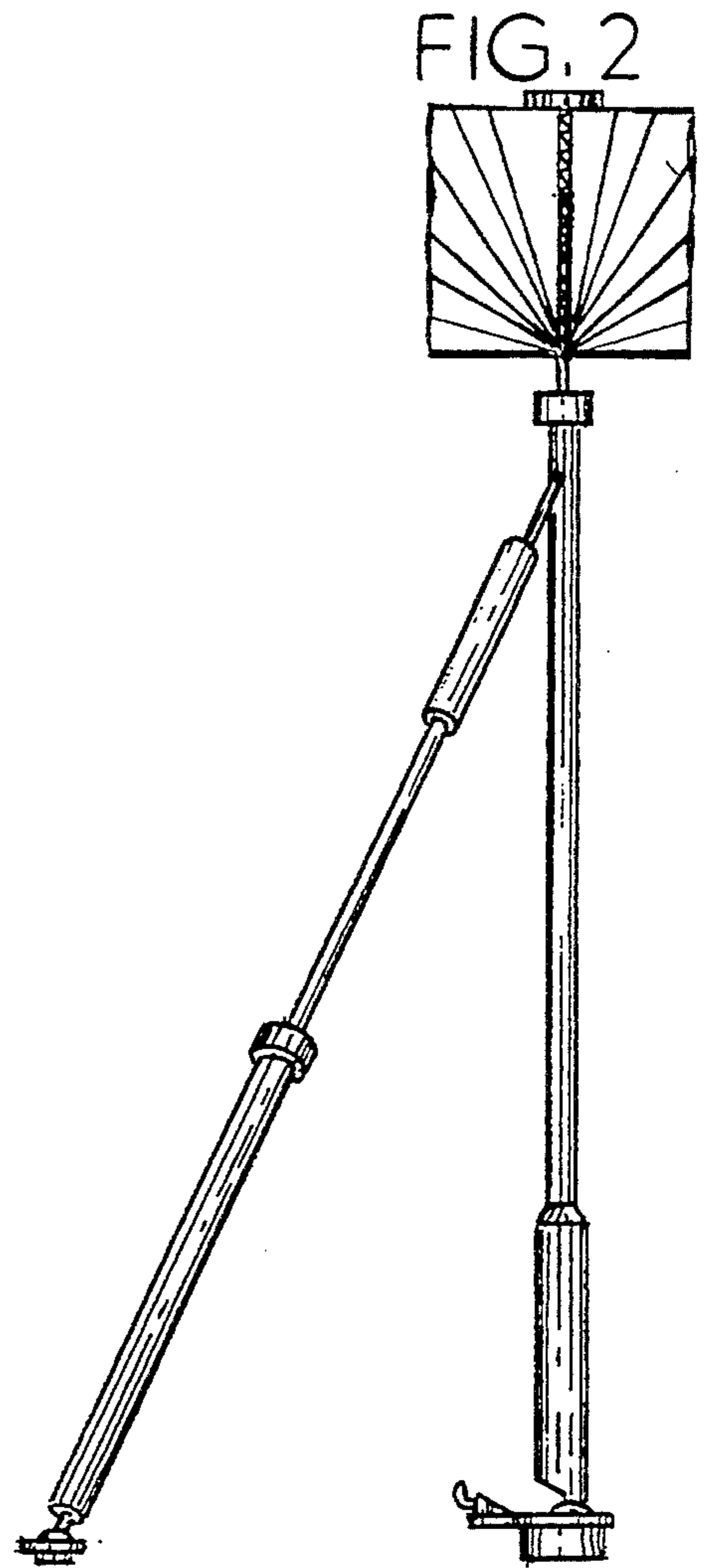
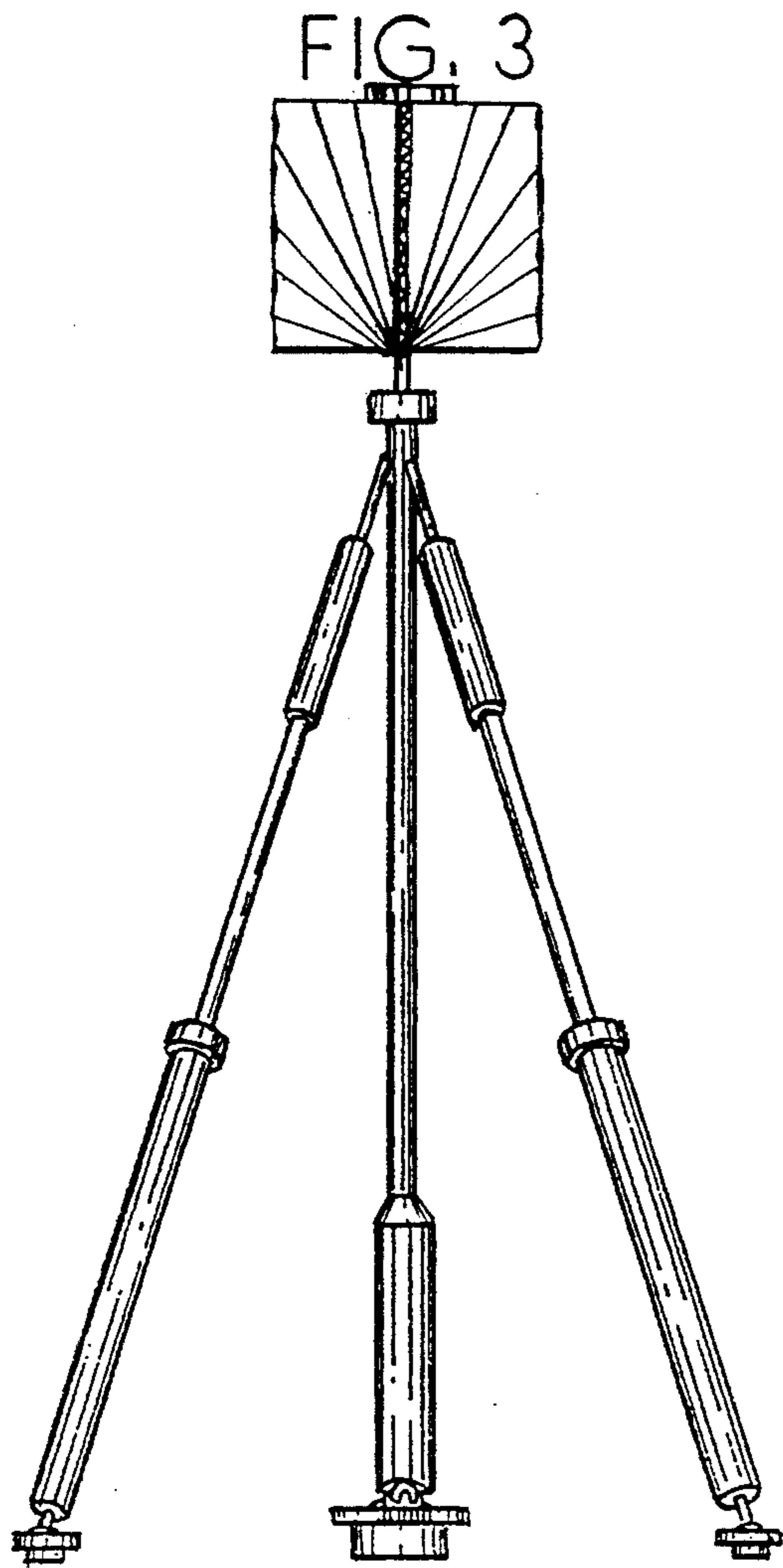


FIG. 5

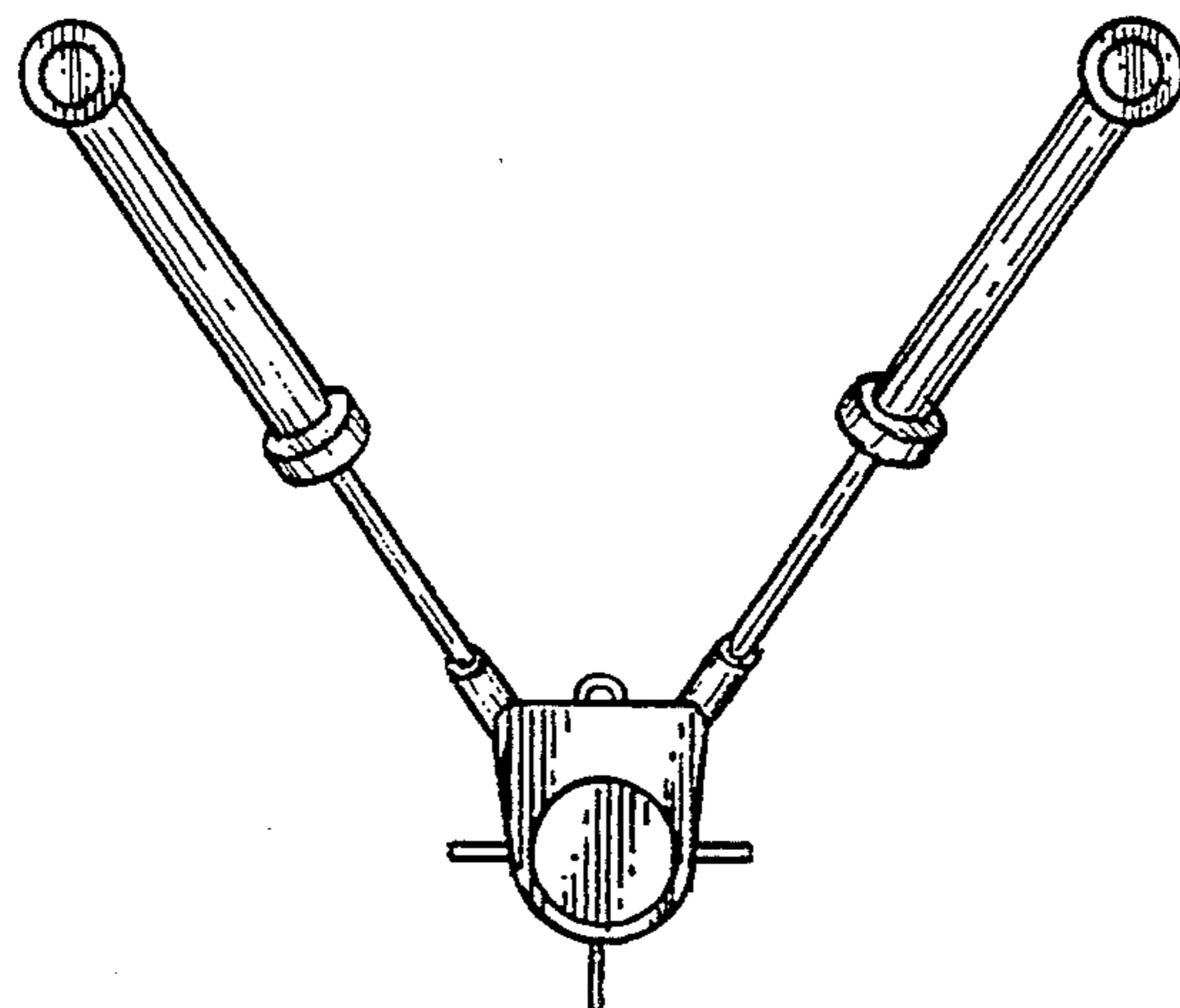
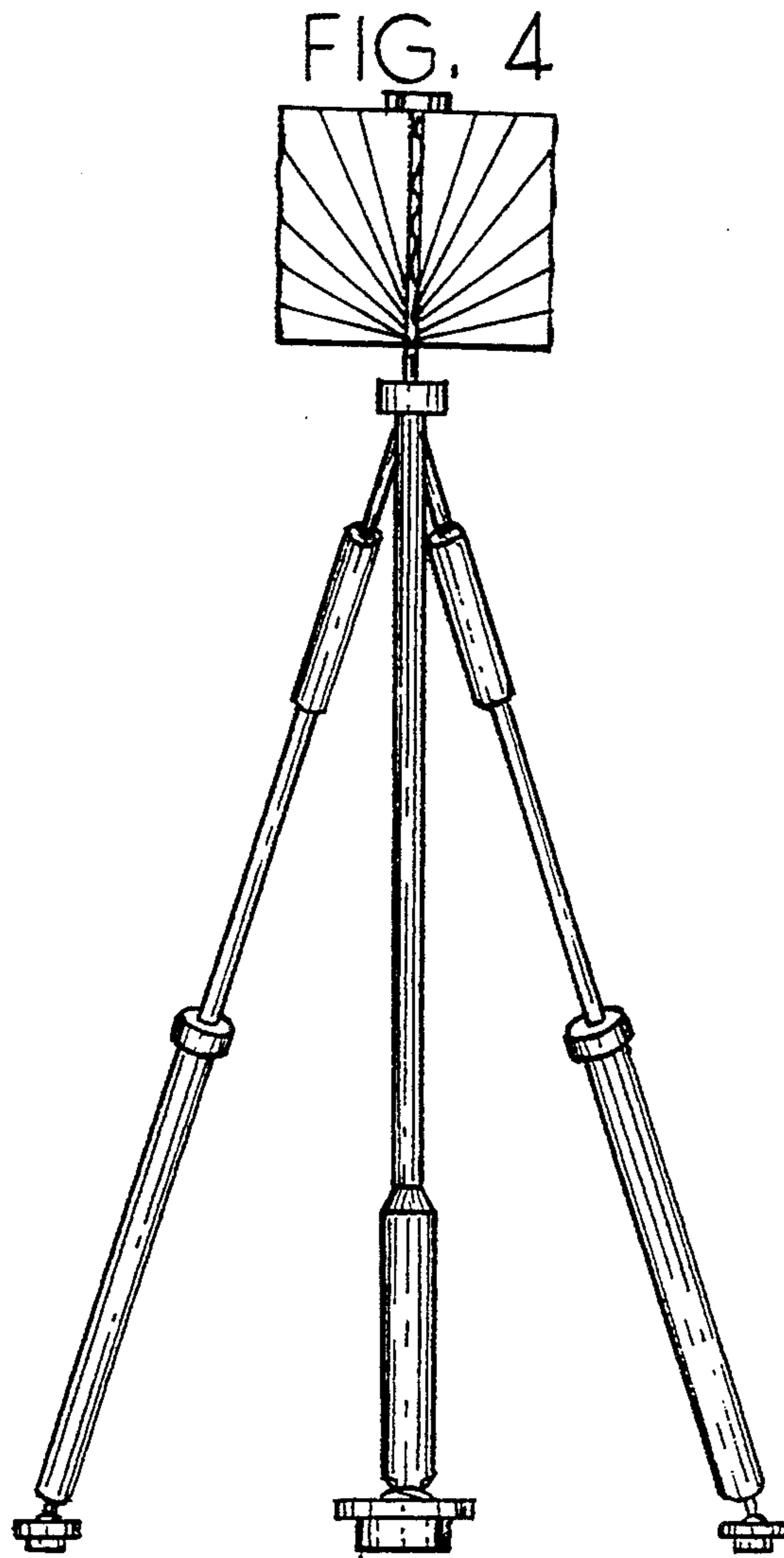


FIG. 6