



US00D362197S

United States Patent [19]

[11] Patent Number: **Des. 362,197**

Fujino

[45] Date of Patent: **** Sep. 12, 1995**

[54] **APPARATUS FOR MEASURING ELECTRIC FIELD STRENGTH**

[75] Inventor: **Yoshio Fujino, Kobe, Japan**

[73] Assignee: **DX Antenna Co., Ltd., Hyogo, Japan**

[**] Term: **14 Years**

[21] Appl. No.: **29,251**

[22] Filed: **Sep. 30, 1994**

[30] **Foreign Application Priority Data**

Mar. 30, 1994 [JP] Japan 6-8990

[52] U.S. Cl. **D10/75; D10/46**

[58] Field of Search D10/46, 75, 78, 80;
250/227.14, 226, 231.1, 287; 324/22, 22.5, 95,
96, 115, 133, 457, 458; 340/600, 661

[56] **References Cited**

U.S. PATENT DOCUMENTS

D. 251,484 4/1979 Howard D10/75
2,815,483 12/1957 Kaufman 324/72

2,848,681 8/1958 McKeige et al. 324/72 X
3,049,663 8/1962 Sauer 324/72.5 X
3,944,354 3/1976 Benwood et al. 324/72
4,520,318 5/1985 Hascal et al. 324/457
5,334,831 8/1994 Maurice 324/96 X

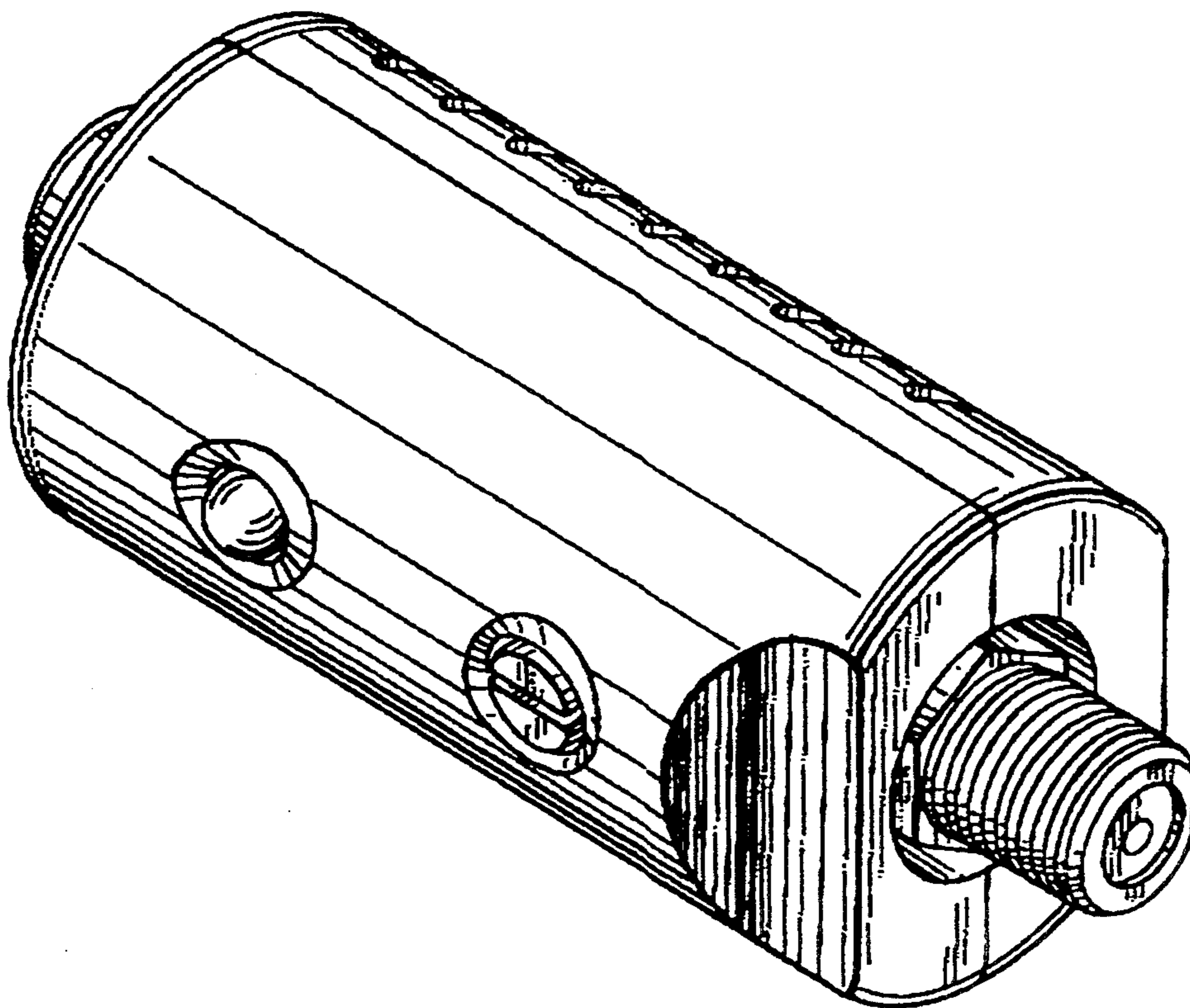
Primary Examiner—Antoine Duval Davis
Attorney, Agent, or Firm—Helfgott & Karas

[57] **CLAIM**

The ornamental design for an apparatus for measuring electric field strength, as shown.

DESCRIPTION

FIG. 1 is a top and front perspective view of a first embodiment of the apparatus for measuring electric field strength;
FIG. 2 is a top view thereof;
FIG. 3 is a front view thereof;
FIG. 4 is a rear view thereof;
FIG. 5 is a left side view thereof;
FIG. 6 is a right side view thereof; and,
FIG. 7 is a bottom view thereof.



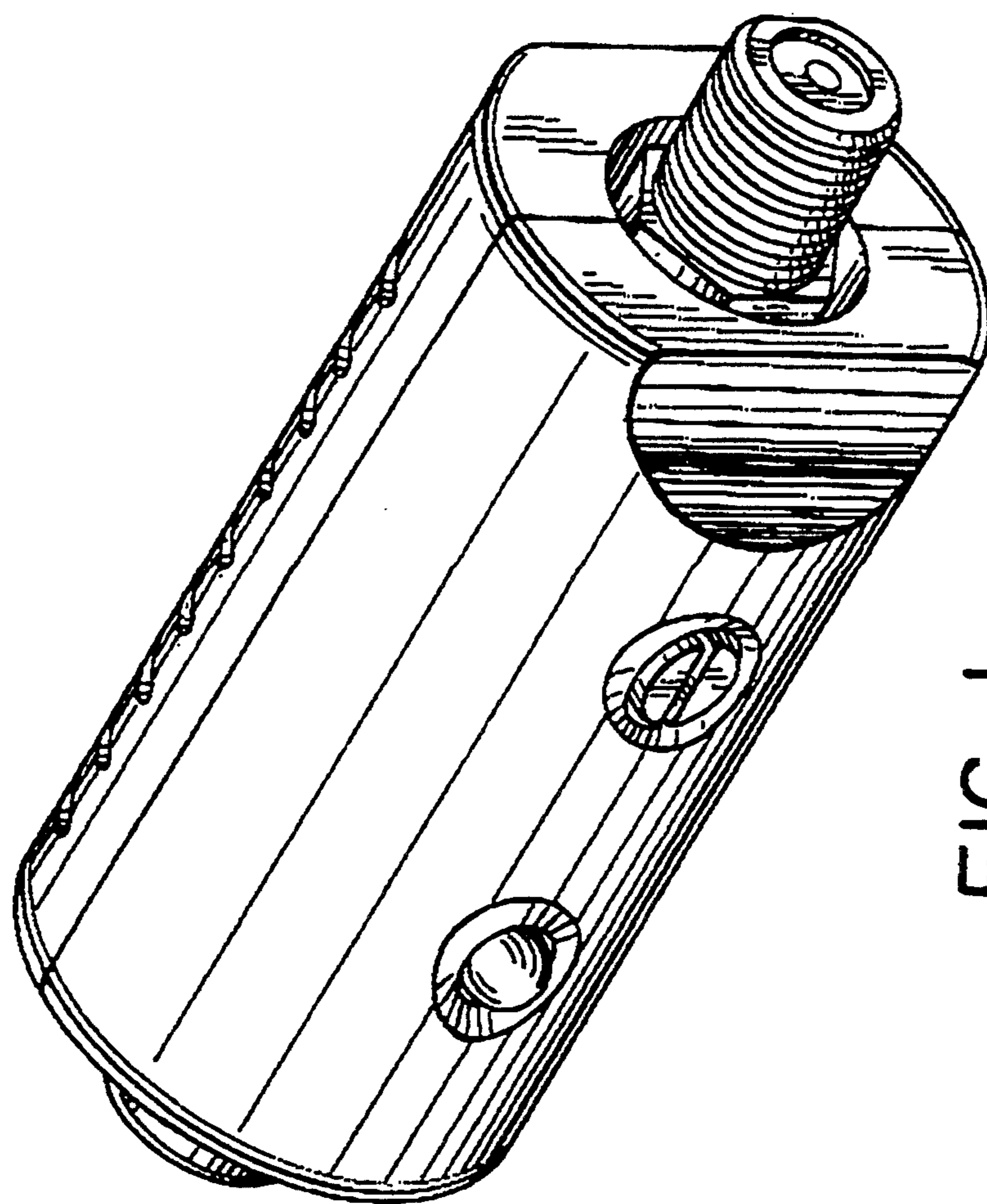


FIG. 1

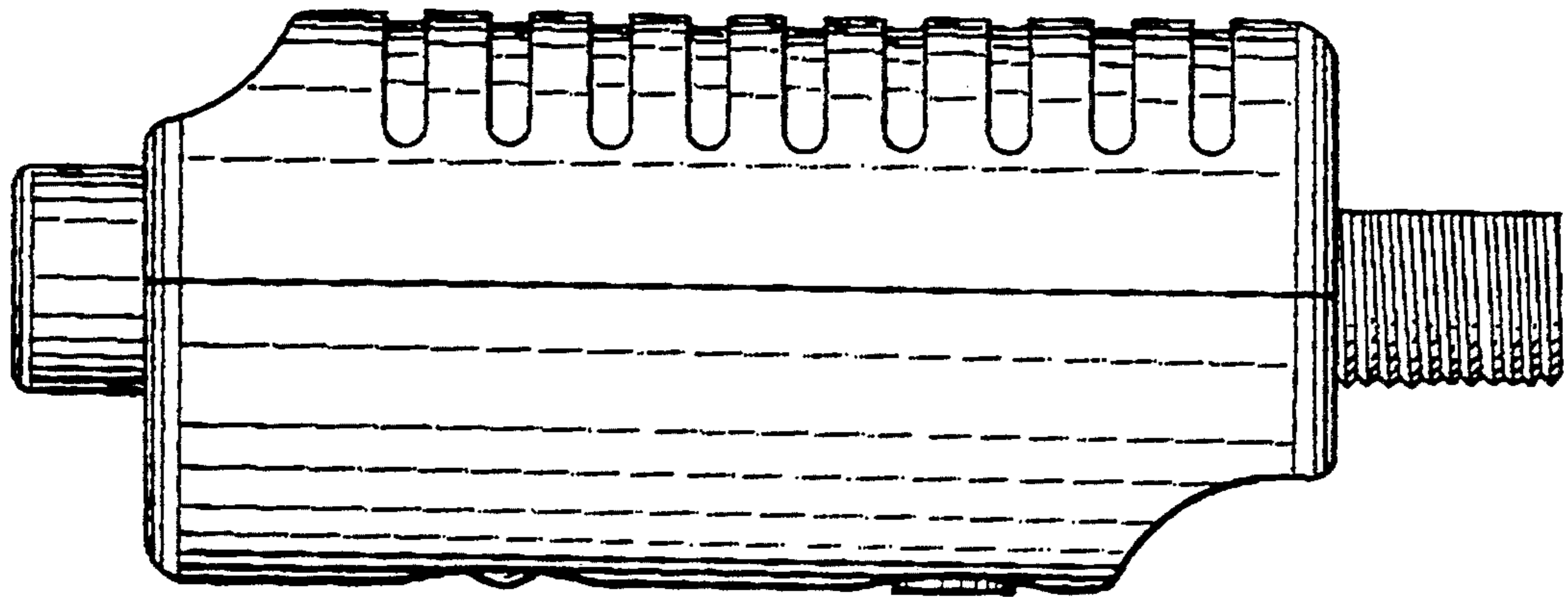


FIG. 2

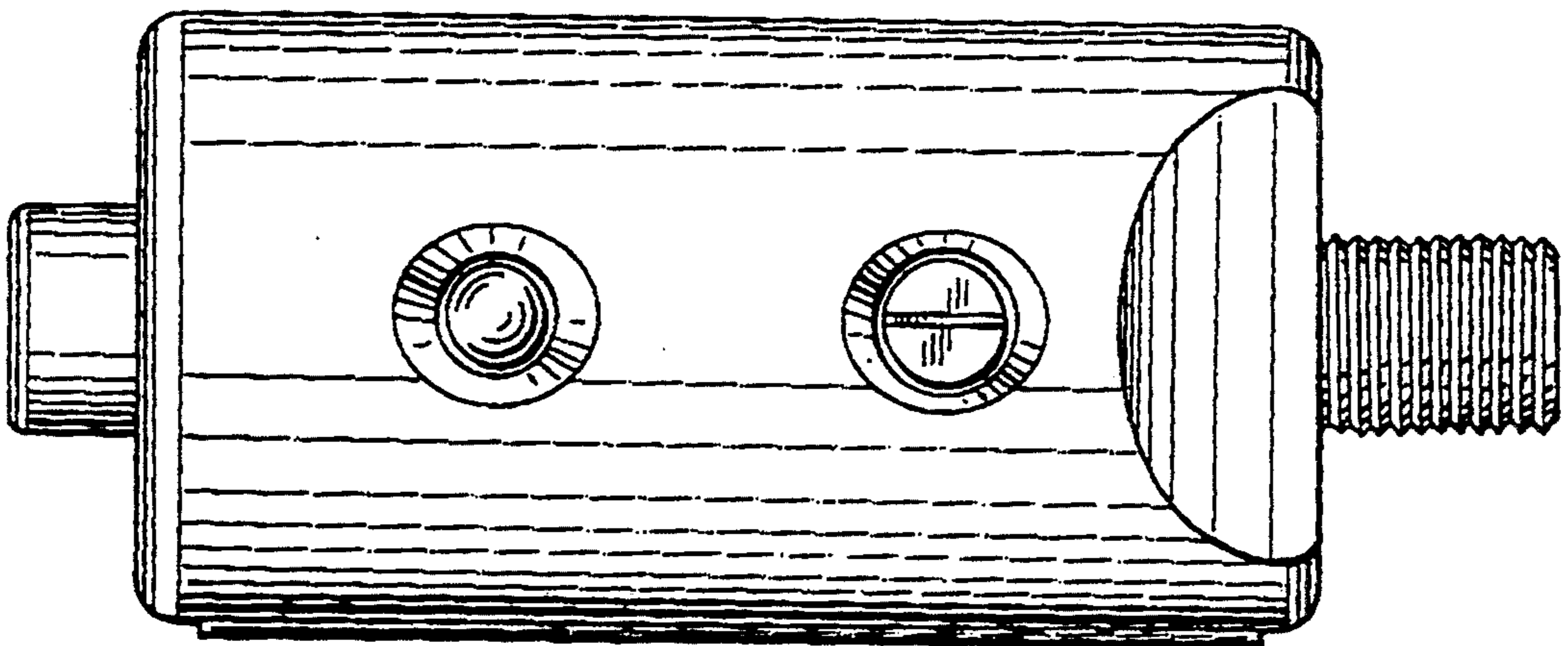


FIG. 3

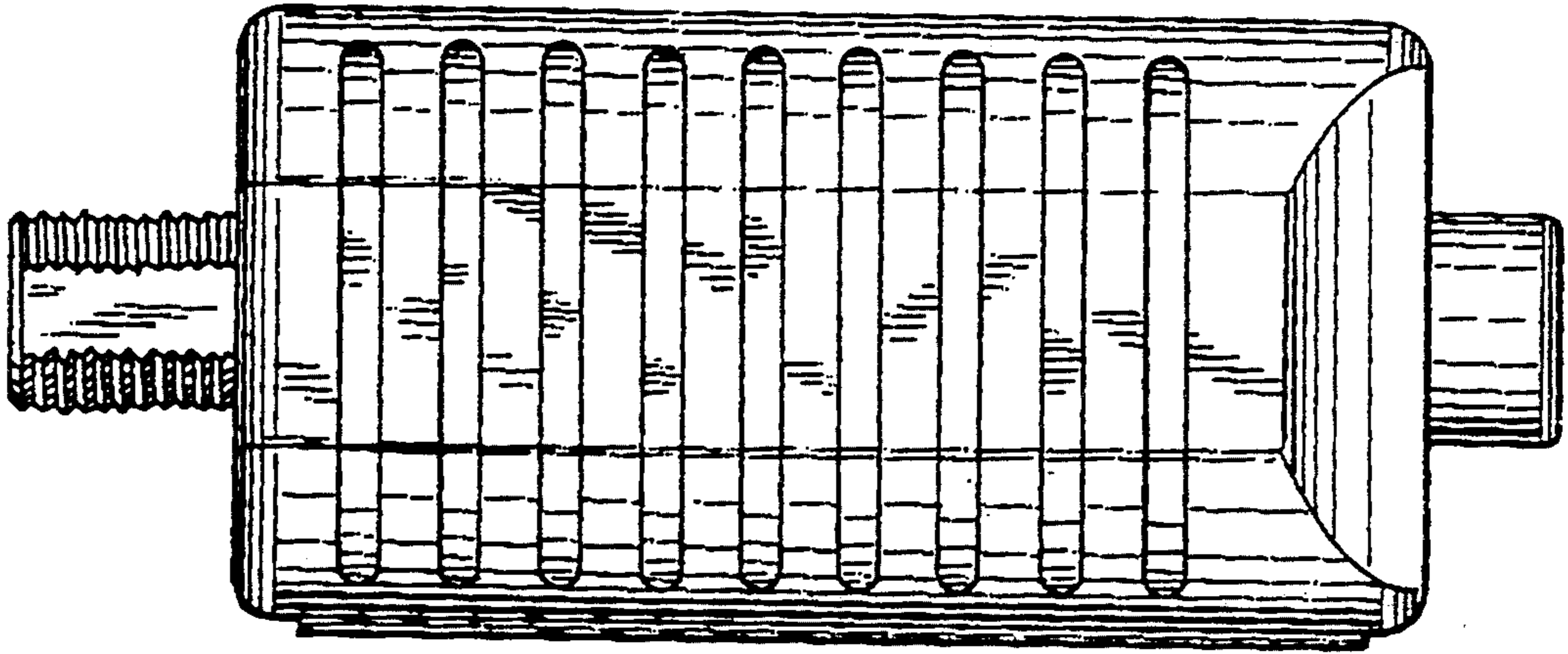


FIG. 4

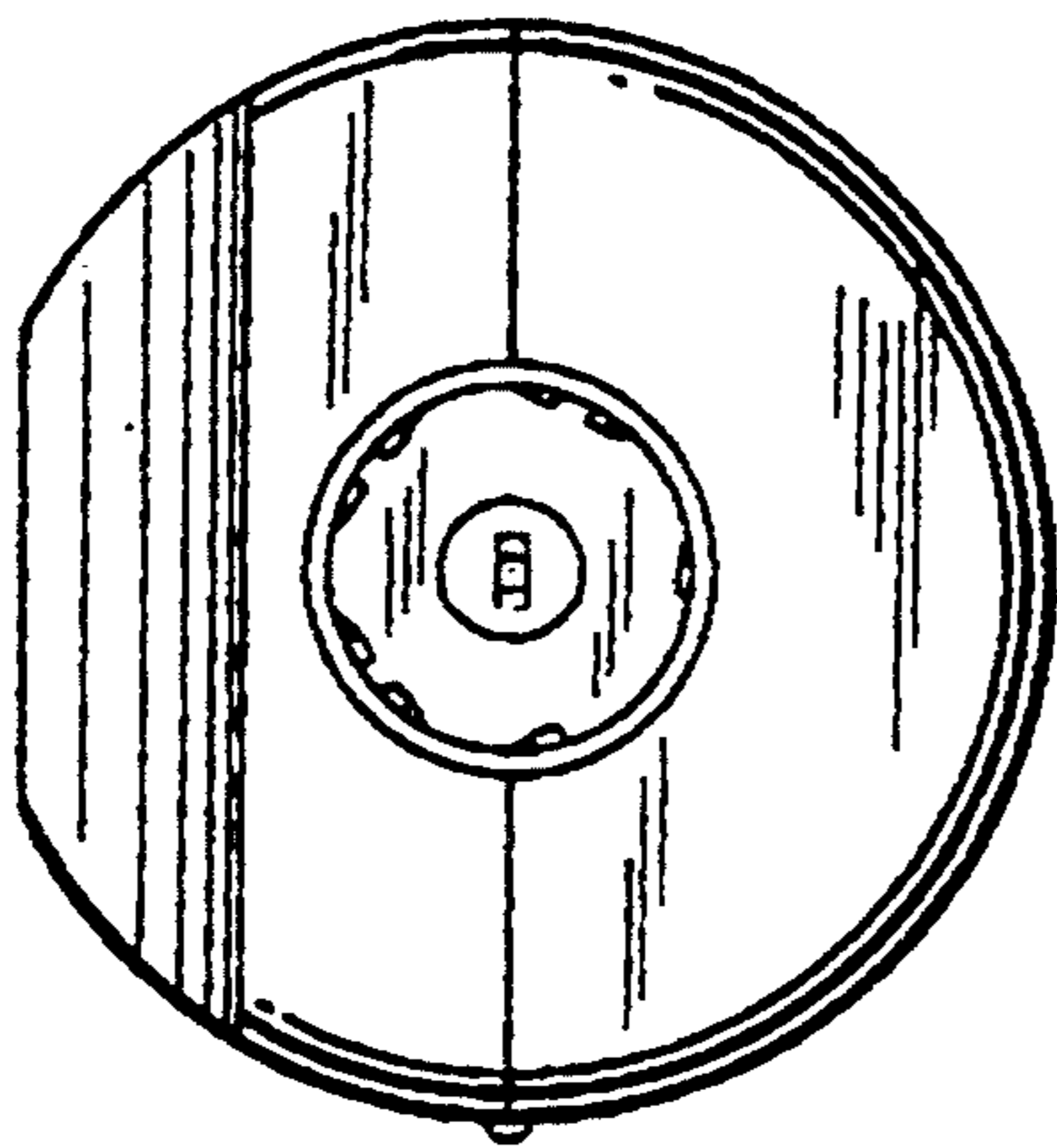


FIG. 5

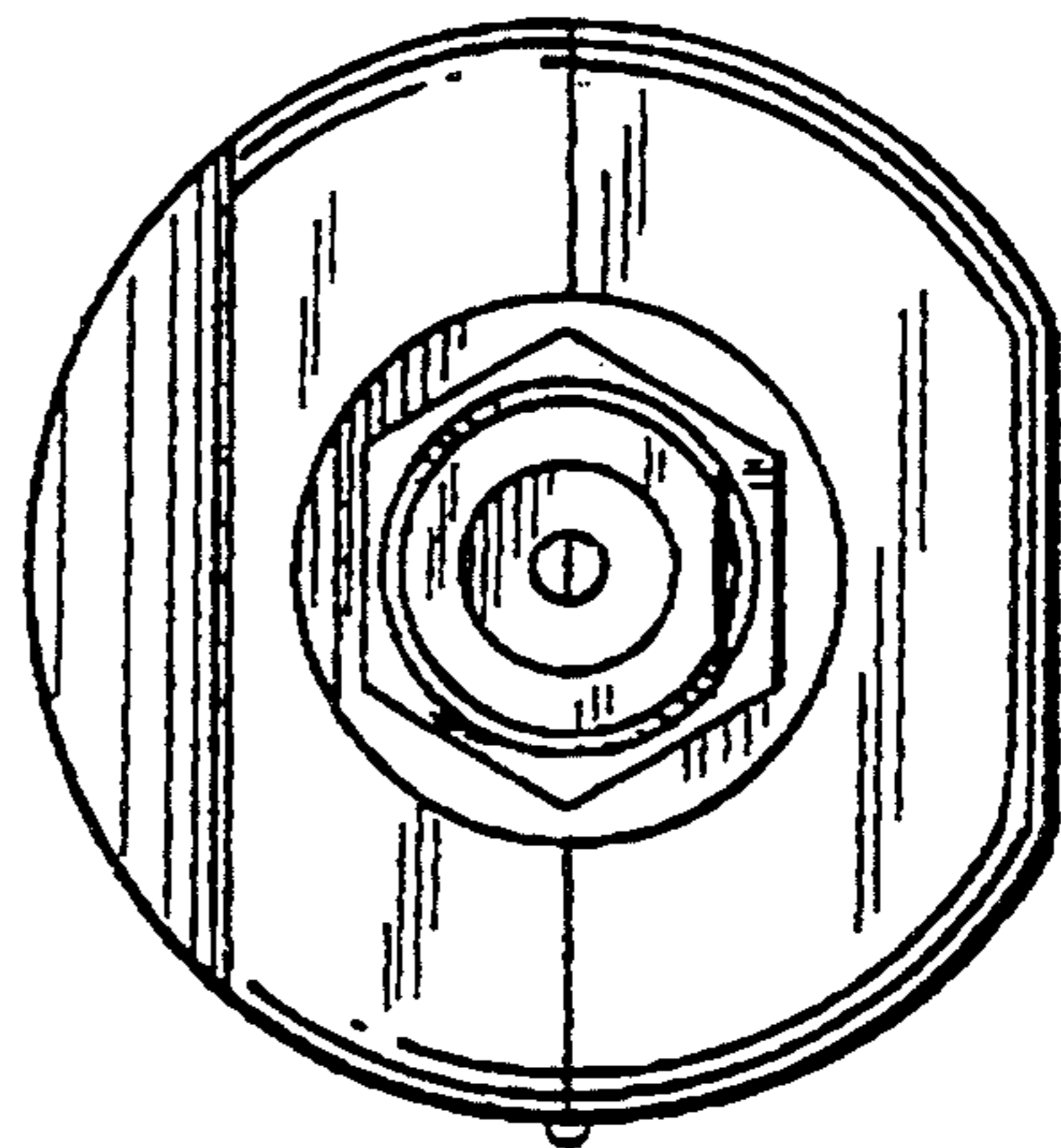


FIG. 6

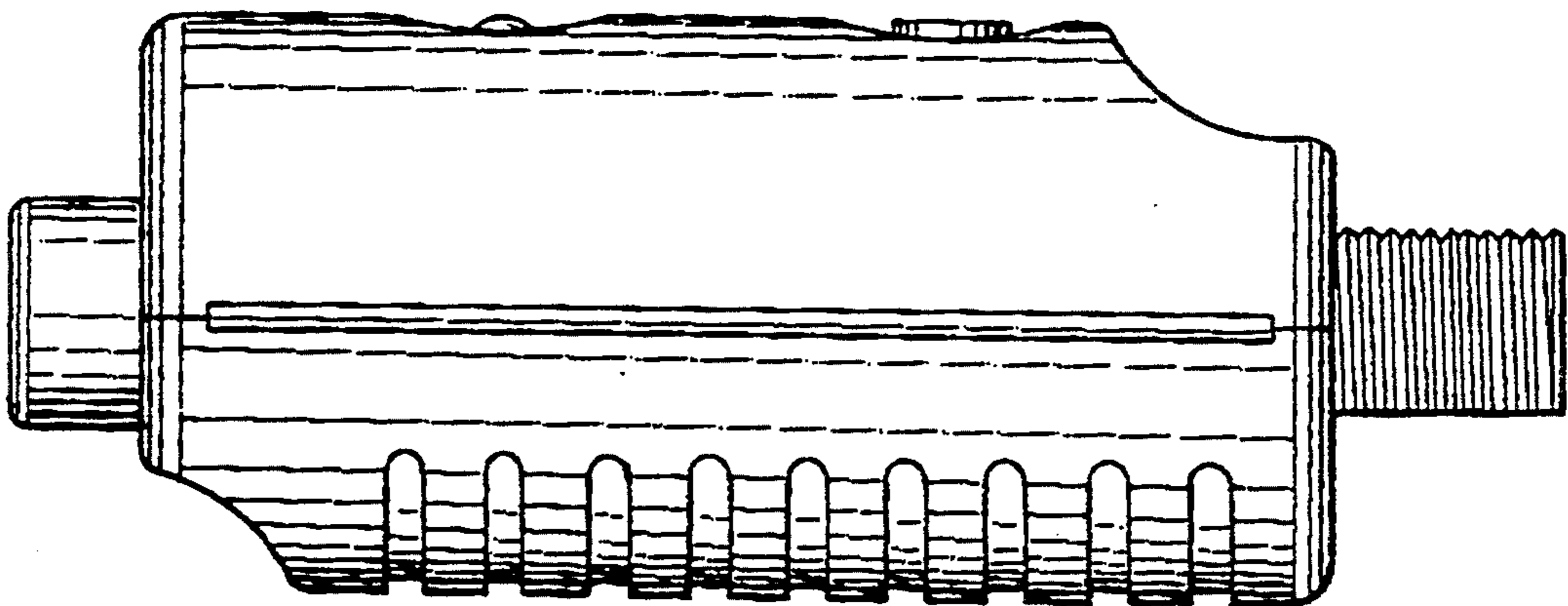


FIG. 7