



US00D362194S

United States Patent [19]

[11] Patent Number: **Des. 362,194**

Dumas

[45] Date of Patent: **** Sep. 12, 1995**

[54] **WRISTWATCH**

[75] Inventor: **Jean-Louis Dumas, Paris, France**

[73] Assignee: **La Montre Hermes, Limited
Company of Switzerland, Bienne,
Switzerland**

[**] Term: **14 Years**

[21] Appl. No.: **16,698**

[22] Filed: **Dec. 22, 1993**

[30] **Foreign Application Priority Data**

Jun. 24, 1993 [FR] France DM/026489

[52] U.S. Cl. **D10/32; D10/132;
D10/30; D10/39**

[58] Field of Search **D10/1-40,
D10/122-132; 368/295, 280-282, 276-277,
285; D11/3-6**

[56] **References Cited**

U.S. PATENT DOCUMENTS

D. 47,148 3/1915 Wells D11/4
D. 162,961 4/1951 Katz D10/132

D. 255,884 7/1980 Trapp D11/6
D. 282,533 2/1986 Bulgari D11/3
2,182,830 12/1939 Vedder D11/3 X
2,237,675 4/1941 Lazrus D10/132 X

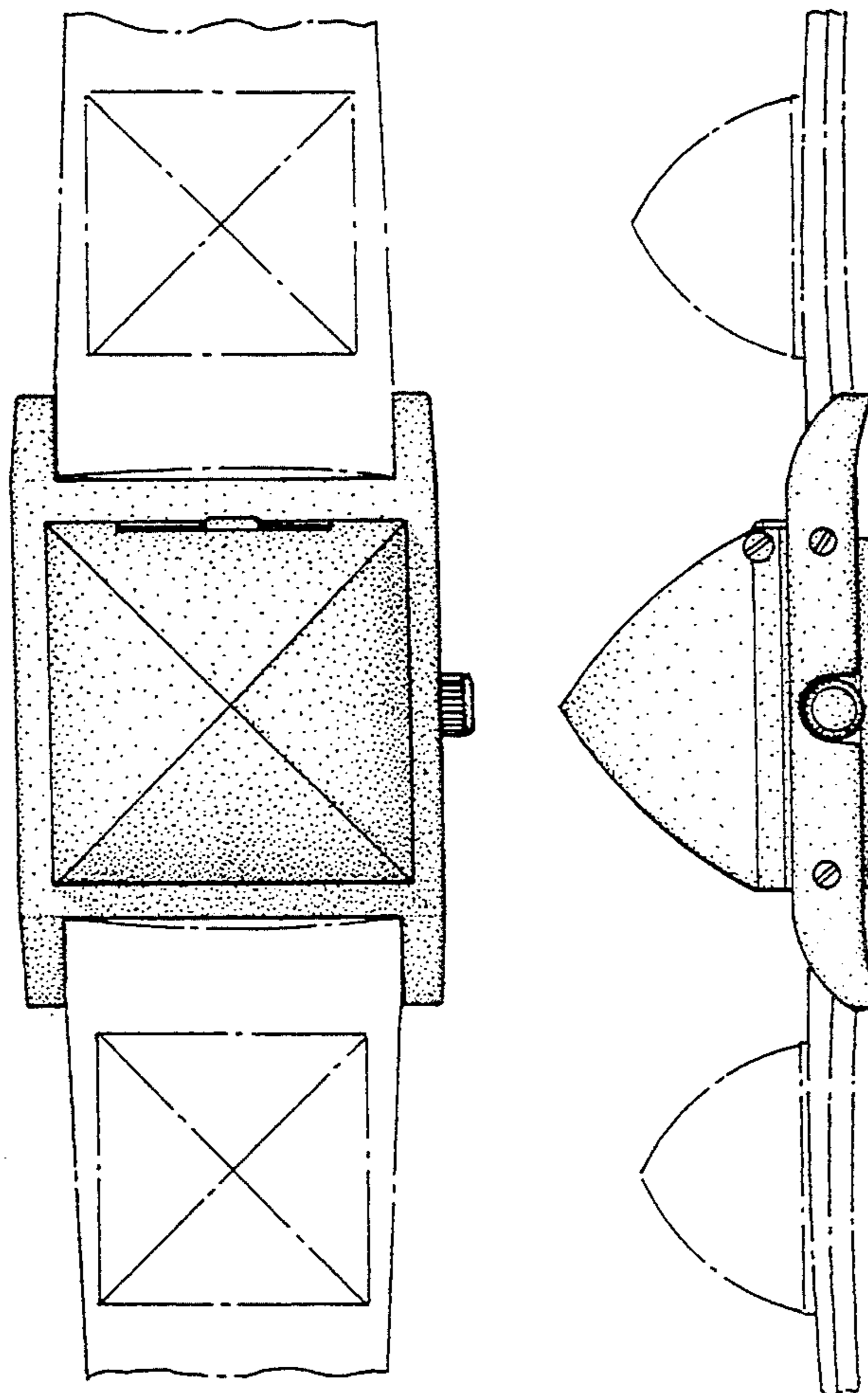
Primary Examiner—Nelson C. Holtje
Attorney, Agent, or Firm—Popham, Haik, Schnobrich &
Kaufman, Ltd.

[57] **CLAIM**

The ornamental design for a wristwatch, as shown and described.

DESCRIPTION

FIG. 1 is a top plan view of a wristwatch showing my new design with the cap closed;
FIG. 2 is a right side elevational view thereof;
FIG. 3 is a bottom plan view thereof;
FIG. 4 is a front end elevational view thereof;
FIG. 5 is a left side elevational view thereof;
FIG. 6 is a top plan view thereof with the cap opened;
and,
FIG. 7 is a right side elevational view of FIG. 6.
The broken line showings of band portions in all figures are environmental only and form no part of the claimed design.



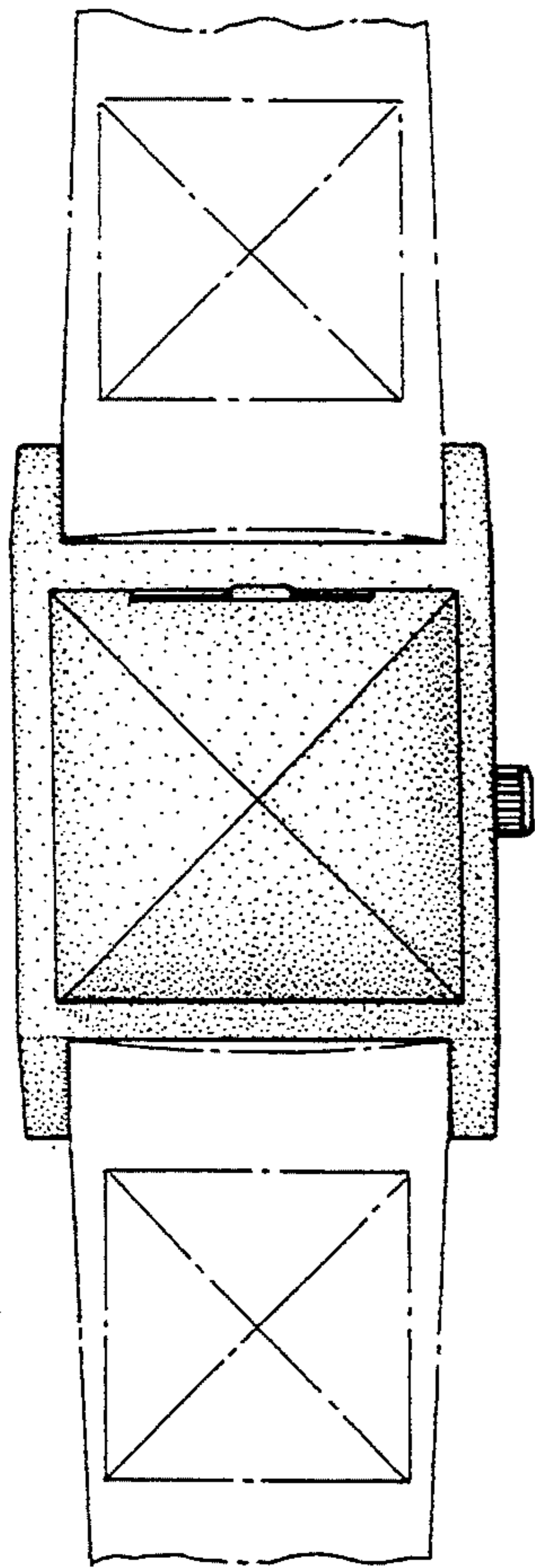


FIG. 1

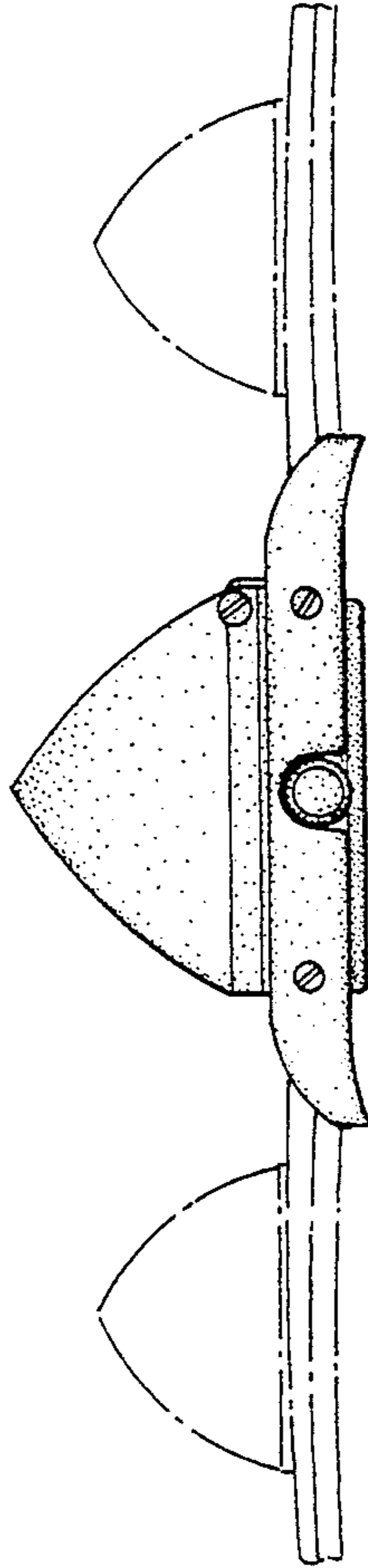


FIG. 2

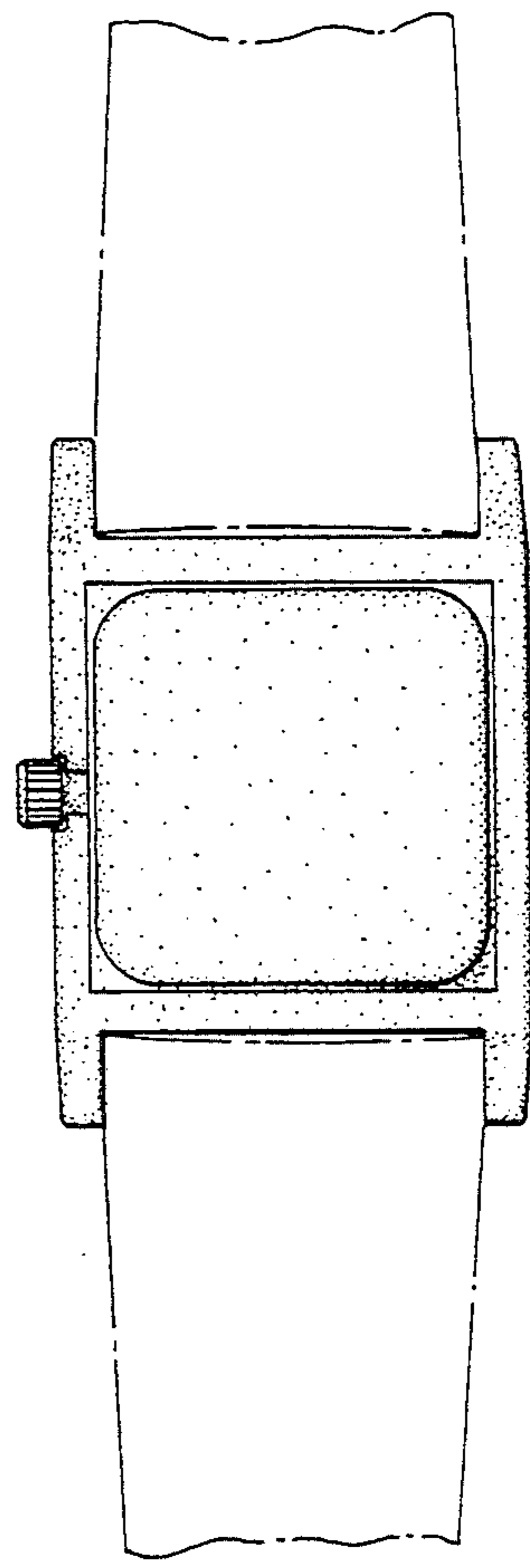


FIG. 3

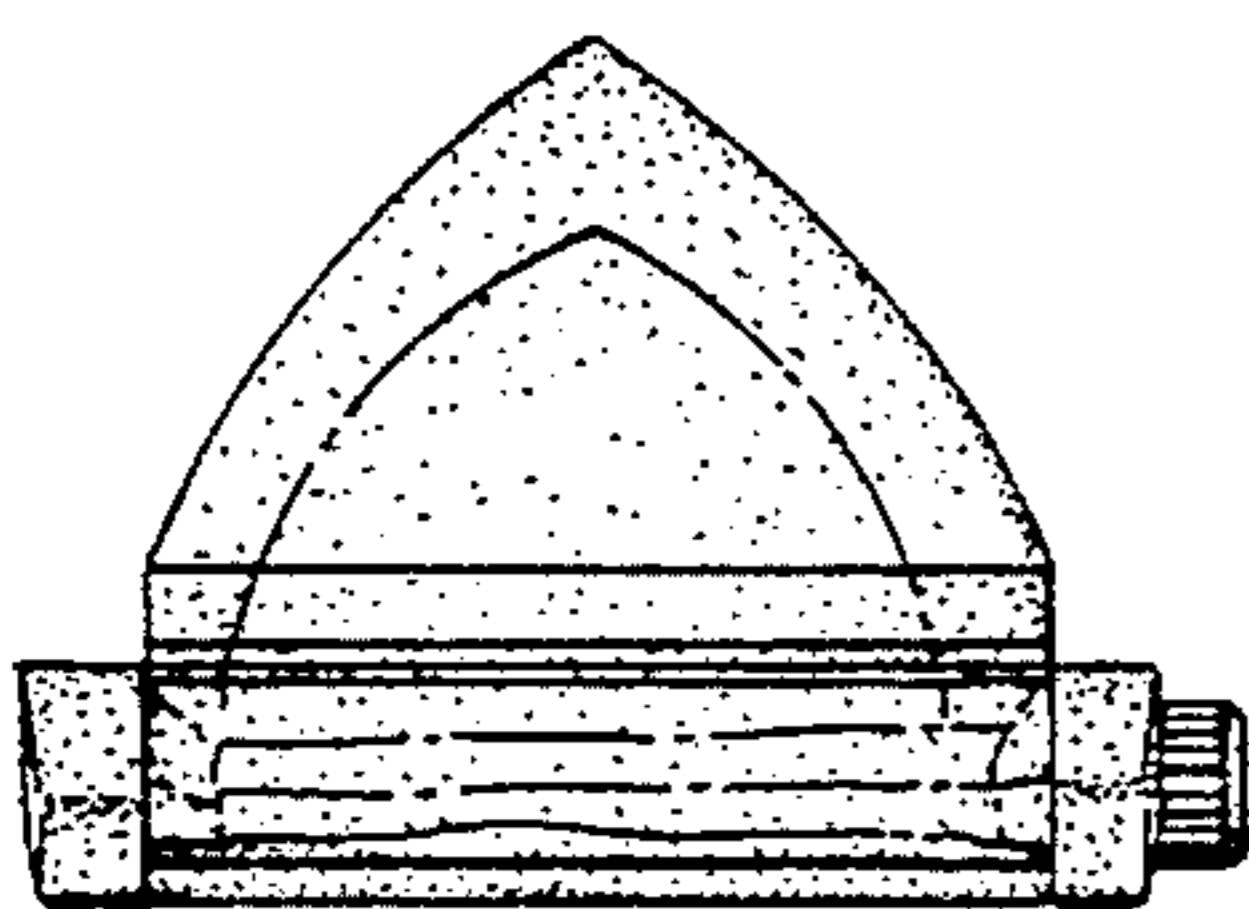


FIG. 4

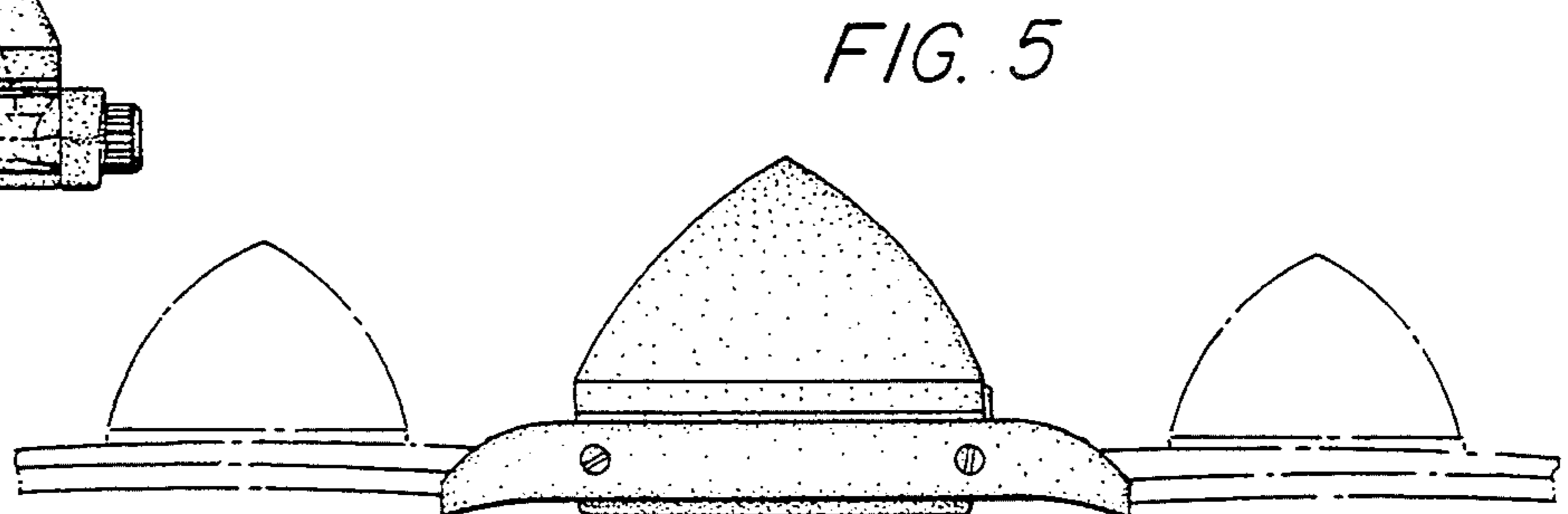


FIG. 5

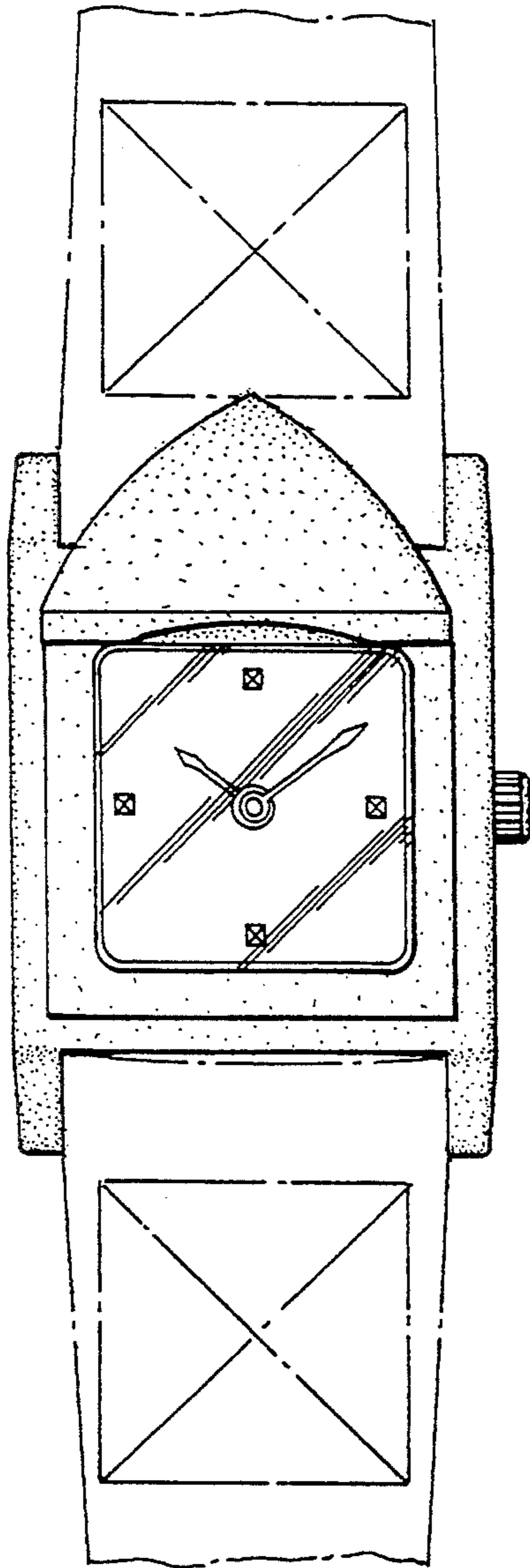


FIG. 6

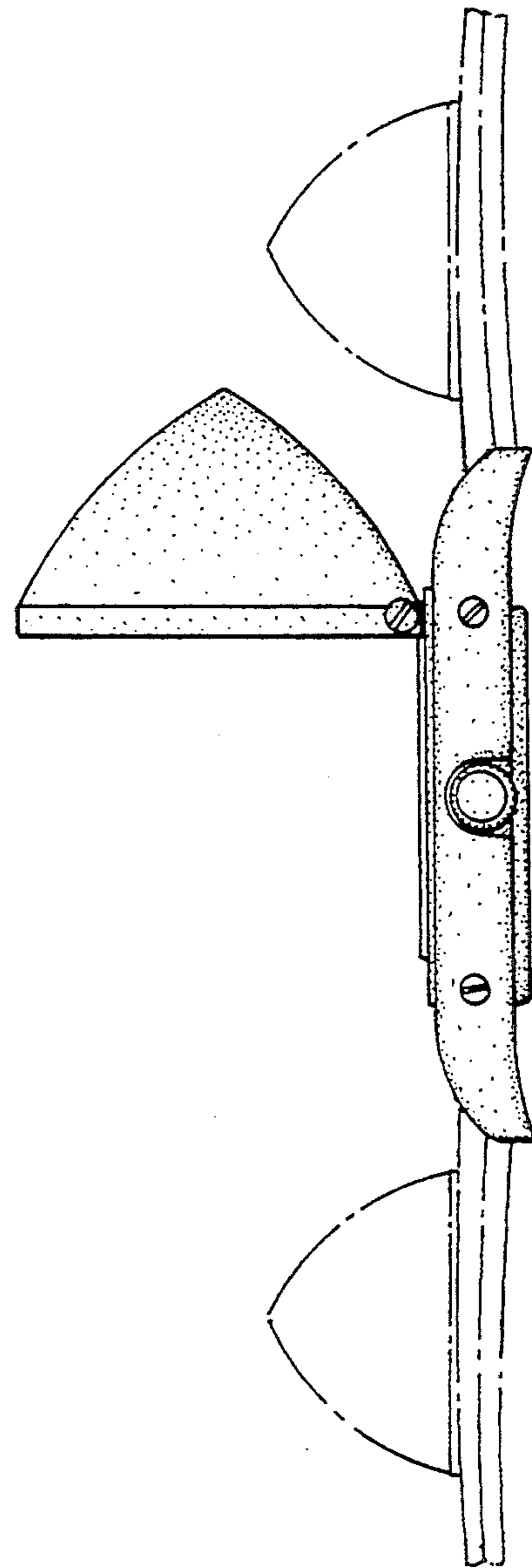


FIG. 7