



US00D362186S

# United States Patent [19]

[11] Patent Number: **Des. 362,186**

Thanisch

[45] Date of Patent: **\*\* Sep. 12, 1995**

[54] SNAP-IN CLOSURE

D. 265,060	6/1982	Blank	.....	D9/446
D. 278,414	4/1985	Cho	.....	D9/446
D. 305,493	1/1990	Ryser	.....	D7/391

[75] Inventor: **Klaus Thanisch**, Bullay, Germany

[73] Assignee: **Zeller Plastik GmbH**, Zell/Mosel, Germany

[\*\*] Term: **14 Years**

*Primary Examiner*—Alan P. Douglas  
*Assistant Examiner*—R. Spear  
*Attorney, Agent, or Firm*—Kane, Dalsimer, Sullivan, Kurucz, Levy, Eisele and Richard

[21] Appl. No.: **8,555**

[57] **CLAIM**

[22] Filed: **May 19, 1993**

The ornamental design of a snap-in closure, as shown and described.

[52] U.S. Cl. .... **D9/446; D9/447**

[58] Field of Search ..... D7/387, 391, 629;  
D9/434-436, 440, 446-447, 449, 451-452;  
215/235, 237, 306-307; 220/306-307, 375;  
222/543, 563, 565, 569-570

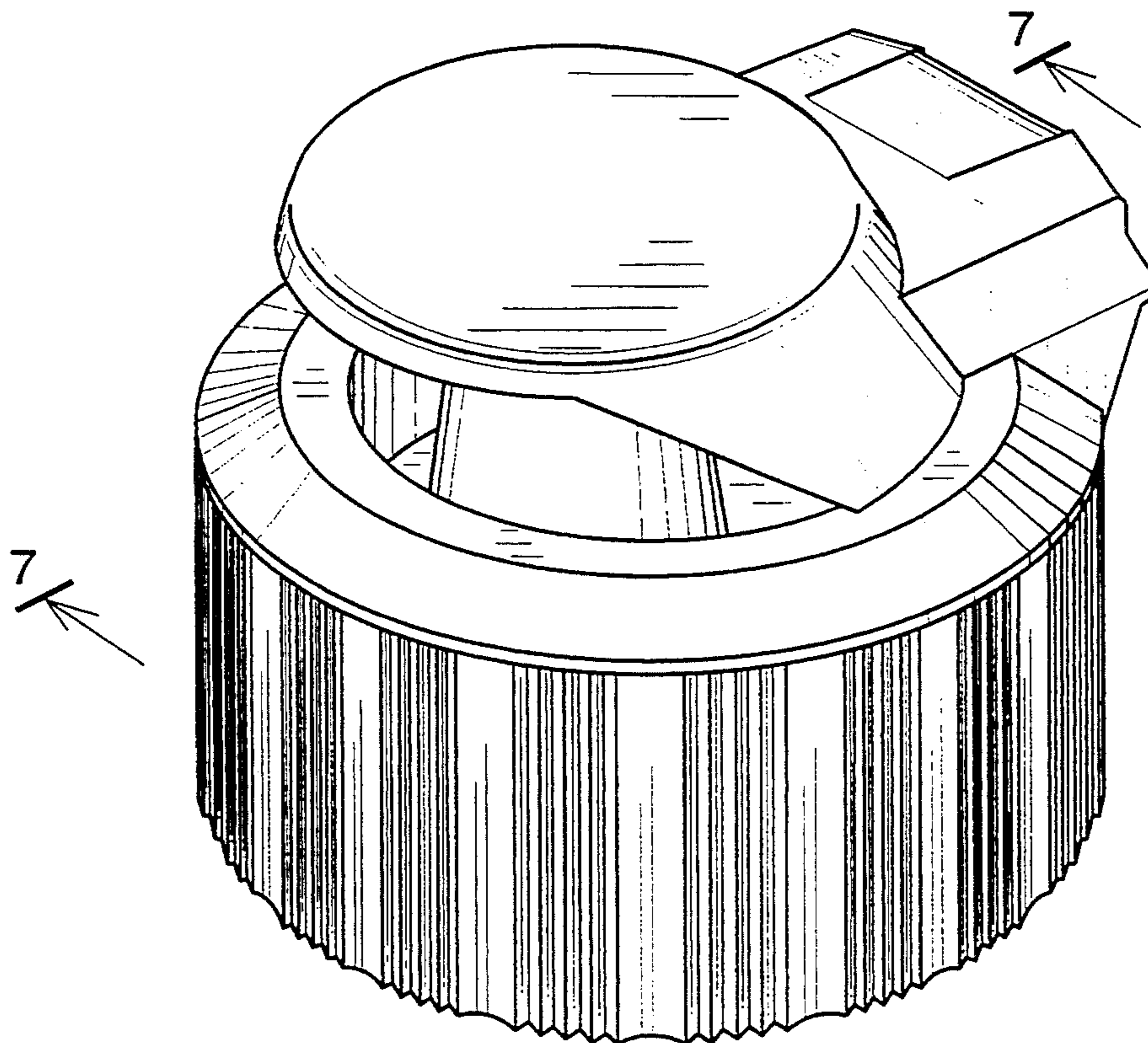
**DESCRIPTION**

FIG. 1 is a perspective view of the snap-in closure showing my design;  
FIG. 2 is a side elevational view thereof, the opposite side view being a mirror image thereof;  
FIG. 3 is a front elevational view thereof;  
FIG. 4 is a rear elevational view thereof;  
FIG. 5 is a top plan view thereof;  
FIG. 6 is a bottom plan view thereof; and,  
FIG. 7 is a cross-sectional view thereof taken along lines 7-7 in FIG. 1.

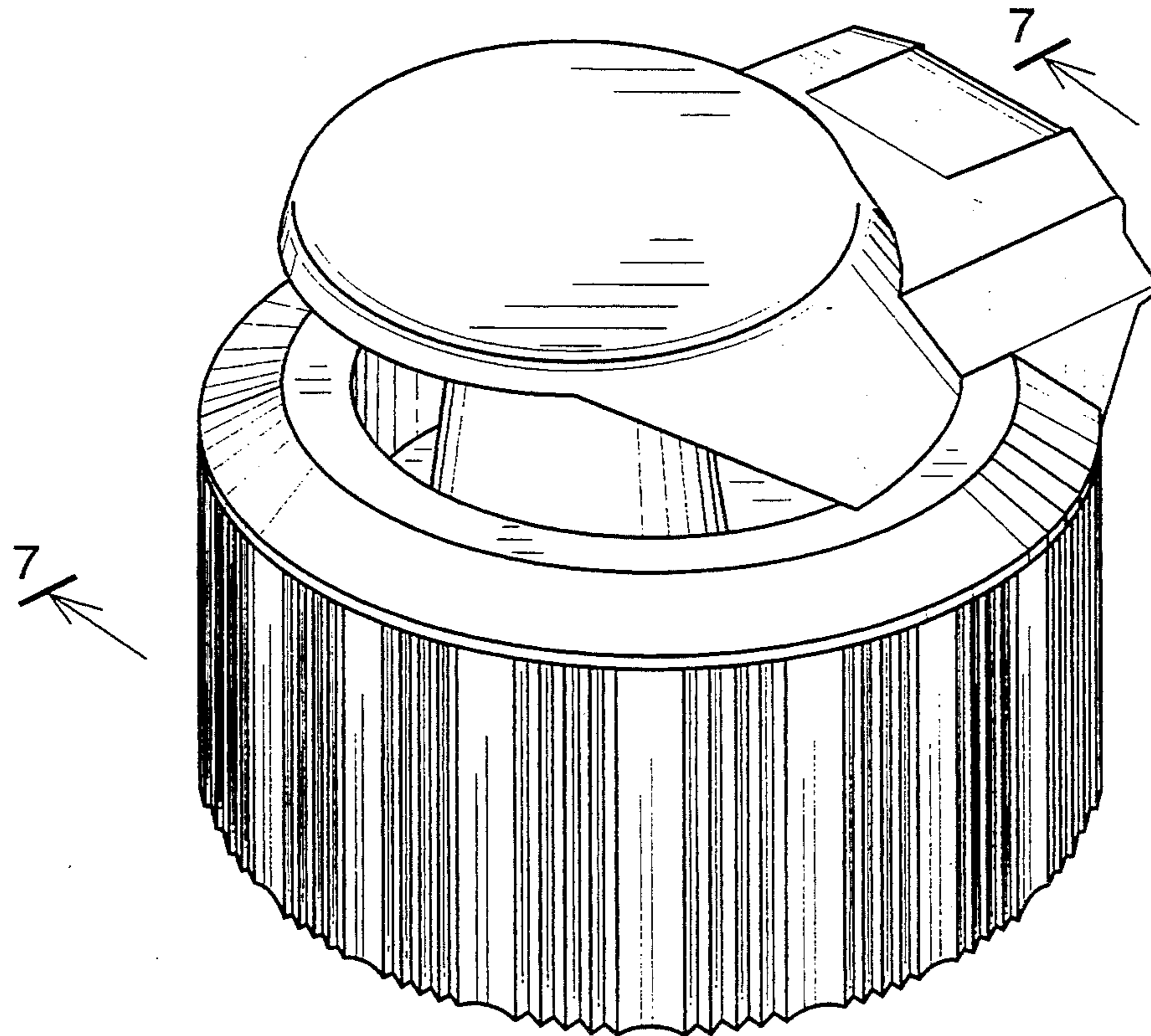
[56] **References Cited**

**U.S. PATENT DOCUMENTS**

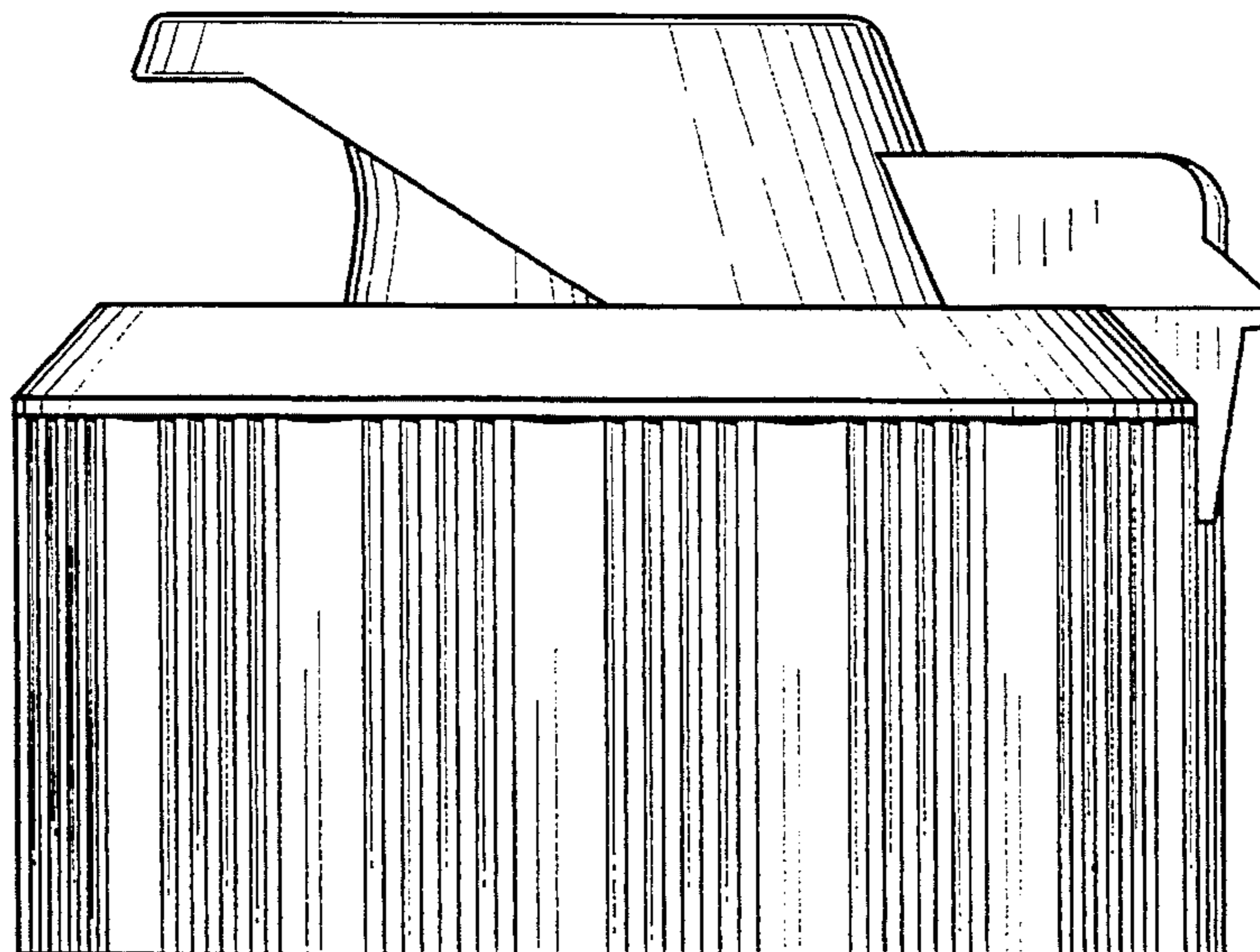
D. 51,618	12/1917	Thompson	.....	D9/451
D. 207,749	5/1967	Evans	.....	D9/446
D. 212,463	10/1968	Vanderhyde	.....	D9/452
D. 264,309	5/1982	Weckman et al.	.....	D9/446



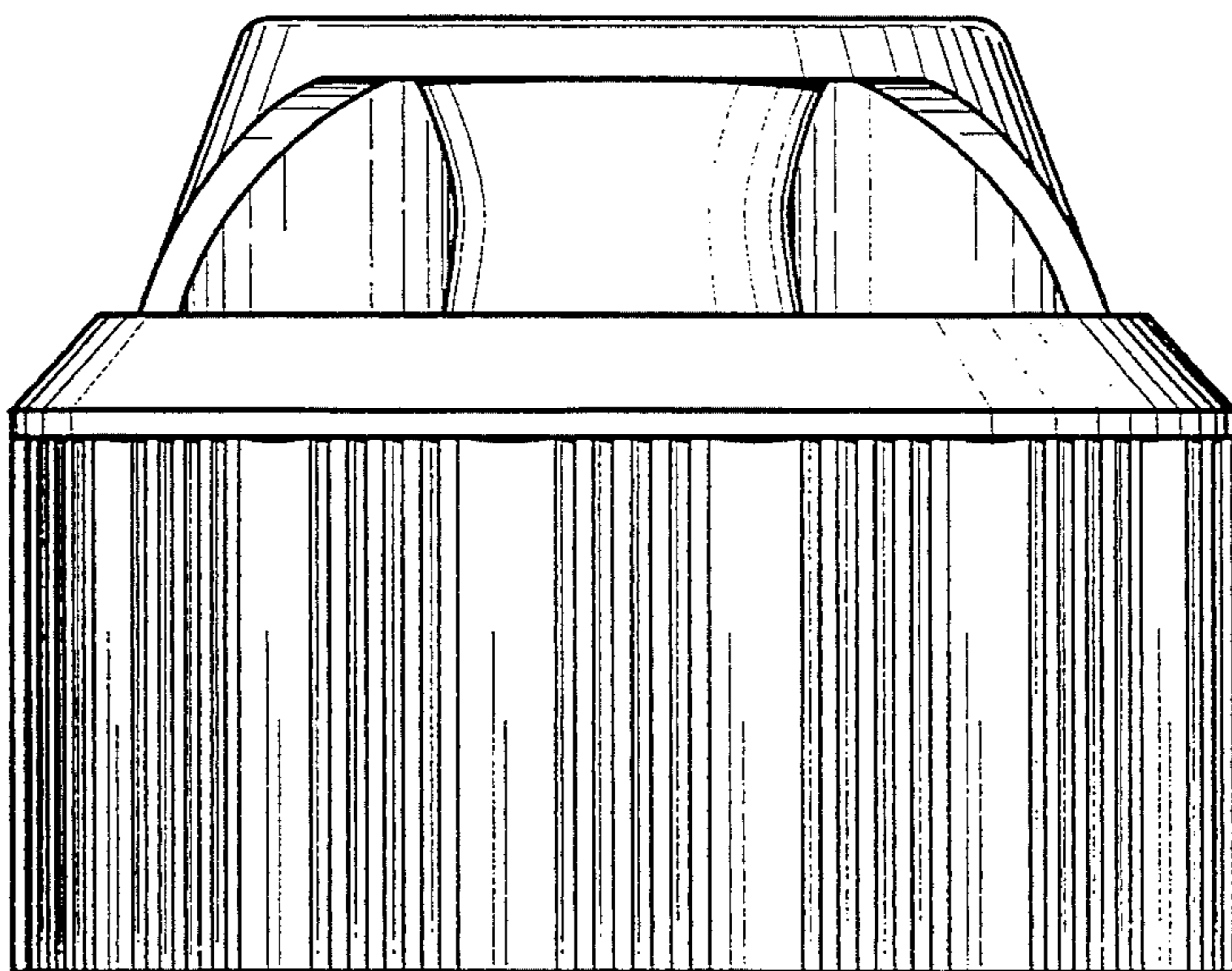
**FIG. 1**



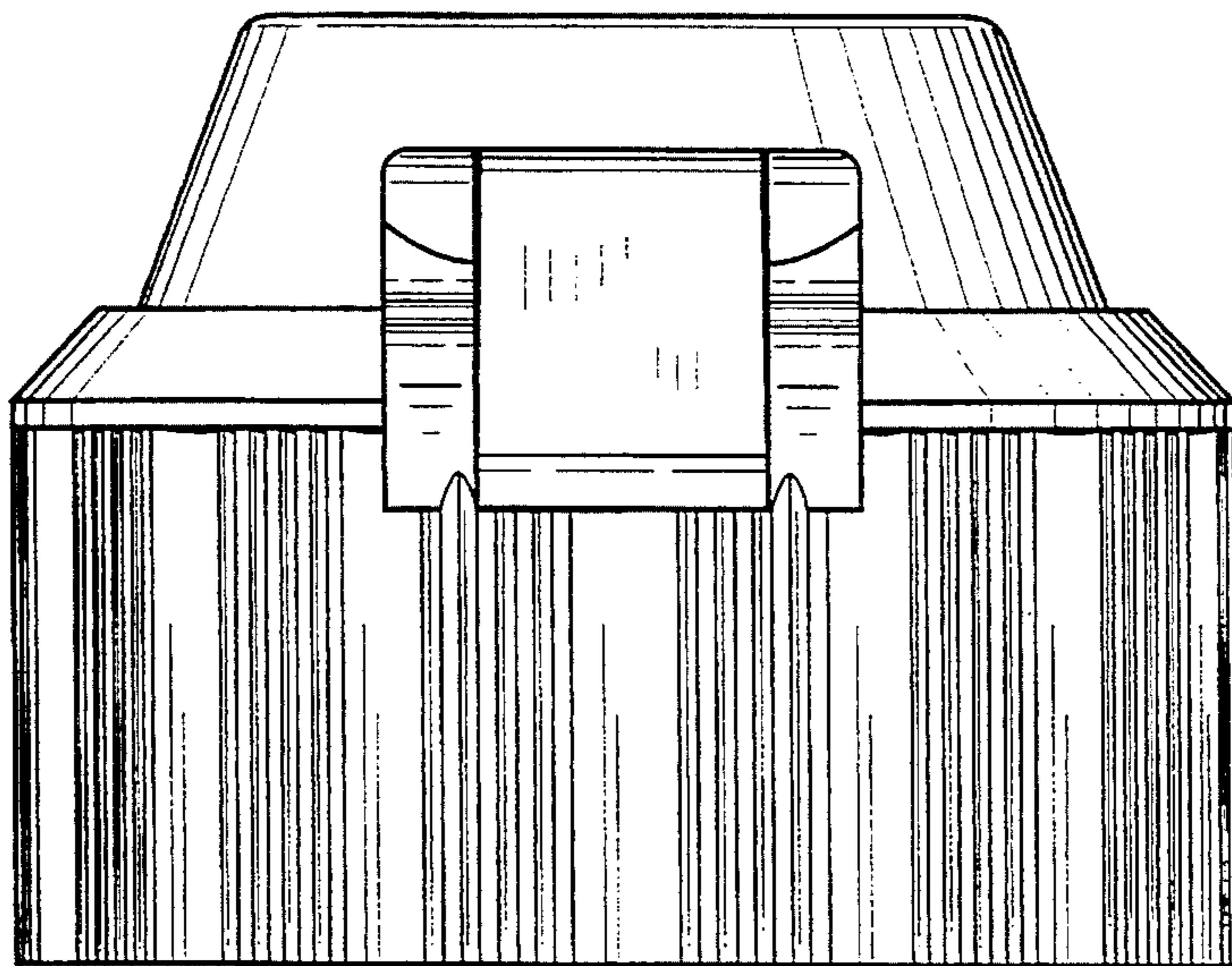
**FIG. 2**



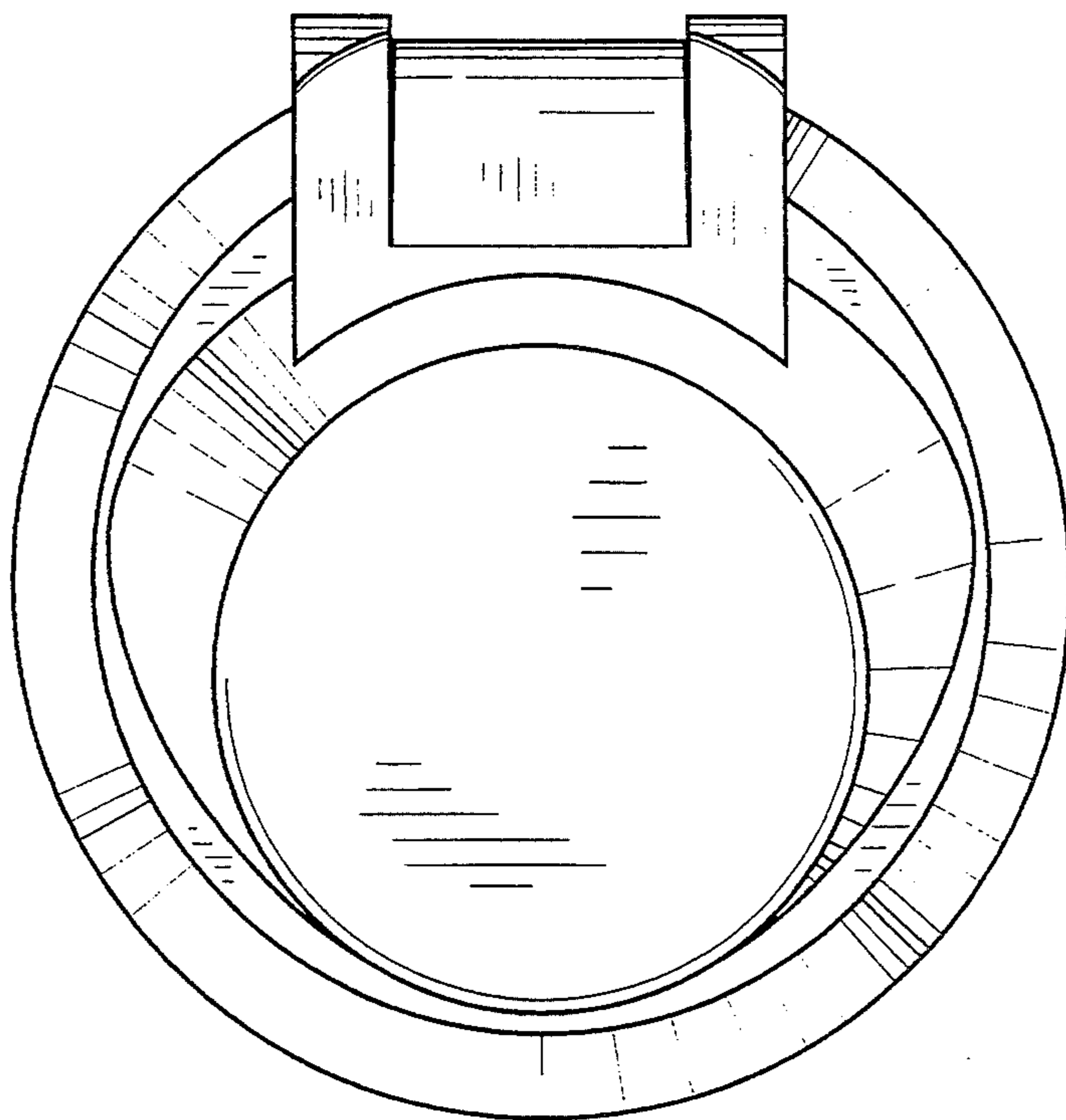
**FIG. 3**



**FIG. 4**



**FIG. 5**



**FIG. 6**

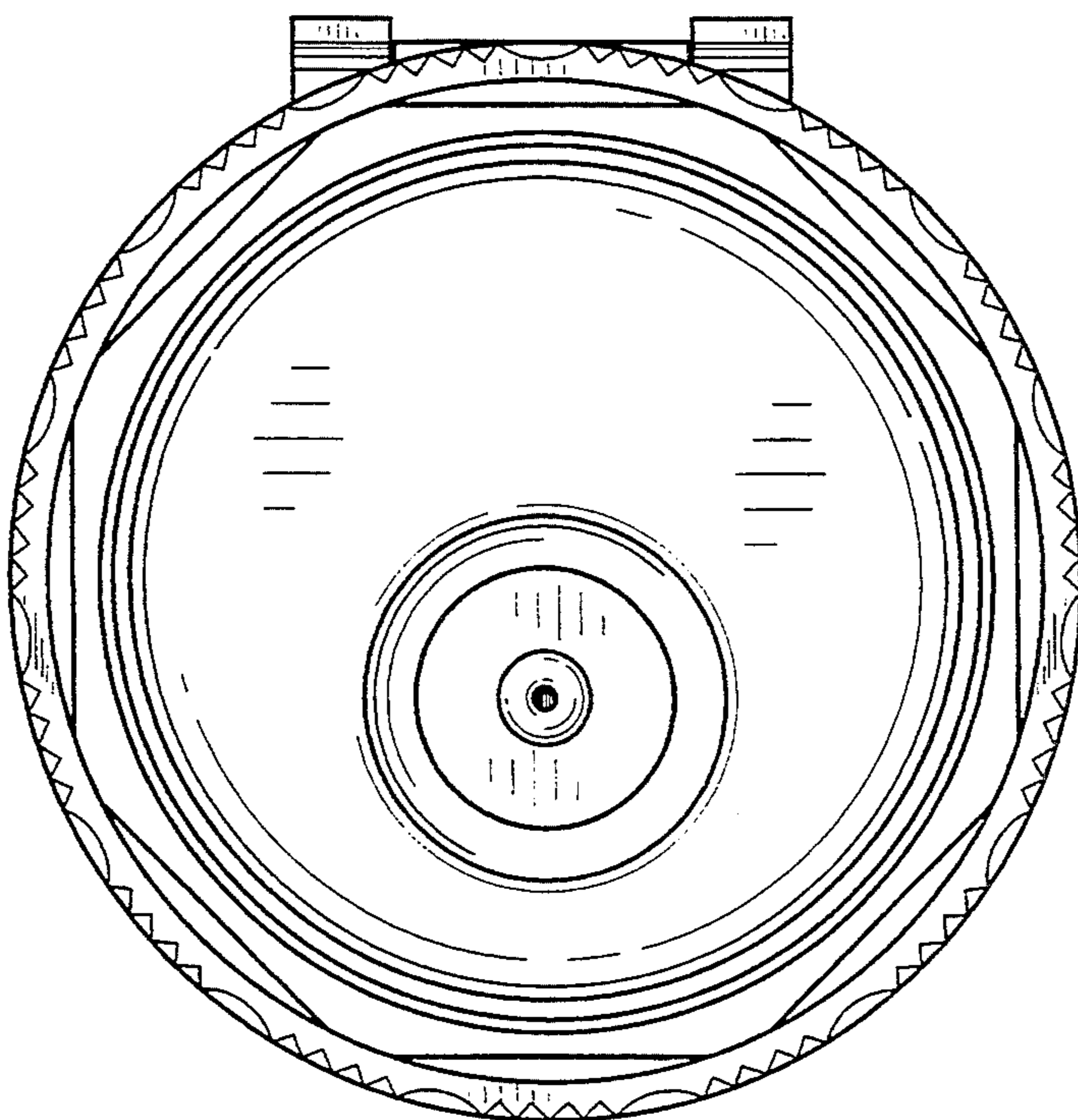


FIG. 7

