



US00D362184S

# United States Patent [19]

[11] Patent Number: **Des. 362,184**

**Carr**

[45] Date of Patent: **\*\* Sep. 12, 1995**

[54] **OVERCAP FOR A MICROBIOLOGICAL CULTURE BOTTLE**

4,522,308	6/1985	Sullivan .....	215/254 X
4,784,279	11/1988	Osting et al. ....	215/254 X
5,303,837	4/1994	Adams et al. ....	215/253 X

[75] Inventor: **Anthony H. Carr**, Bedford, England

### FOREIGN PATENT DOCUMENTS

[73] Assignee: **Unilever Patent Holdings B.V.**, Vlaardingen, Netherlands

0126390	11/1984	European Pat. Off. .
0391461	10/1990	European Pat. Off. .
0414179	2/1991	European Pat. Off. .

[\*\*] Term: **14 Years**

*Primary Examiner*—Louis S. Zarfes

[21] Appl. No.: **11,516**

*Assistant Examiner*—I. Simmons

[22] Filed: **Aug. 9, 1993**

*Attorney, Agent, or Firm*—Cushman Darby & Cushman

### [30] Foreign Application Priority Data

### [57] CLAIM

Feb. 17, 1993 [GB] United Kingdom ..... 2029191

The ornamental design for overcap for a microbiological culture bottle, as shown and described.

[52] U.S. Cl. .... **D9/438; D24/224**

[58] Field of Search ..... D24/224, 227, 226, 121; D9/435, 438, 447, 454; 215/201, 218, 254, 253

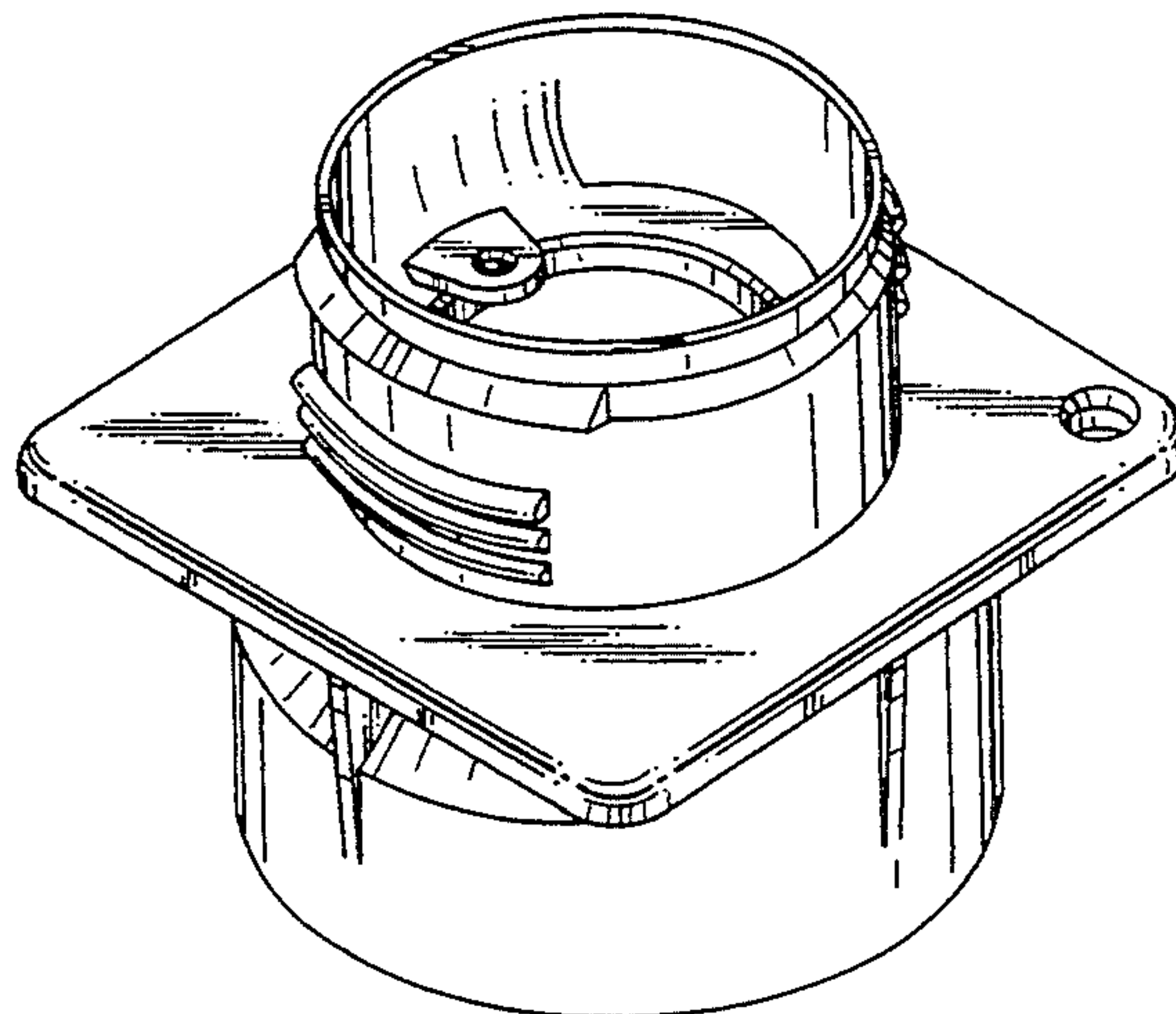
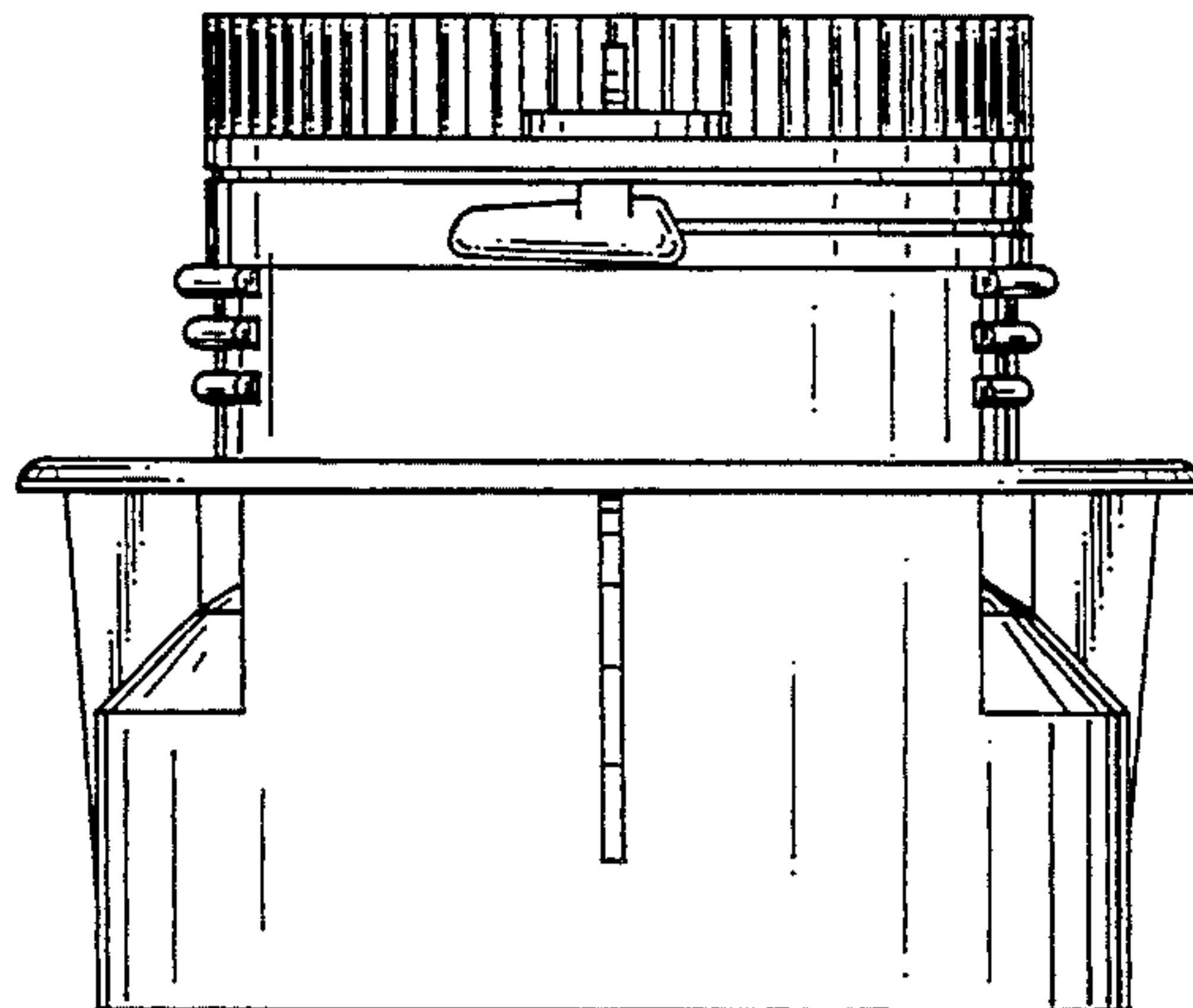
### DESCRIPTION

### [56] References Cited

#### U.S. PATENT DOCUMENTS

D. 228,888	10/1973	Feldman .....	D9/454 X
D. 288,964	3/1987	Larkin et al. ....	D24/224
D. 291,828	9/1987	Larkin et al. ....	D24/224
D. 298,012	10/1988	Larkin et al. ....	D24/224
3,850,329	11/1974	Robinson .....	215/254
4,066,067	1/1978	Micheli .....	128/2

FIG. 1 is a front elevational view of overcap for a microbiological culture bottle showing my new design; FIG. 2 is a rear elevational view thereof; FIG. 3 is a top plan view thereof; FIG. 4 is a bottom plan view thereof; FIG. 5 is a left side elevational view thereof; FIG. 6 is a right side elevational view thereof; and, FIG. 7 is a perspective view thereof from the top, front and left side, with the closure thereof removed.



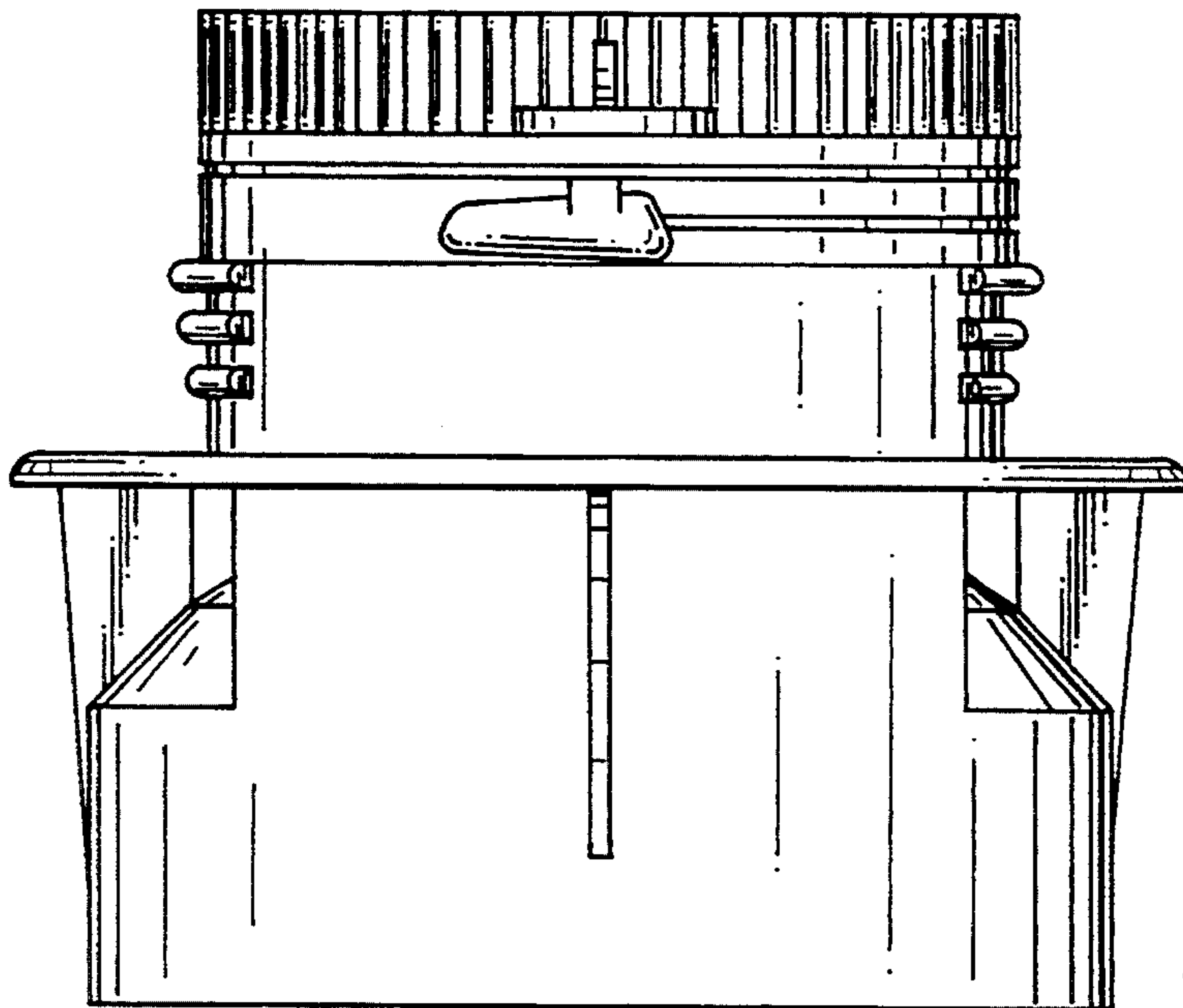


FIG. 1

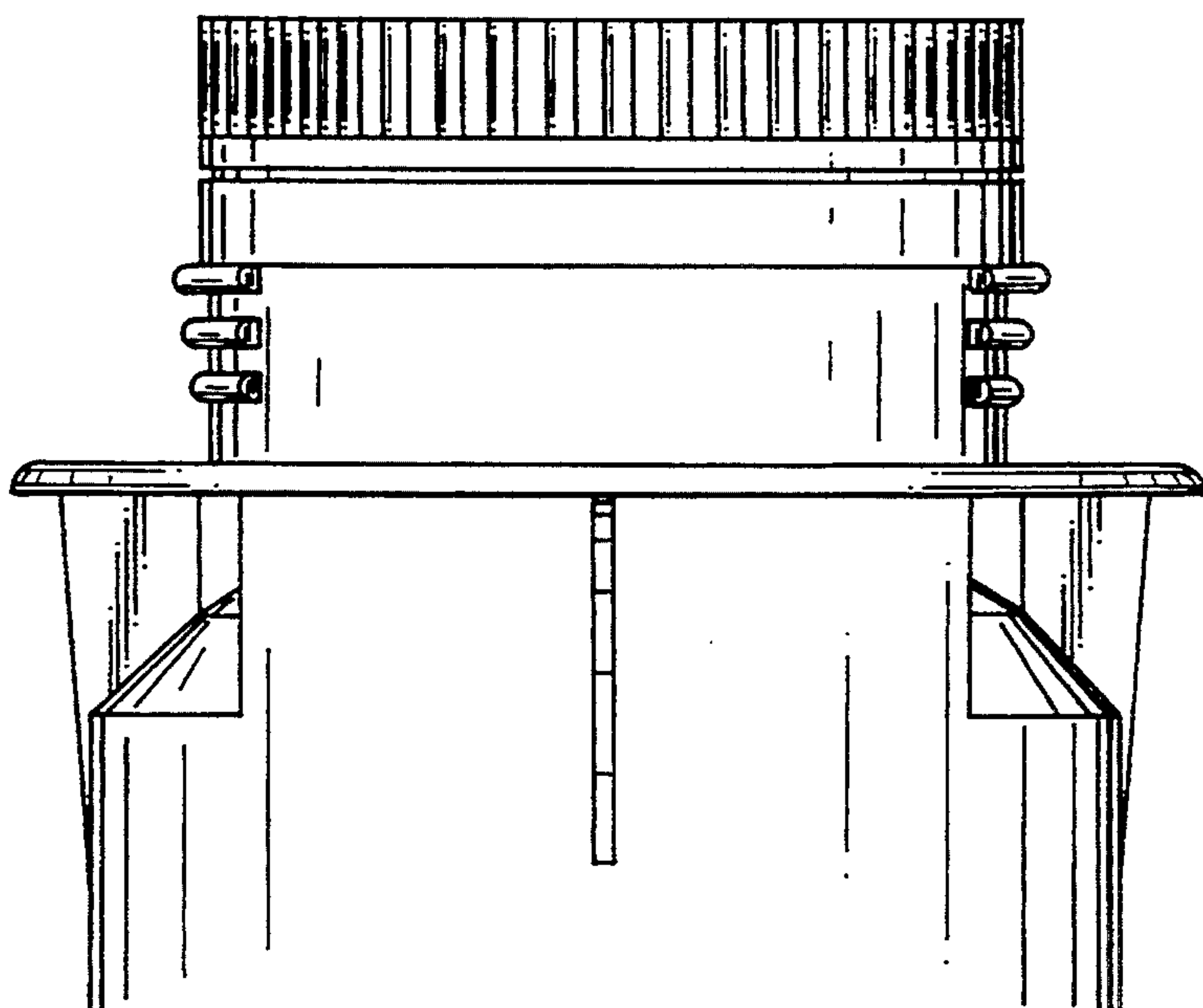


FIG. 2

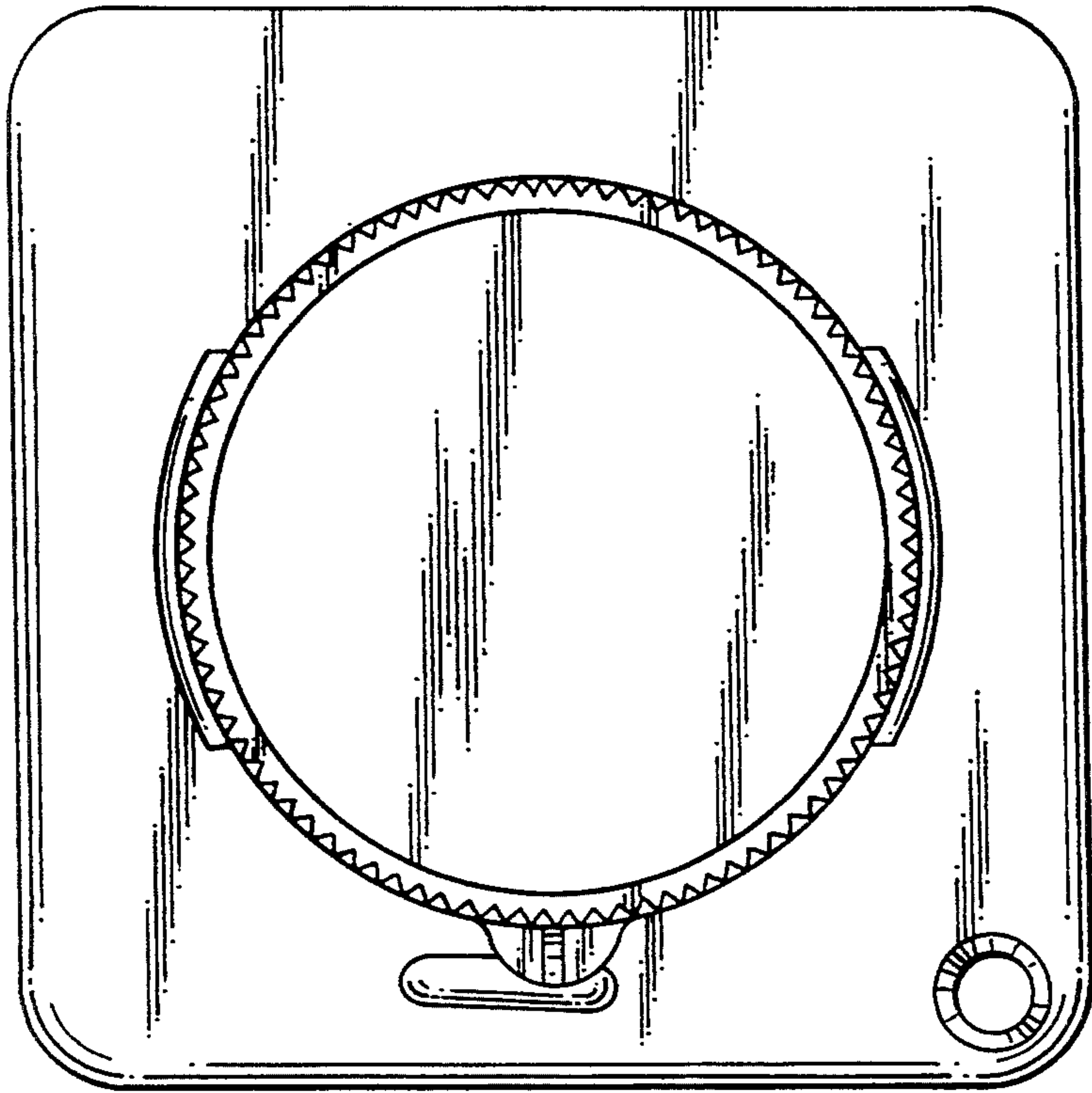


FIG. 3

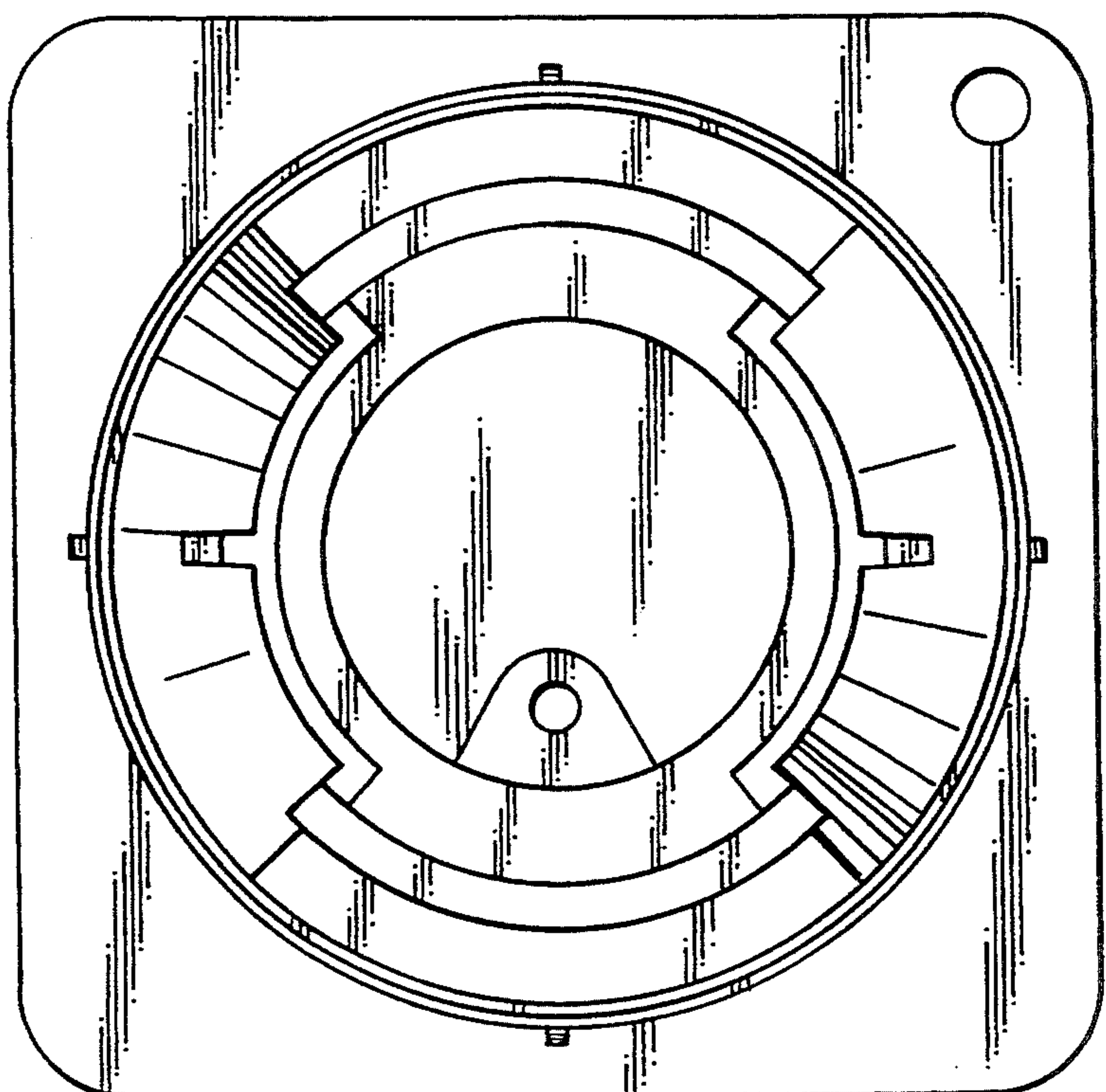


FIG. 4



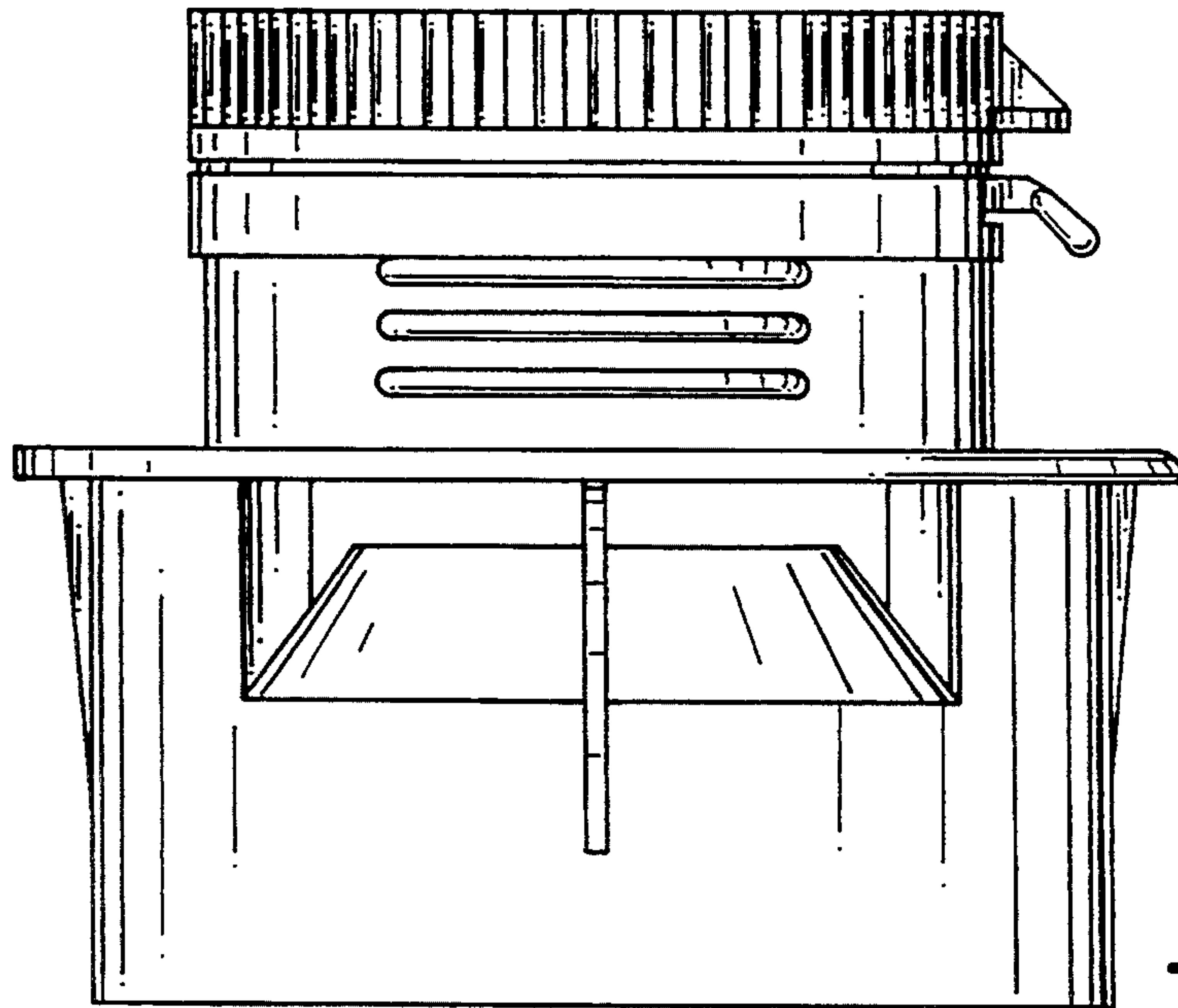


FIG. 5

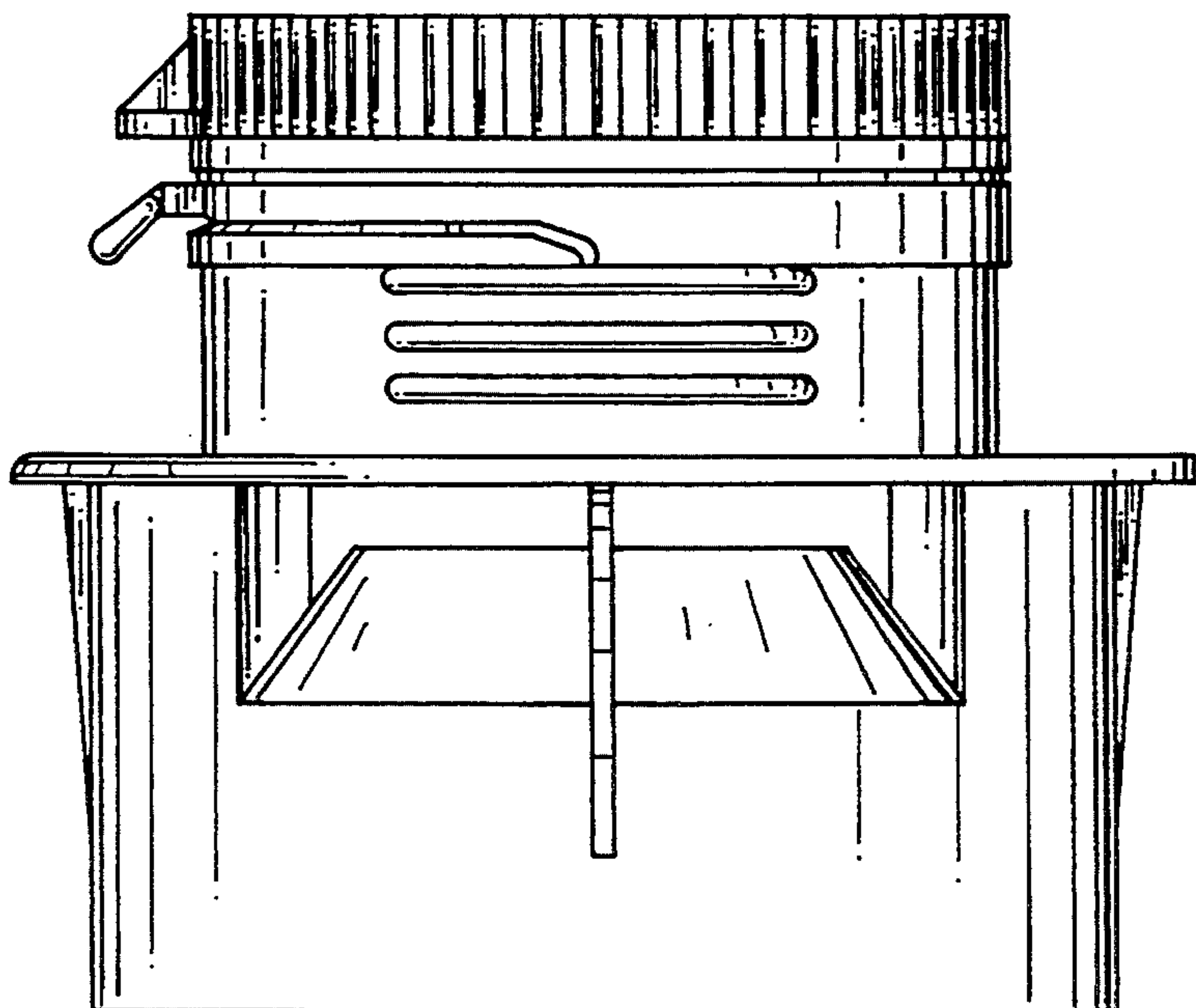


FIG. 6

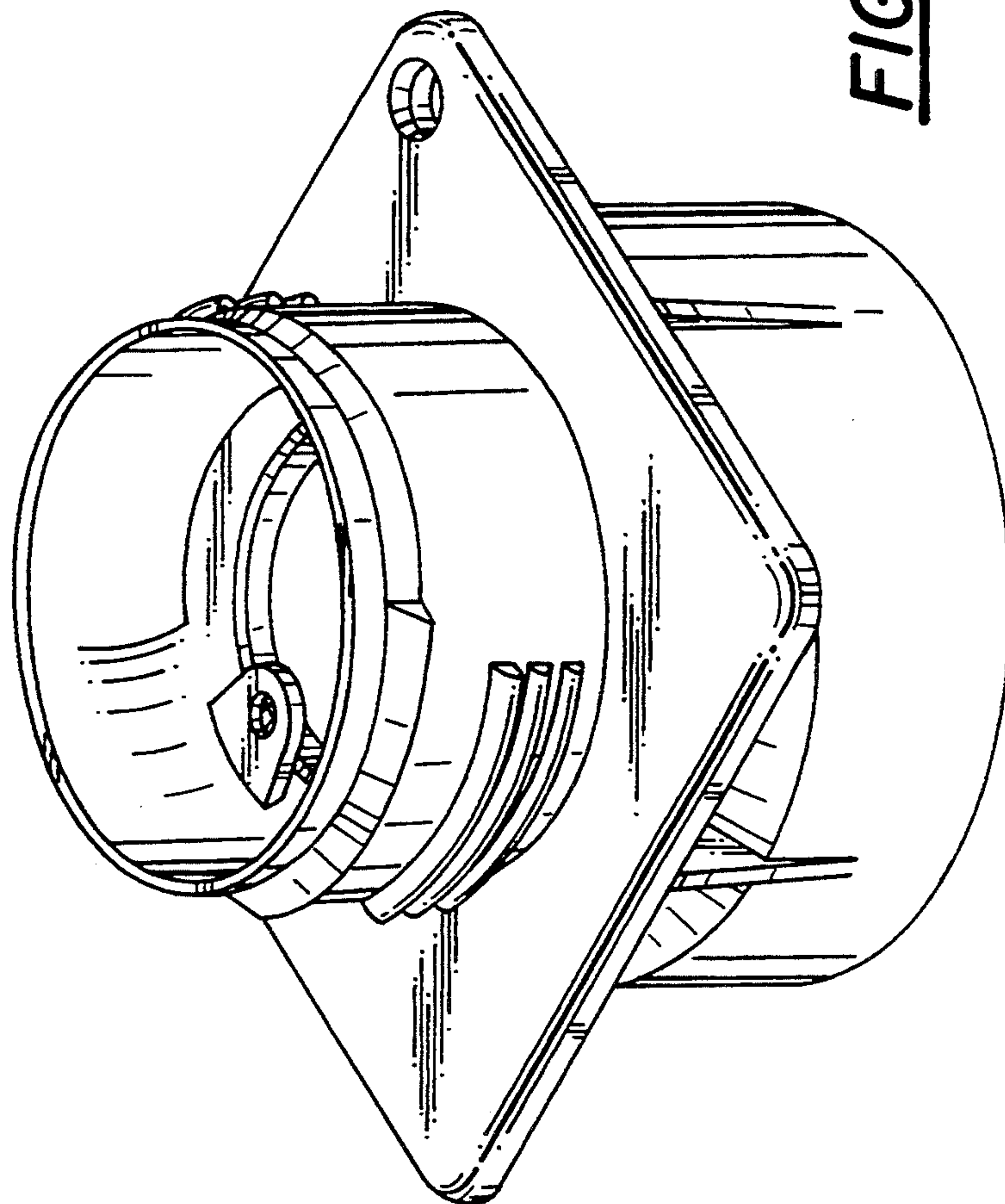


FIG. 7