



US00D362183S

United States Patent [19]

[11] Patent Number: **Des. 362,183**

Villing

[45] Date of Patent: **** Sep. 12, 1995**

[54] **POURING SPOUT**

[56] **References Cited**

[76] Inventor: **Manfred Villing**, 23 Stacey Bay,
Winnipeg, Manitoba, Canada, R2K
3V4

U.S. PATENT DOCUMENTS

D. 142,197	8/1945	Swanson et al.	D9/437
D. 229,826	1/1974	Raptis	D9/440
D. 285,055	8/1986	Heubel	D9/434

[**] Term: **14 Years**

Primary Examiner—Alan P. Douglas
Assistant Examiner—Robert M. Spear
Attorney, Agent, or Firm—Robert G. Hendry; Robert A. Wilkes

[21] Appl. No.: **17,794**

[57] **CLAIM**

The ornamental design for a pouring spout, as shown and described.

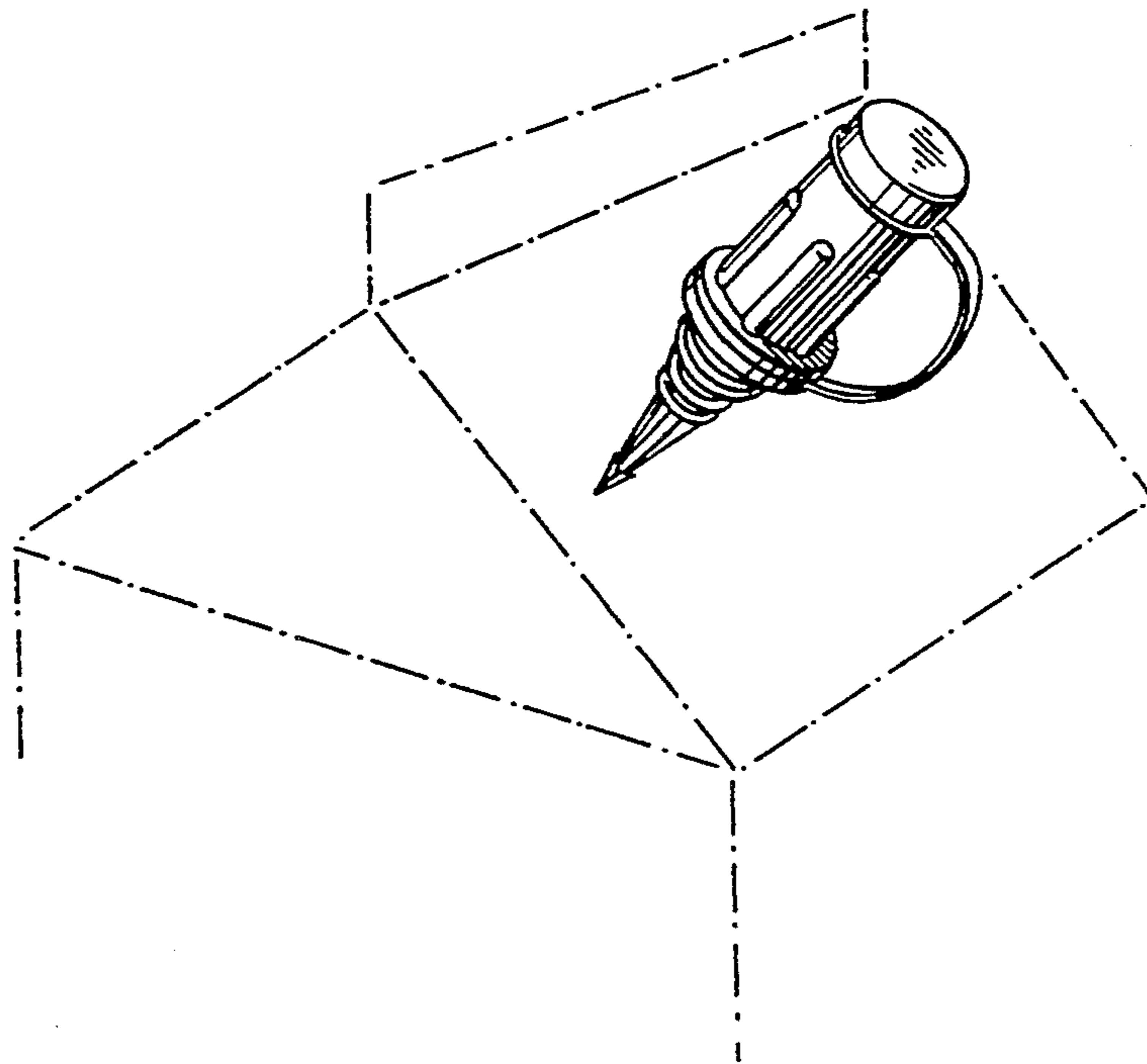
[22] Filed: **Jan. 24, 1994**

DESCRIPTION

[52] U.S. Cl. **D9/437; D9/440**

[58] Field of Search **D9/434-440,**
D9/444-450, 452-454, 504; 215/201, 224,
235-236; 220/306, 915; 222/182, 204, 209, 320,
335, 372, 382-383, 400.5, 405, 416, 460, 470,
478, 575

FIG. 1 is a side elevational view of the pouring spout;
FIG. 2 is a top plan view thereof;
FIG. 3 is a bottom plan view thereof; and,
FIG. 4 is a perspective view of the pouring spout.
The broken line showing of a carton is for illustrative
purposes only and forms no part of the claimed design.



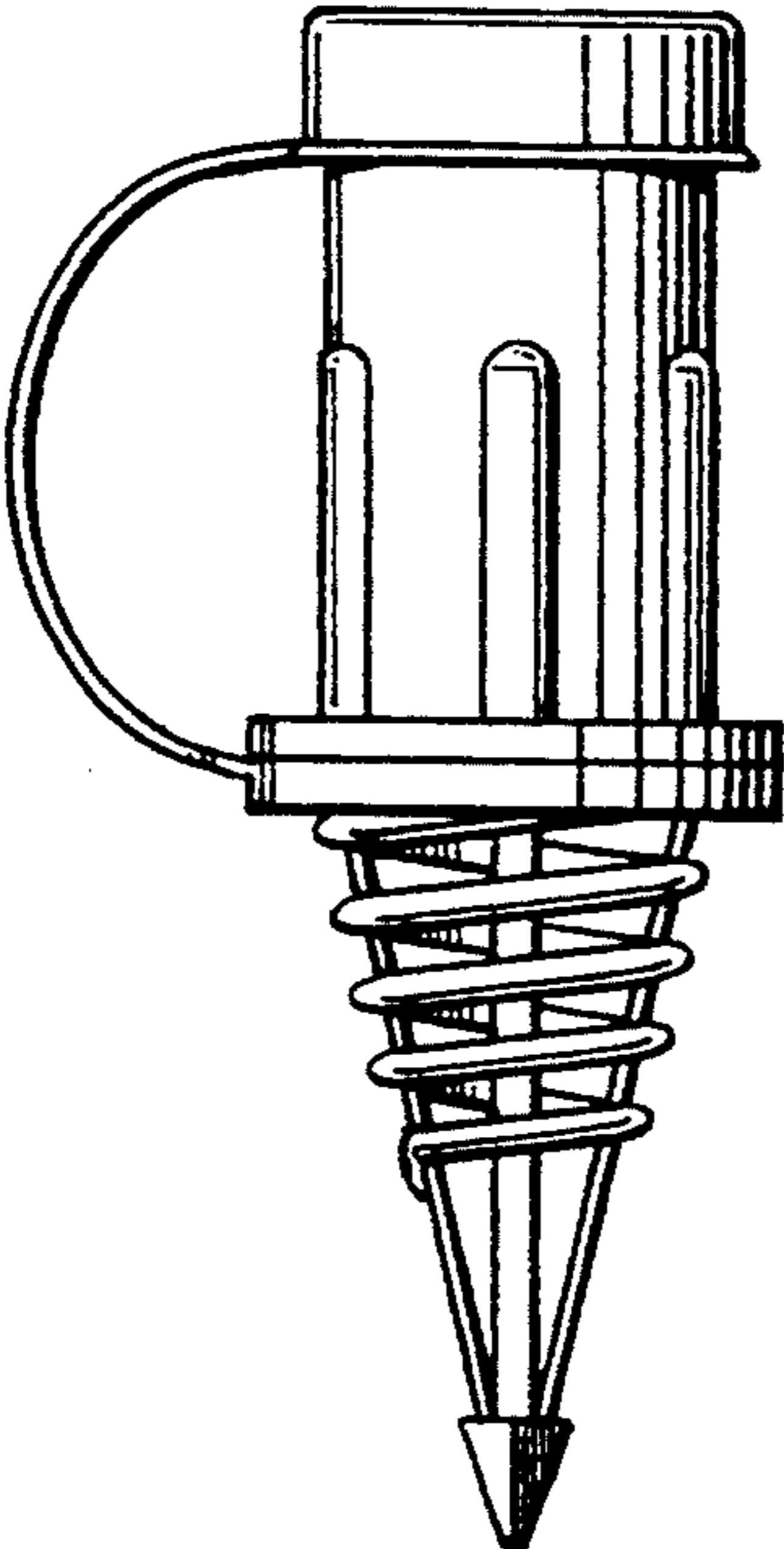


FIG. 1

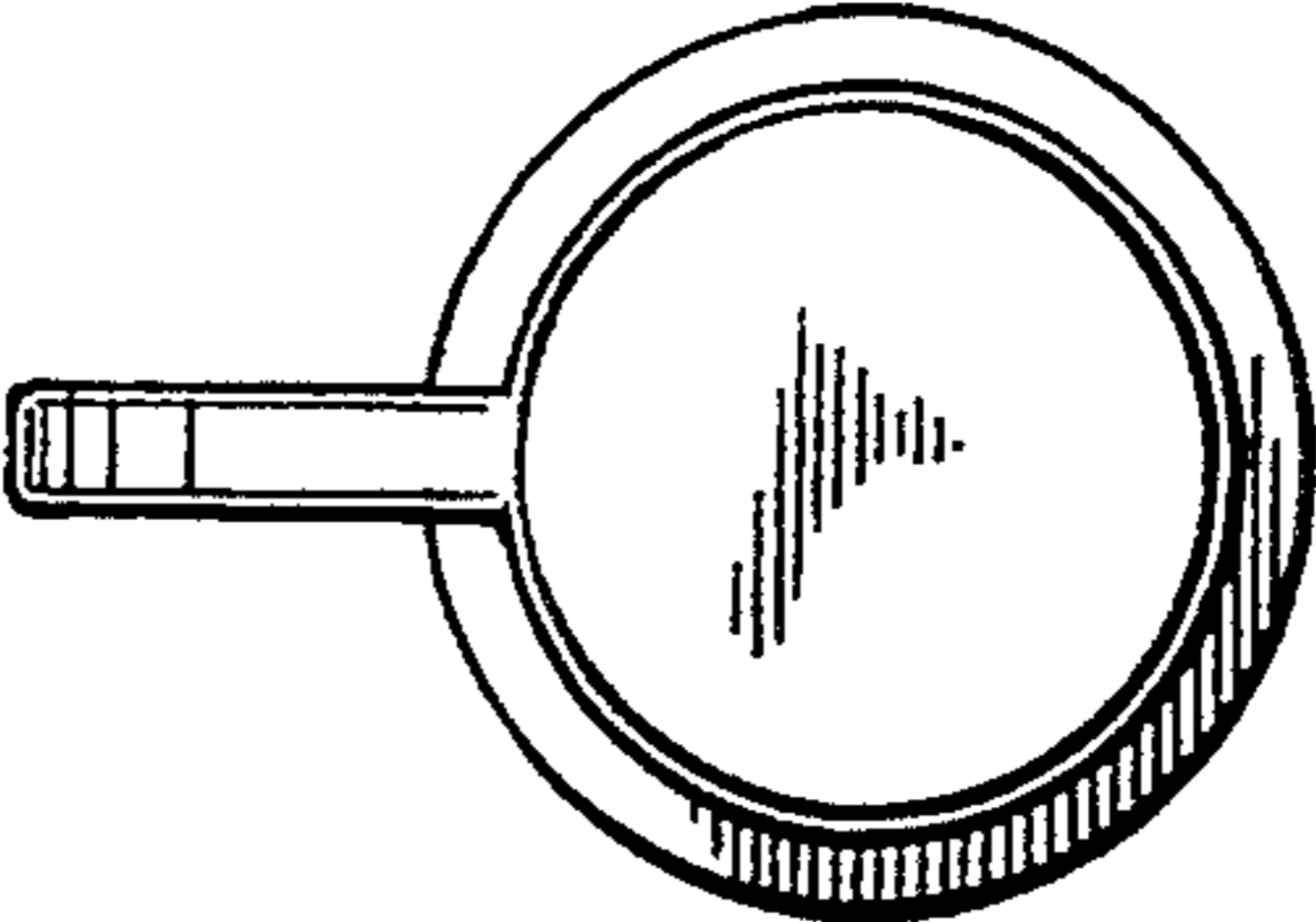


FIG. 2

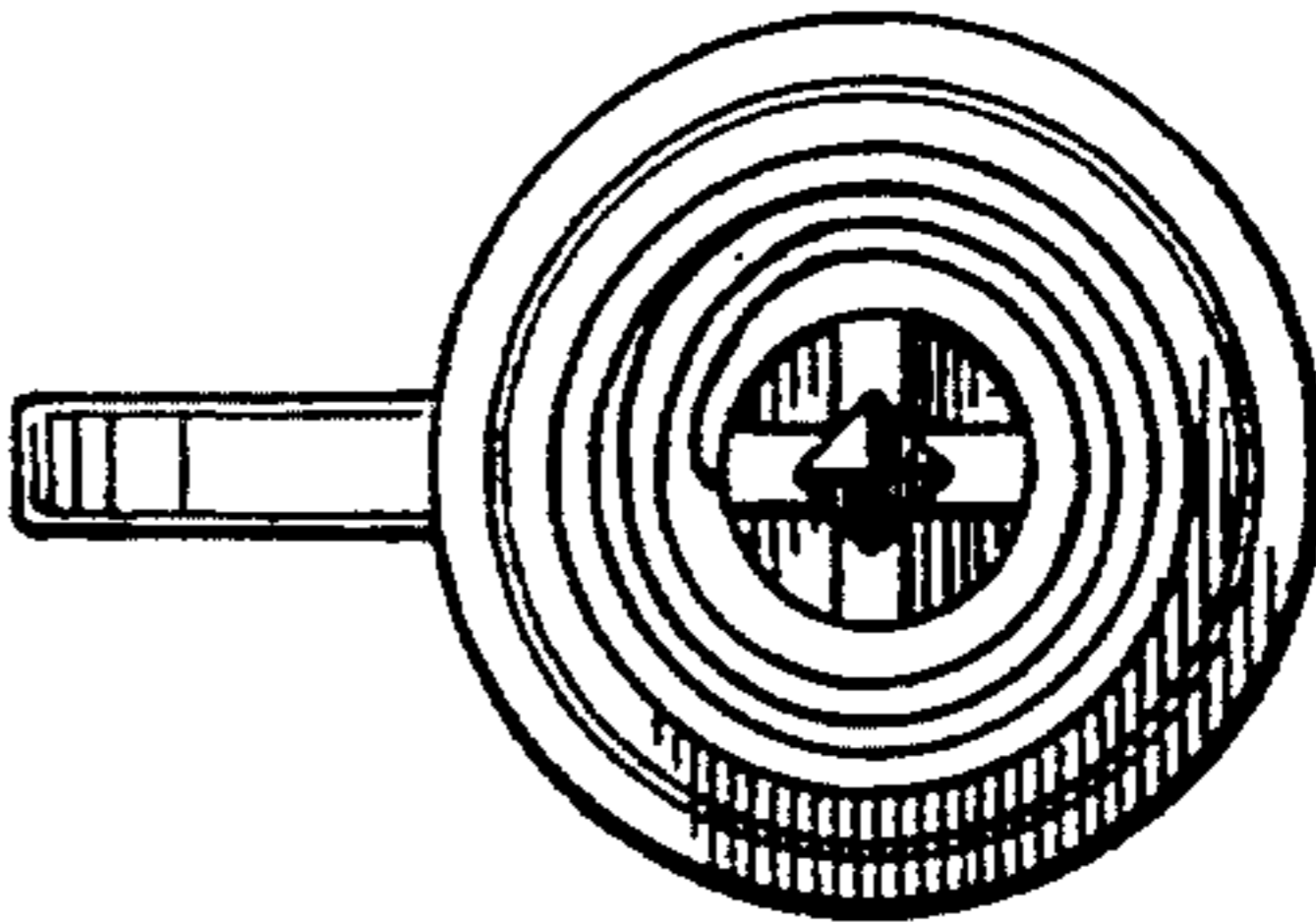


FIG. 3

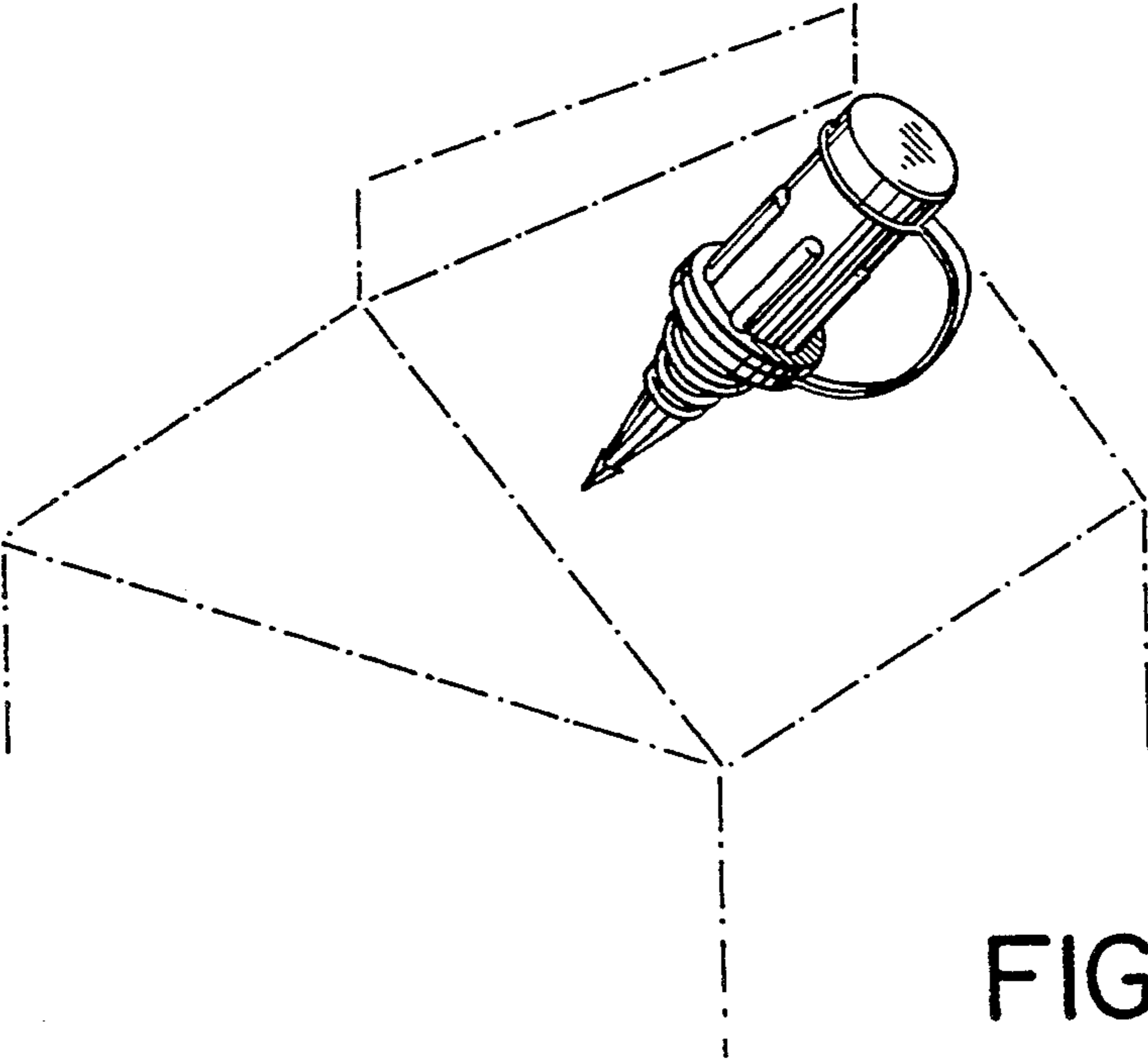


FIG. 4