



US00D362178S

United States Patent [19]

[11] Patent Number: **Des. 362,178**

Curtis

[45] Date of Patent: **** Sep. 12, 1995**

[54] **MINIATURIZED MAPLE SYRUP BUCKET**

[76] Inventor: **Hester Curtis, R.R. #1, Box 1235, Craftsbury, Vt. 05826**

[**] Term: **14 Years**

[21] Appl. No.: **24,661**

[22] Filed: **Jun. 20, 1994**

[52] U.S. Cl. **D9/307**

[58] Field of Search **D9/307, 325, 500; D30/110, 111, 112, 124, 125, 126; 220/904, 760; 47/11**

[56] **References Cited**

U.S. PATENT DOCUMENTS

D. 283,714	5/1986	Petroulias	D30/110 X
459,253	9/1891	Metz	220/760 X
812,652	2/1906	Hatfield	47/11
1,113,822	10/1914	Paxton	47/11 X

Primary Examiner—Terry A. Wallace

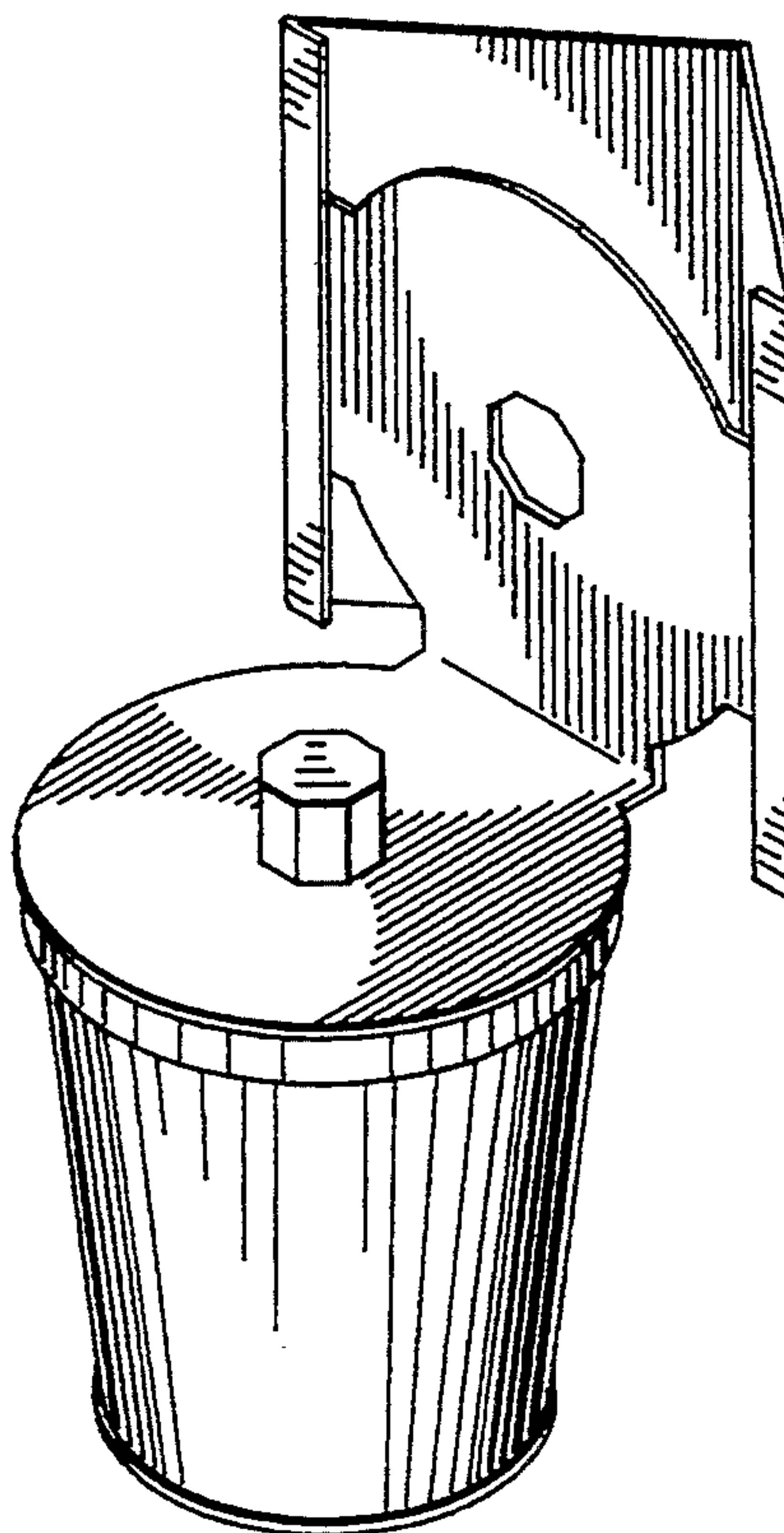
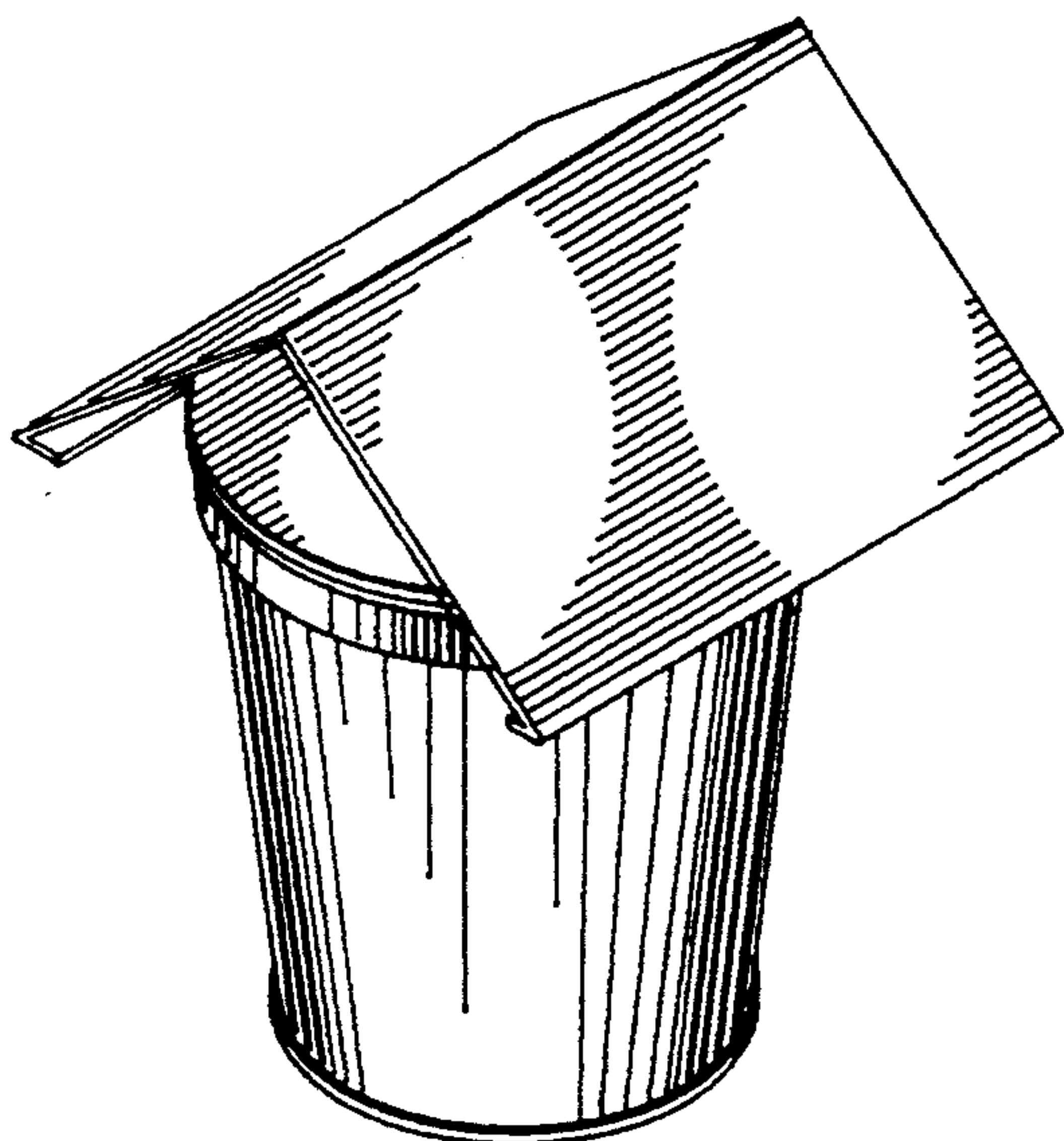
Assistant Examiner—Cheri Cohen
Attorney, Agent, or Firm—John J. Welch, Jr.

[57] **CLAIM**

The ornamental design for a miniaturized maple syrup bucket, as shown and described.

DESCRIPTION

FIG. 1 is a reduced perspective view of a miniaturized maple syrup bucket showing my new design;
 FIG. 2 is a reduced perspective view thereof, with the top portion in an open position;
 FIG. 3 is a front elevation view thereof, with the top portion in a closed position;
 FIG. 4 is a top plan view thereof;
 FIG. 5 is a right side elevation view thereof;
 FIG. 6 is a left side elevation view thereof;
 FIG. 7 is a bottom plan view thereof;
 FIG. 8 is a rear elevation view thereof;
 FIG. 9 is a front elevation view thereof, with the top portion in an open position; and,
 FIG. 10 is a top plan view thereof.



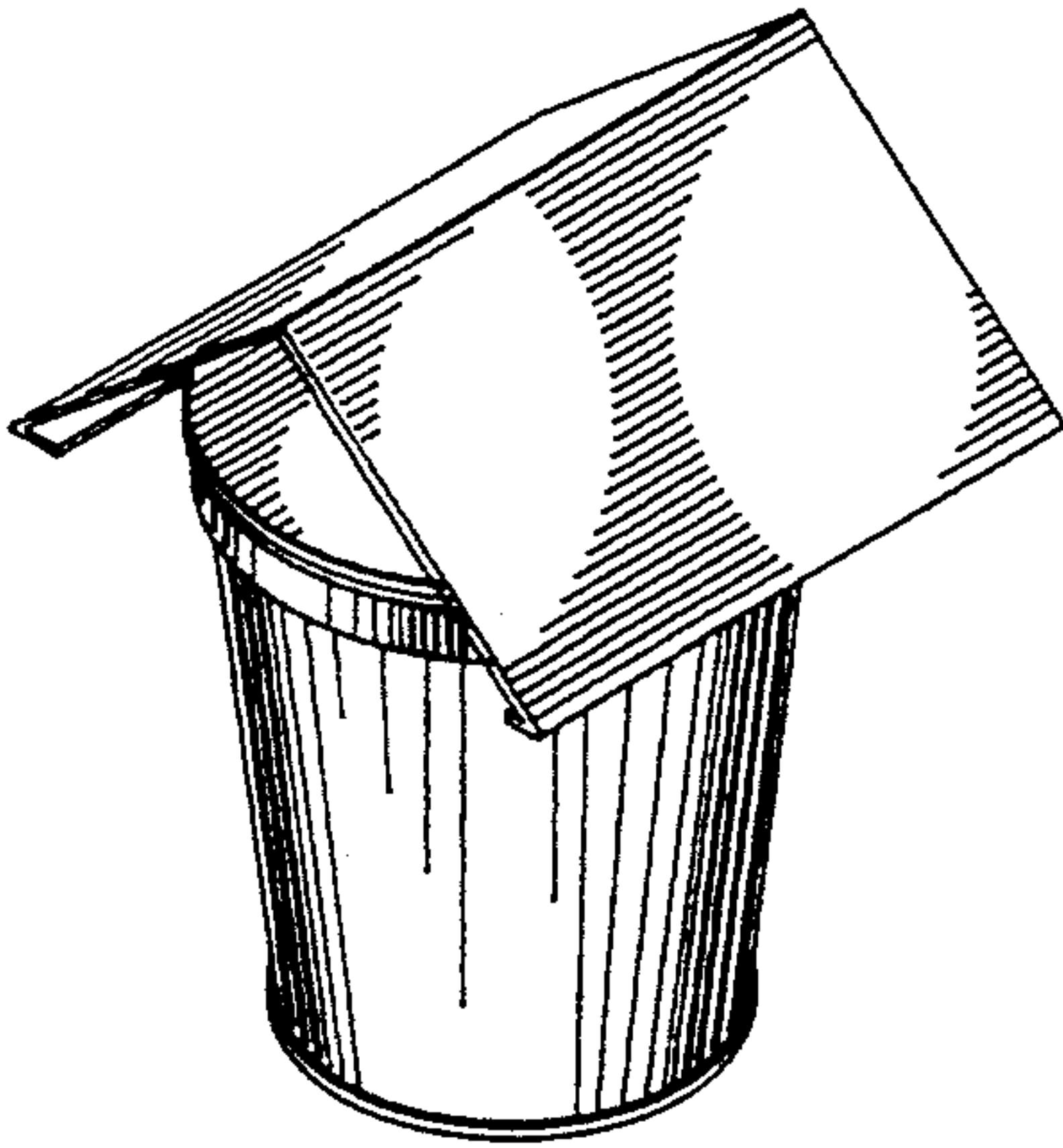


FIG. 1

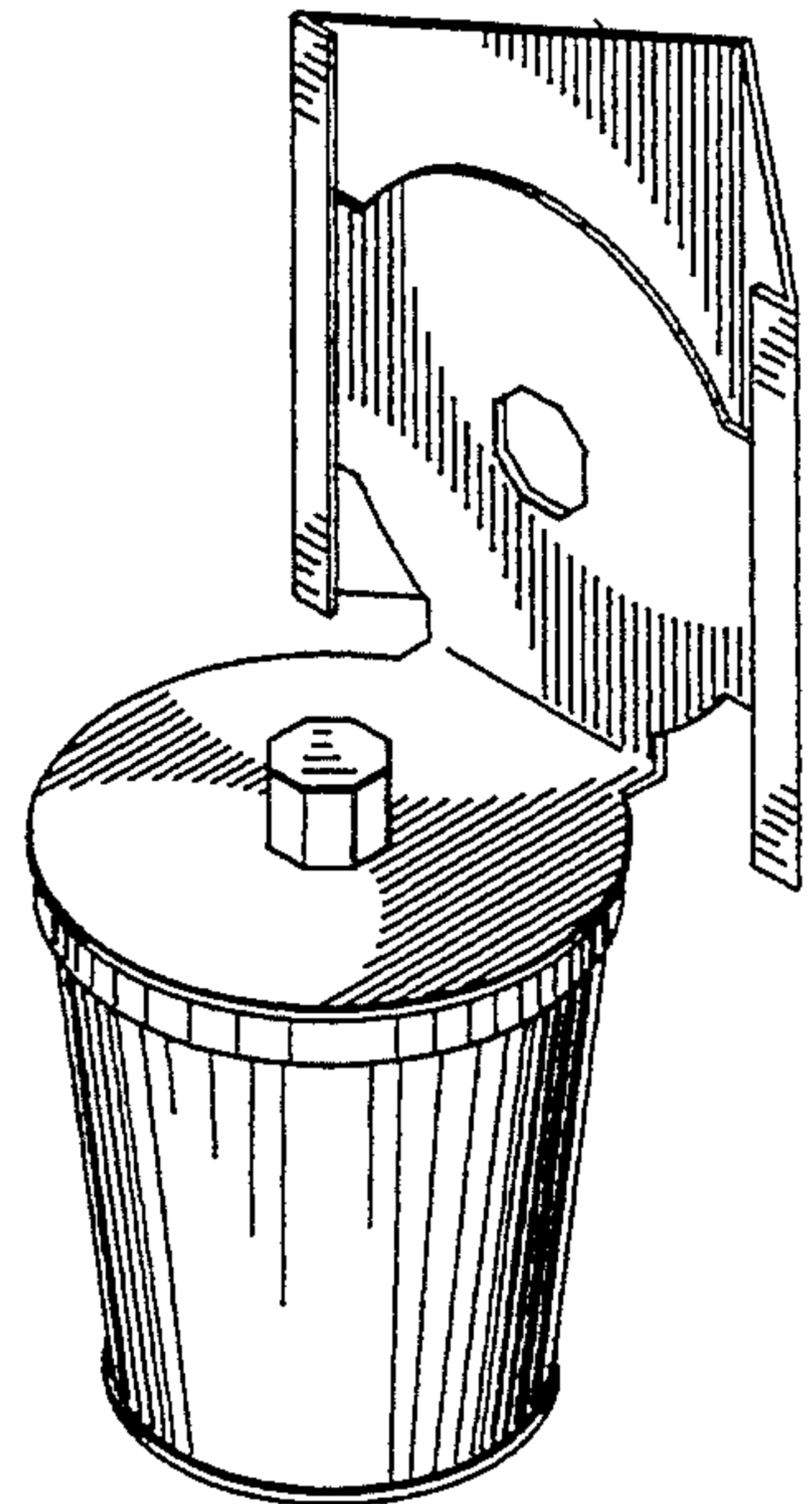


FIG. 2

FIG. 3

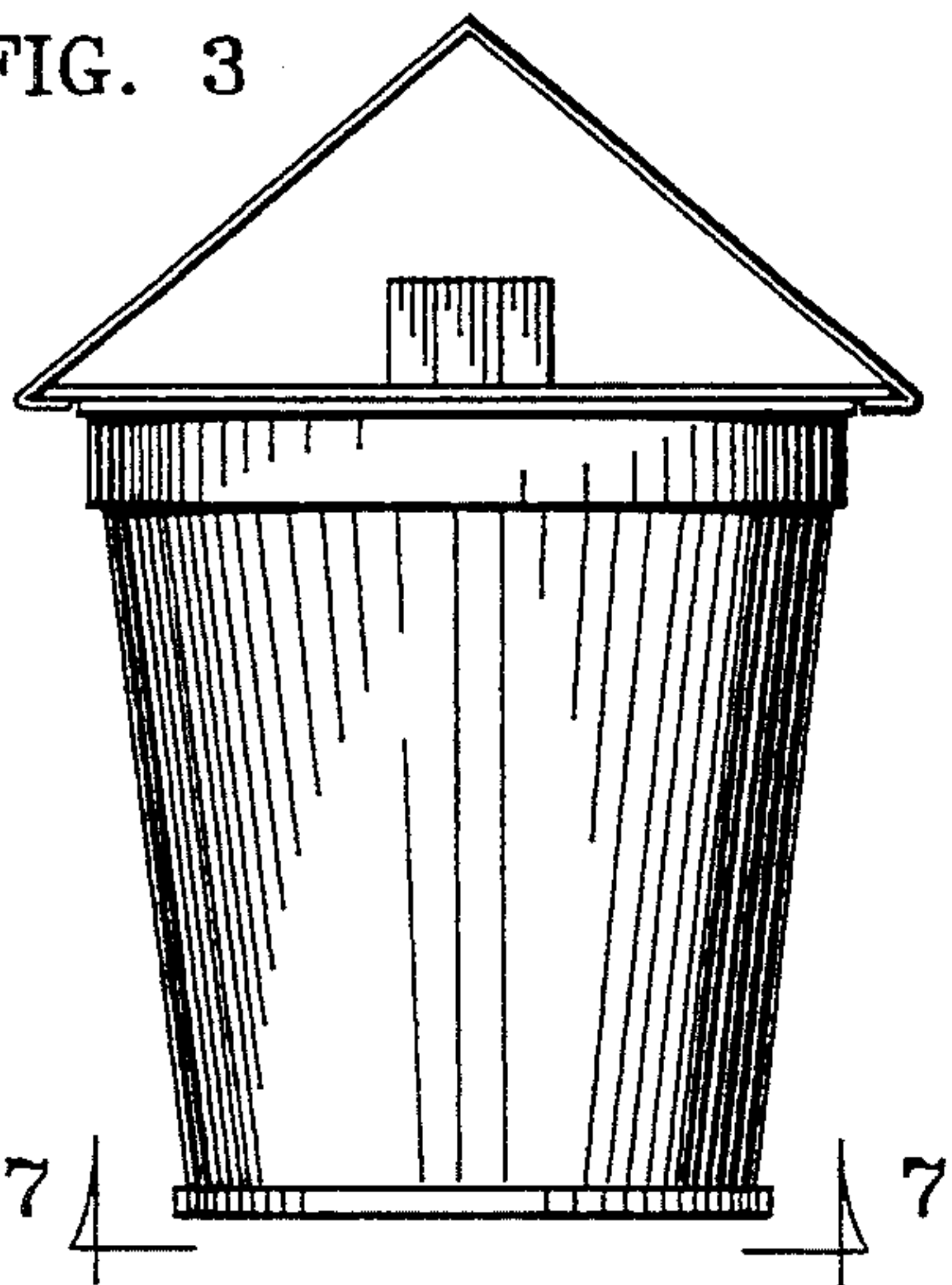


FIG. 5

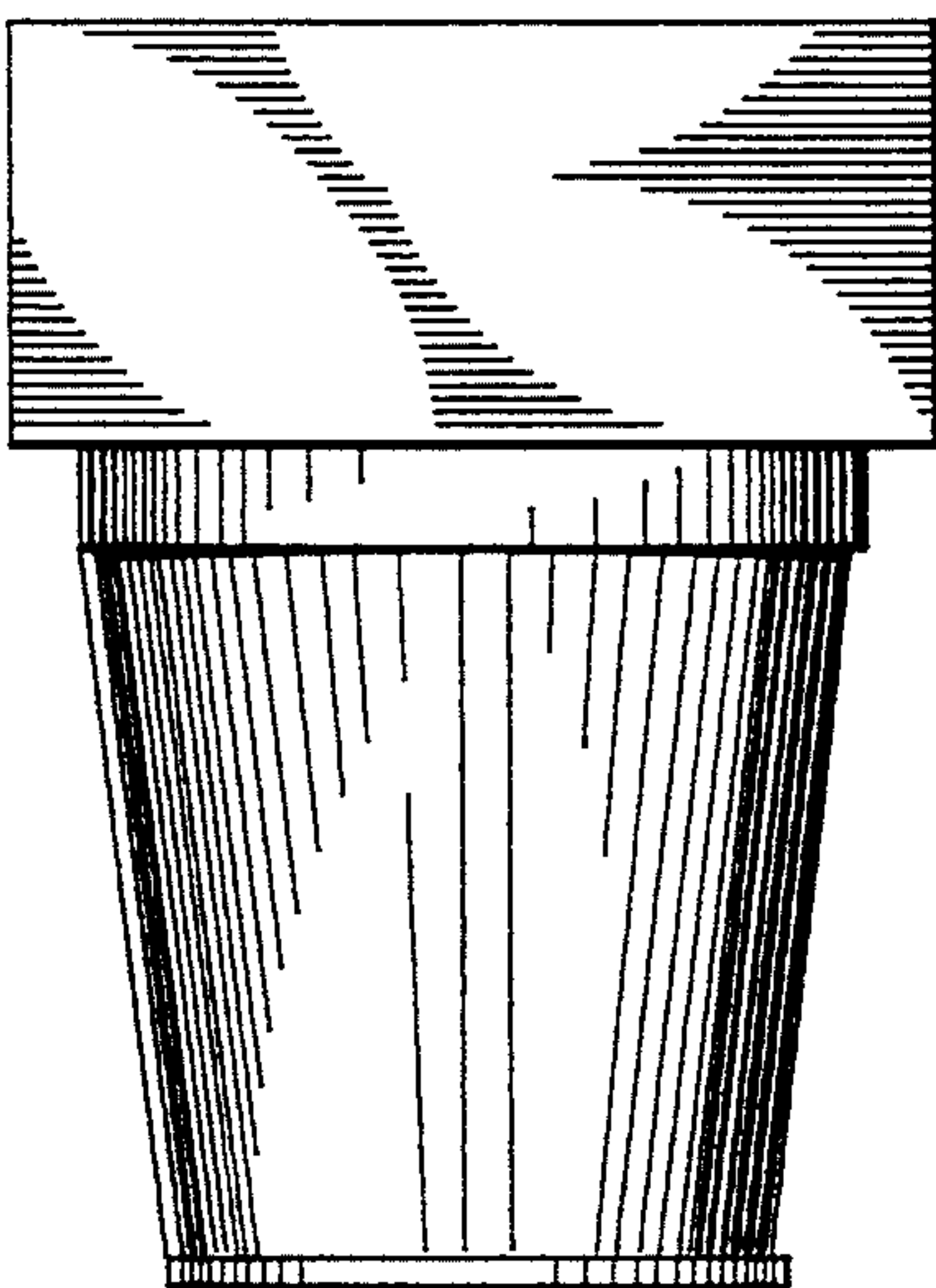


FIG. 6

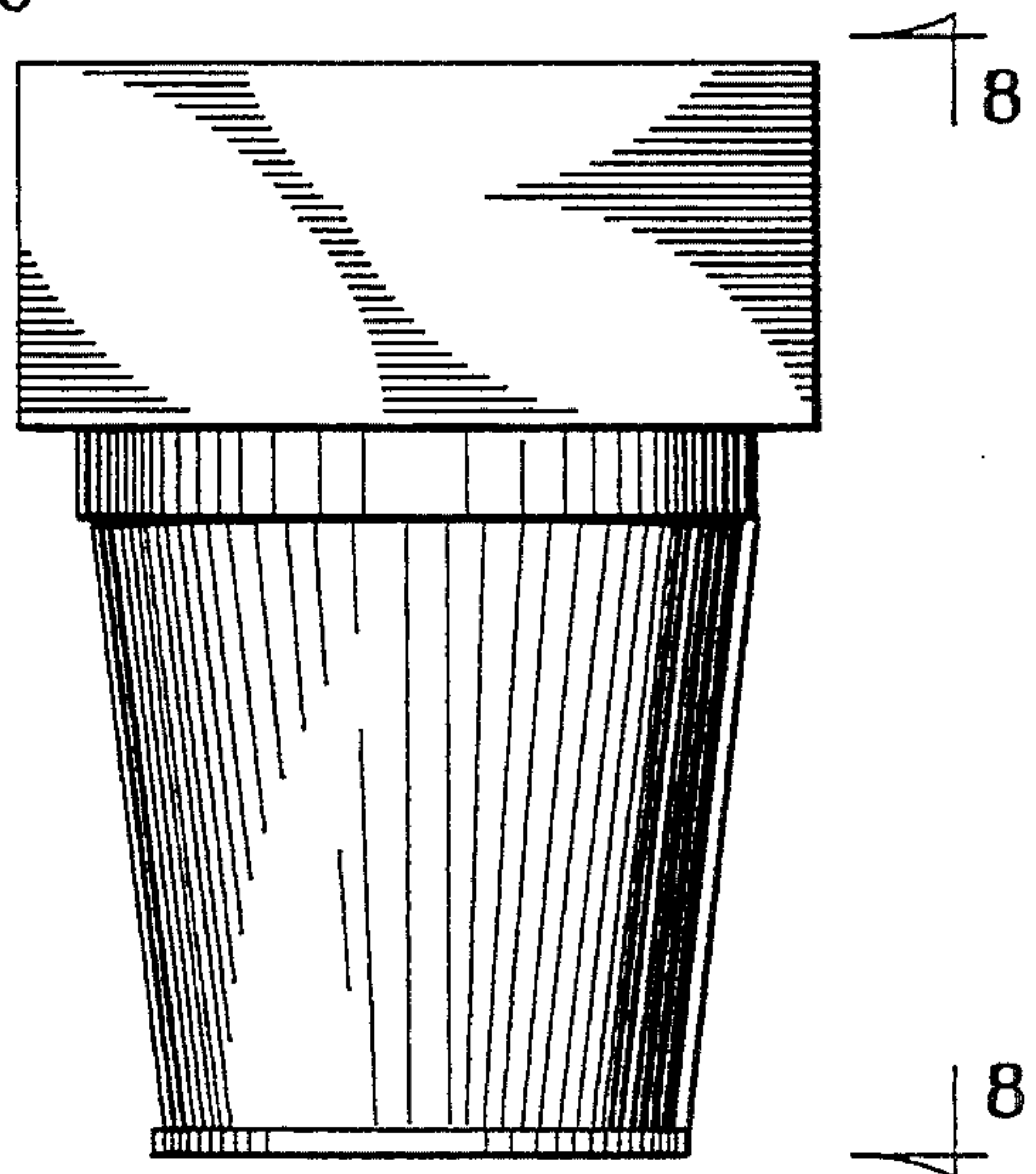
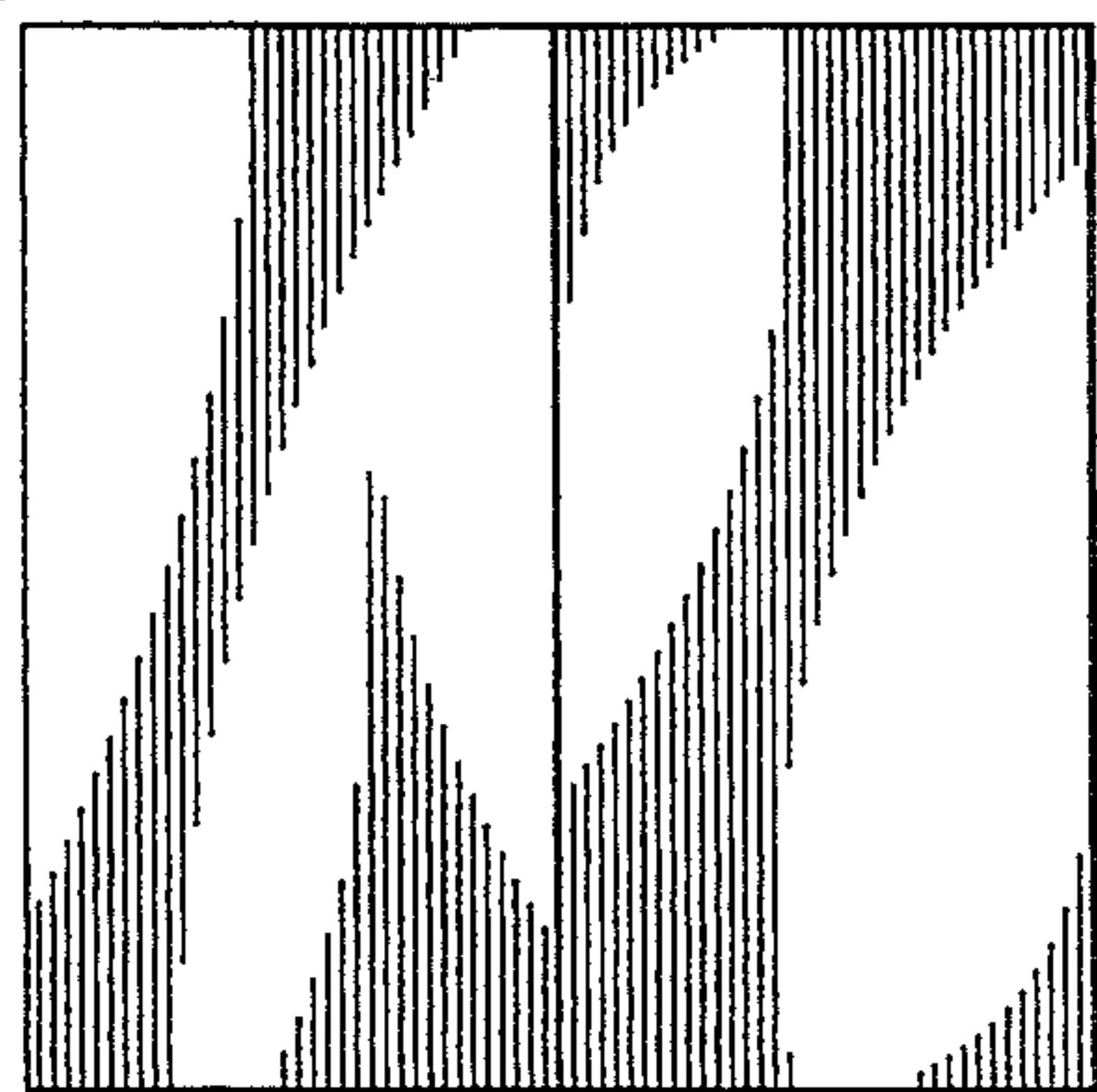


FIG. 4



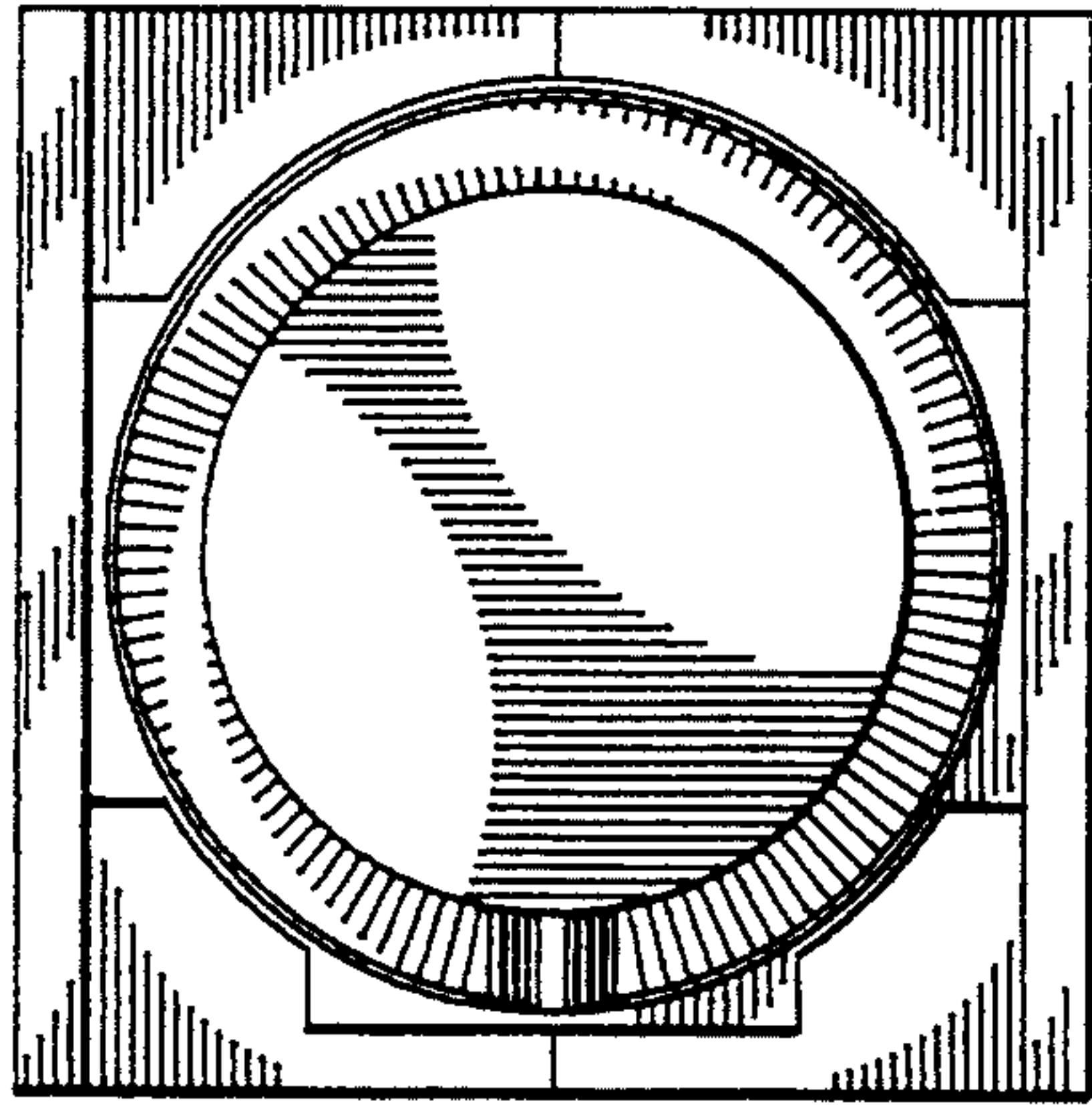


FIG. 7

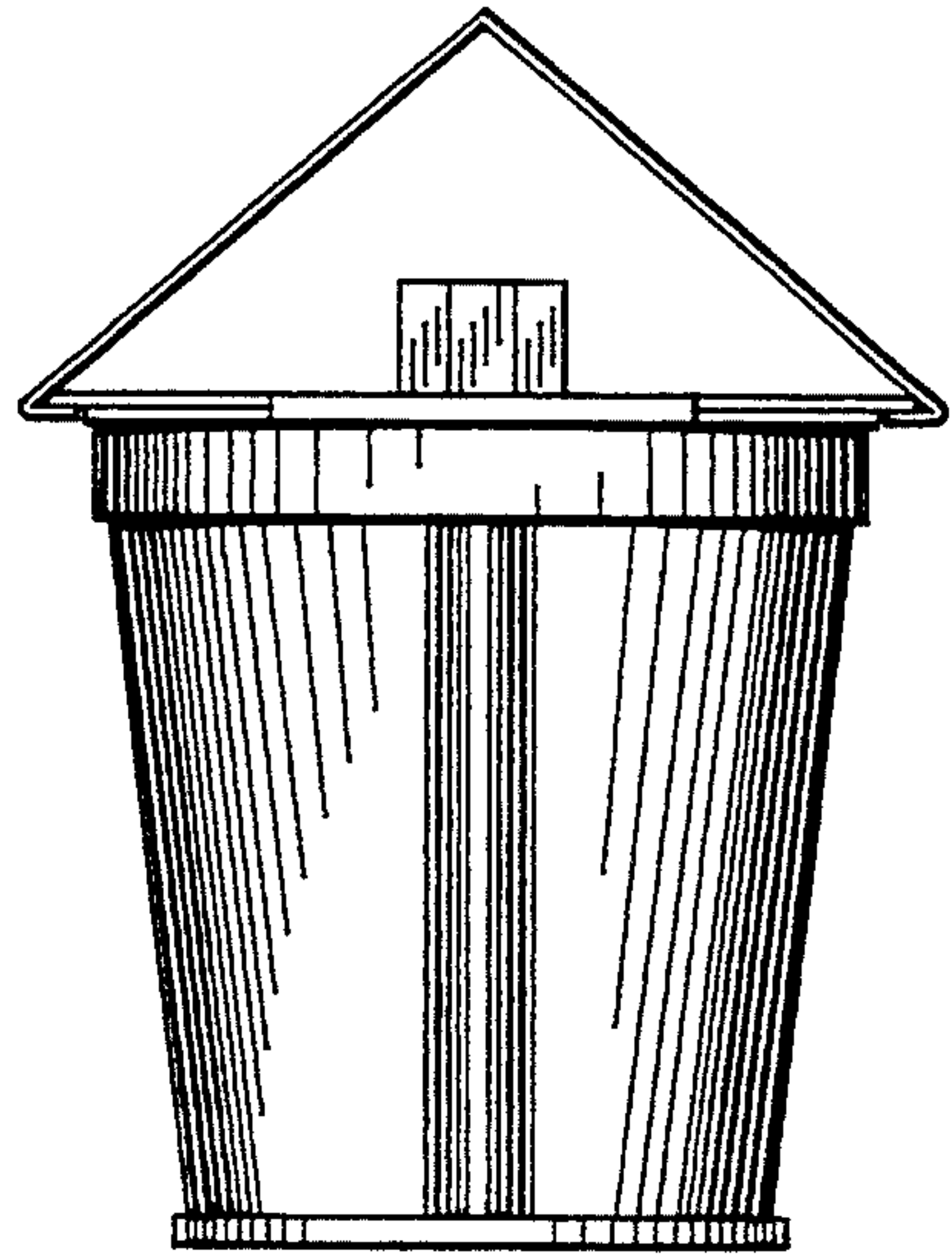


FIG. 8

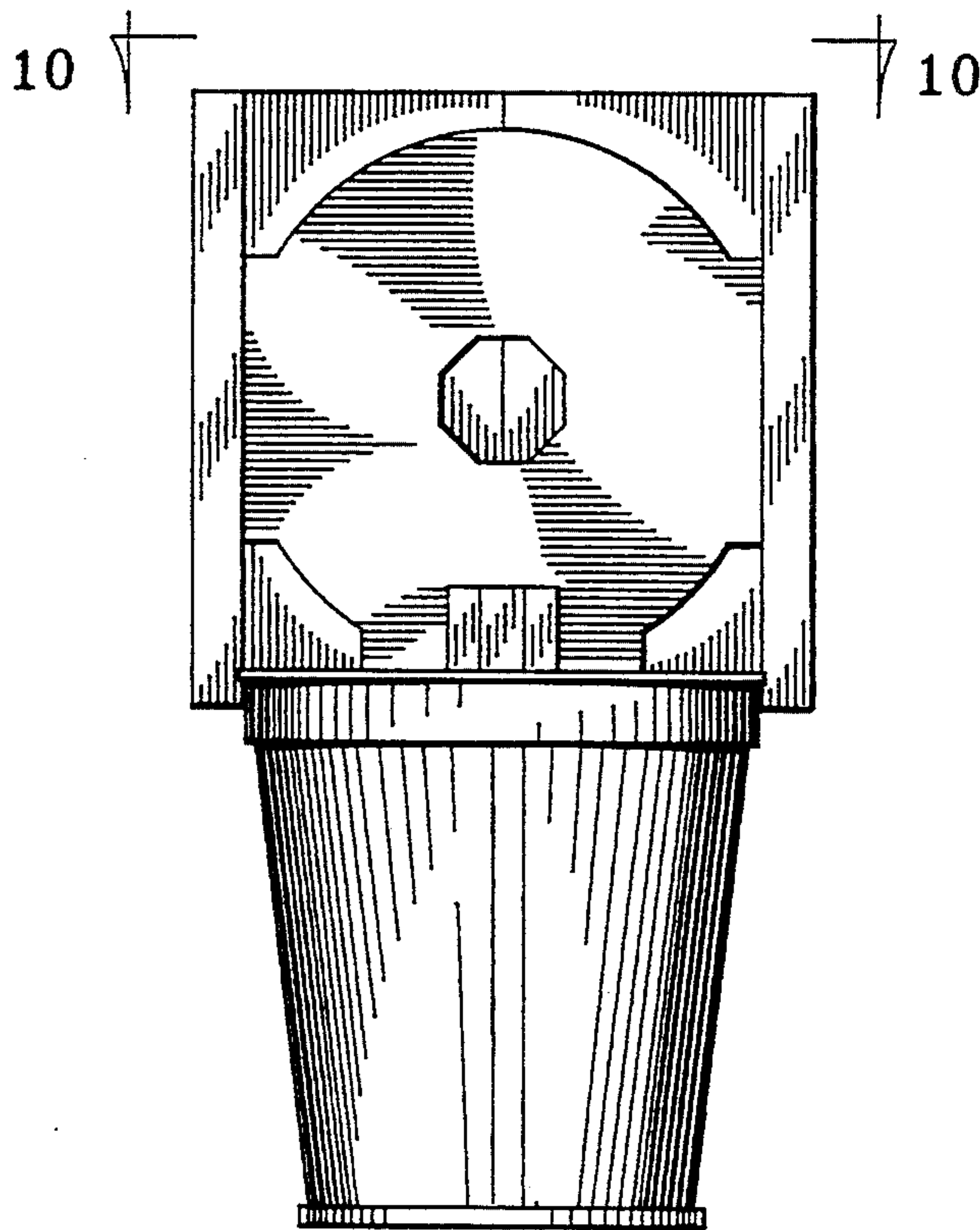


FIG. 9

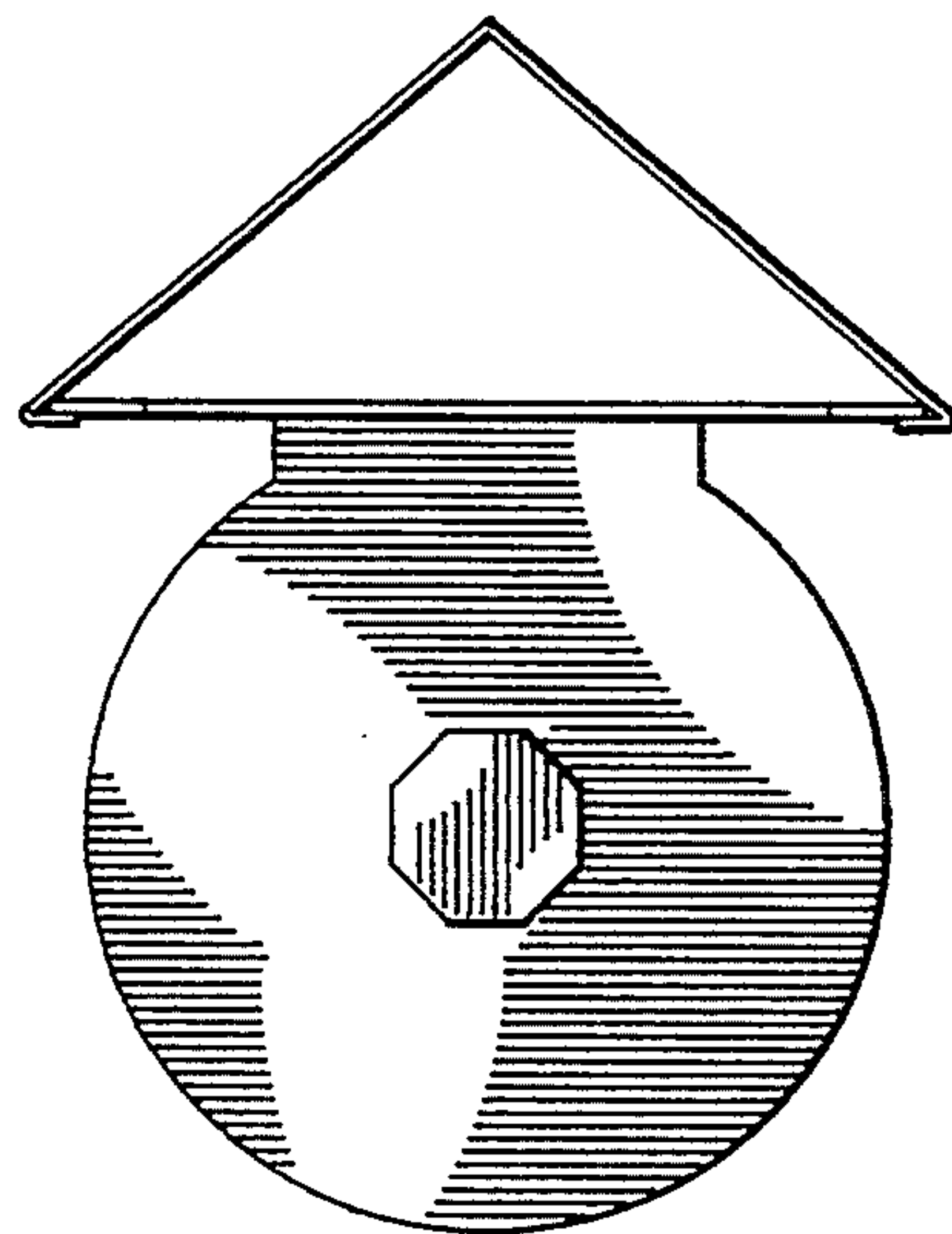


FIG. 10