



US00D362177S

United States Patent [19]

Brown, Jr.

[11] Patent Number: **Des. 362,177**

[45] Date of Patent: **** Sep. 12, 1995**

[54] CONCRETE INSERT

[75] Inventor: **Linn P. Brown, Jr., Philadelphia, Pa.**

[73] Assignee: **Linn Brown & Associates, Inc., Philadelphia, Pa.**

[**] Term: **14 Years**

[21] Appl. No.: **9,113**

[22] Filed: **Jun. 4, 1993**

[52] U.S. Cl. **D8/384**

[58] Field of Search **D8/384; 52/701, 699, 52/702, 704, 705, 706, 707, 708**

[56] References Cited

U.S. PATENT DOCUMENTS

1,045,562	11/1912	Kennedy	52/708
1,136,460	4/1915	Wright	52/708
1,264,189	4/1918	Keator	52/699
3,293,811	12/1966	Rice	52/699
3,391,514	7/1968	Hall, Jr.	52/699
4,088,361	5/1978	Ditcher	52/707
4,512,121	4/1985	Carydias et al.	52/707
4,580,378	4/1986	Kelly et al.	52/701
4,945,704	8/1990	Brown, Jr.	52/706

OTHER PUBLICATIONS

“Loop Design Light Duty Concrete Insert”, Linn Brown & Associates, Inc., at least by May, 1992 (1 page).

Catalog PH-2 “Grinnel Pipe Hangers”, Grinnel Supply Sales Company, at least by May, 1992 (Cover page and pp. ph-51 and ph-52).

Primary Examiner—Theodore M. Shooman

Assistant Examiner—Philip Hyder

Attorney, Agent, or Firm—Panitch Schwarze Jacobs & Nadel

[57] CLAIM

The ornamental design for a concrete insert, as shown and described.

DESCRIPTION

FIG. 1 is a front elevational view of a concrete insert showing my new design, the rear elevational view being identical;

FIG. 2 is a left side elevational view thereof, the right side elevational view being identical;

FIG. 3 is a top plan view thereof; and,

FIG. 4 is a bottom plan view thereof.

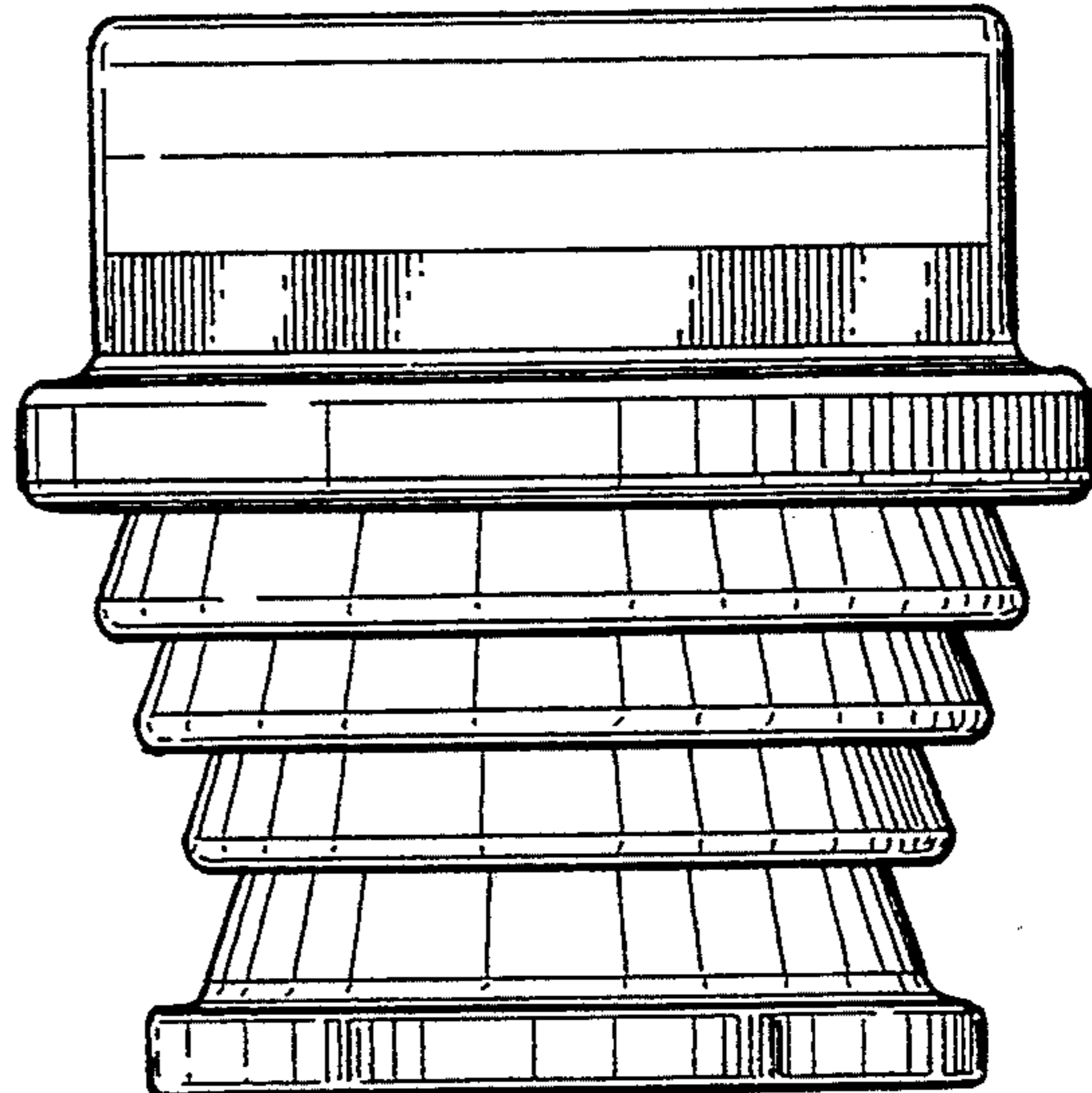
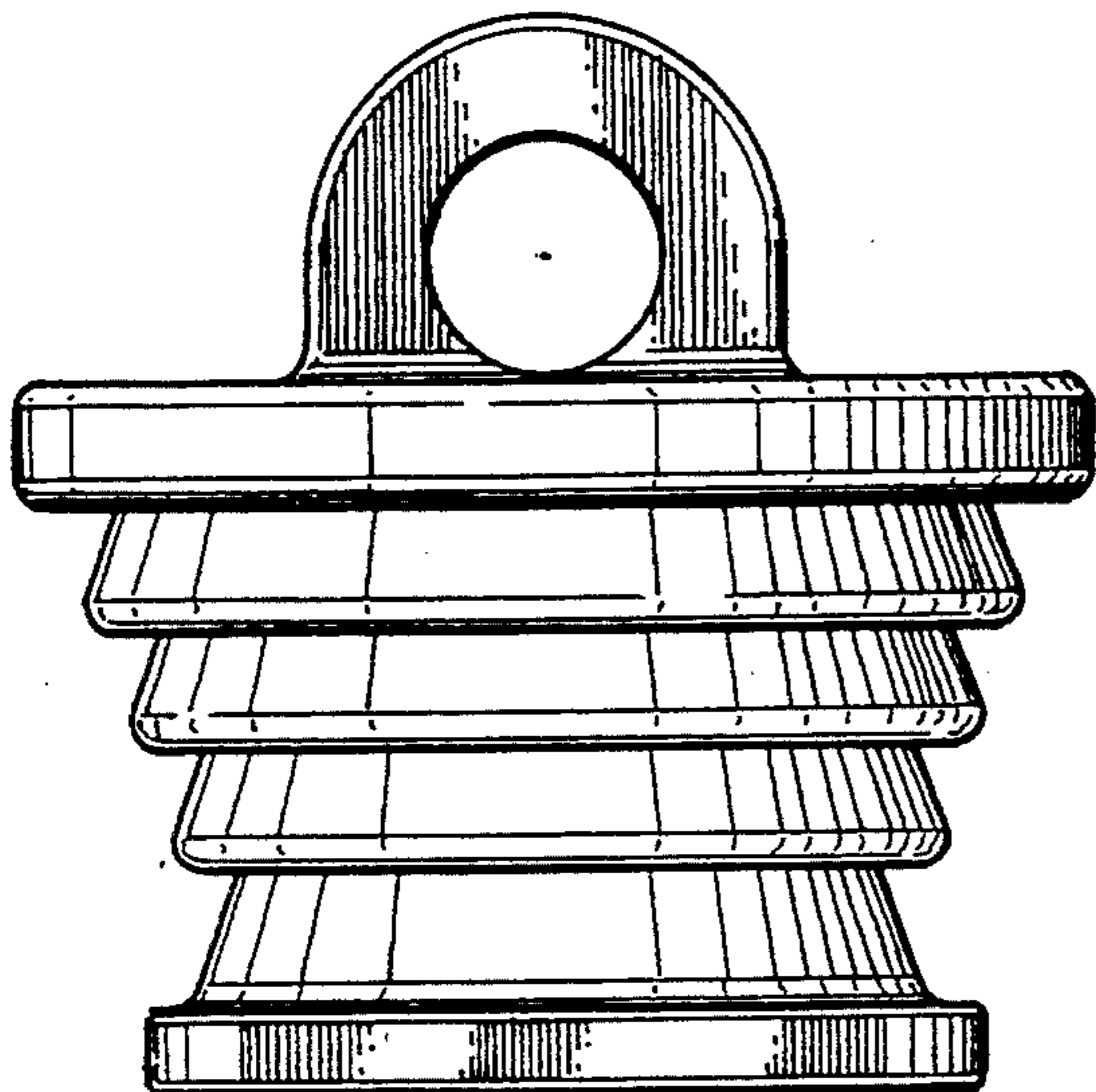


FIG. 1

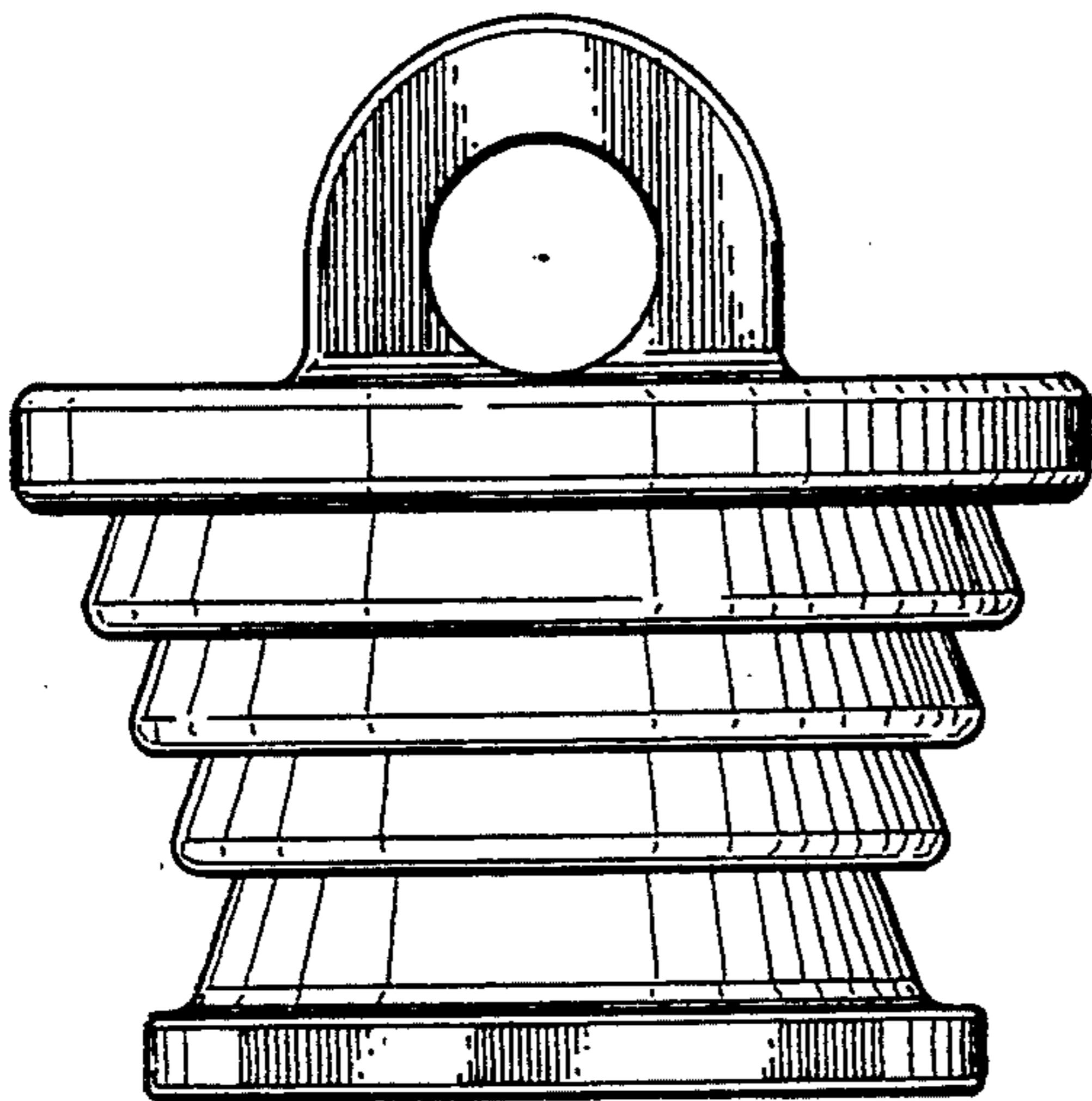


FIG. 2

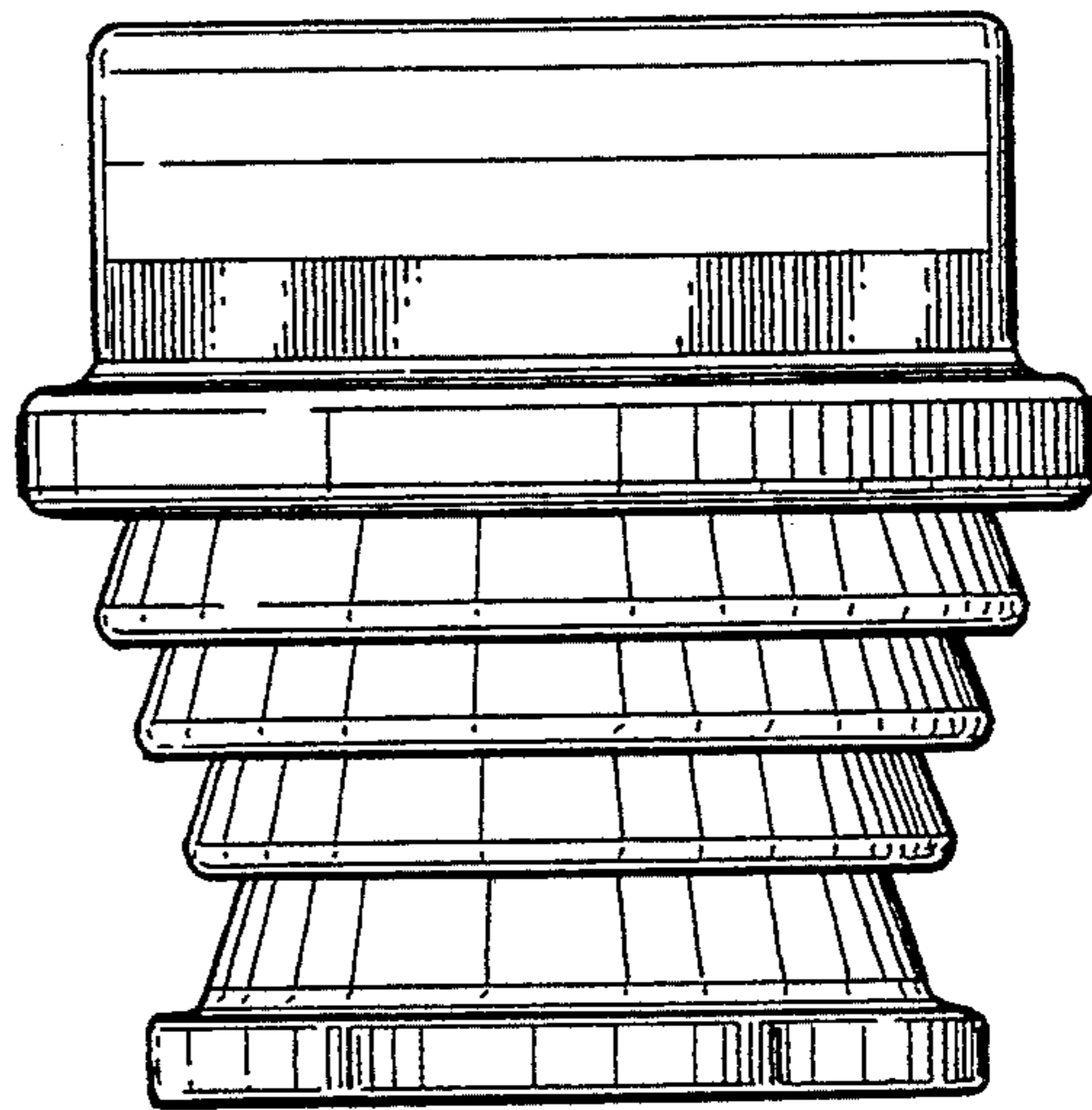


FIG. 3

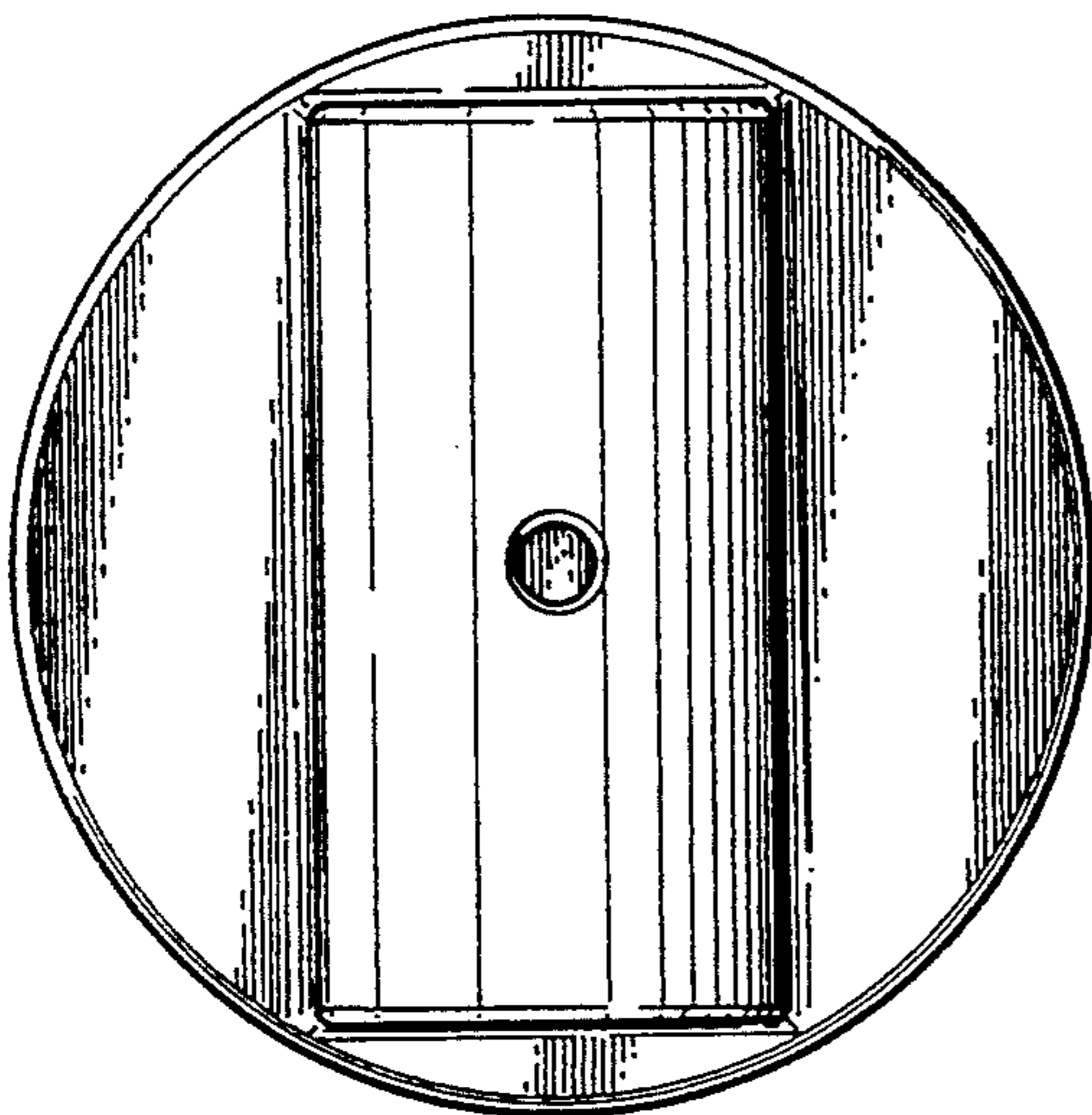


FIG. 4

