



US00D362172S

# United States Patent [19]

[11] Patent Number: **Des. 362,172**

Lo

[45] Date of Patent: **\*\* Sep. 12, 1995**

[54] **AUTOMOBILE STEERING WHEEL LOCK**

D. 349,840 8/1994 Fuller ..... D8/331  
4,304,110 1/1981 Fain ..... 70/209

[76] Inventor: **Tsung-I Lo**, 5th Fl. No.76, AI-Kuo  
E.RD., Taipei, Taiwan

*Primary Examiner*—Brian N. Vinson

[\*\*] Term: **14 Years**

[57] **CLAIM**

[21] Appl. No.: **29,723**

The ornamental design for automobile steering wheel lock, as shown and described.

[22] Filed: **Oct. 14, 1994**

**DESCRIPTION**

[52] U.S. Cl. .... **D8/339; D8/331**

[58] Field of Search ..... **D8/330-331,**  
**D8/339, 341; 70/207-211, 214-215, 225-226,**  
**237-238; 292/289**

FIG. 1 is a top, front, and left side perspective view of automobile steering wheel lock showing my new design;

FIG. 2 is a front elevational view thereof;

FIG. 3 is a rear elevational view thereof;

FIG. 4 is a left side elevational view thereof;

FIG. 5 is a right side elevational view thereof;

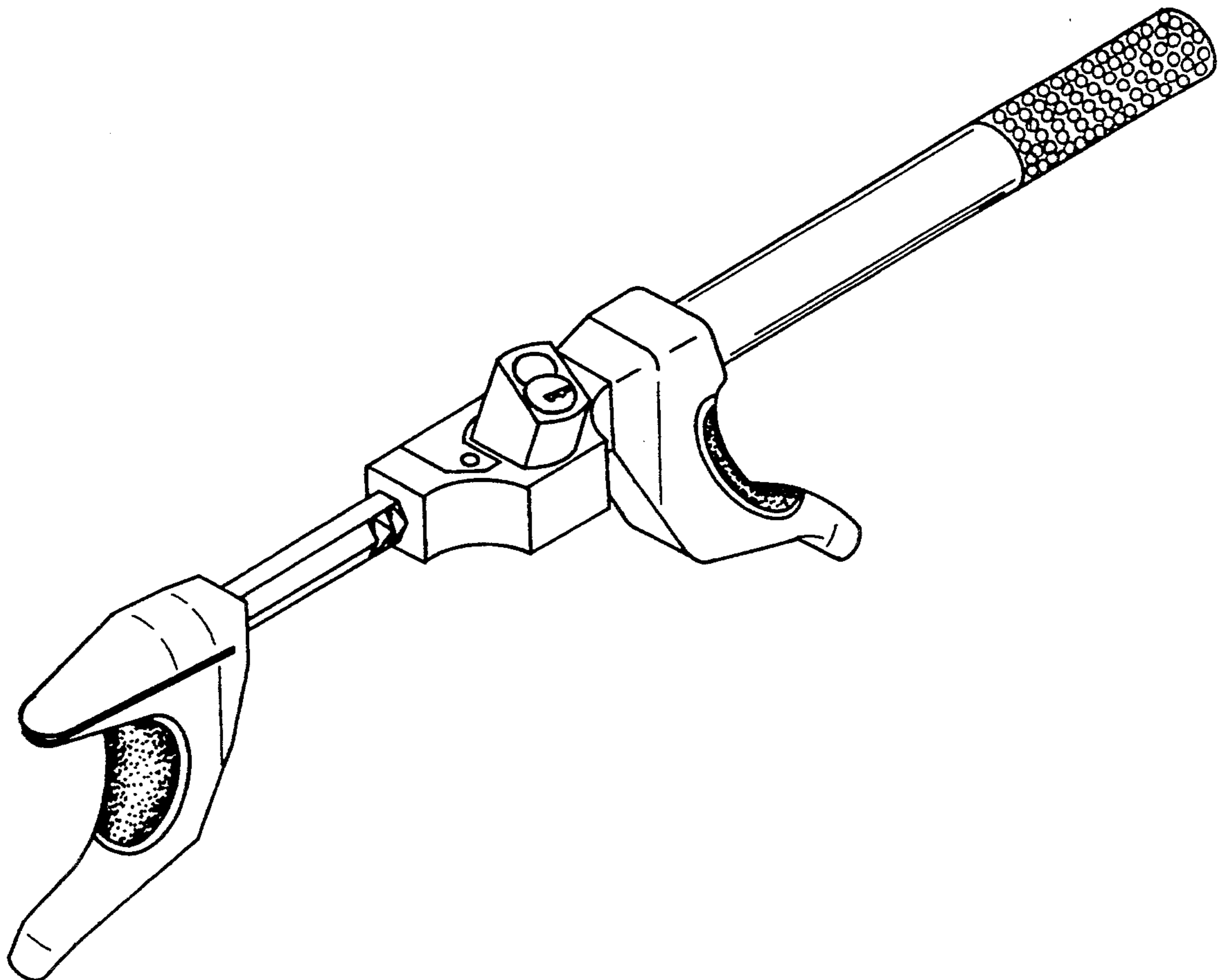
FIG. 6 is a top plan view thereof; and,

FIG. 7 is a bottom plan view thereof.

[56] **References Cited**

**U.S. PATENT DOCUMENTS**

D. 330,840 11/1992 Chen ..... D8/331  
D. 349,839 8/1994 Gilardelli ..... D8/331



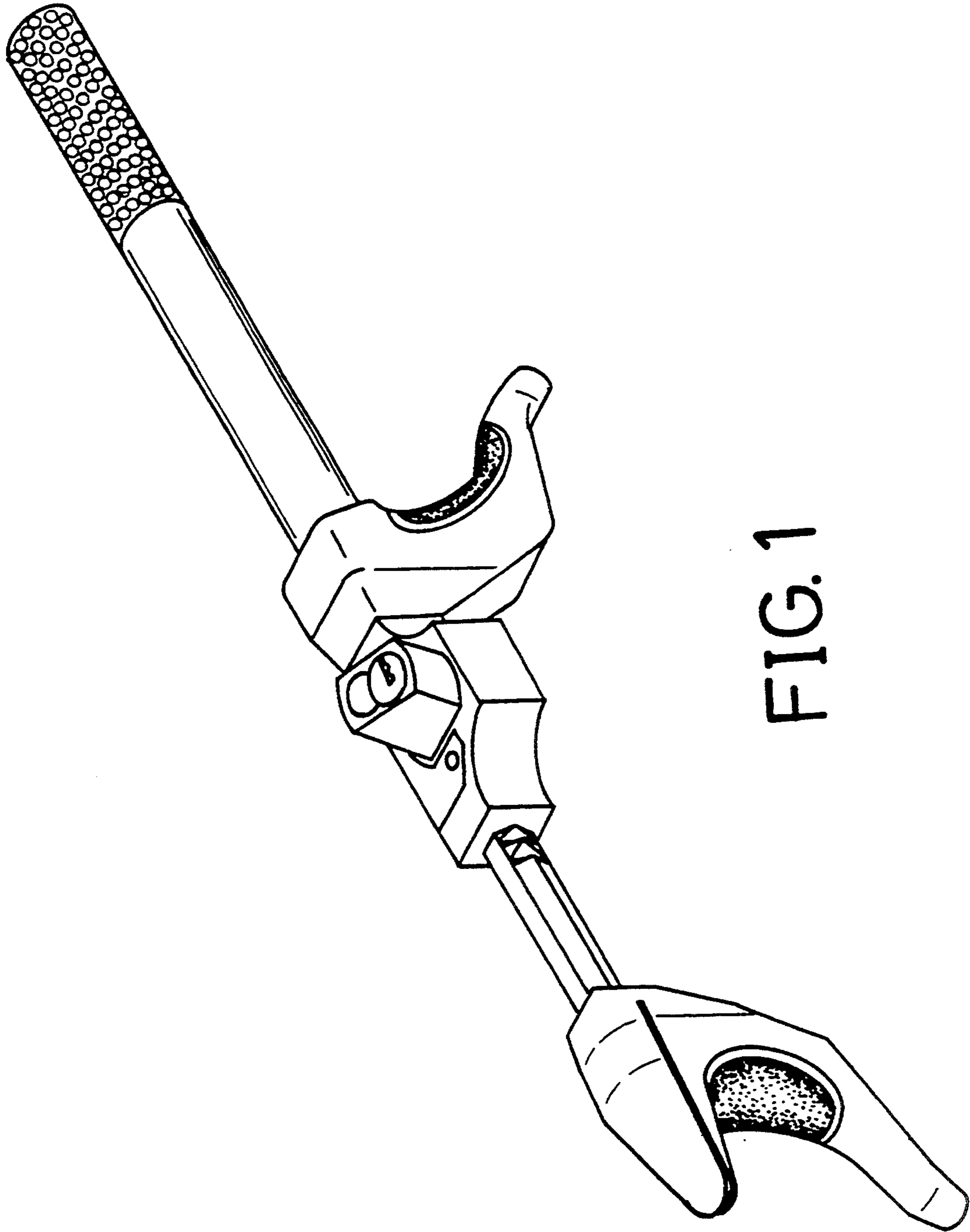


FIG. 1

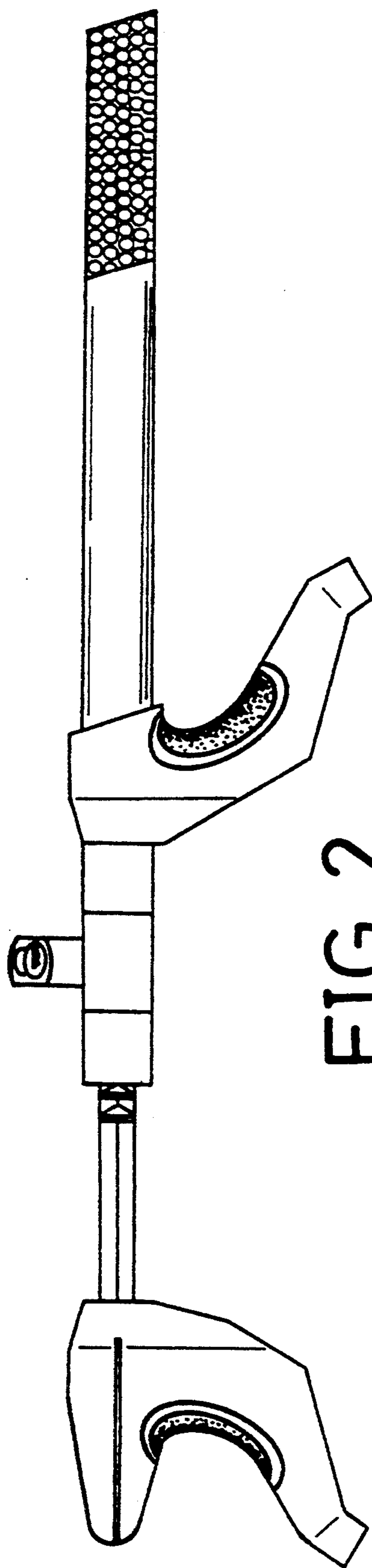


FIG. 2

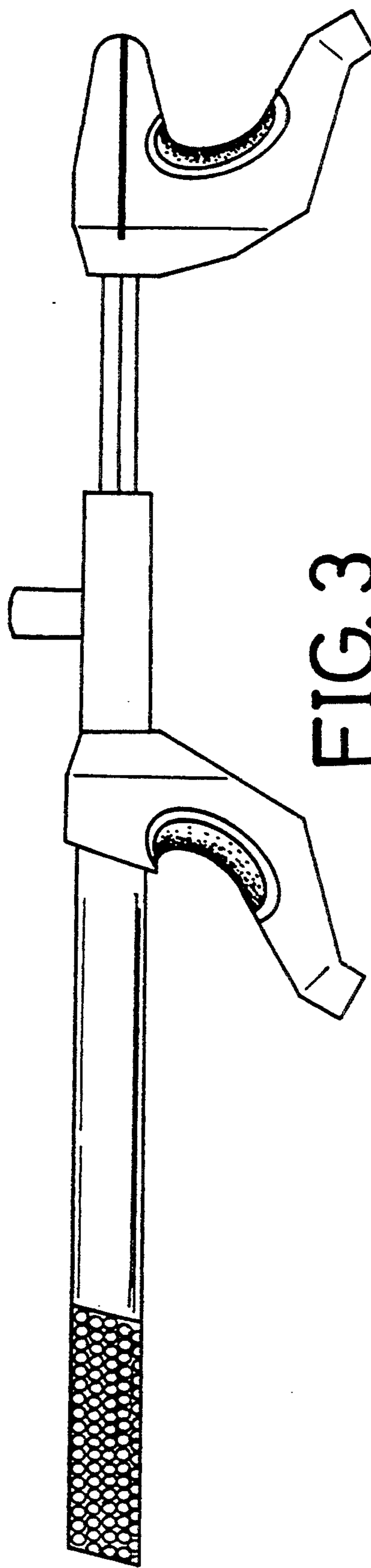


FIG. 3

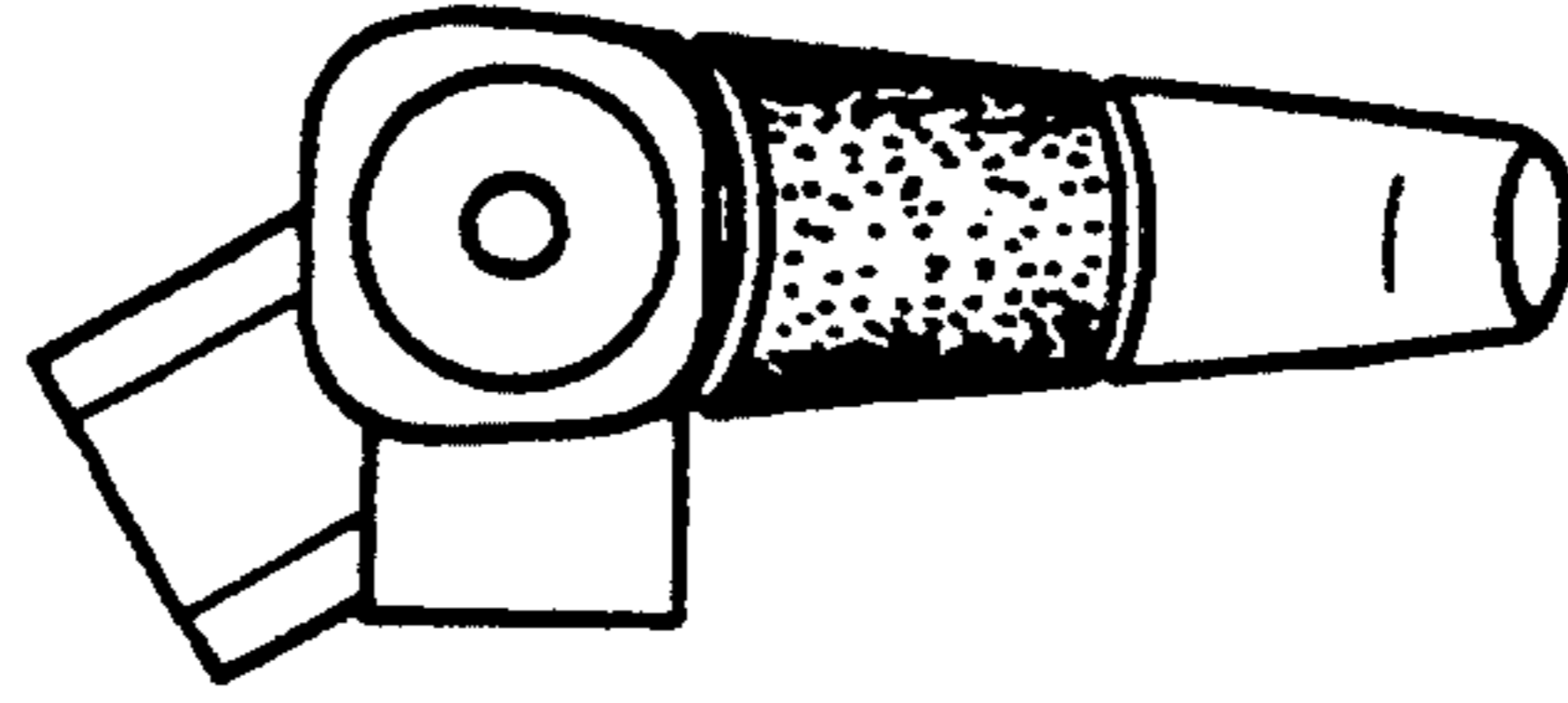


FIG. 5

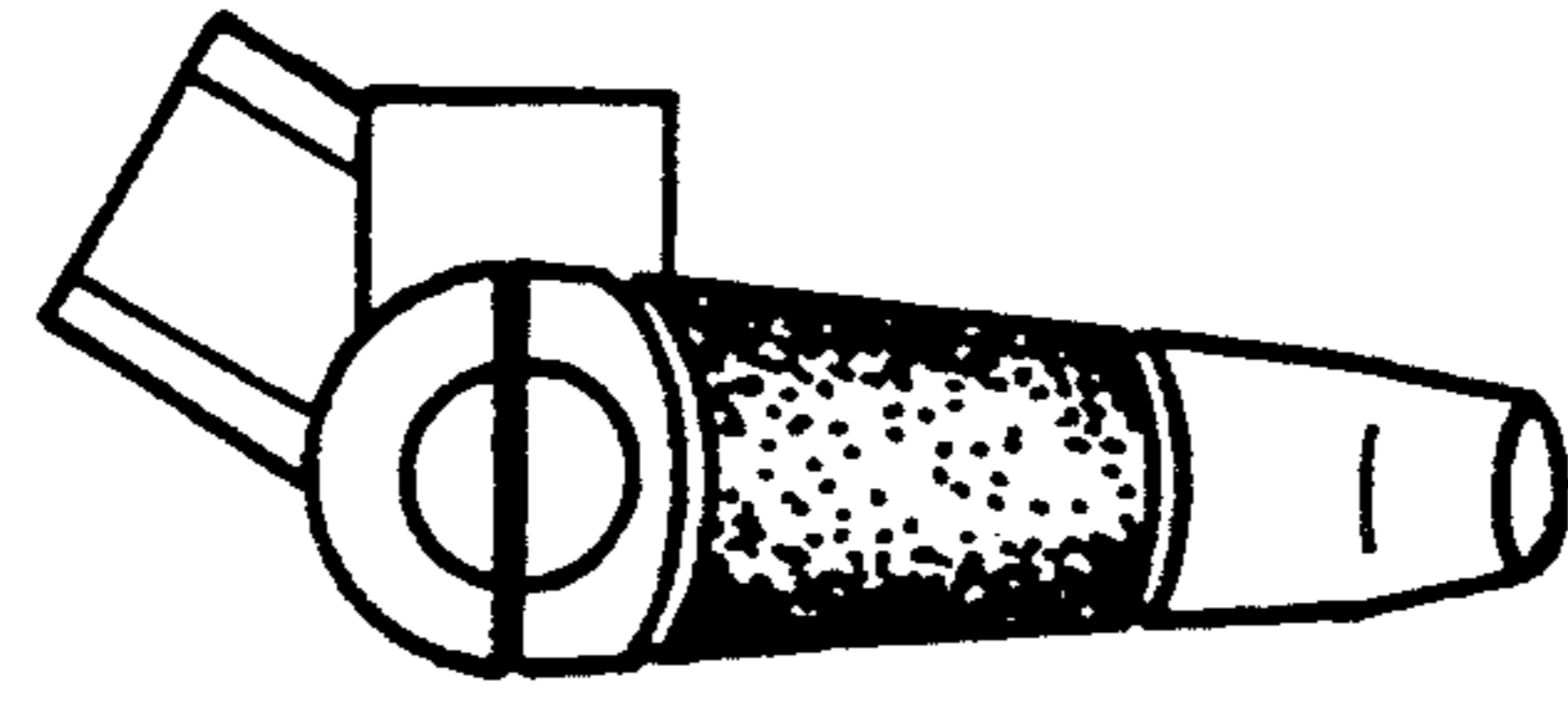


FIG. 4

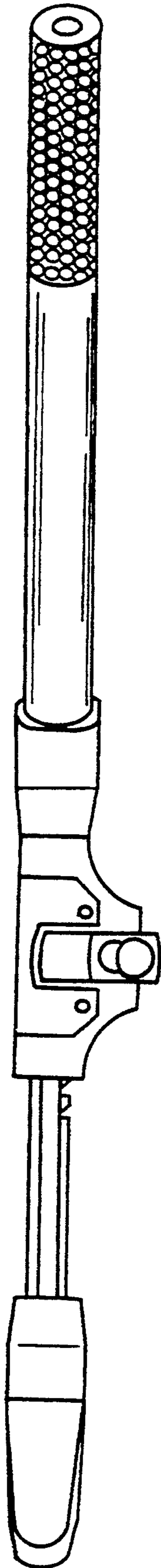


FIG. 6

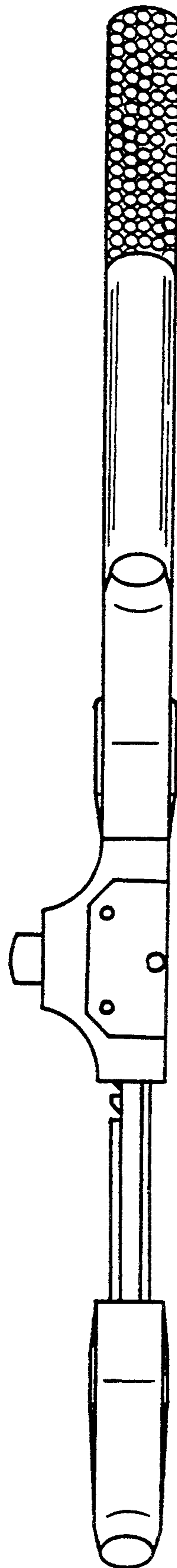


FIG. 7