



US00D362168S

United States Patent [19]

Mancini

[11] Patent Number: **Des. 362,168**

[45] Date of Patent: **** Sep. 12, 1995**

[54] **CLOTHING CUTTER**

[76] Inventor: **Joseph Mancini**, 1614 Pennington Rd., Philadelphia, Pa. 19151

[**] Term: **14 Years**

[21] Appl. No.: **18,298**

[22] Filed: **Feb. 3, 1994**

[52] U.S. Cl. **D8/98**

[58] Field of Search **D8/98, 14; 30/162, 294, 30/320, 314, 335**

4,958,435 9/1990 Grubbs et al. 30/248
 5,046,253 9/1991 Ireland 30/314
 5,092,049 3/1992 Grubbs et al. 30/248
 5,127,162 7/1992 Mansfield 30/294

Primary Examiner—Terry A. Wallace
Assistant Examiner—Philip Hyder
Attorney, Agent, or Firm—Terry M. Gernstein

[57] CLAIM

The ornamental design for a clothing cutter, as shown and described.

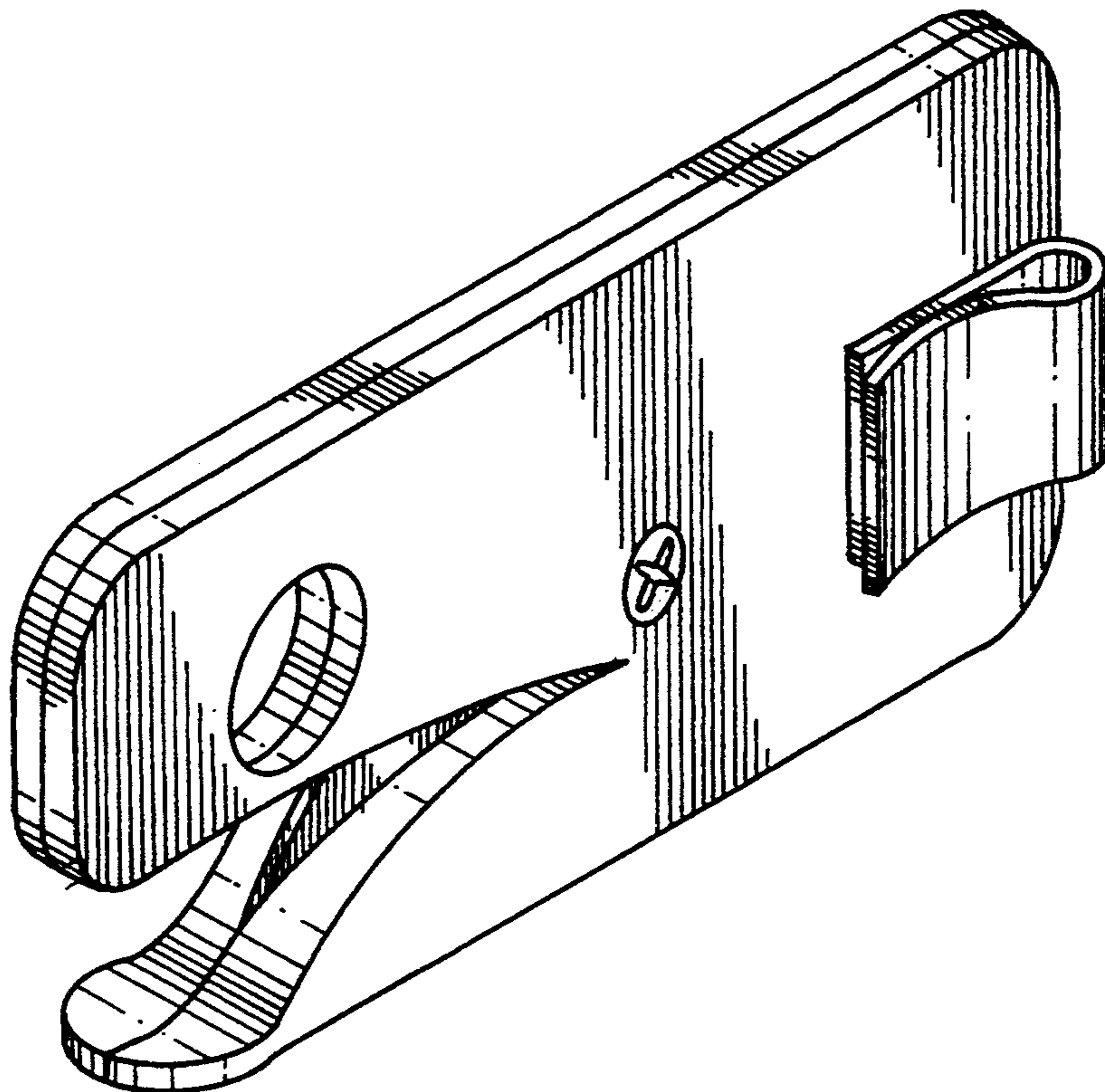
DESCRIPTION

FIG. 1 is a front, top and side perspective view of the clothing cutter showing my new design;
 FIG. 2 is a front elevational view thereof;
 FIG. 3 is a rear elevational view thereof;
 FIG. 4 is a right side elevational view thereof;
 FIG. 5 is a left side elevational view thereof;
 FIG. 6 is a top plan view thereof; and,
 FIG. 7 is a bottom plan view thereof.

[56] **References Cited**

U.S. PATENT DOCUMENTS

D. 294,797	3/1988	Itoh	D8/98
D. 295,365	4/1988	Freedman	D8/98
3,028,670	4/1962	Tilly	30/294
3,290,780	7/1972	Oehlert	30/294
3,673,687	7/1972	Phillips et al.	30/294
3,751,806	8/1973	Patrick	30/315
4,507,864	4/1985	Leibowitz	30/248



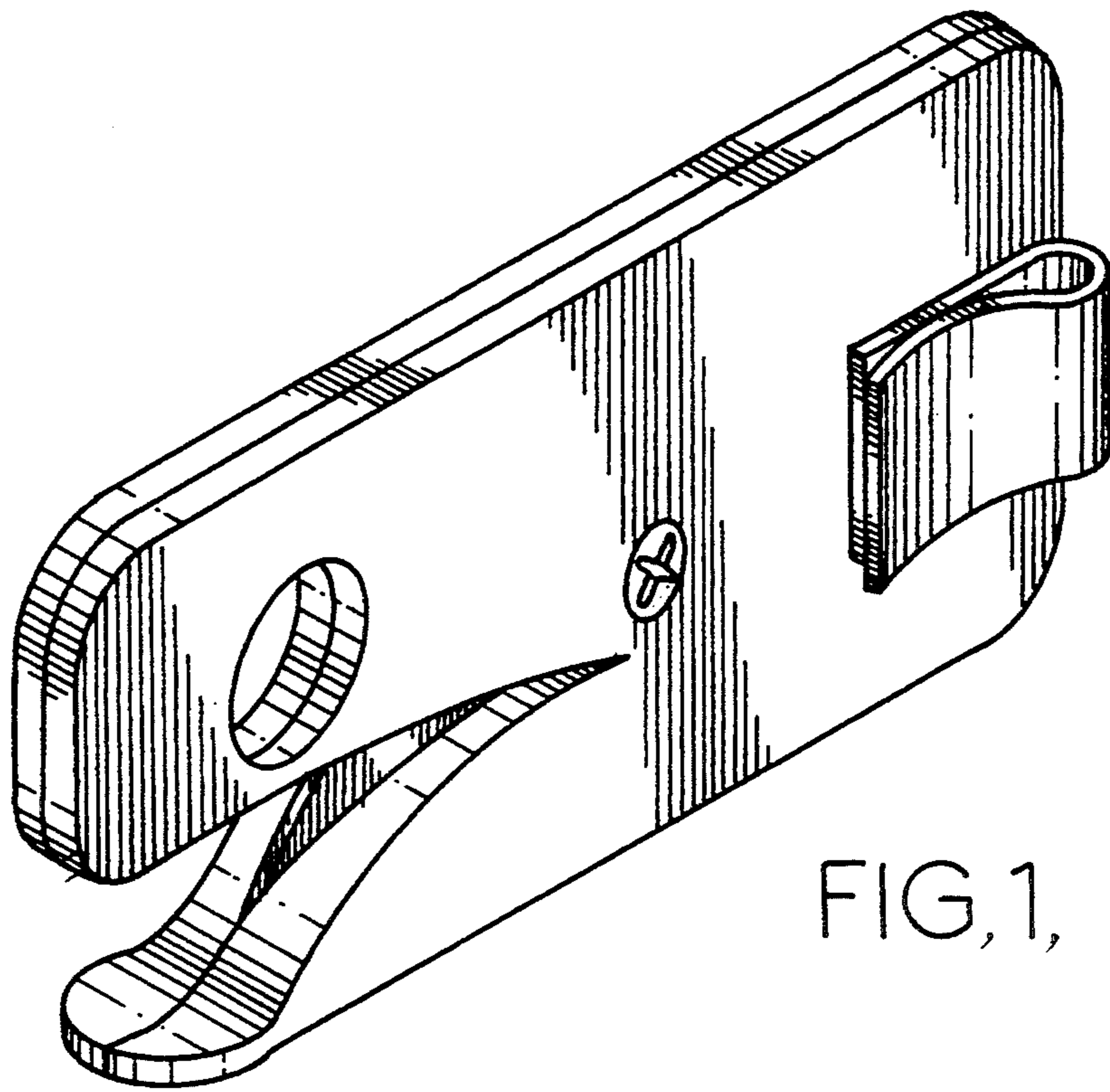


FIG. 1,

FIG. 5.

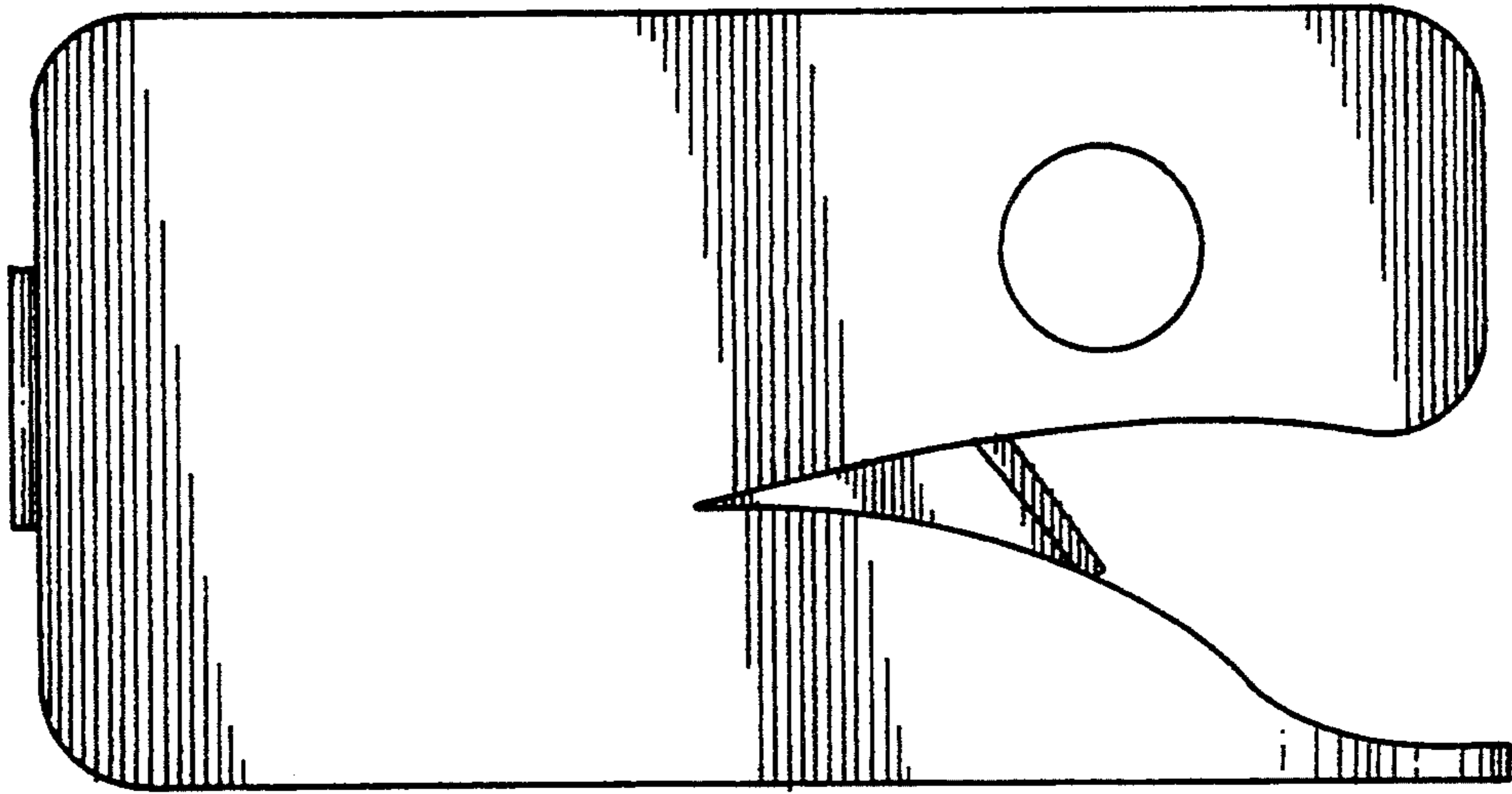


FIG. 7.

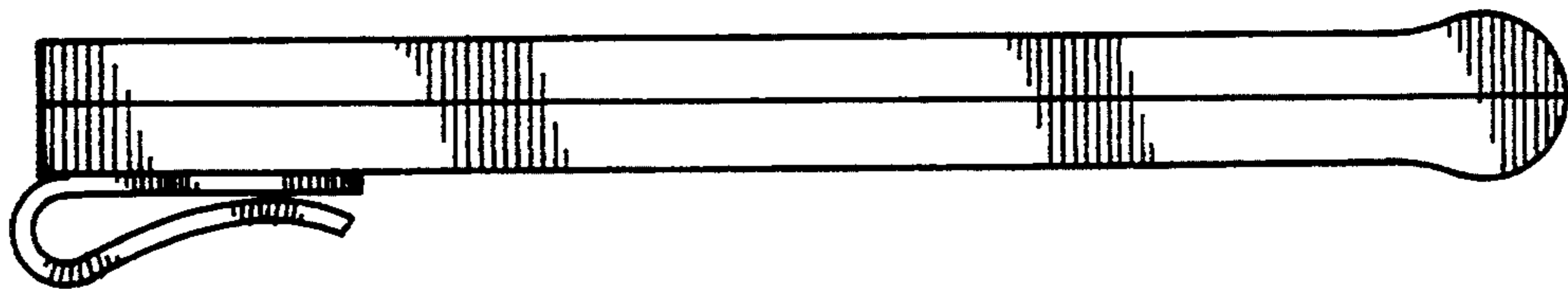


FIG. 2.



FIG. 4.

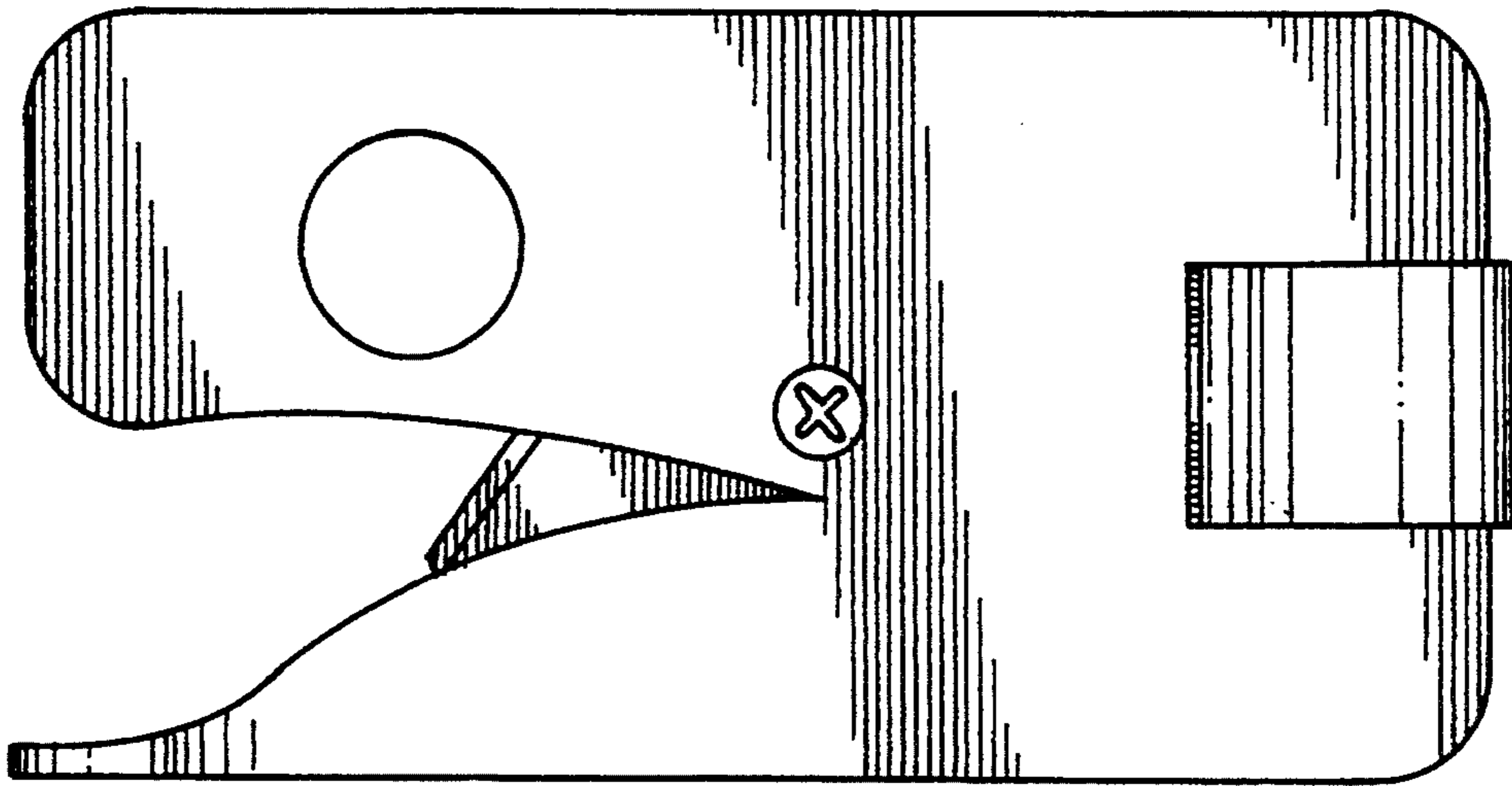


FIG. 6.

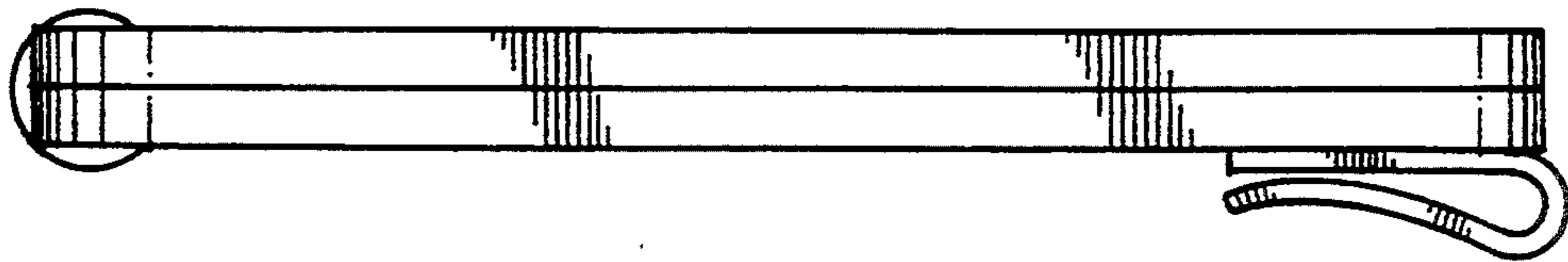


FIG. 3.

