



US00D362167S

United States Patent [19]

[11] Patent Number: **Des. 362,167**

Zurwelle

[45] Date of Patent: **** Sep. 12, 1995**

[54] **CORDLESS POWER TOOL**

[75] Inventor: **Donald W. Zurwelle**, Lutherville, Md.

[73] Assignee: **Black & Decker Inc.**, Newark, Del.

[**] Term: **14 Years**

[21] Appl. No.: **27,526**

[22] Filed: **Jun. 1, 1994**

Related U.S. Application Data

[63] Continuation of Ser. No. 11,795, Aug. 13, 1993.

[52] U.S. Cl. **D8/68**

[58] Field of Search **D8/68, 61; 81/54, 57.11, 81/57.14; 173/170; 408/124, 125**

[56] References Cited

U.S. PATENT DOCUMENTS

D. 295,714	5/1988	Sasaki et al.	D8/68
D. 296,412	6/1988	Nelson et al.	D8/68
D. 303,204	9/1989	Marks	D8/68
D. 303,488	9/1989	Fonck	D8/68
D. 315,282	3/1991	Schmidt et al.	D8/68
D. 331,356	12/1992	Amsberry	D8/68
D. 340,394	10/1993	Okumura	D8/68
D. 344,000	2/1994	Shibata et al.	D8/68

OTHER PUBLICATIONS

Hitachi Power Tools Catalog, Copyright 1993, pp. 6-9 (Ex. A).

Hitachi Power Tools Catalog, (Date Unknown), pp. 6-8 (Ex. B) Admitted Prior Art.

Makita Catalog, (Date Unknown) (Ex. C) Admitted Prior Art.

Makita Catalog, Copyright 1990, (Ex. D).

Milwaukee Heavy-Duty Electric Tools Catalog, (Date Unknown), p. 18 (Ex. E) Admitted prior art.

Panasonic Cordless Professional Power Tools, published on or before Aug. 15, 1989 (Ex. F).
Panasonic Cordless Professional Power Tools Catalog, published on or before Aug. 17, 1993 (Ex. G).

Primary Examiner—Alan P. Douglas
Assistant Examiner—Jeffrey H. Musgrove
Attorney, Agent, or Firm—Dennis A. Dearing; John D. Del Ponti; Charles E. Yocum

[57] CLAIM

The ornamental design for a cordless power tool, as shown and described.

DESCRIPTION

FIG. 1 is a right side elevational view of one embodiment of a cordless power tool showing my new design. The left side elevational view is a mirror image of the right side elevational view.

FIG. 2 is a top plan view thereof;

FIG. 3 is a bottom plan view thereof;

FIG. 4 is a front elevational view thereof;

FIG. 5 is a rear elevational view thereof;

FIG. 6 is a right side elevational view of second embodiment of a cordless power tool showing my new design. The left side elevational view is a mirror image of the right side elevational view;

FIG. 7 is a top plan view thereof;

FIG. 8 is a bottom plan view thereof;

FIG. 9 is a front elevational view thereof;

FIG. 10 is a rear elevational view thereof;

FIG. 11 is a right side elevational view of third embodiment of a cordless power tool showing my new design. The left side elevational view is a mirror image of the right side elevational view;

FIG. 12 is a top plan view thereof;

FIG. 13 is a bottom plan view thereof;

FIG. 14 is a front elevational view thereof; and,

FIG. 15 is a rear elevational view thereof.

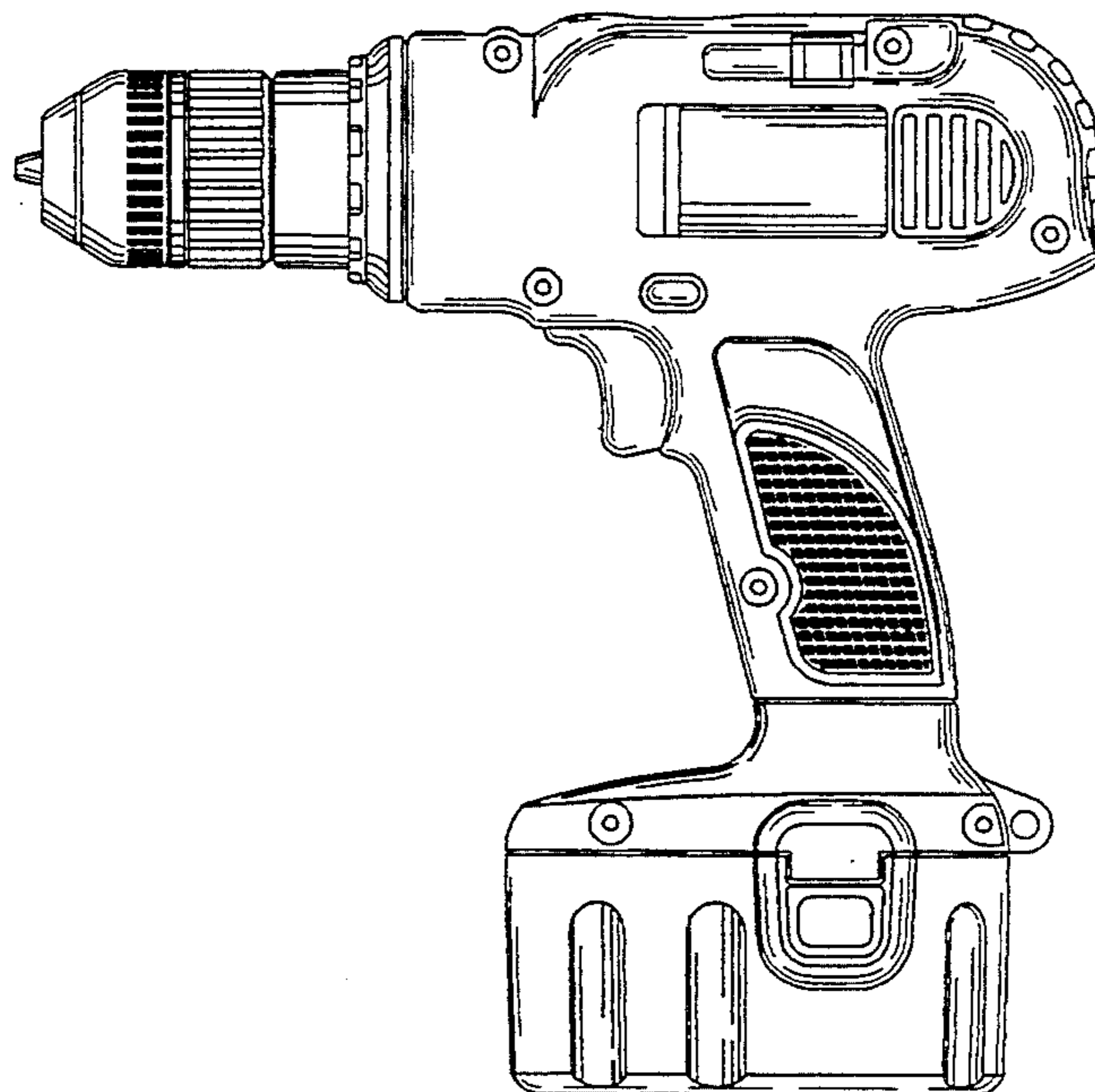


FIG. 2

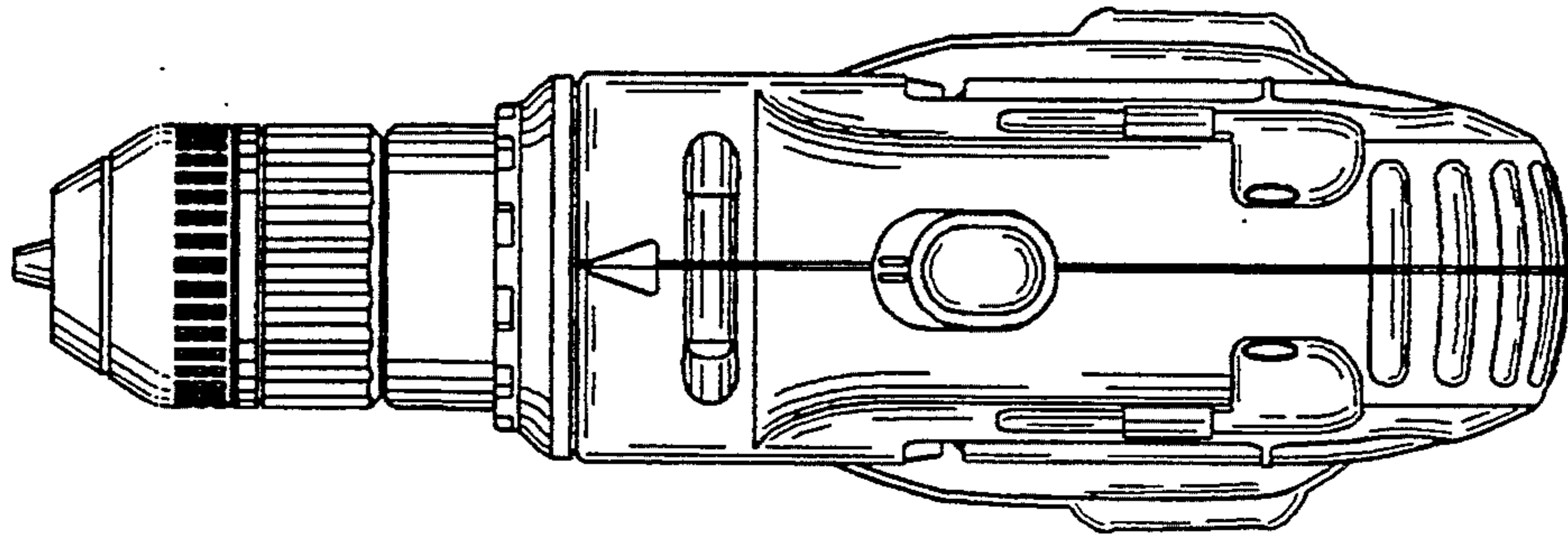


FIG. 1

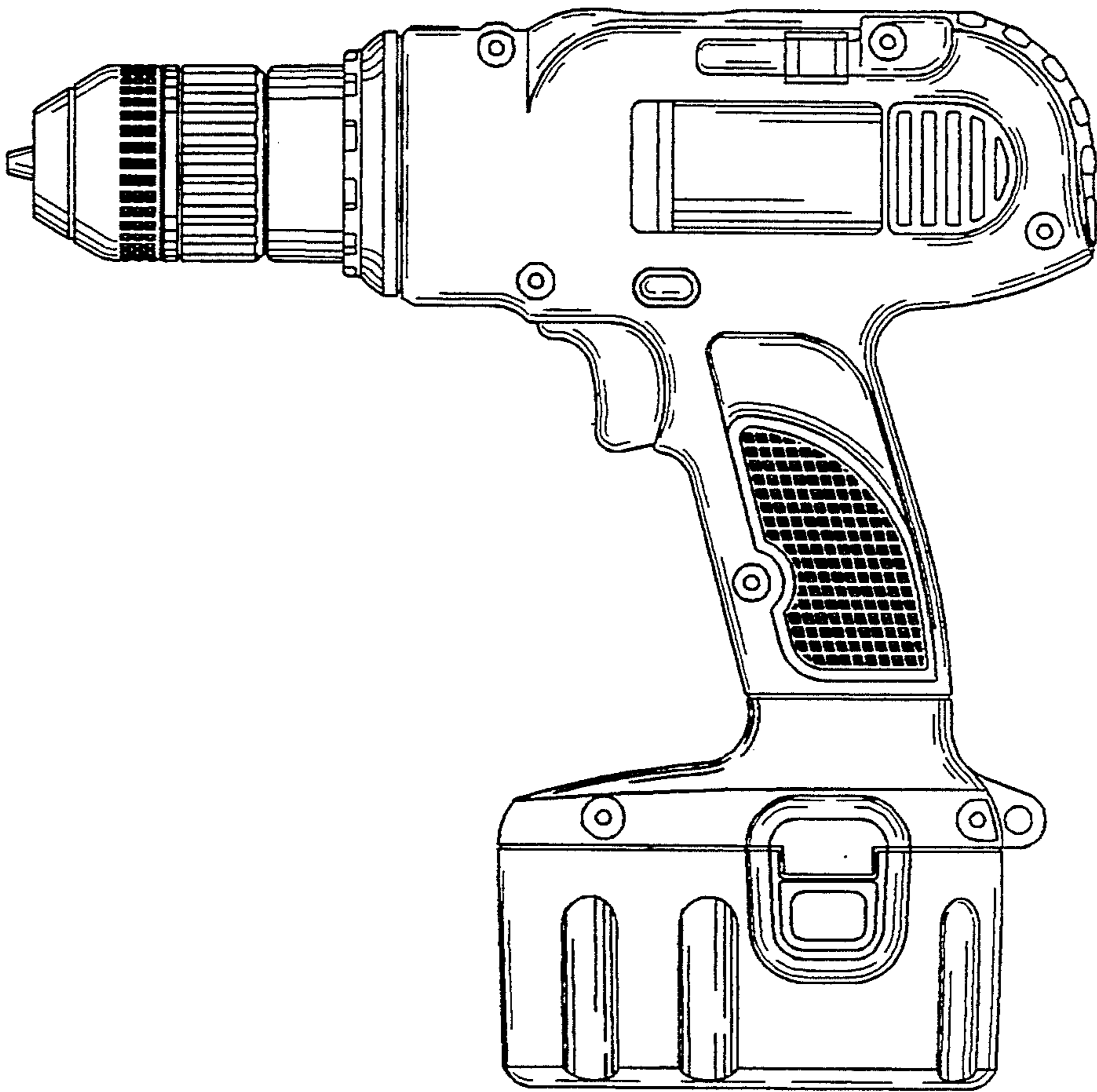


FIG. 3

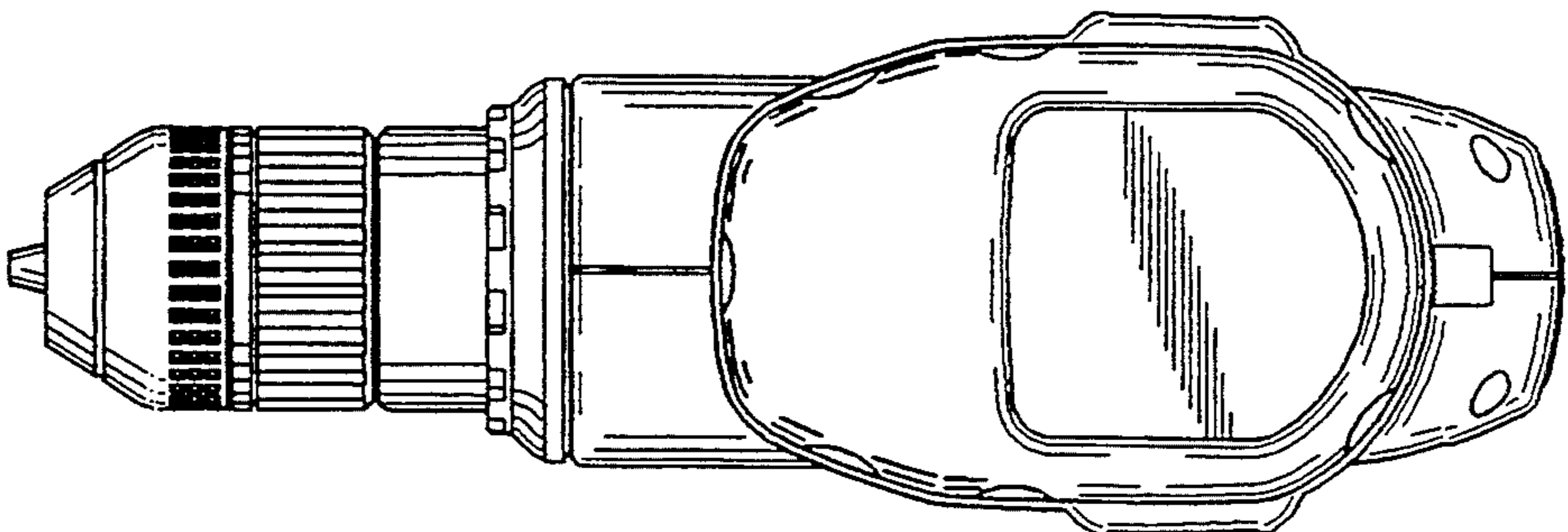


FIG. 4

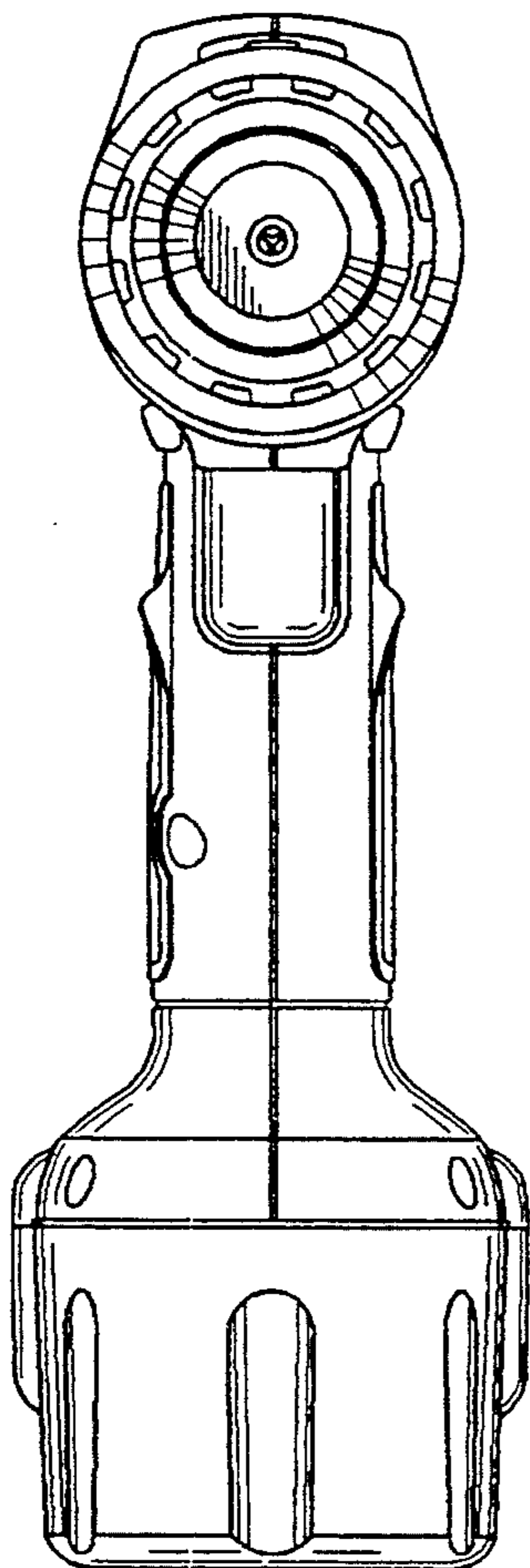


FIG. 5

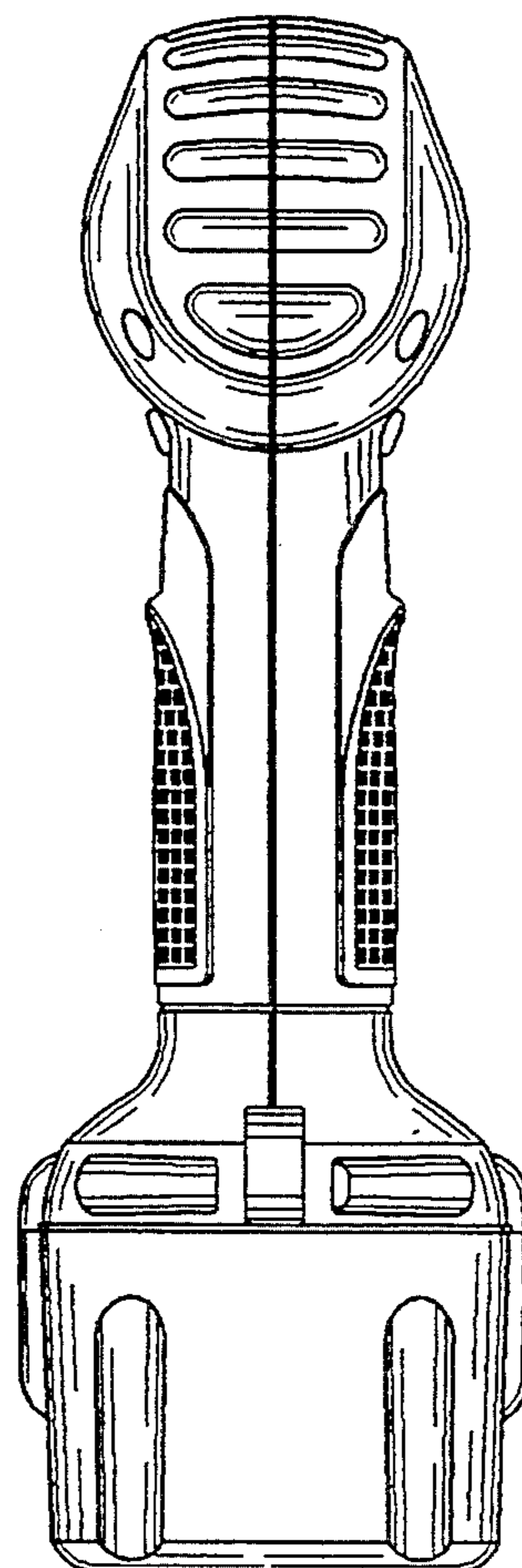


FIG. 7

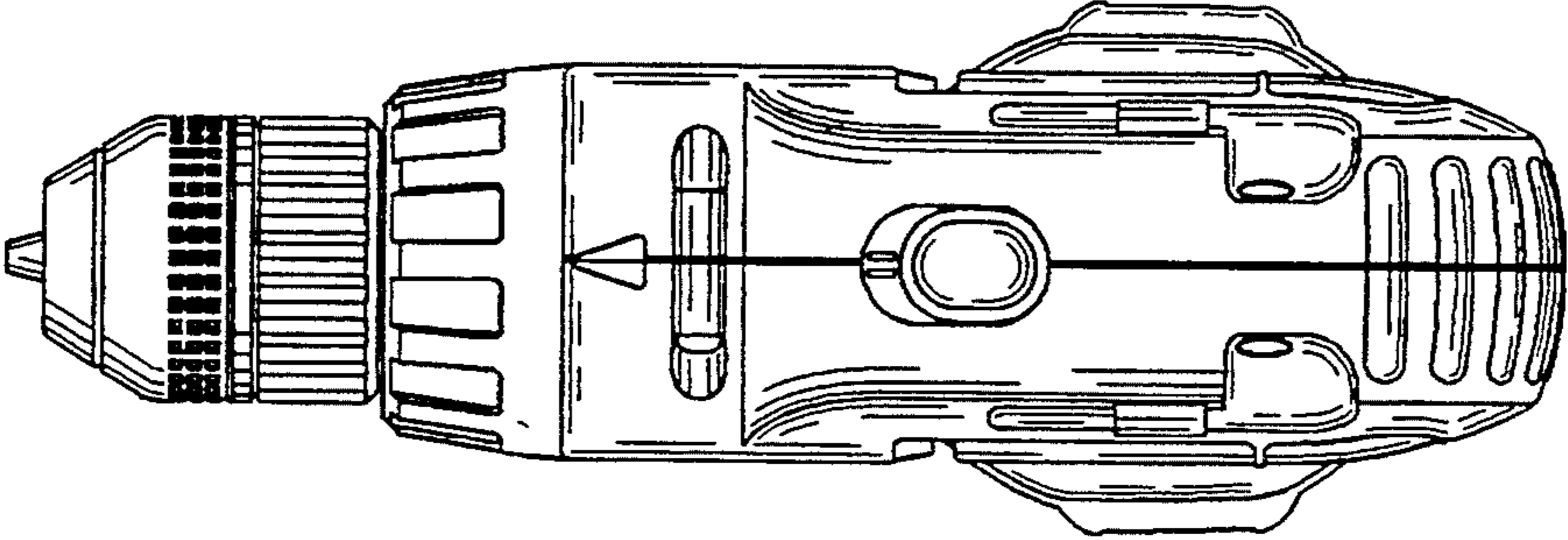


FIG. 6

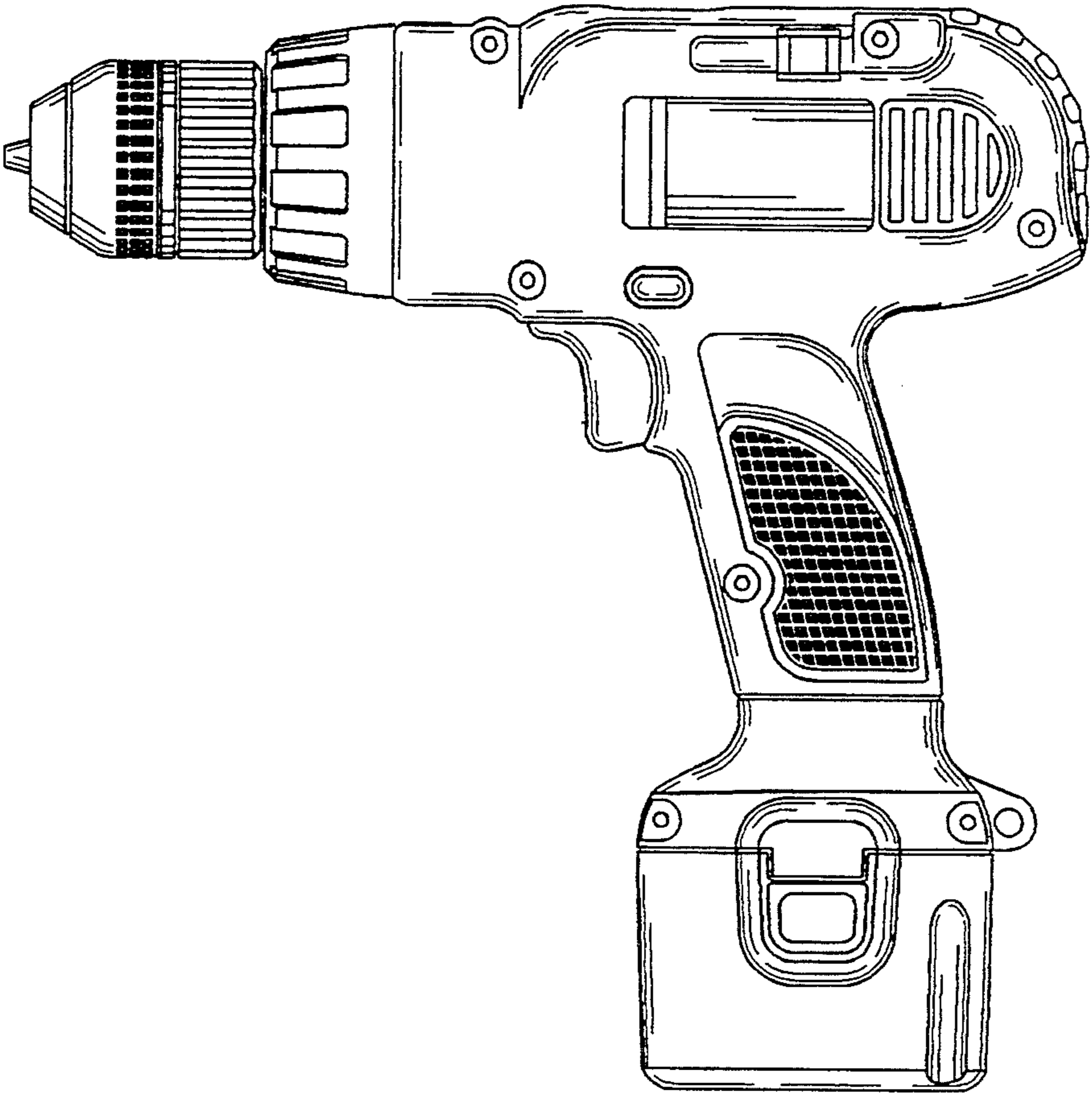


FIG. 8

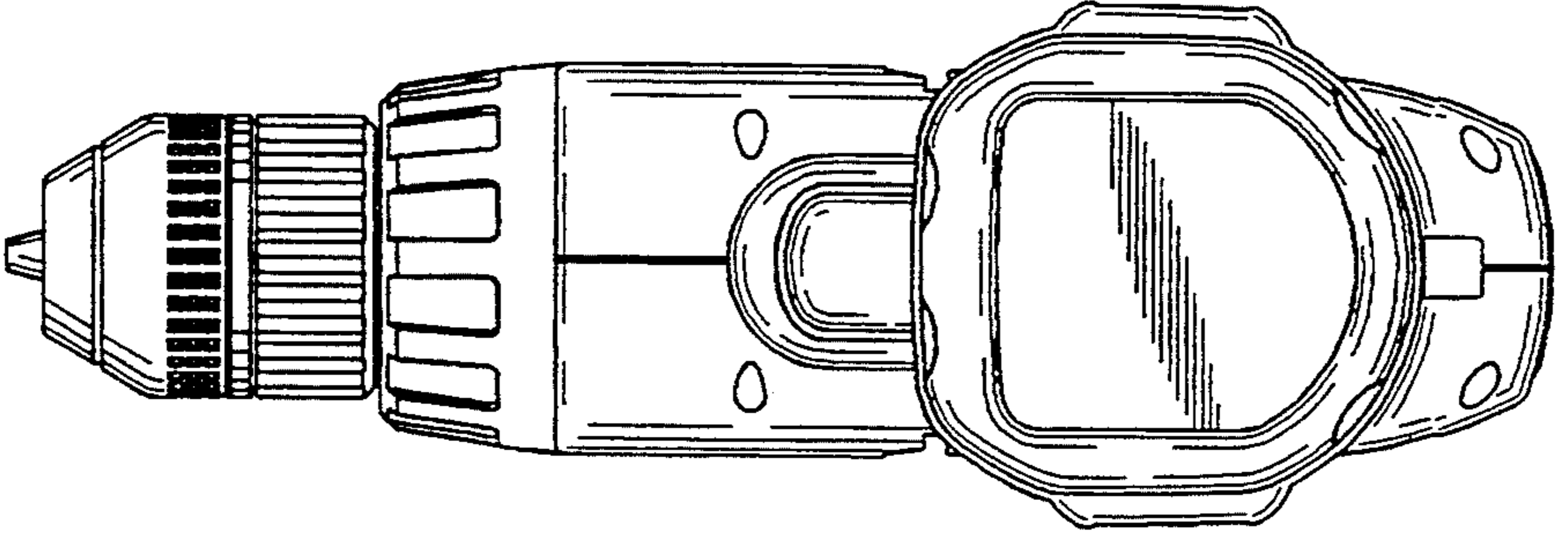


FIG. 9

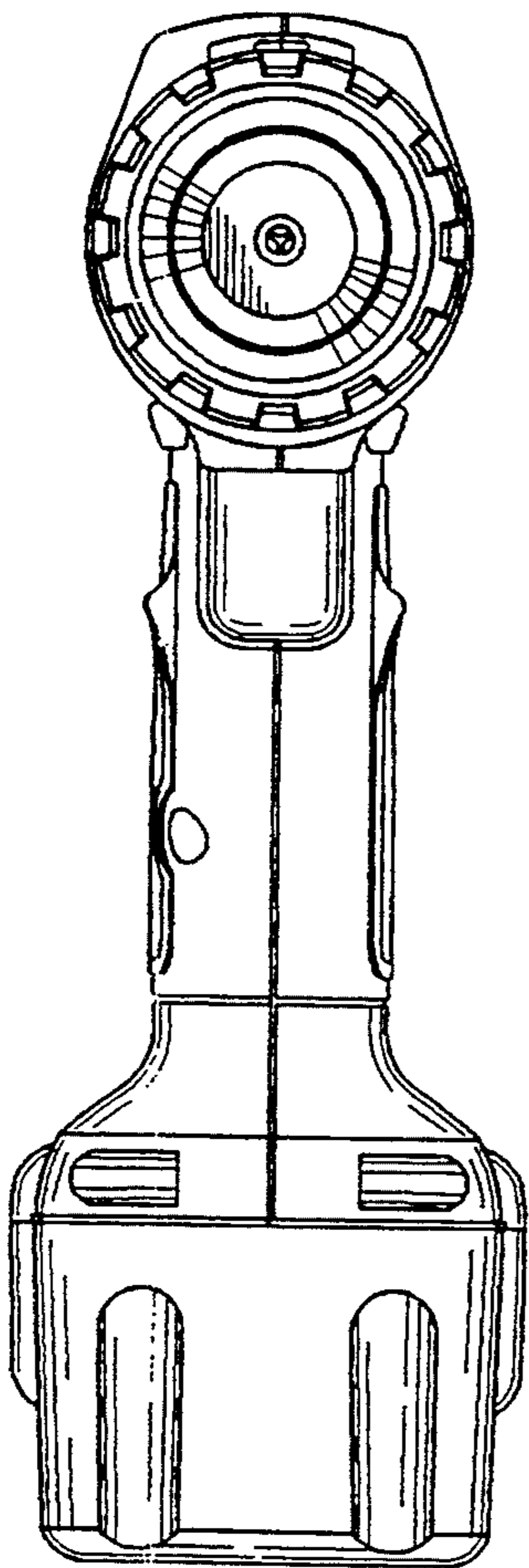


FIG. 10

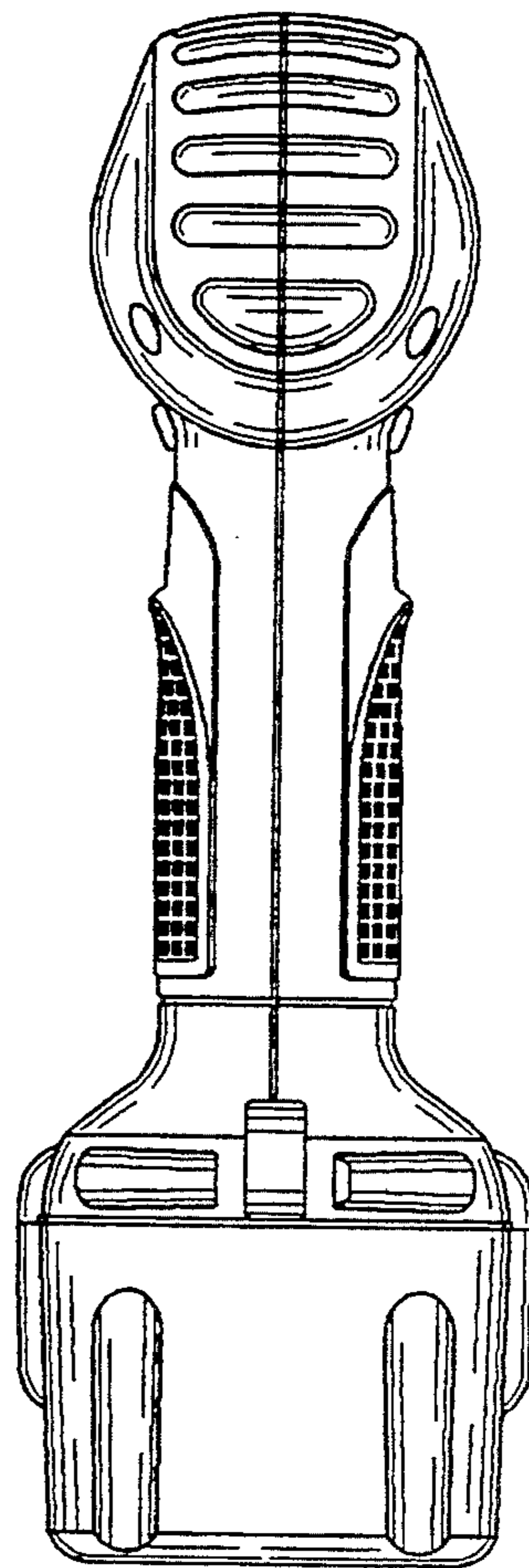


FIG. 12

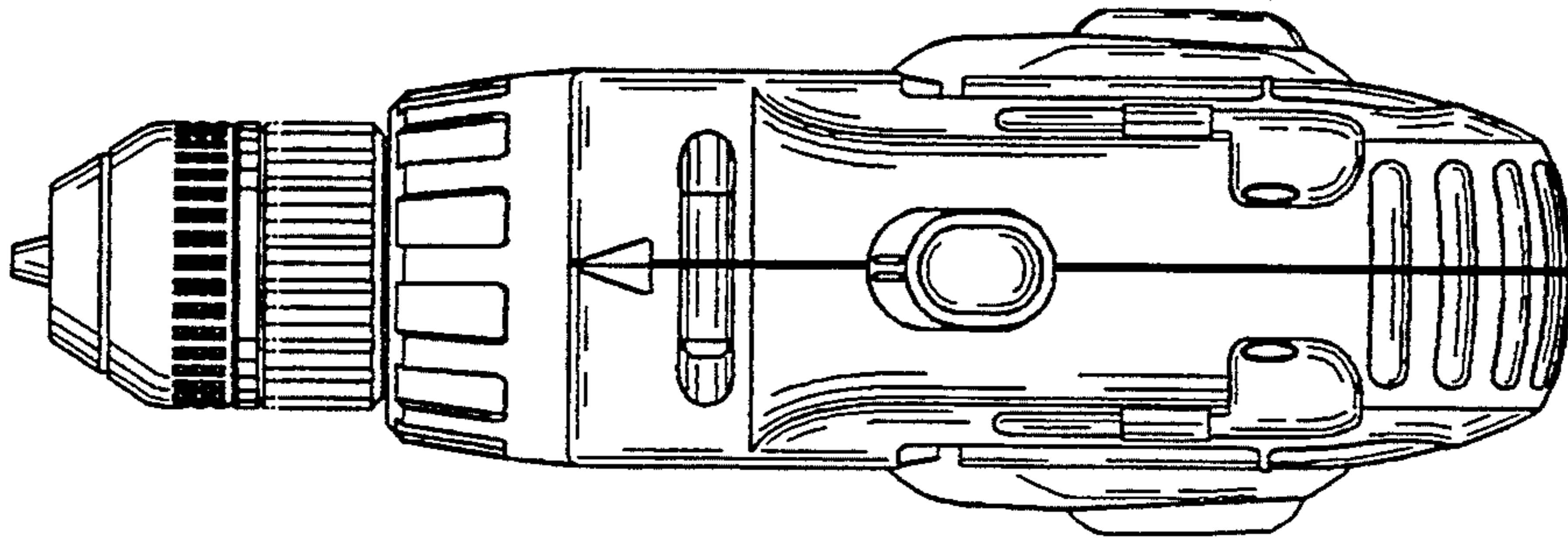


FIG. 11

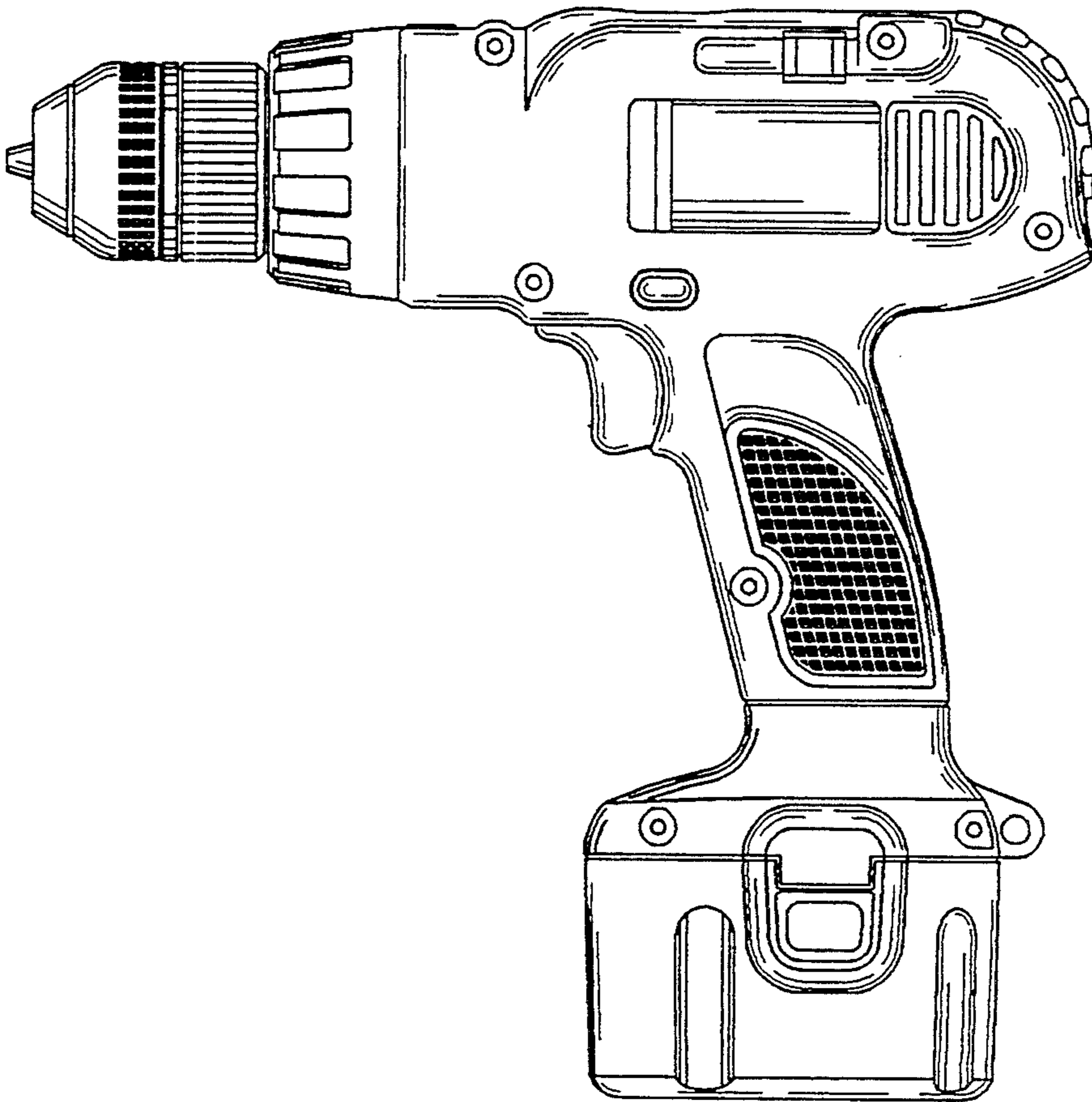


FIG. 13

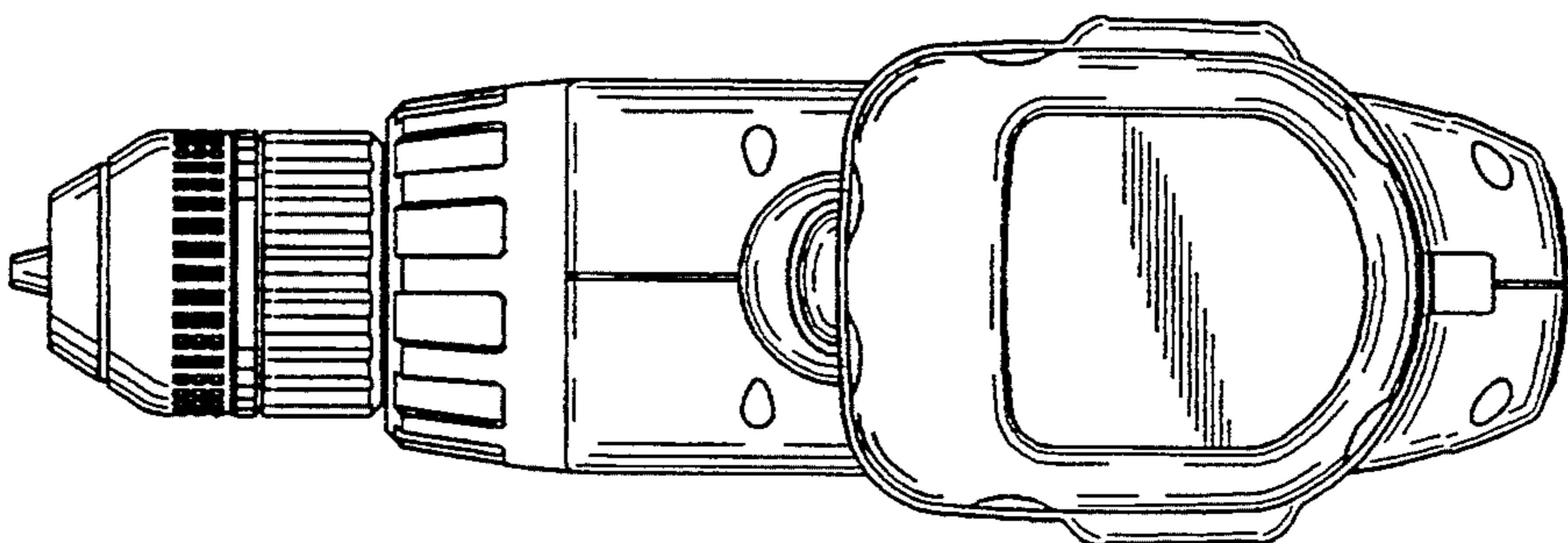


FIG. 14

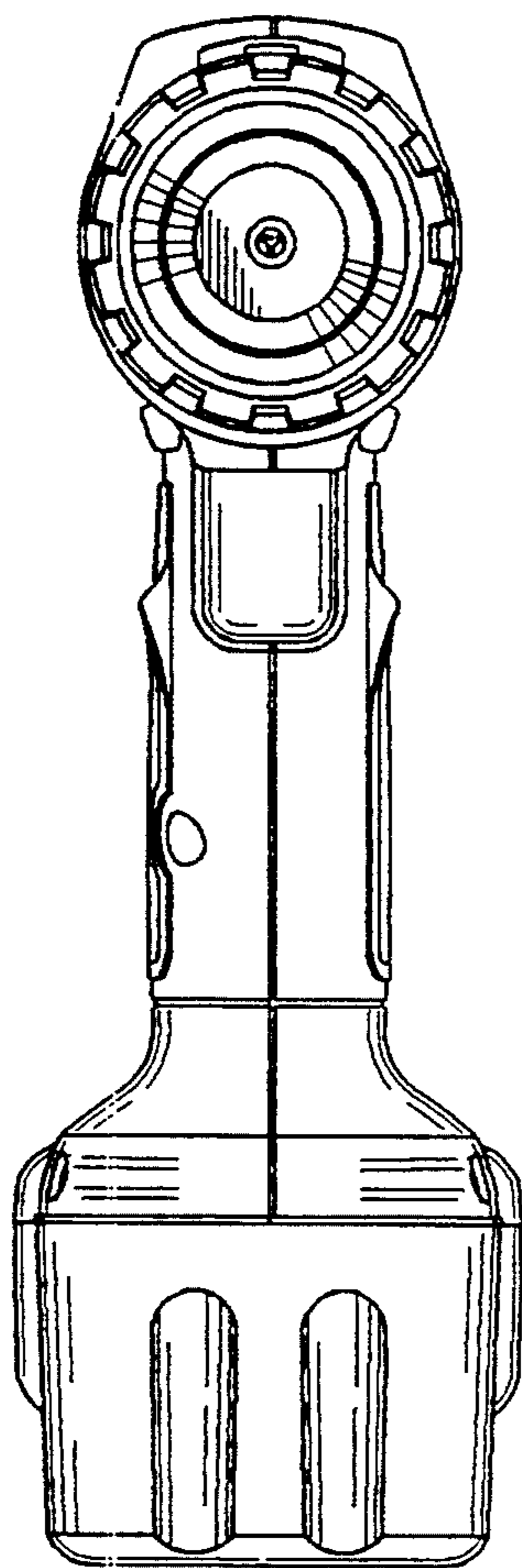


FIG. 15

