



US00D362166S

United States Patent [19]

[11] Patent Number: **Des. 362,166**

Wall

[45] Date of Patent: **** Sep. 12, 1995**

[54] **STRUT SPRING COMPRESSOR**

4,732,365	3/1988	Kloster	254/10.5
4,813,118	3/1989	Schmack	254/10.5
4,930,751	6/1990	Hutchins	254/10.5
5,172,889	12/1992	Post et al.	254/10.5

[76] Inventor: **Ronald C. Wall**, 1102 Rhett Dr.,
Mobile, Ala. 36608

[**] Term: **14 Years**

Primary Examiner—Terry A. Wallace
Assistant Examiner—Philip Hyder
Attorney, Agent, or Firm—Richard C. Litman

[21] Appl. No.: **23,990**

[22] Filed: **Jun. 6, 1994**

[57] **CLAIM**

[52] U.S. Cl. **D8/51**

The ornamental design for a strut spring compressor, as shown and described.

[58] Field of Search D8/51, 14, 106;
254/10.5; 29/215, 218, 259

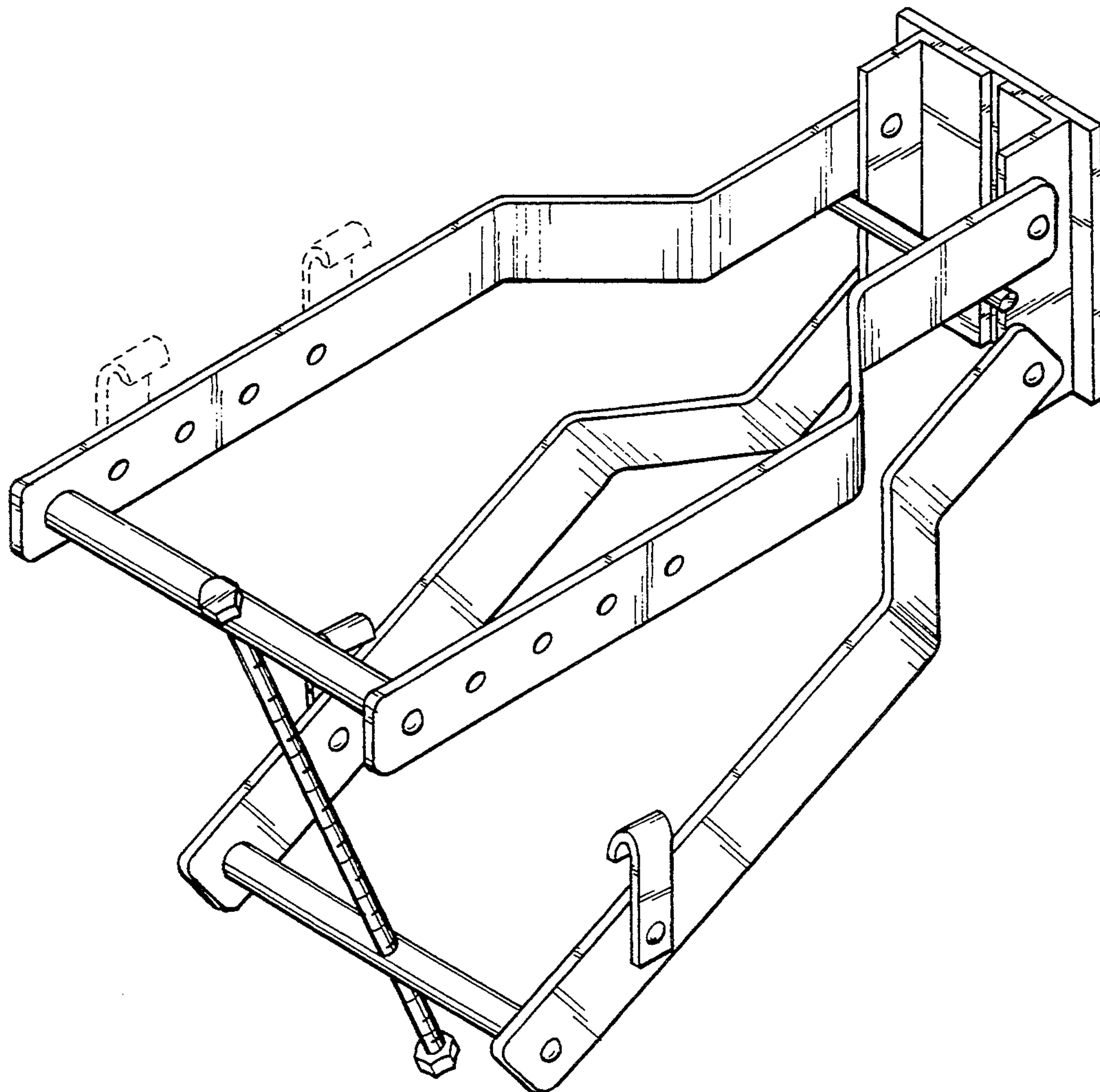
DESCRIPTION

[56] **References Cited**

FIG. 1 is a front perspective view of a strut spring compressor showing my new design; FIG. 2 is a front elevational view thereof; FIG. 3 is a rear elevational view thereof; FIG. 4 is a top view thereof; FIG. 5 is a right side elevational view thereof, with the left side being a mirror image; and, FIG. 6 is a bottom view thereof. The broken line portions of FIG. 1 are for illustrative purposes only and form no part of the claimed design.

U.S. PATENT DOCUMENTS

D. 238,507	1/1976	Heen	D8/51
D. 288,655	3/1987	Hamatani	D8/51
1,429,024	9/1922	Douglass	254/10.5
3,764,107	10/1973	Mlynarczyk	254/10.5
3,912,224	10/1975	Castoe	254/10.5
3,946,987	3/1976	Shultz	254/10.5
3,982,730	9/1976	Otsuka	29/218
4,061,308	12/1977	Ghent	254/10.5



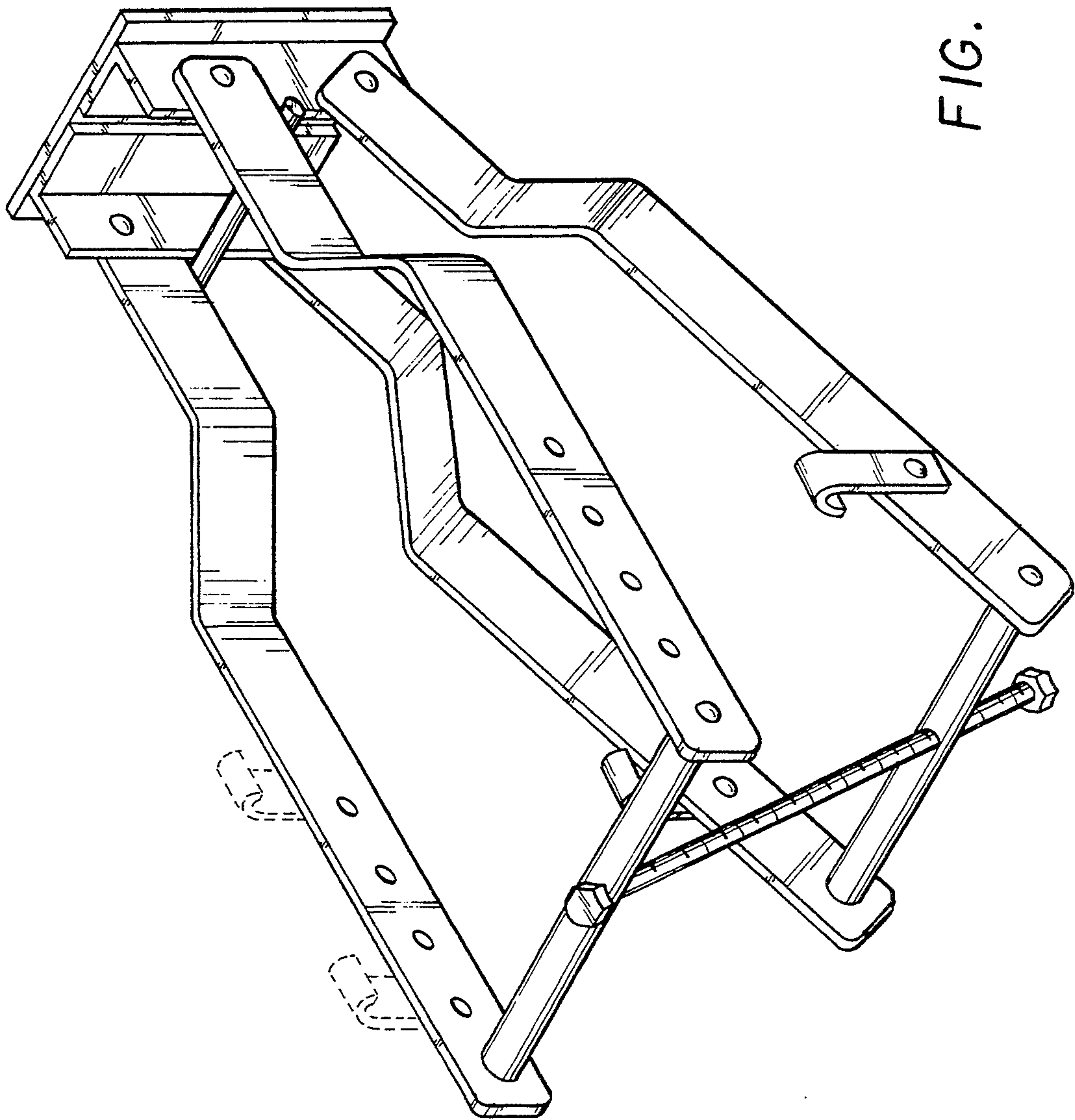


FIG. 1

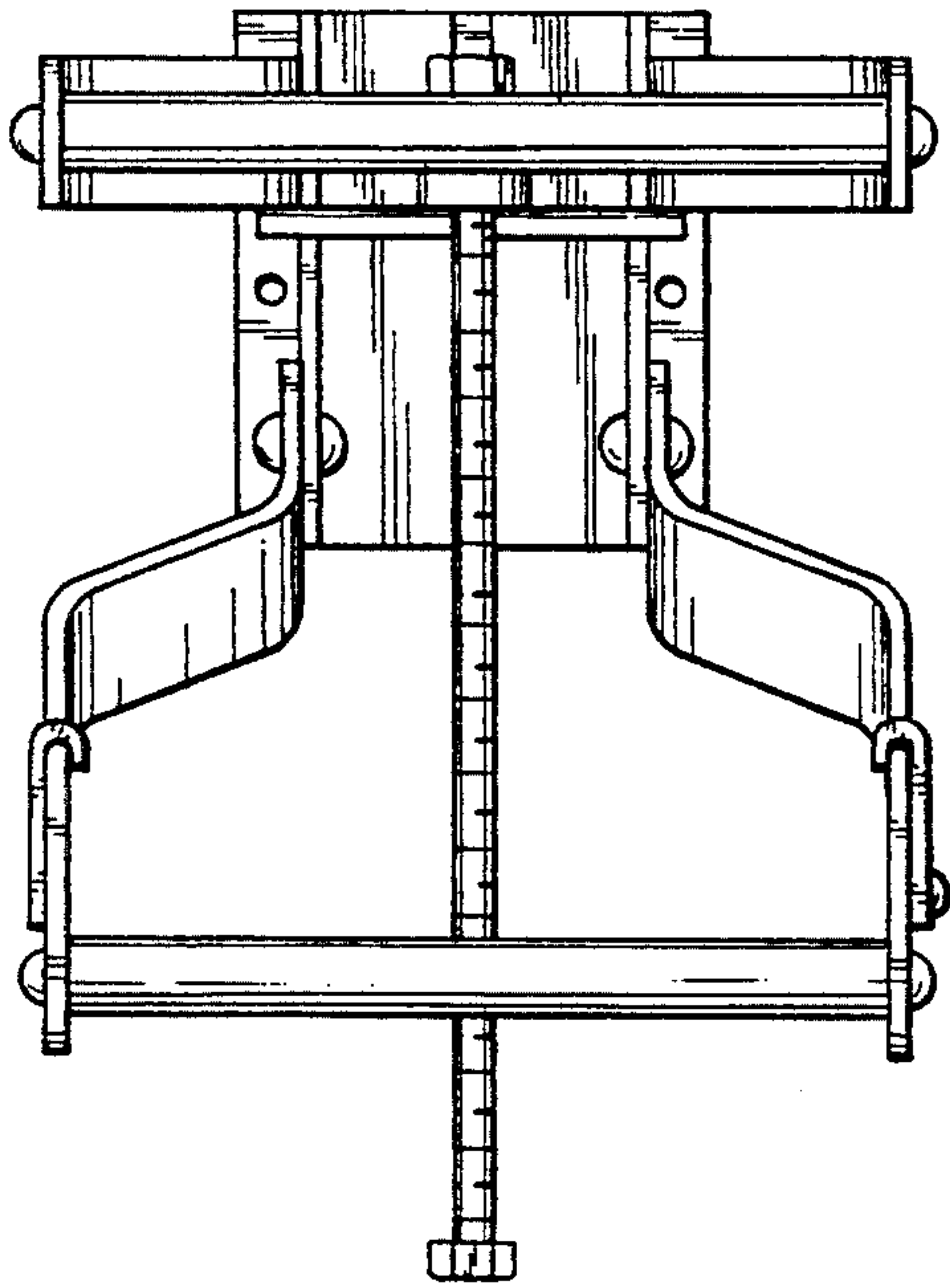


FIG. 2

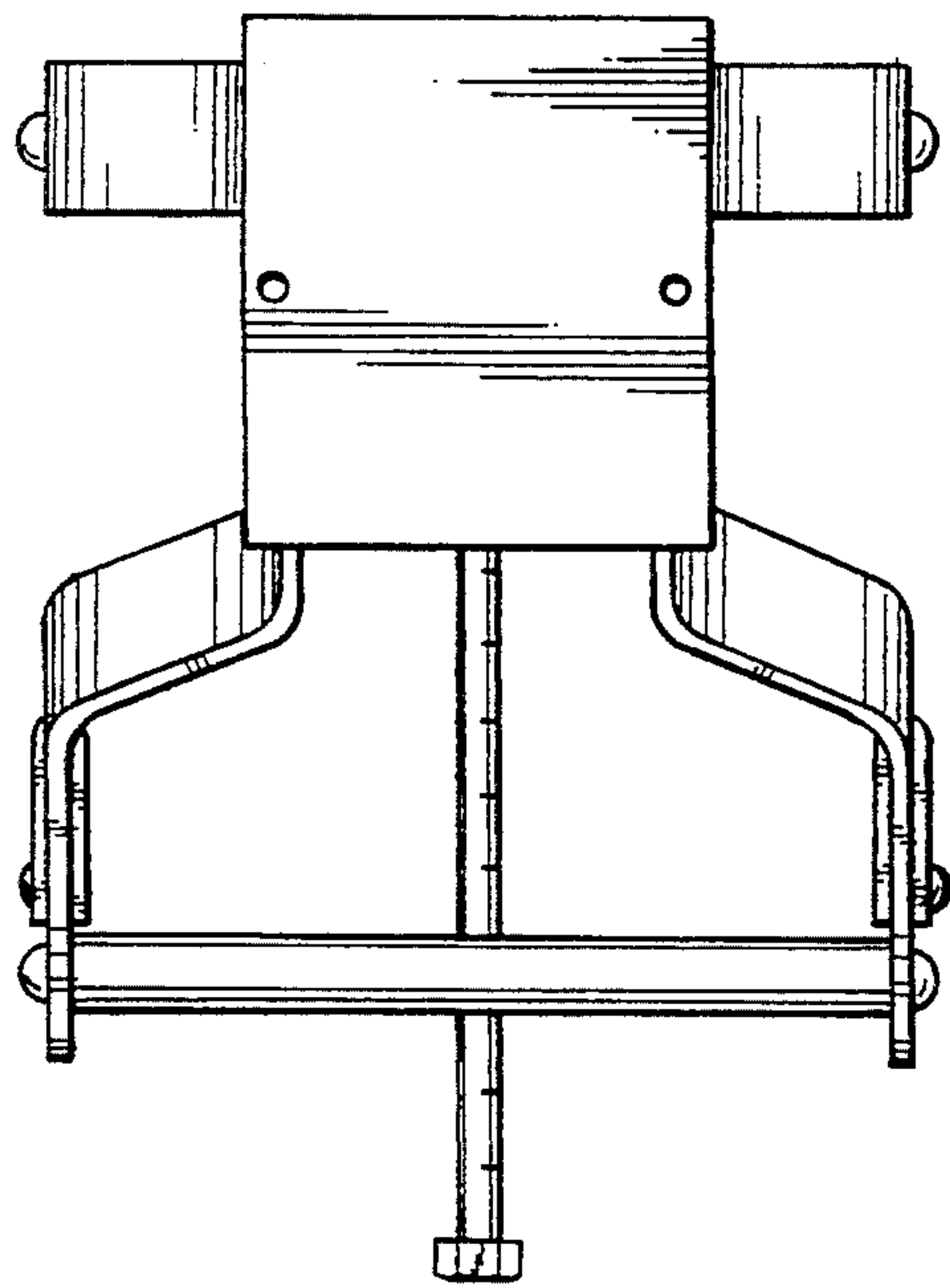


FIG. 3

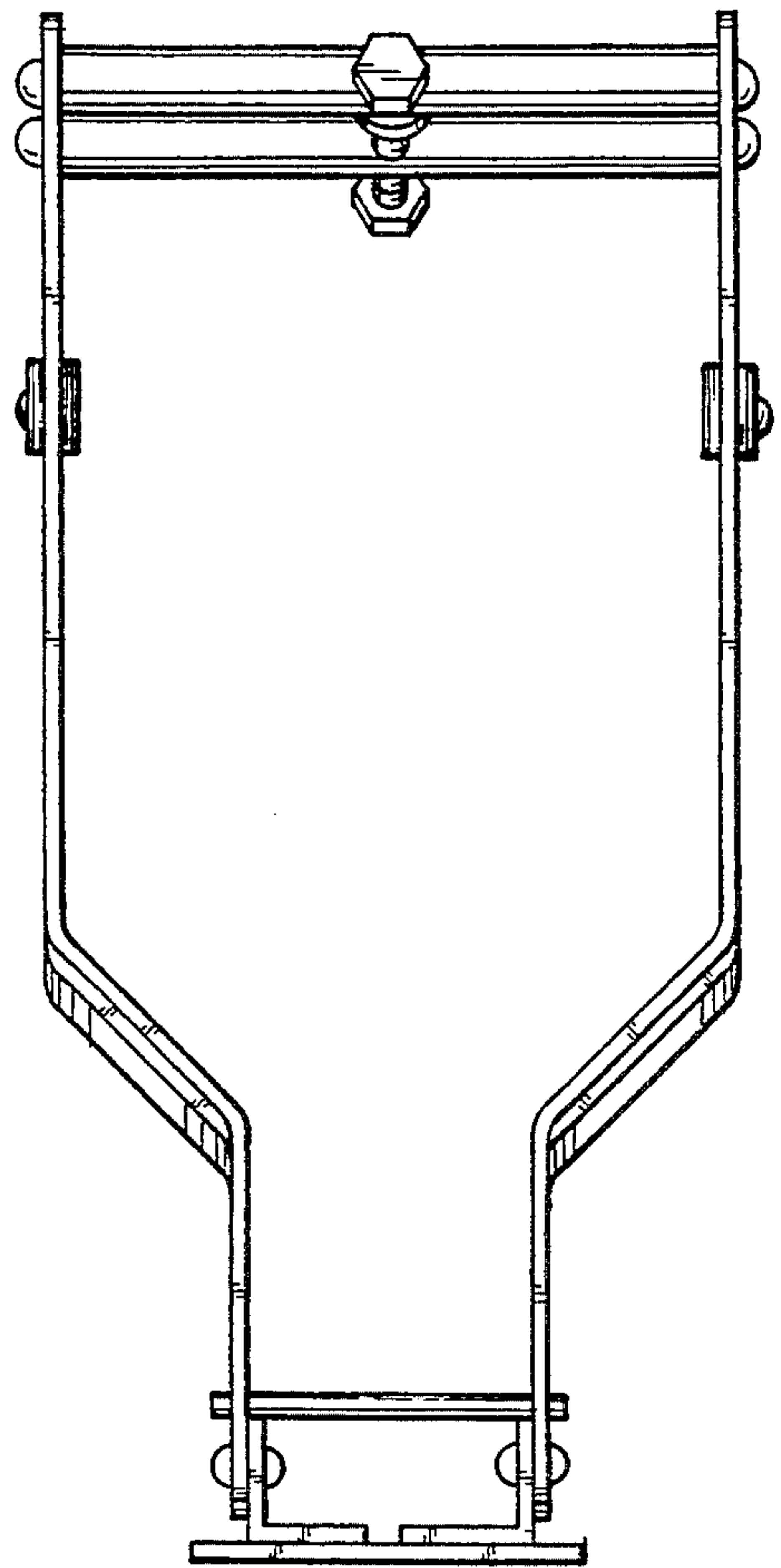


FIG. 4

