



US00D362165S

# United States Patent [19]

Wheeler

[11] Patent Number: **Des. 362,165**

[45] Date of Patent: **\*\* Sep. 12, 1995**

[54] **HAND-HELD ELECTRIC CAN OPENER**

3,059,333 10/1962 Landry ..... 30/426  
5,022,159 5/1991 Cressman et al. .... 30/418

[76] Inventor: **Douglas Wheeler**, 919 Carlos Dr., Ft. Walton Beach, Fla. 32547

[\*\*] Term: **14 Years**

[21] Appl. No.: **18,823**

[22] Filed: **Feb. 16, 1994**

[52] U.S. Cl. .... **D8/36; D8/39**

[58] Field of Search ..... **D8/18, 33-39, D8/40, 41, 42, 43; 7/151, 152; 30/400, 419, 426, 416**

### OTHER PUBLICATIONS

Schöner Wohnen, Oct. 1981 p. 233.

*Primary Examiner*—Theodore M. Shooman

*Assistant Examiner*—Adir Aronovich

*Attorney, Agent, or Firm*—Terry M. Gernstein

### [57] CLAIM

The ornamental design for a hand-held electric can opener, as shown and described.

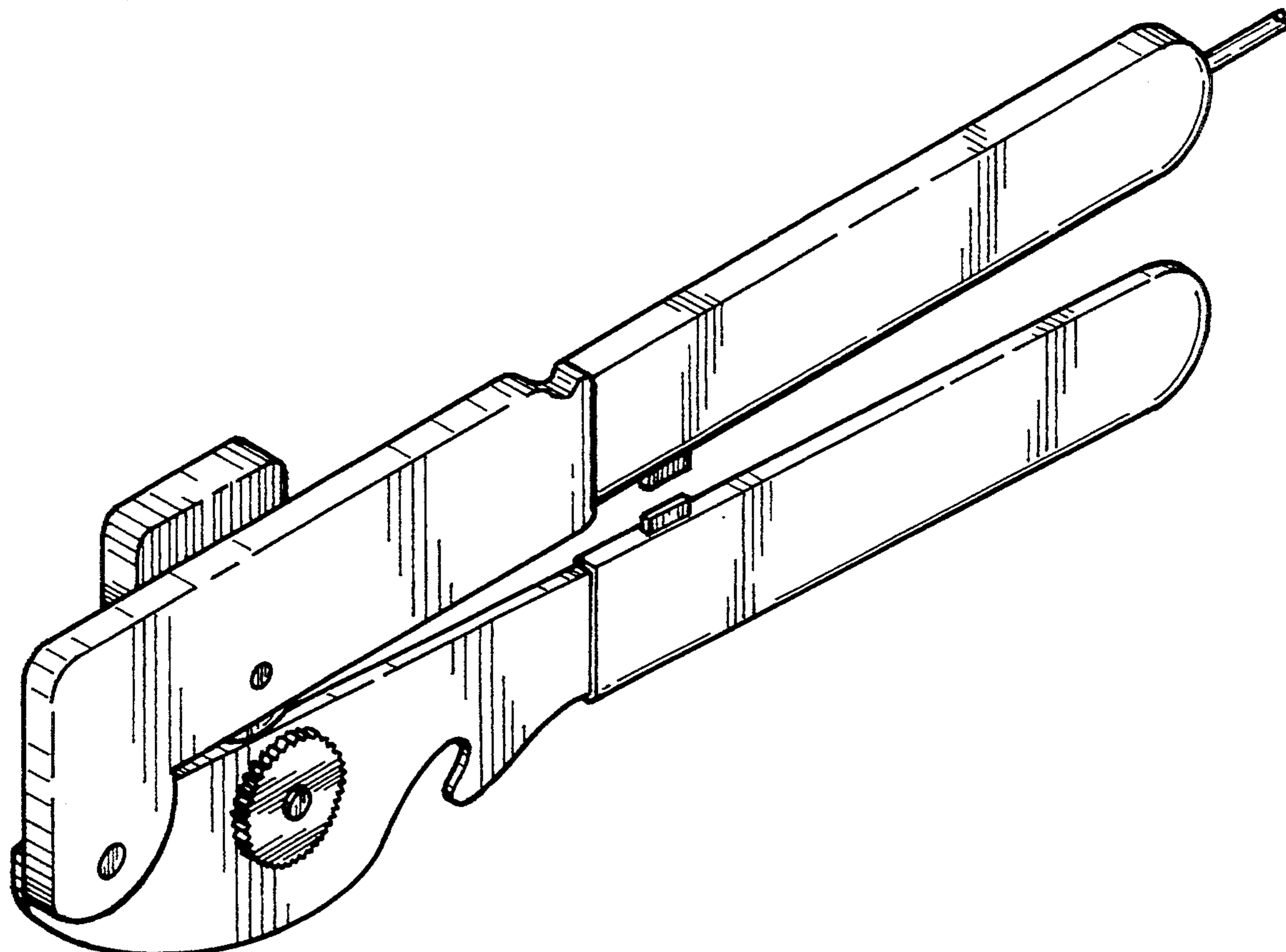
### DESCRIPTION

FIG. 1 is a front, top and side perspective view of the hand-held electric can opener showing my new design; FIG. 2 is a front elevational view thereof; FIG. 3 is a rear elevational view thereof; FIG. 4 is a side elevational view thereof; FIG. 5 is a side elevational view opposite of that shown in FIG. 4; FIG. 6 is a top plan view thereof; and, FIG. 7 is a bottom plan view thereof.

### [56] References Cited

#### U.S. PATENT DOCUMENTS

D. 285,898	9/1986	Stowell	.....	D8/36
D. 295,139	4/1988	Ohnishi	.....	D8/41
D. 296,752	7/1988	Shimoo	.....	D8/36
D. 296,979	8/1988	Yuen	.....	D8/36
D. 301,828	6/1989	Wong	.....	D8/36
D. 304,900	12/1989	Miquelot	.....	D8/39
2,723,451	11/1955	Frank	.....	D8/39



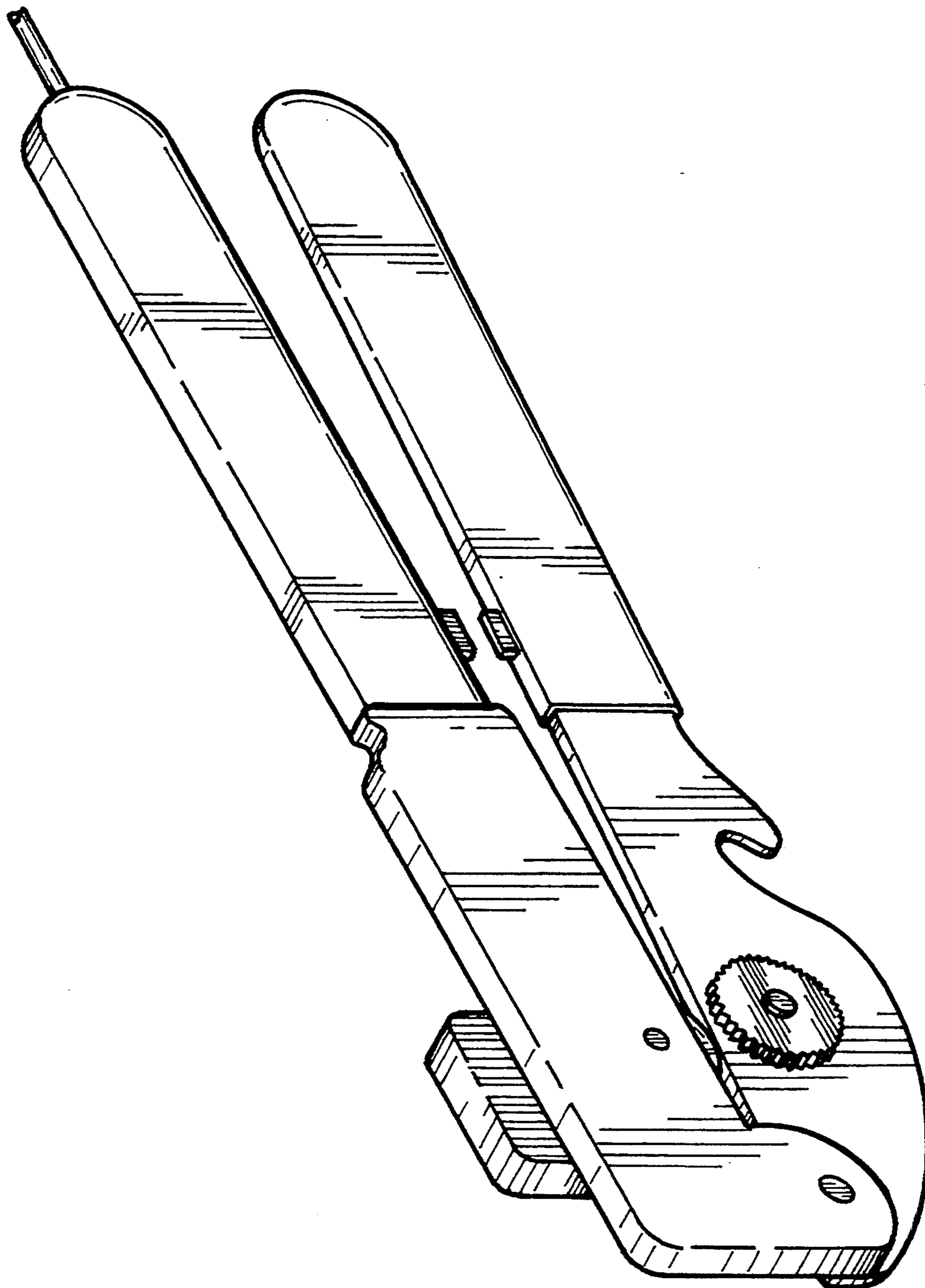


FIG. 1



FIG. 3



FIG. 2

FIG. 4

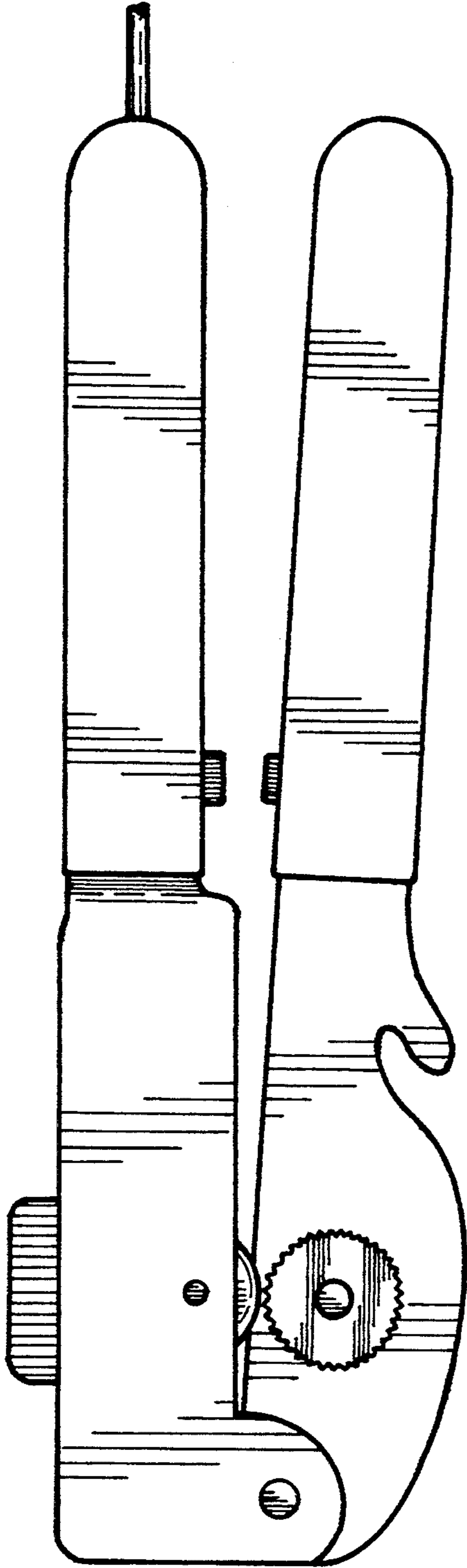


FIG. 5

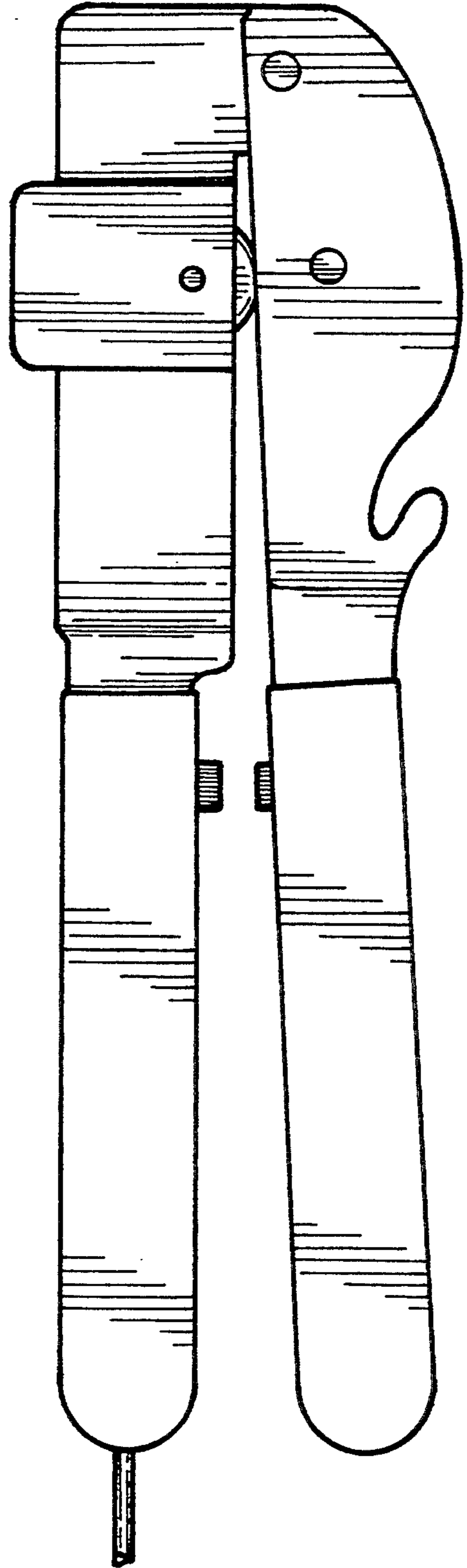




FIG. 6



FIG. 7