



US00D362155S

# United States Patent [19]

Yee

[11] Patent Number: **Des. 362,155**

[45] Date of Patent: **\*\* Sep. 12, 1995**

[54] **ELONGATED COOKING UTENSIL**

3,412,674 11/1968 Ruth ..... 99/425 X

[76] Inventor: **Norman D. Yee, 955 14th Ave., Honolulu, Hi. 96816**

### FOREIGN PATENT DOCUMENTS

81/00028 9/1981 WIPO .

[\*\*] Term: **14 Years**

*Primary Examiner*—Alan P. Douglas  
*Assistant Examiner*—Caron D. Veynar  
*Attorney, Agent, or Firm*—Richard C. Litman

[21] Appl. No.: **9,204**

[22] Filed: **Jun. 8, 1993**

### [57] CLAIM

[52] U.S. Cl. .... **D7/361**

[58] Field of Search ..... D7/354, 356, 357, 361; 99/339, 376, 425, 442, 445; 16/110 A; 220/912

The ornamental design for an elongated cooking utensil, as shown and described.

### DESCRIPTION

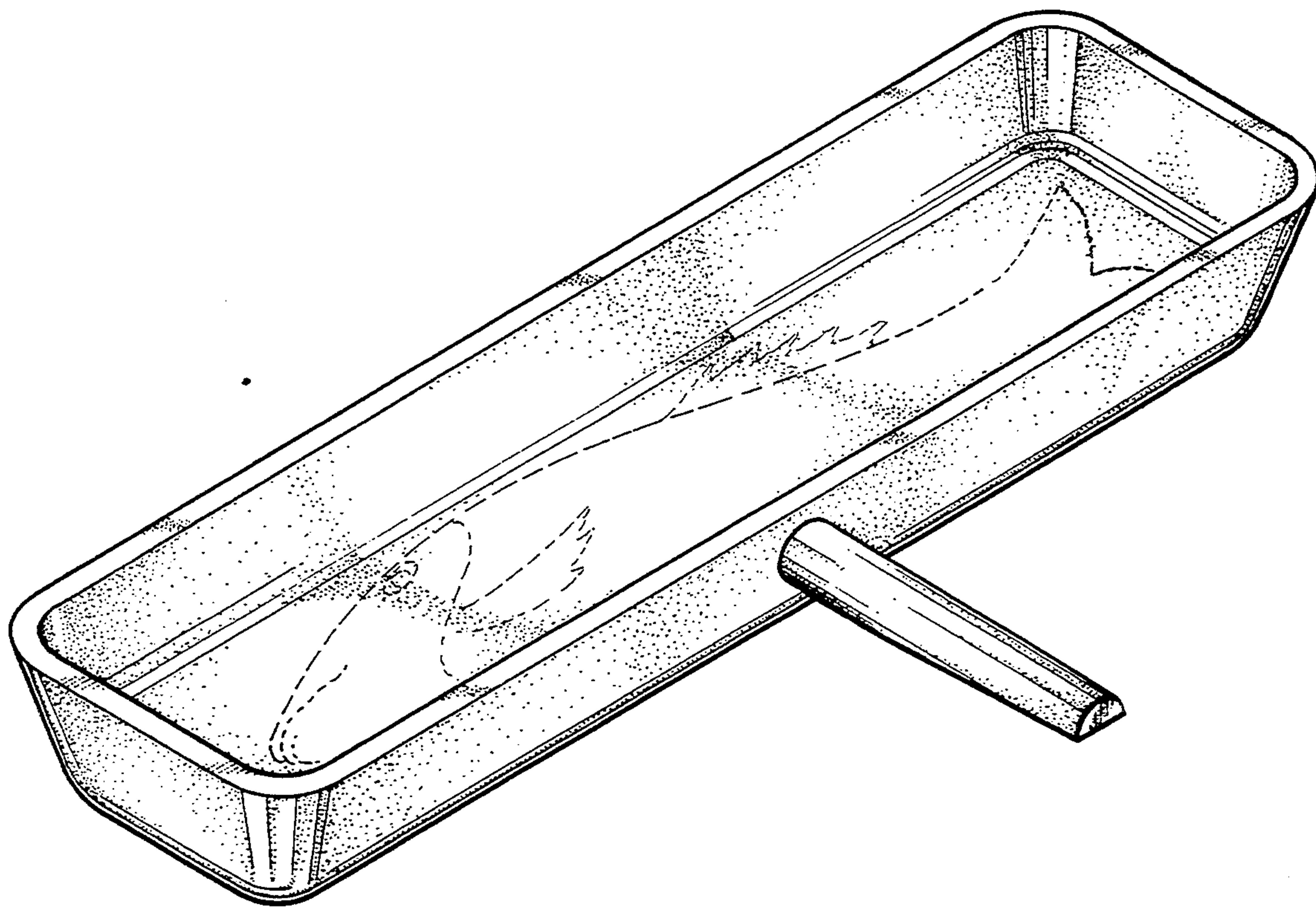
### [56] References Cited

#### U.S. PATENT DOCUMENTS

78 11/1836	Sizer	99/339
D. 153,378	4/1949 Ovenshire	D7/363
D. 159,803	3/1950 Ulmer	D7/357
D. 160,132	9/1950 Stephen	D7/361
D. 178,084	6/1956 Reed et al.	D7/359
D. 182,673	4/1958 Latham	D7/359
1,308,151	7/1919 Vogel	99/422
2,432,792	12/1947 Ovenshire	99/422 X

FIG. 1 is a perspective view of an elongated cooking utensil showing my new design; FIG. 2 is a top plan view thereof; FIG. 3 is a rear elevational view; FIG. 4 is a front elevational view thereof; FIG. 5 is a right side elevational view with the left side being a mirror image thereof; and, FIG. 6 is a bottom view thereof.

The broken line showing of the fish is for illustrative purposes only and forms no part of the claimed design.



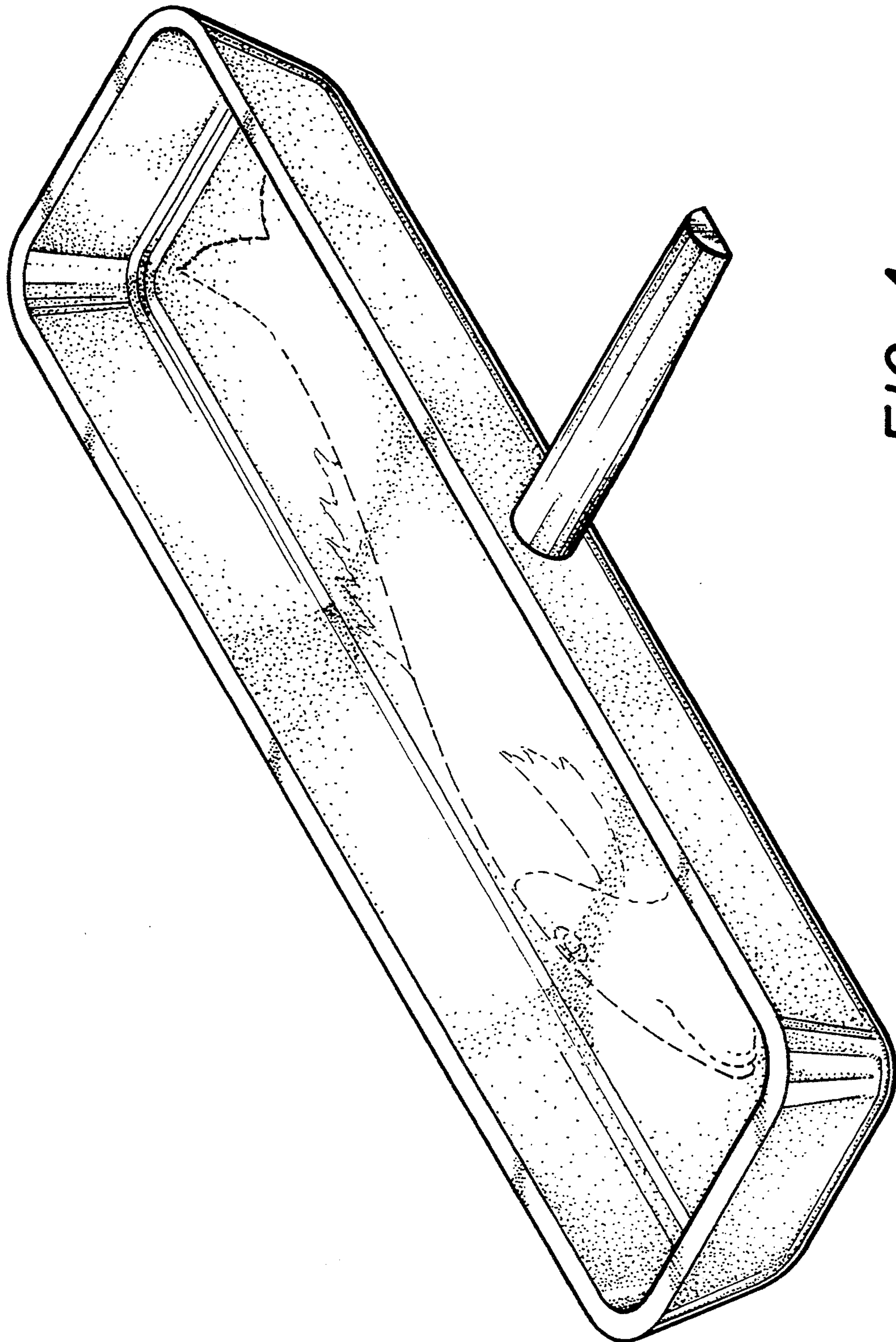


FIG. 1



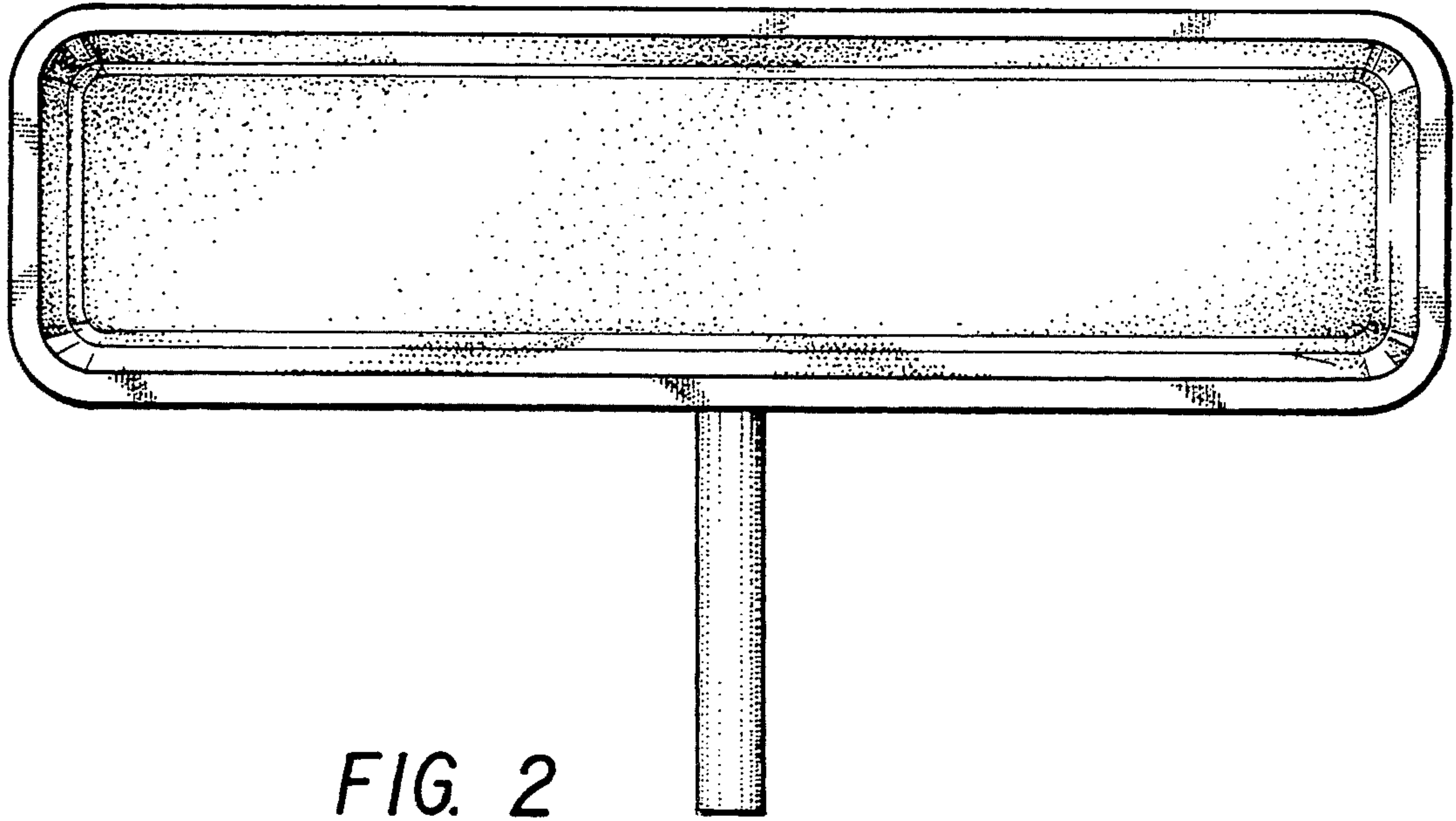


FIG. 2



FIG. 3

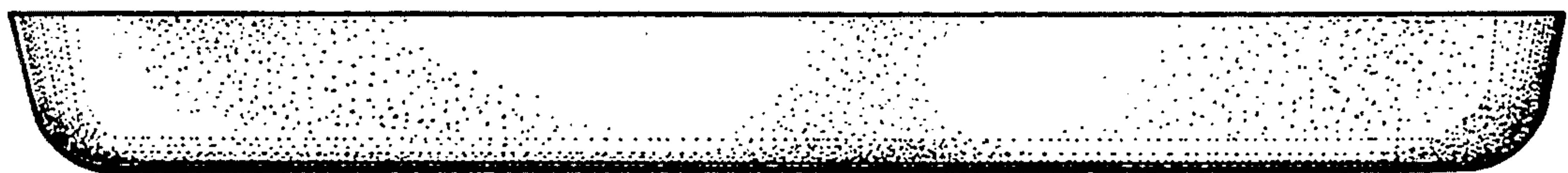


FIG. 4

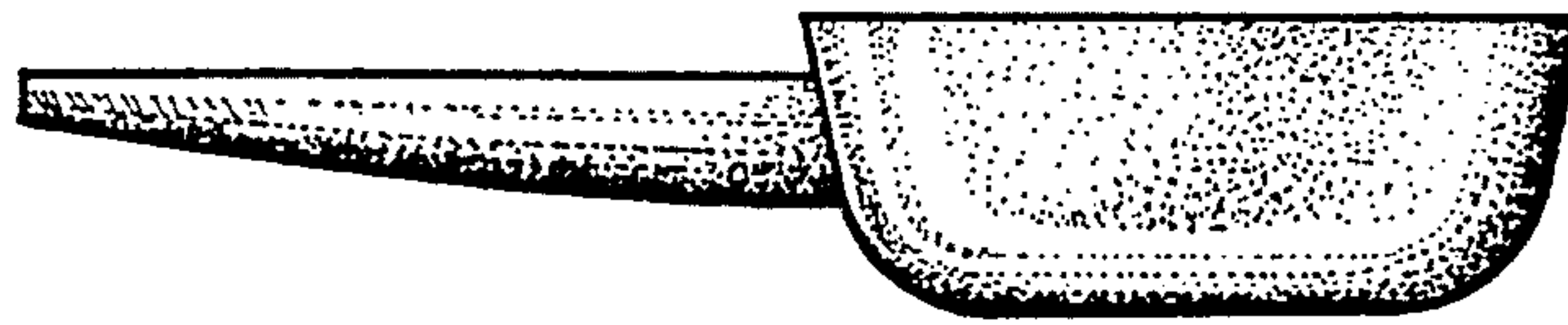


FIG. 5

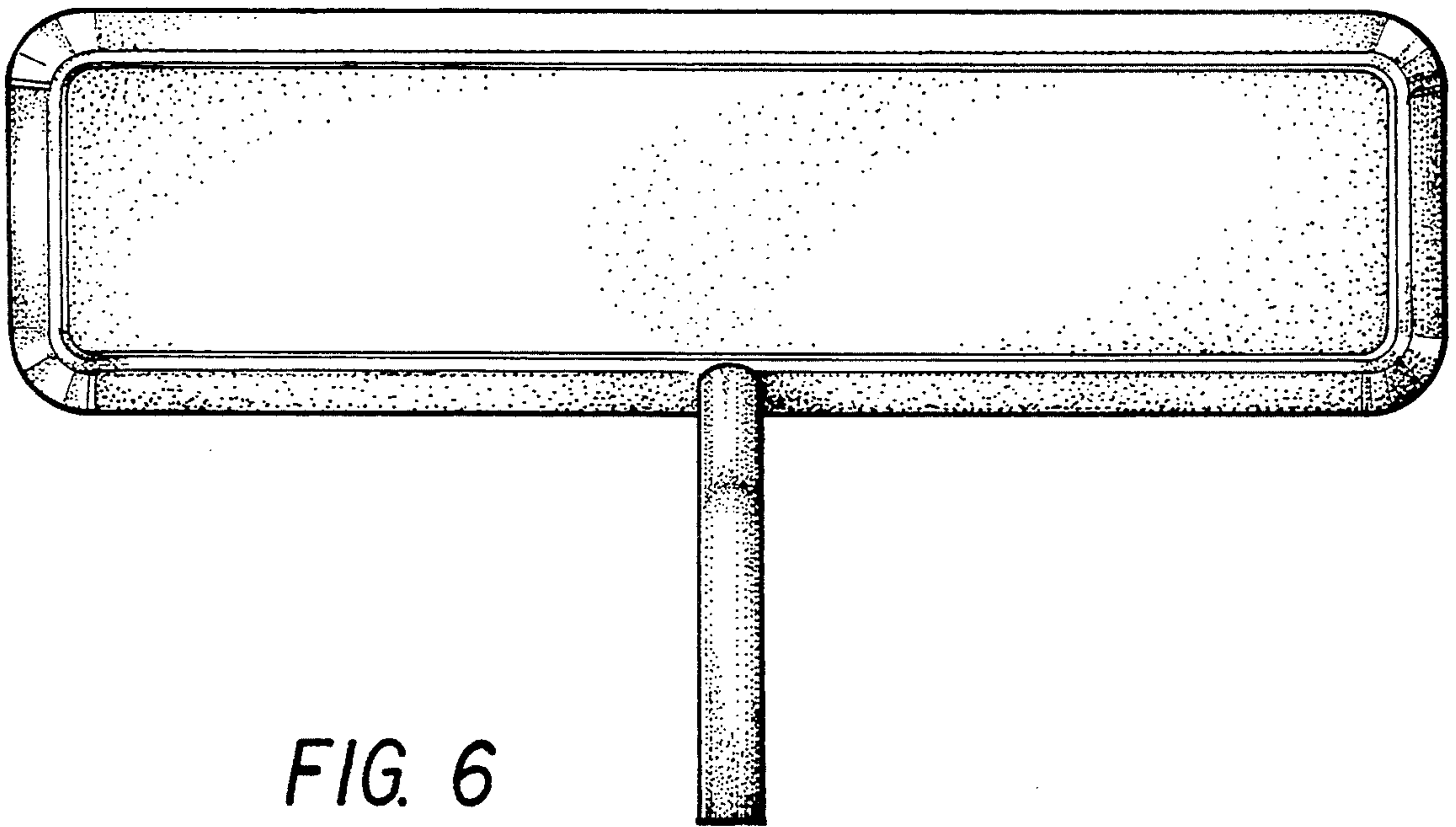


FIG. 6