



US00D362153S

United States Patent [19]

[11] Patent Number: **Des. 362,153**

Home

[45] Date of Patent: **** Sep. 12, 1995**

[54] **GAS BURNER FOR OUTDOOR BARBECUE**

[76] Inventor: **William Home**, 9th Fl.-3, No. 374,
Sec. 2, Pa Teh Rd., Taipei, Taiwan

[**] Term: **14 Years**

[21] Appl. No.: **17,050**

[22] Filed: **Jan. 5, 1994**

[52] U.S. Cl. **D7/334**

[58] Field of Search **D7/332, 334-337,
D7/338, 339, 402, 403; 126/25 R, 25 A, 25 AA,
29-30, 9 R, 9 B, 38, 39 E, 39 H, 40, 39 B;
99/450, 449**

5,033,449 7/1991 Hanagan 126/25 A
5,088,470 2/1992 Janies, Jr. et al. 126/25 R
5,163,358 11/1992 Hanagan et al. 126/25 R
5,341,793 8/1994 Brown 126/276

Primary Examiner—Ruth McInroy
Attorney, Agent, or Firm—Calvin B. Ward

[57] CLAIM

The ornamental design for a gas burner for outdoor barbecue, as shown.

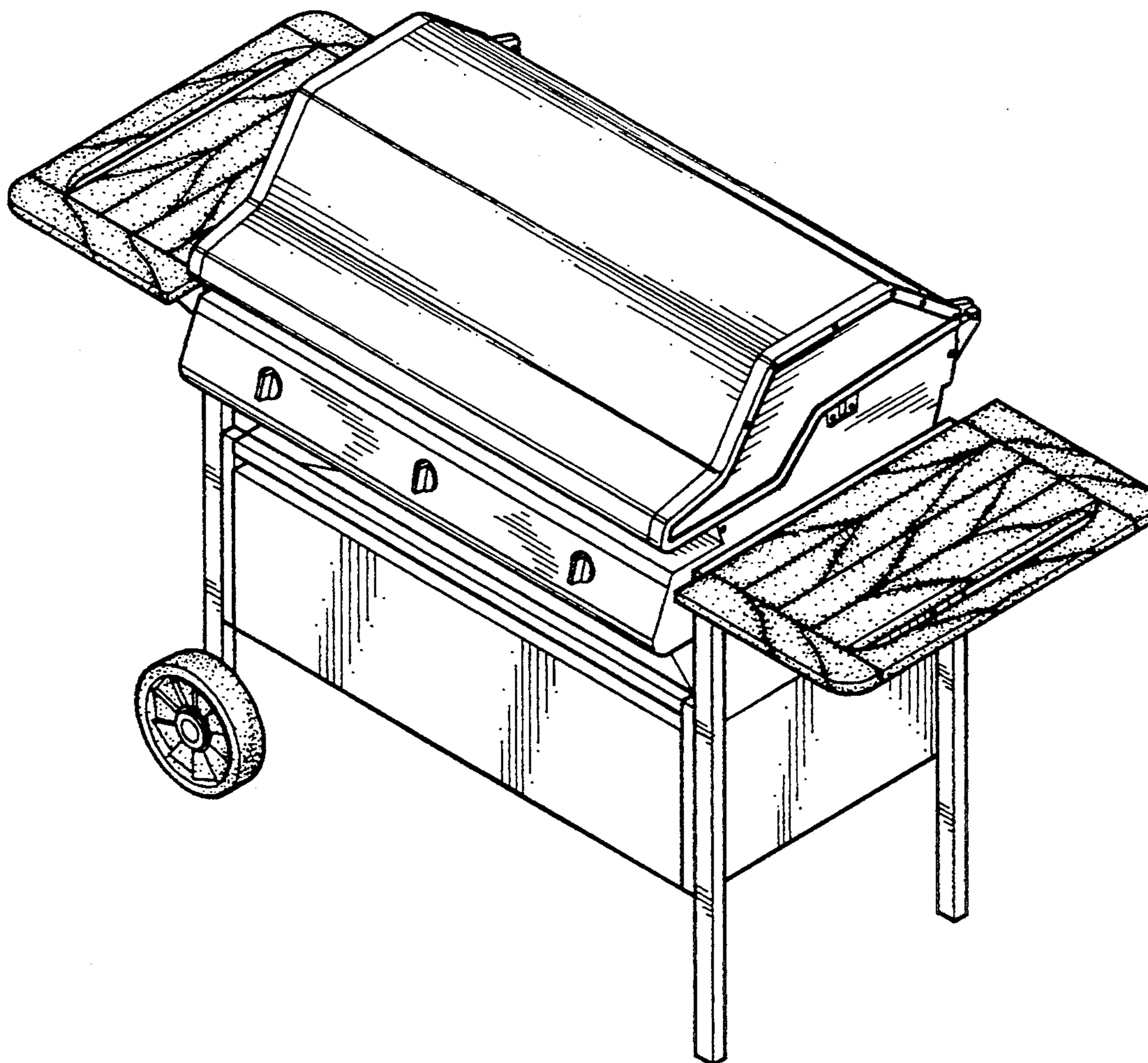
DESCRIPTION

FIG. 1 is a front-right-top perspective view of a gas burner for outdoor barbecue, showing my new design; FIG. 2 is a front view thereof; FIG. 3 is a rear view thereof; FIG. 4 is a left side view thereof; FIG. 5 is a right side view thereof; FIG. 6 is a top view thereof; FIG. 7 is a bottom view thereof; and, FIG. 8 is a perspective view of the gas burner for outdoor barbecue with the container door opened.

[56] References Cited

U.S. PATENT DOCUMENTS

D. 219,629 12/1970 Koziol D7/334
D. 293,067 12/1987 Stephen et al. D7/334
D. 324,622 3/1992 Baynes et al. D7/334
4,924,846 5/1990 Peacock et al. 126/268
4,955,358 9/1990 Hains et al. 126/25 R



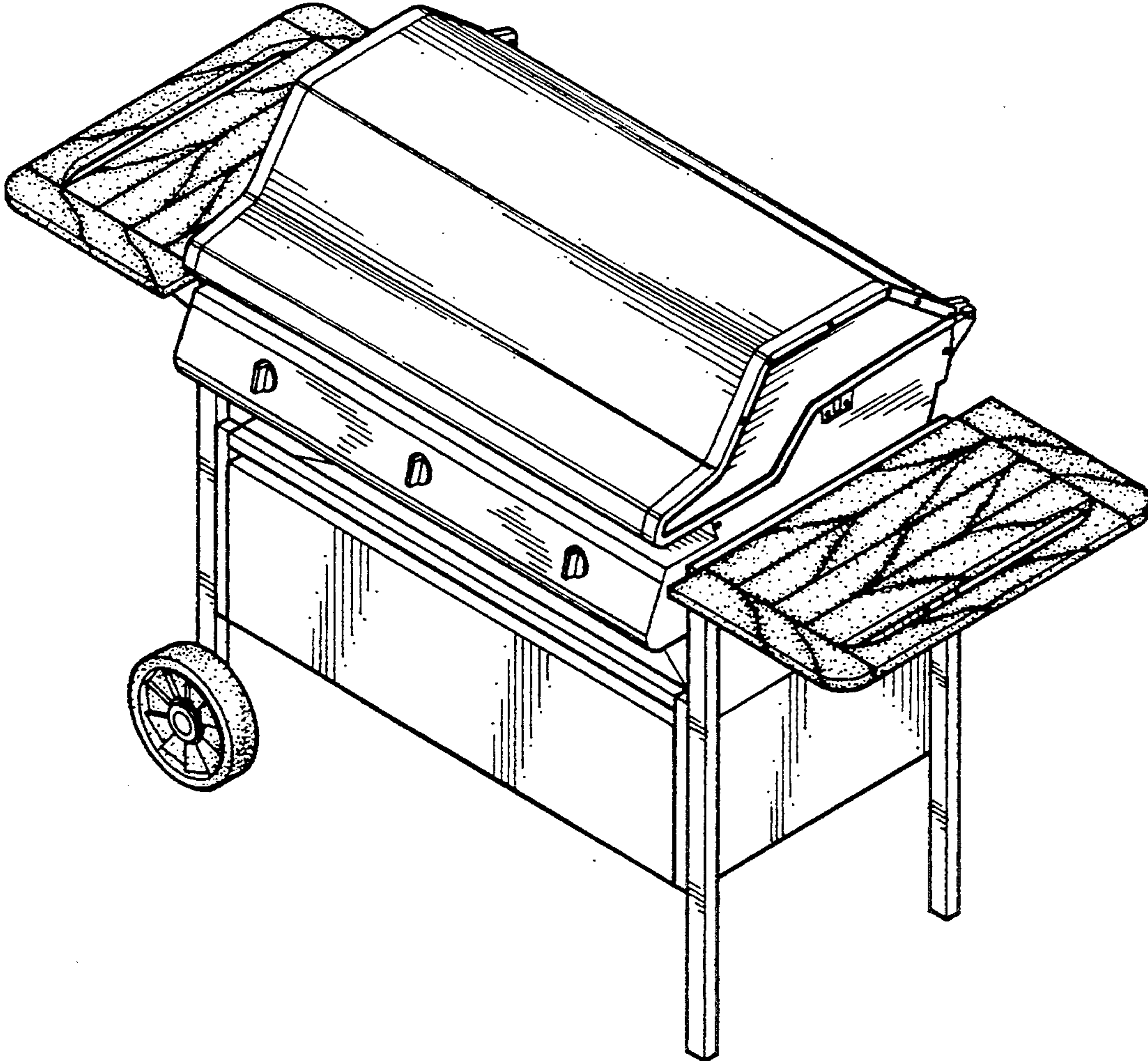


FIG. 1

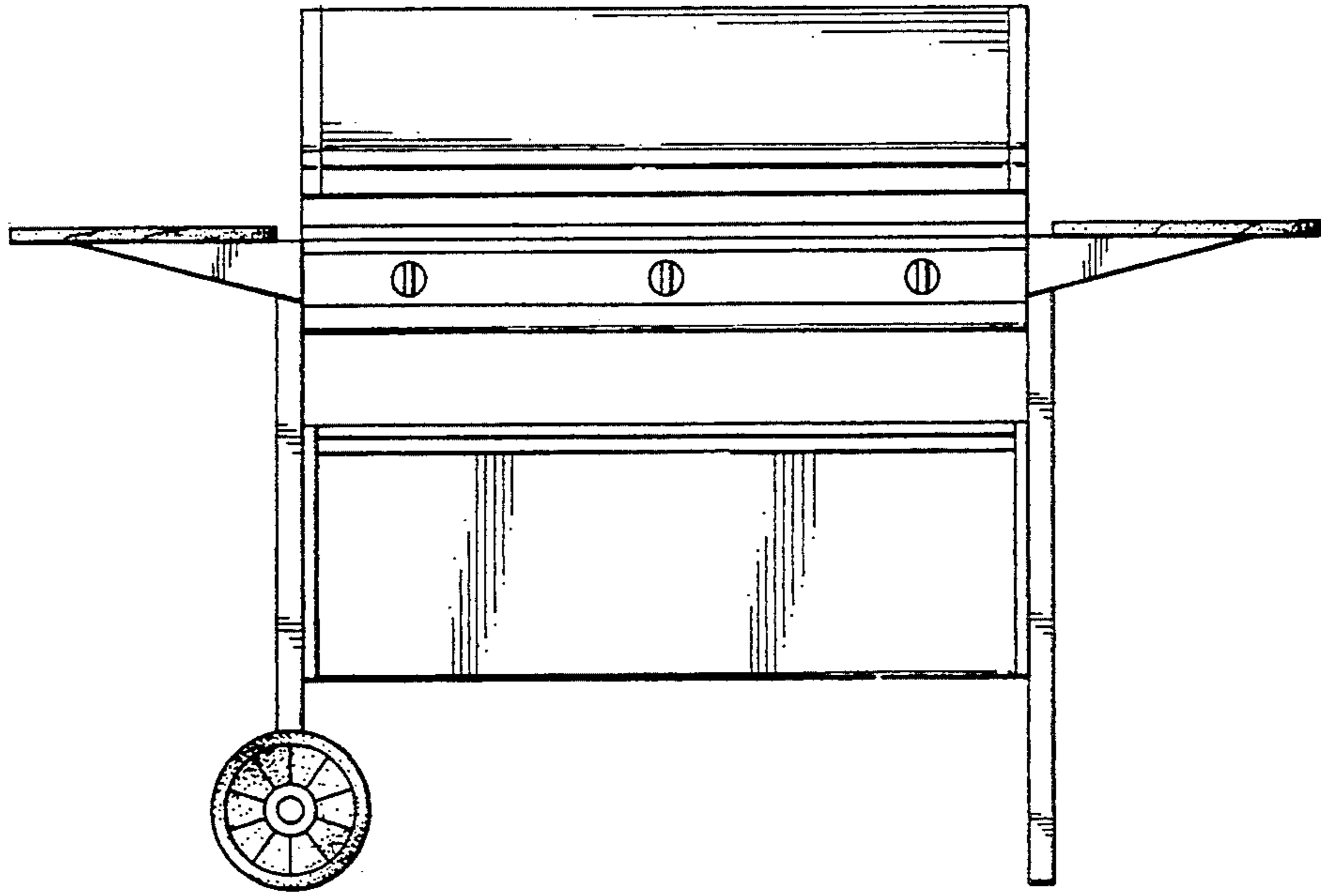


FIG. 2

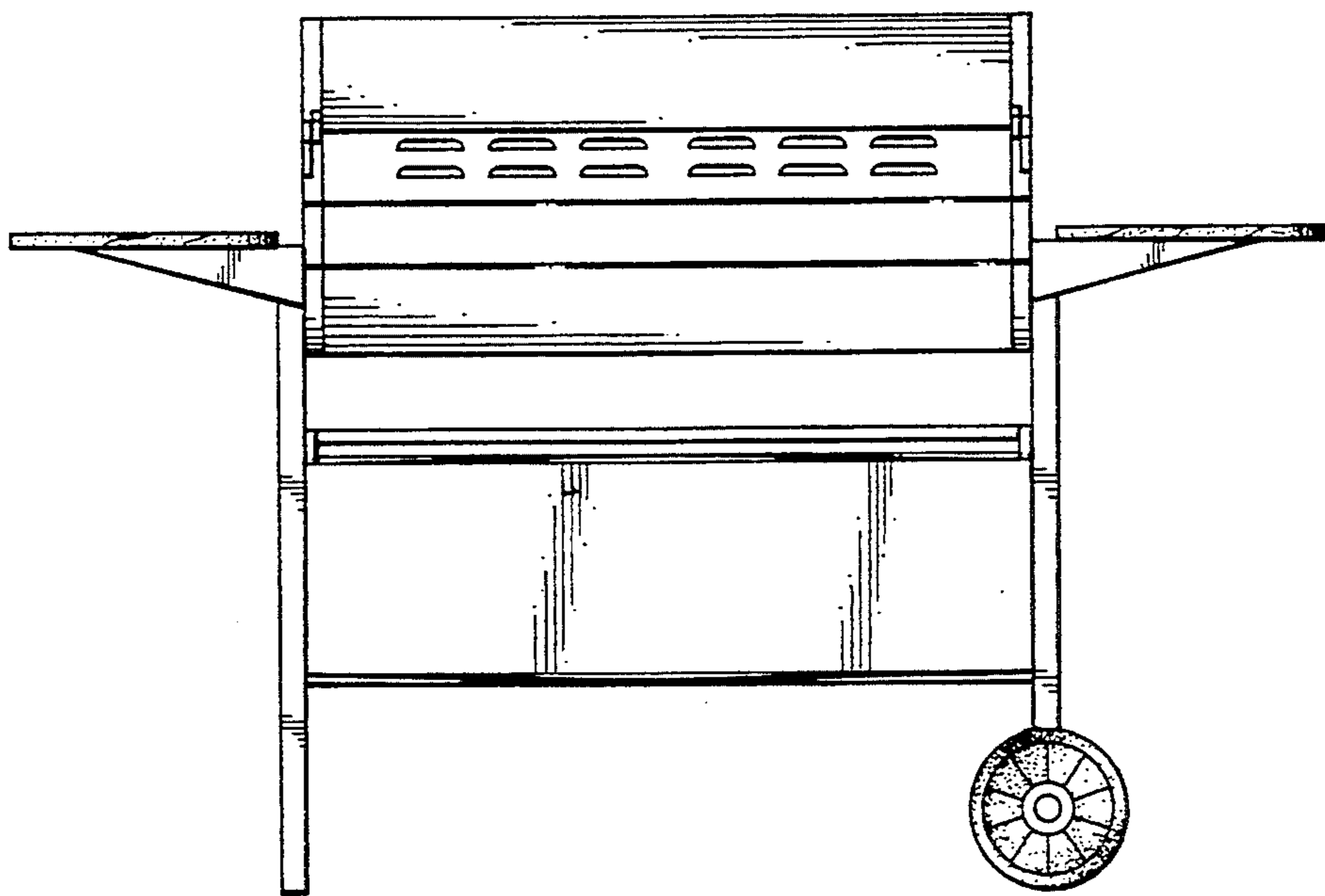


FIG. 3

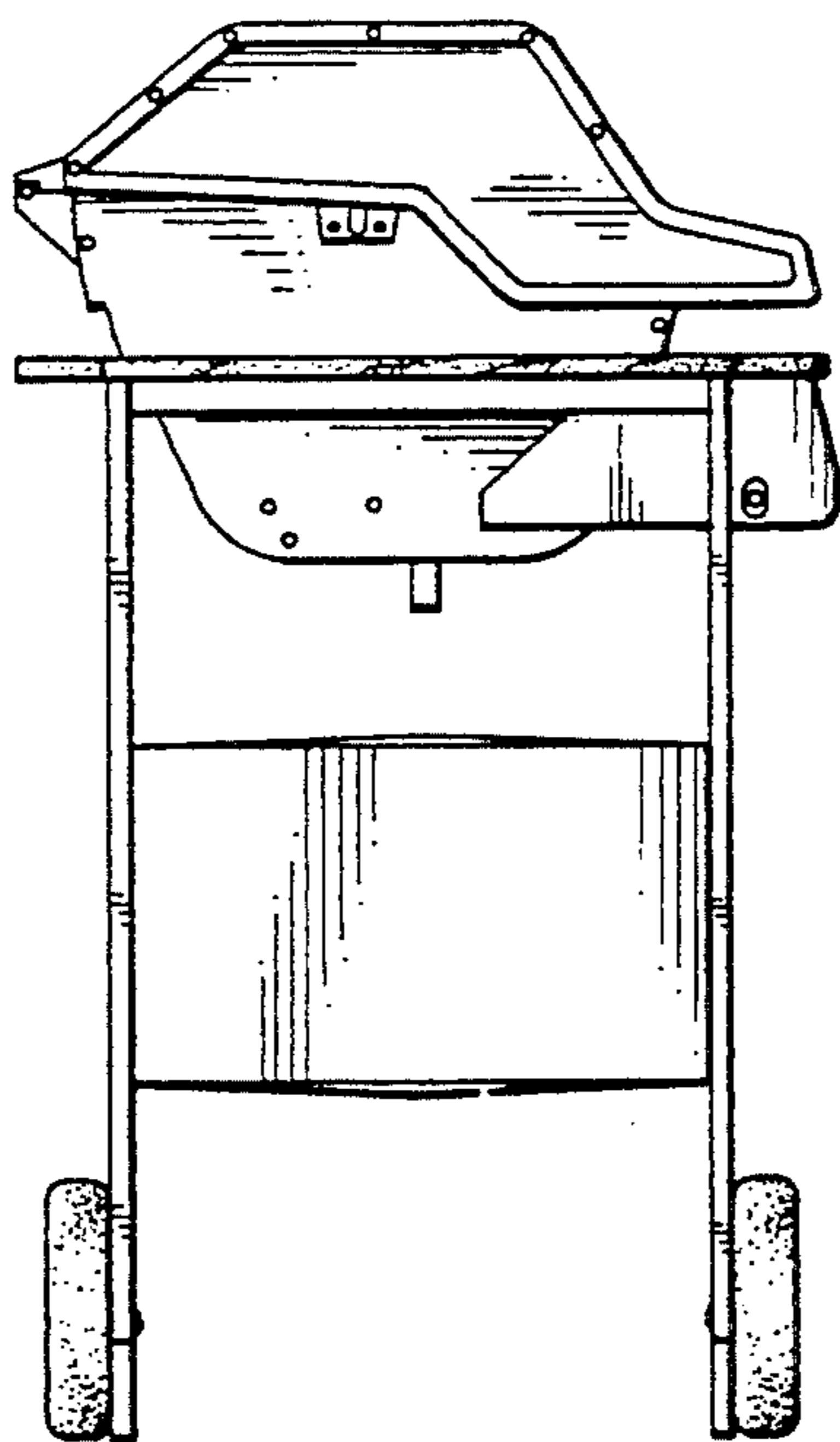


FIG. 4

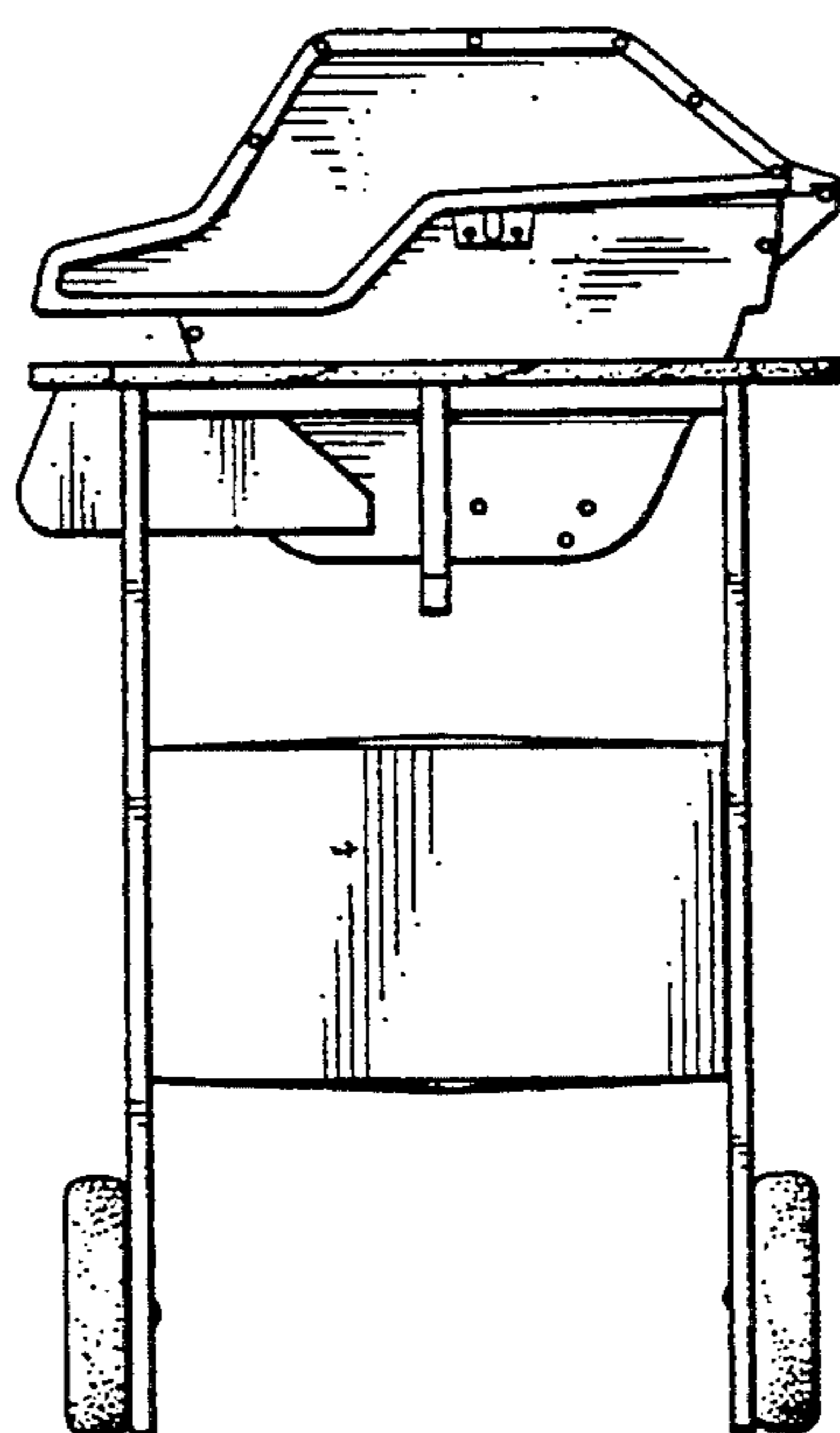


FIG. 5

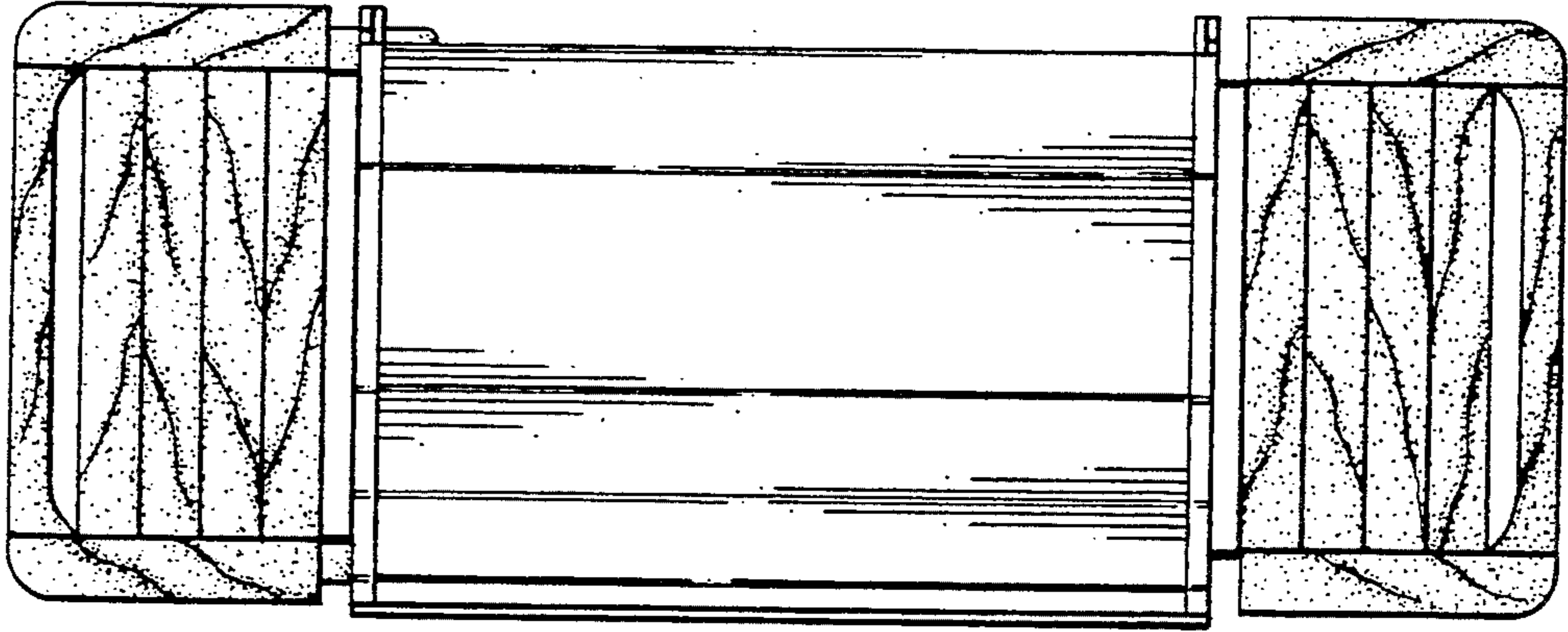


FIG. 6

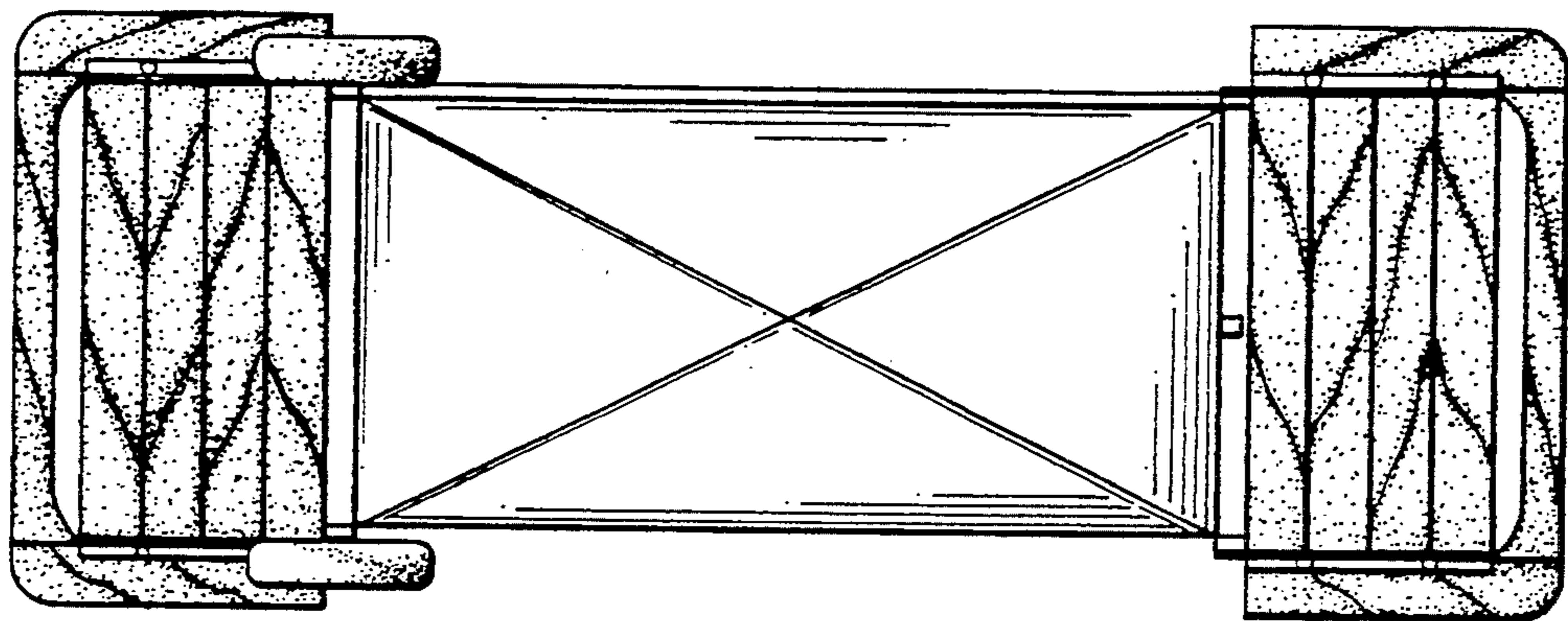


FIG. 7

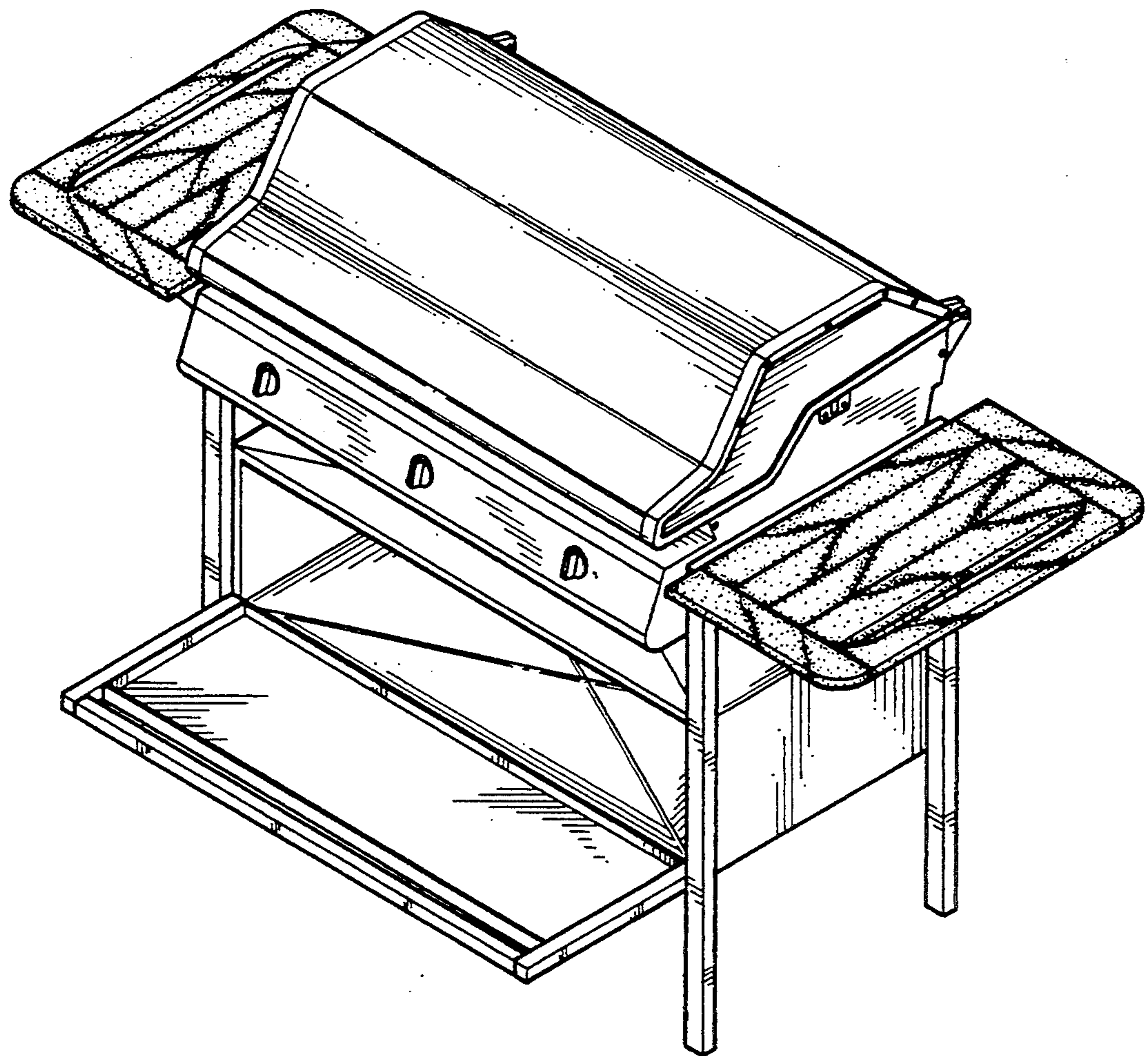


FIG. 8