



US00D362145S

United States Patent [19]

[11] Patent Number: **Des. 362,145**

Nolen

[45] Date of Patent: **** Sep. 12, 1995**

[54] **WATERPROOF TOILET PAPER HOLDER**

4,844,368 7/1989 Hu .
5,104,054 4/1992 Latham .

[76] Inventor: **Rosa J. Nolen, 5612 Lacy Rd.,
Durham, N.C. 27713**

Primary Examiner—Brian N. Vinson

[**] Term: **14 Years**

[57] **CLAIM**

[21] Appl. No.: **21,774**

The ornamental design for the waterproof toilet paper holder, as shown and described.

[22] Filed: **Apr. 25, 1994**

[52] U.S. Cl. **D6/523**

[58] Field of Search **D6/518-523;
D3/201, 254, 257, 269; 242/570, 134, 137**

DESCRIPTION

[56] References Cited

U.S. PATENT DOCUMENTS

D. 319,552	9/1991	Christensen	D6/520
D. 339,490	9/1993	Addison et al.	D6/518
3,865,323	2/1975	Stronge et al. .	
4,135,678	1/1979	Williams .	
4,690,345	9/1987	Cotey .	

FIG. 1 is a front elevational view of the waterproof toilet paper holder showing my new design; FIG. 2 is a rear elevational view thereof; FIG. 3 is a left side elevational view thereof; FIG. 4 is a right side elevational view thereof; FIG. 5 is a top plan view thereof; and, FIG. 6 is a bottom plan view thereof. The dotted lines showing of a roll of toilet paper in FIGS. 1 and 2 is for illustrative purposes only and forms no part of the claimed design.

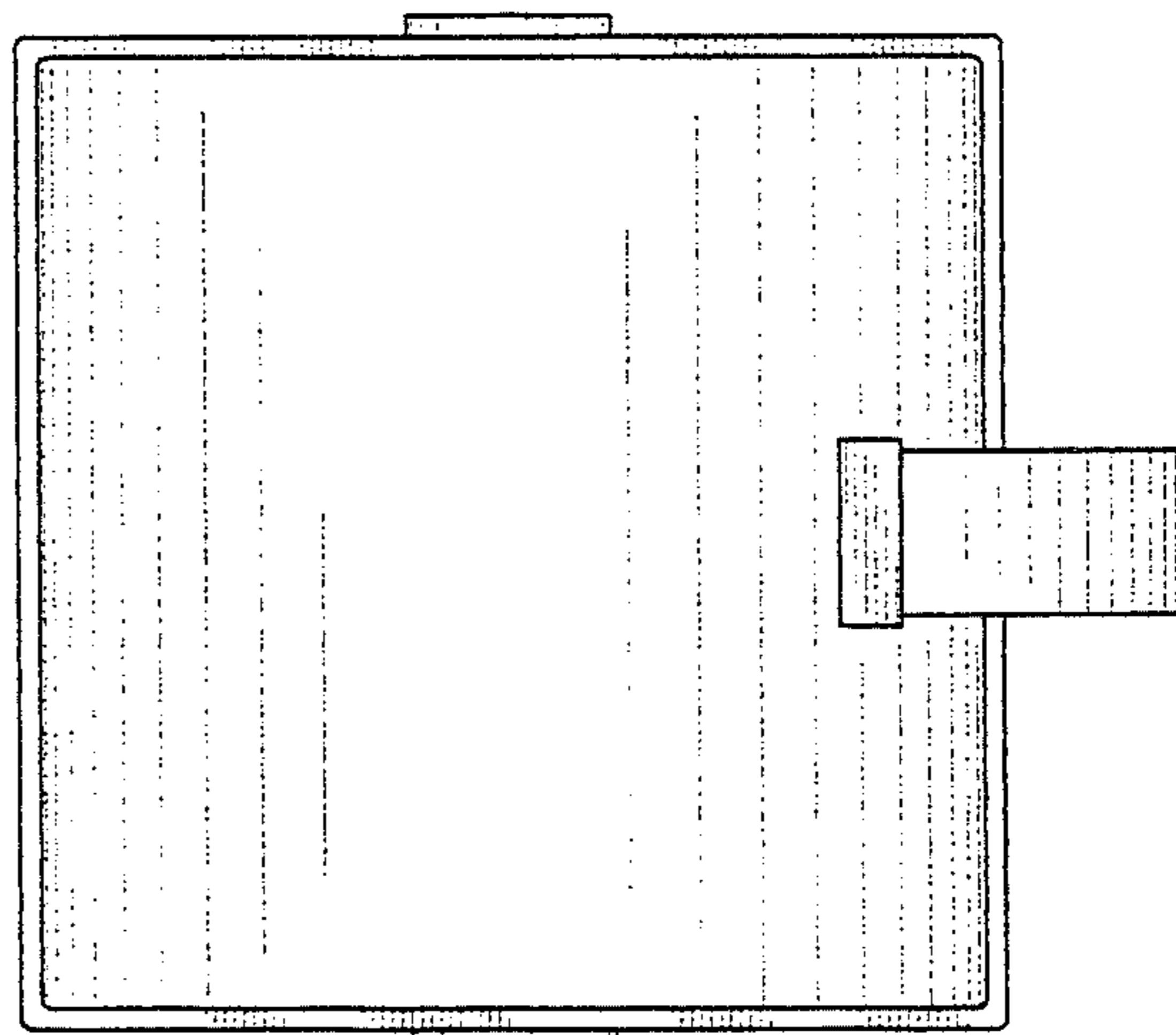
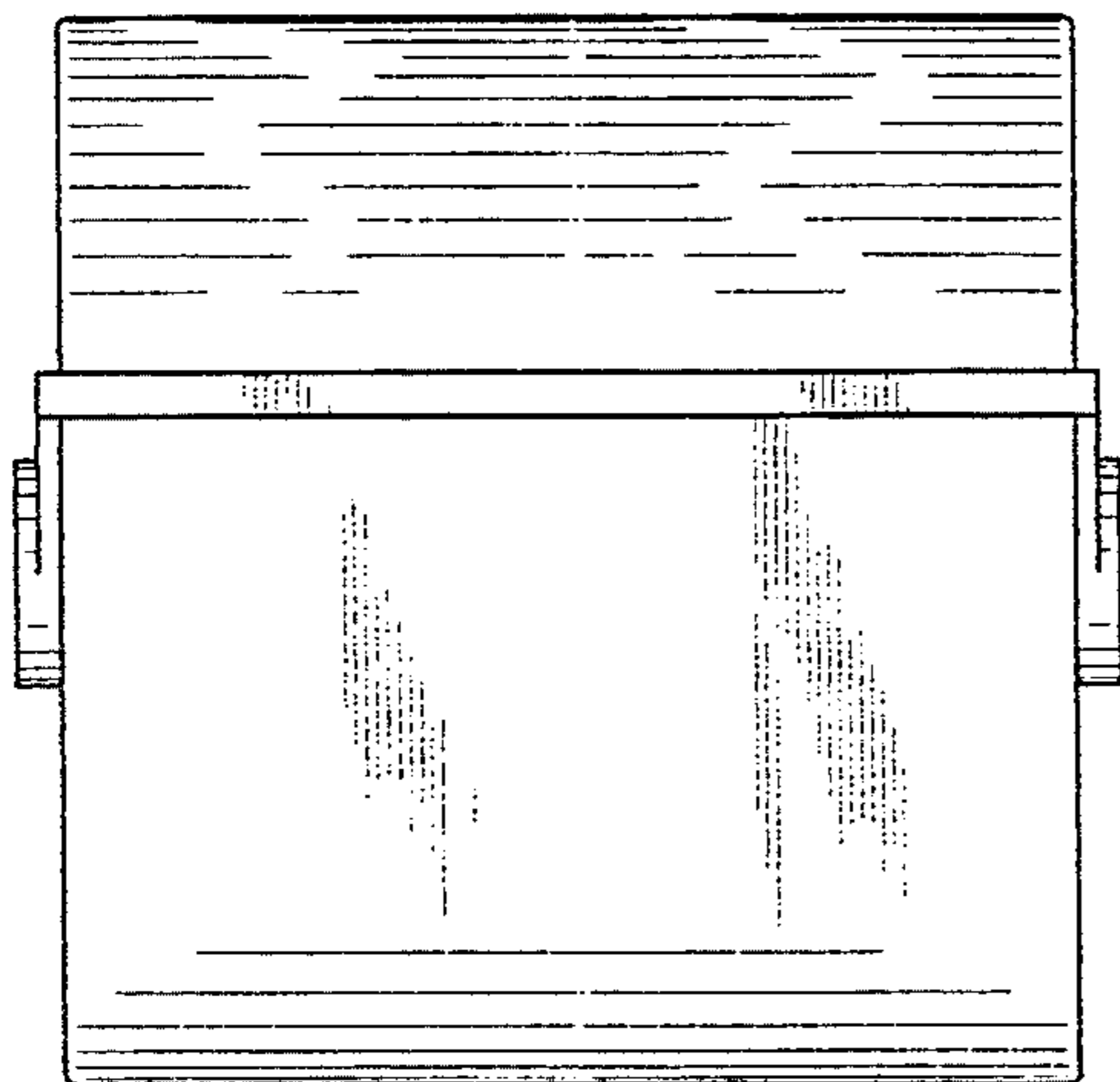
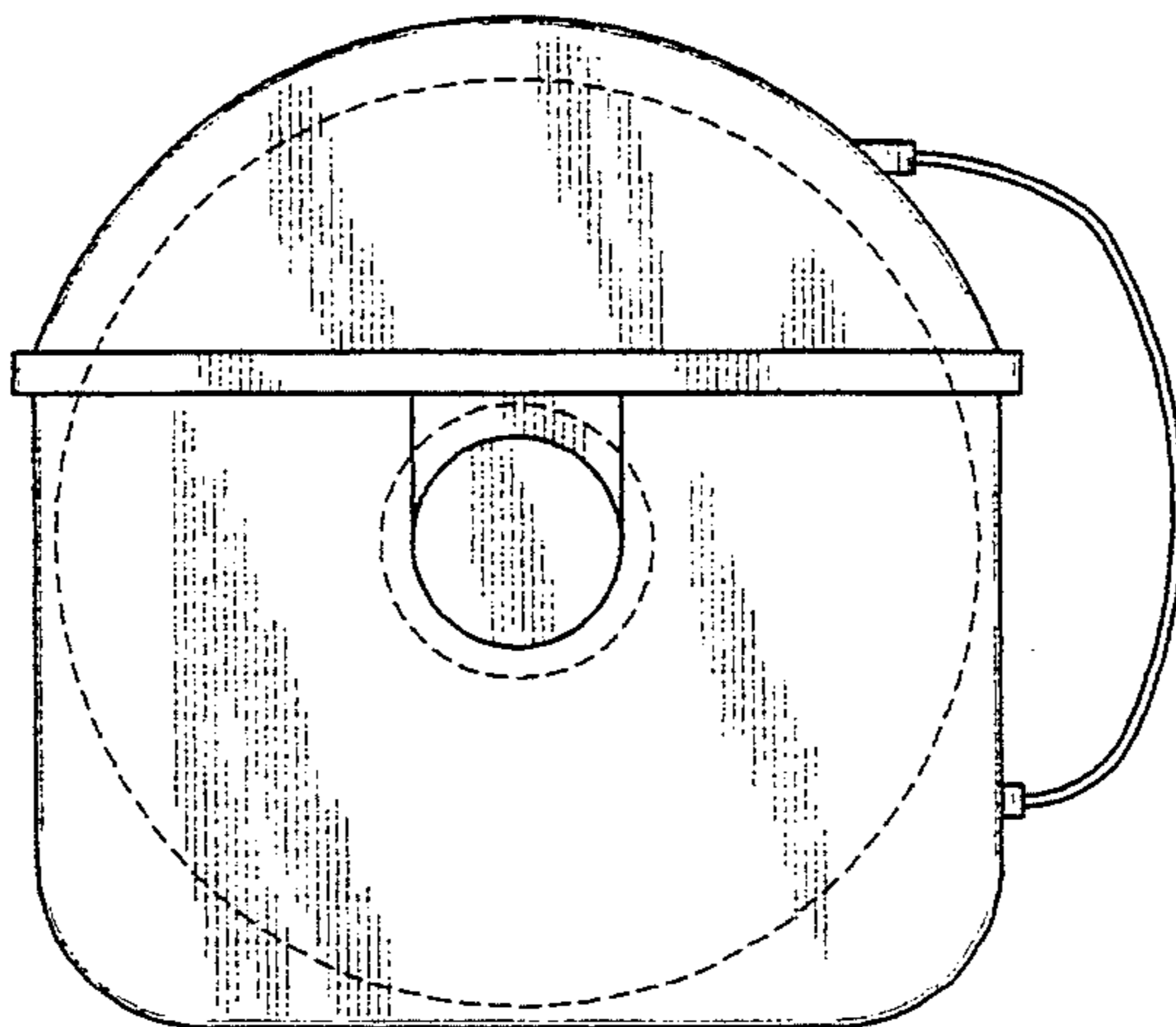


FIG. 1

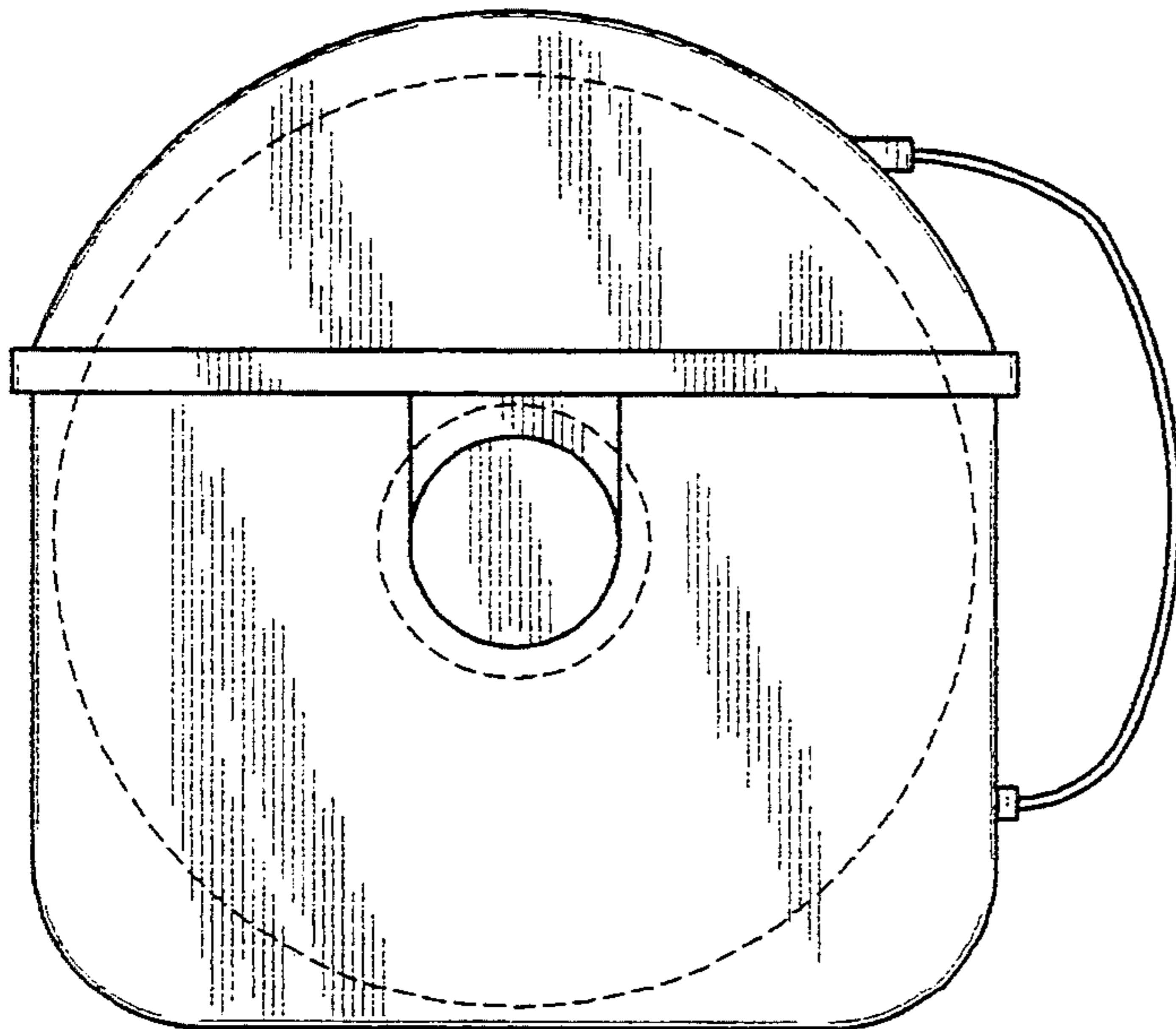


FIG. 2

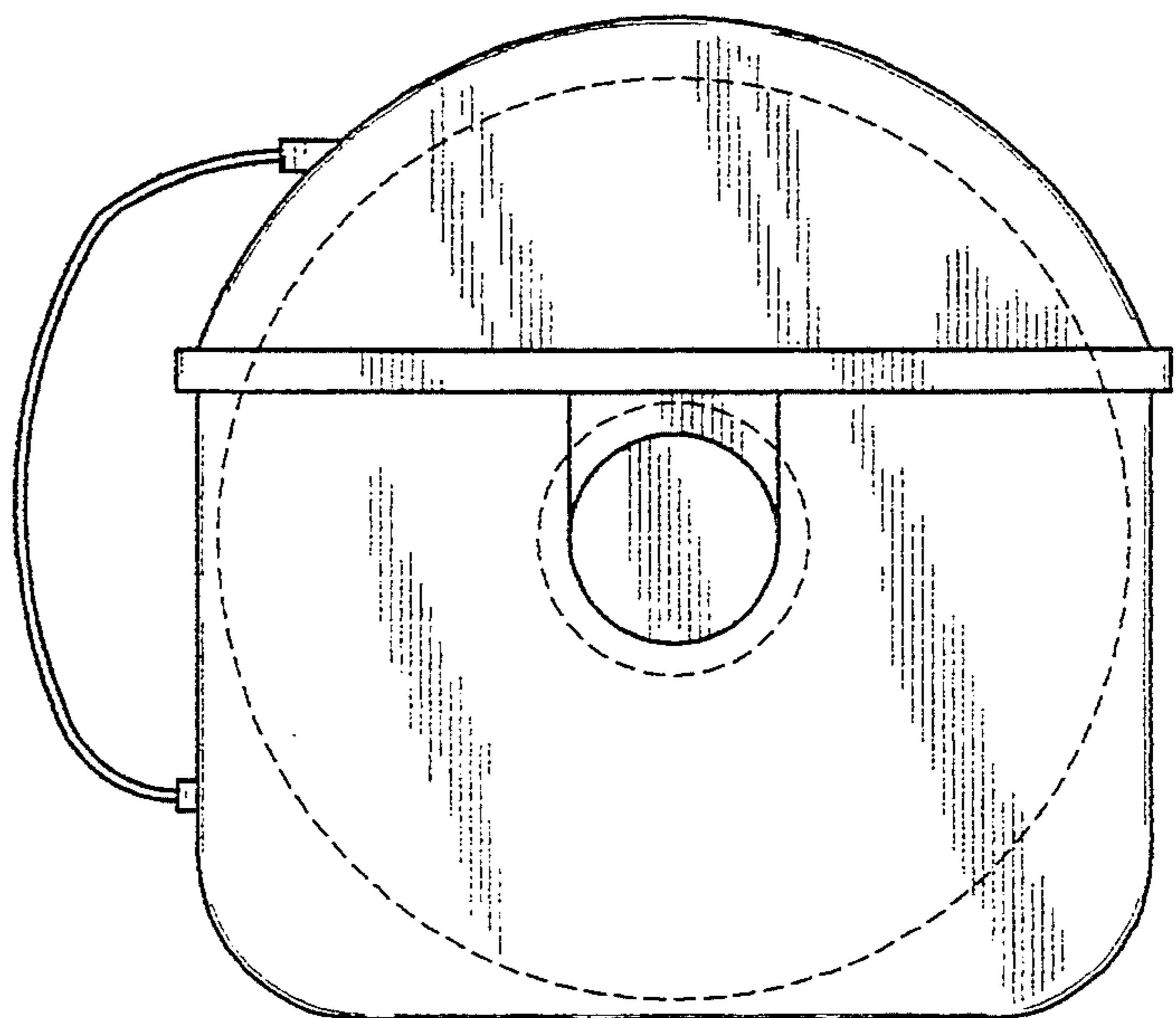


FIG. 3

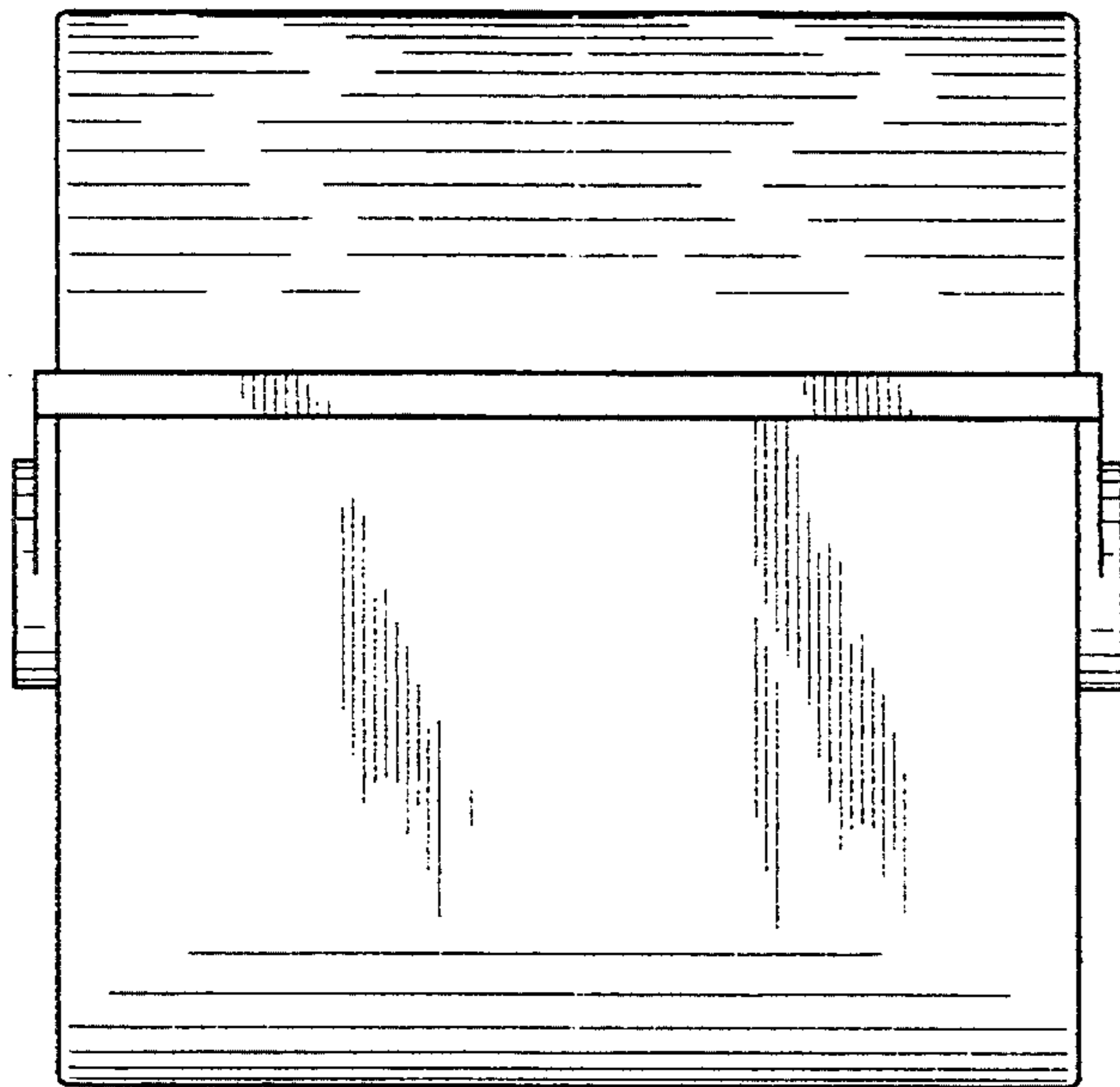


FIG. 4

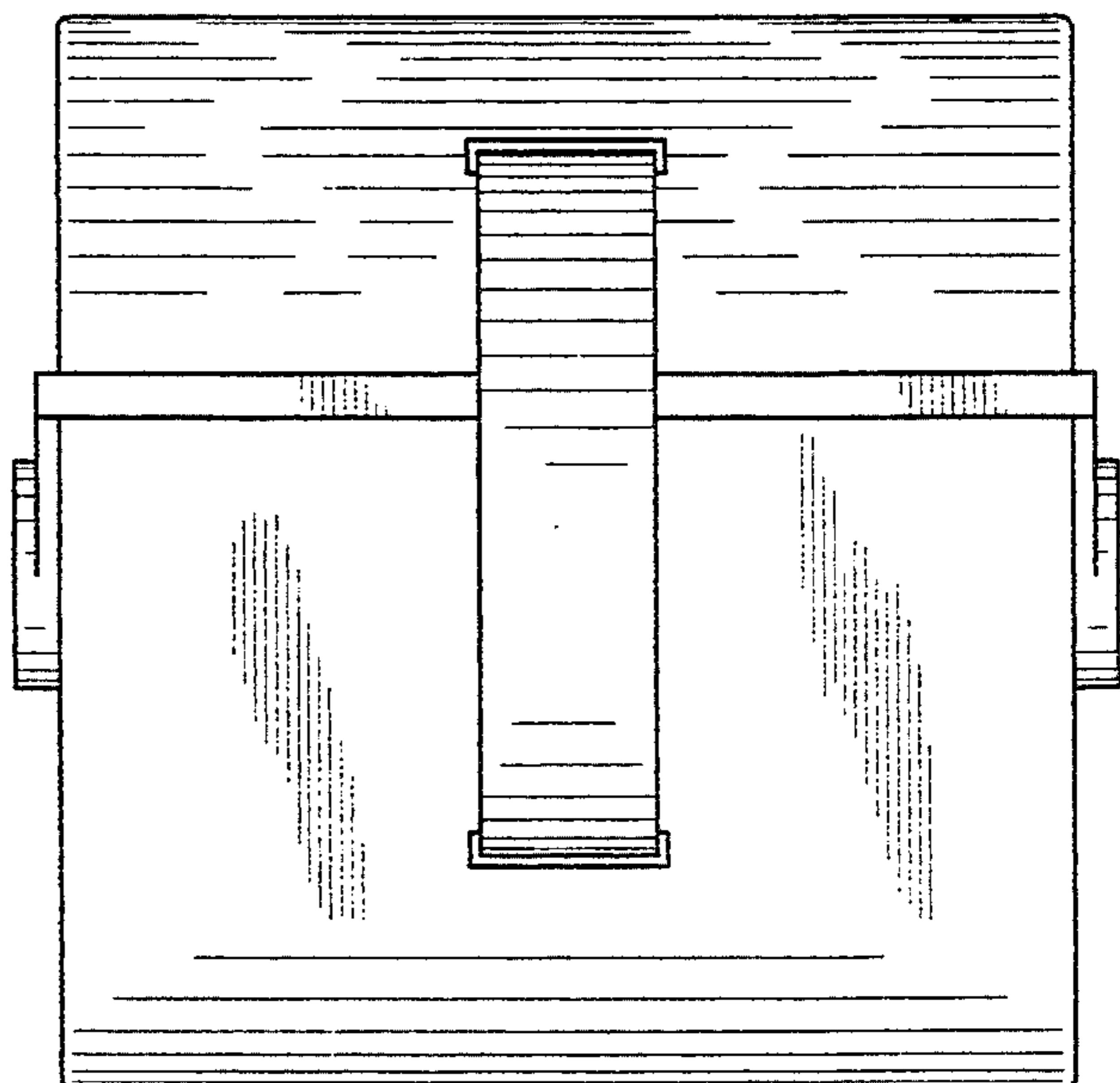


FIG. 5

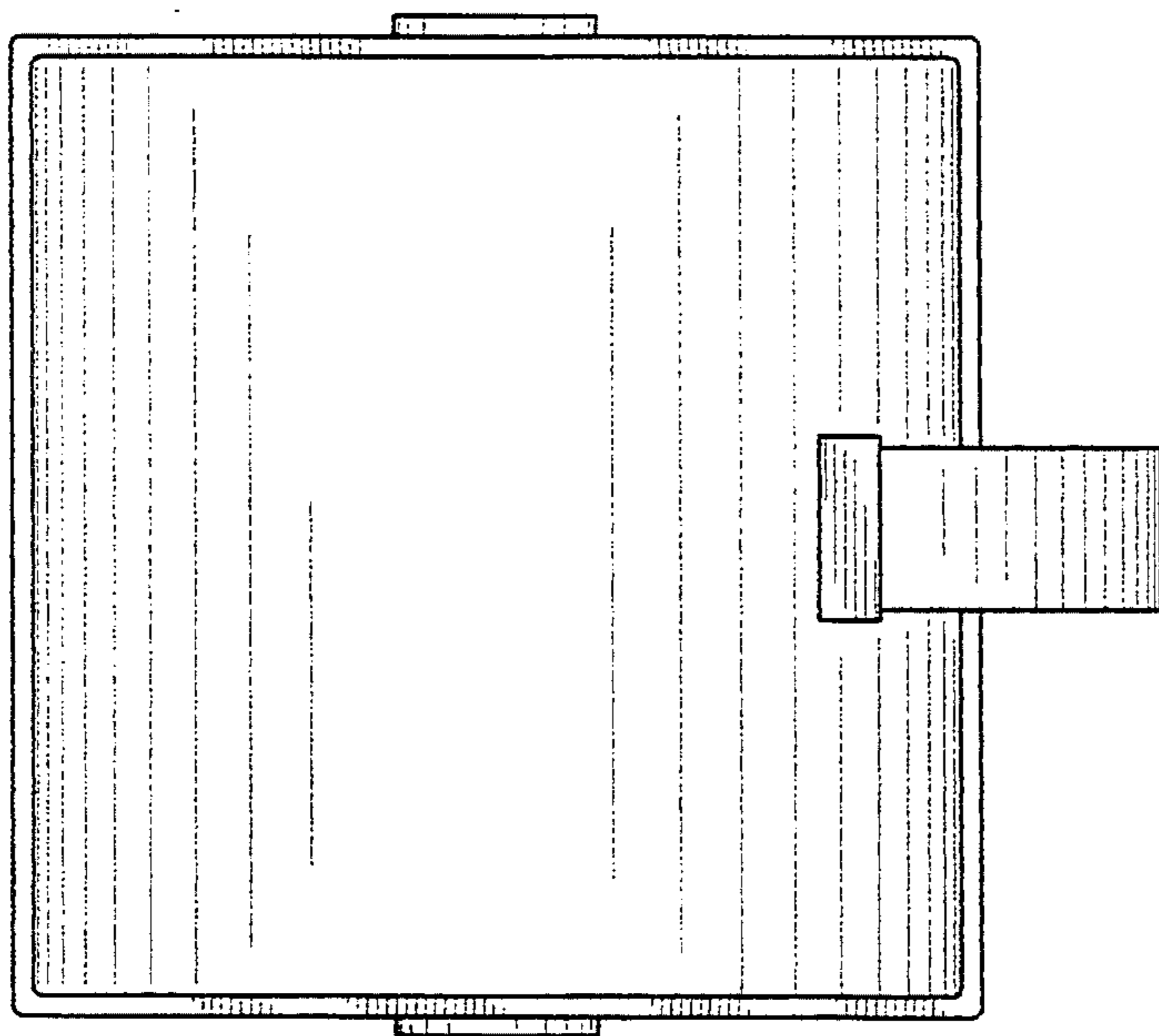


FIG. 6

