



US00D362144S

United States Patent [19] Tosoni

[11] Patent Number: **Des. 362,144**

[45] Date of Patent: **** Sep. 12, 1995**

[54] SEAT

[75] Inventor: **Isidoro Tosoni, Manzano, Italy**

[73] Assignee: **Effezeeta Srl, Premariacco, Italy**

[**] Term: **14 Years**

[21] Appl. No.: **16,865**

[22] Filed: **Dec. 27, 1993**

[30] **Foreign Application Priority Data**

Jun. 28, 1993 [IT] Italy UD930000031

[52] U.S. Cl. **D6/500**

[58] Field of Search D6/334, 370, 374, 375,
D6/379, 500-502; 297/446, 445, 449, 452.12,
452.14, 452.19

[56] **References Cited**

U.S. PATENT DOCUMENTS

- D. 177,269 3/1956 McKinley et al. D6/375
- D. 196,720 10/1963 Johnson D6/375 X
- D. 308,310 6/1990 Wilson D6/502
- D. 334,299 3/1993 Embree D6/370 X

OTHER PUBLICATIONS

G.F. Furniture Systems—Seating Solutions ©1984 p. 12.

1988 Office Furn. Mart, p. 49 #I at lower right corner.

Primary Examiner—Janice E. Seeger

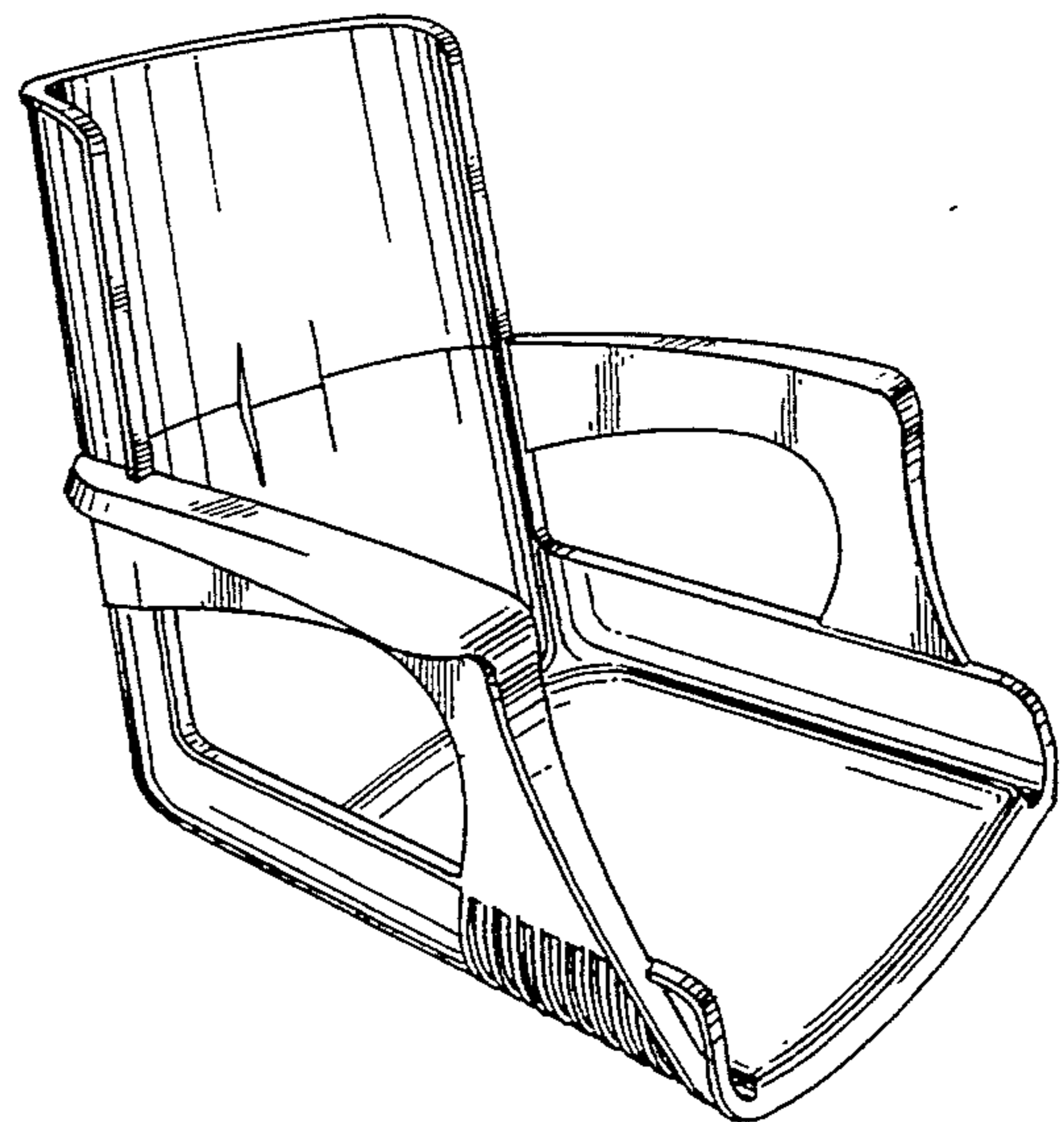
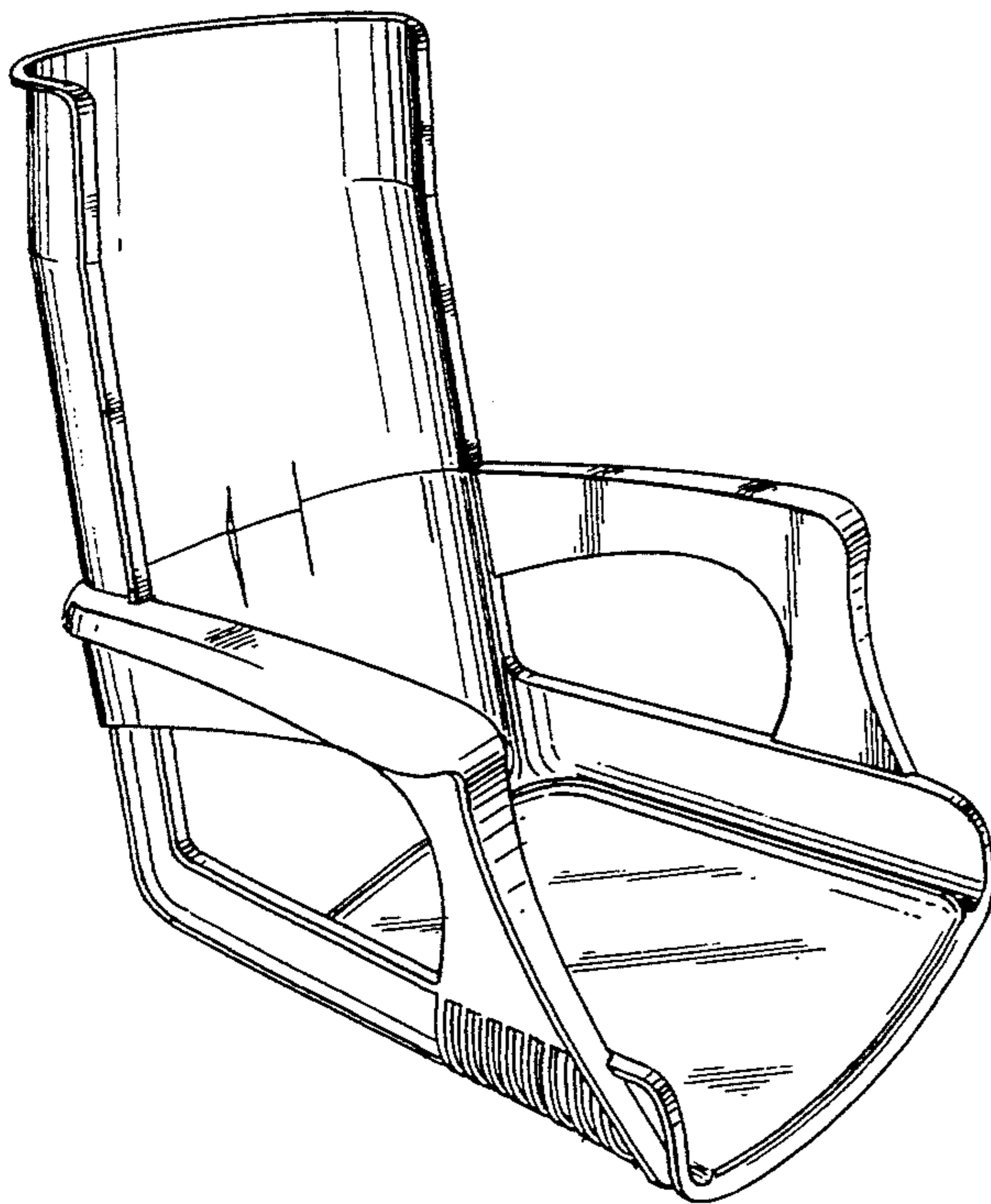
Attorney, Agent, or Firm—Breiner & Breiner

[57] **CLAIM**

The ornamental design for seat, as shown and described.

DESCRIPTION

FIG. 1 is a perspective view of the seat;
 FIG. 2 is a left side view of the seat;
 FIG. 3 is a right side view of the seat;
 FIG. 4 is a front view of the seat;
 FIG. 5 is a rear view of the seat;
 FIG. 6 is a bottom plan view of the seat;
 FIG. 7 is a top plan view of the seat;
 FIG. 8 is a perspective view of a seat, showing a second embodiment of my new design;
 FIG. 9 is a left side view thereof;
 FIG. 10 is a right side view thereof;
 FIG. 11 is a front view thereof;
 FIG. 12 is a rear view thereof;
 FIG. 13 is a bottom plan view thereof; and,
 FIG. 14 is a top plan view thereof.



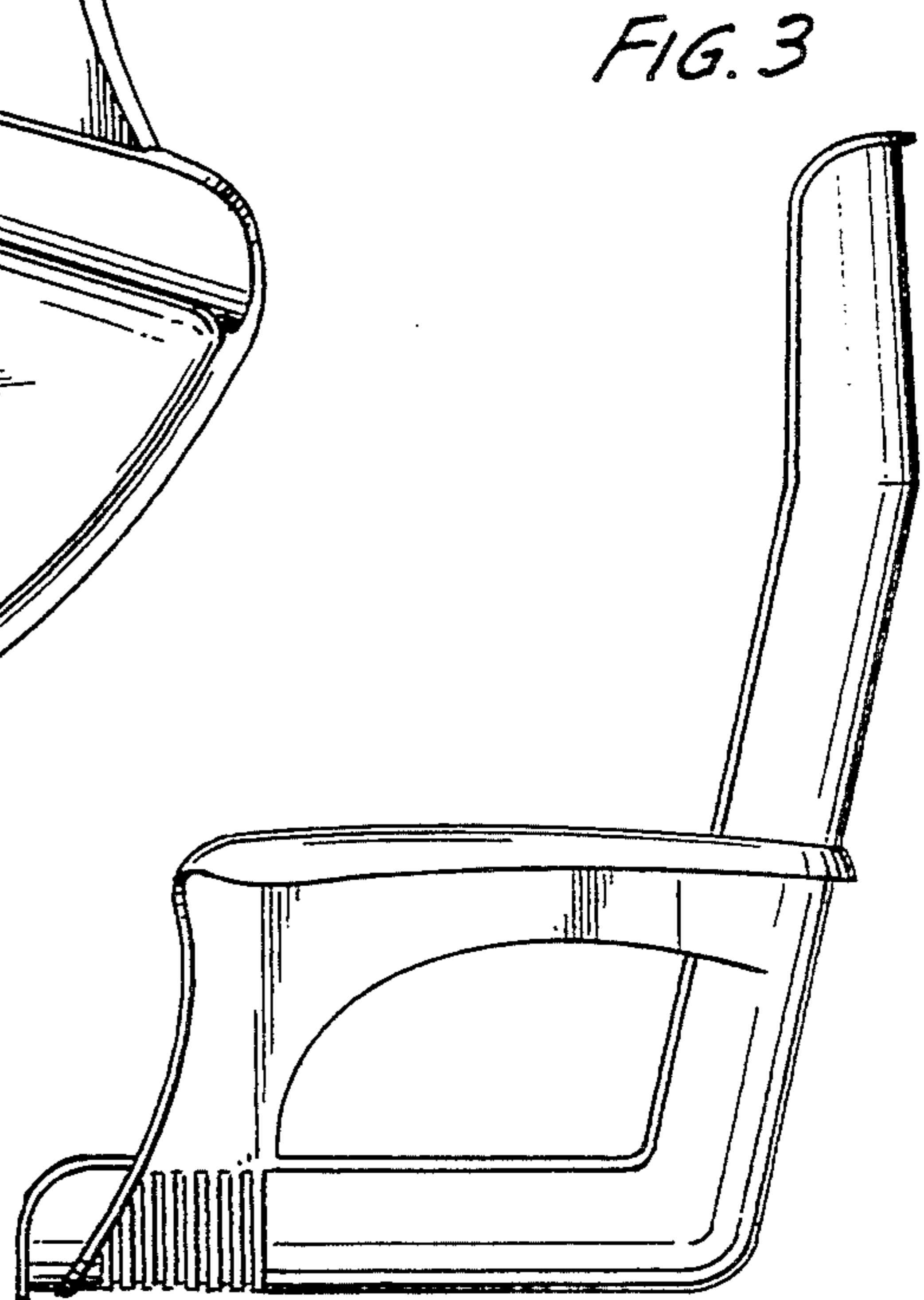
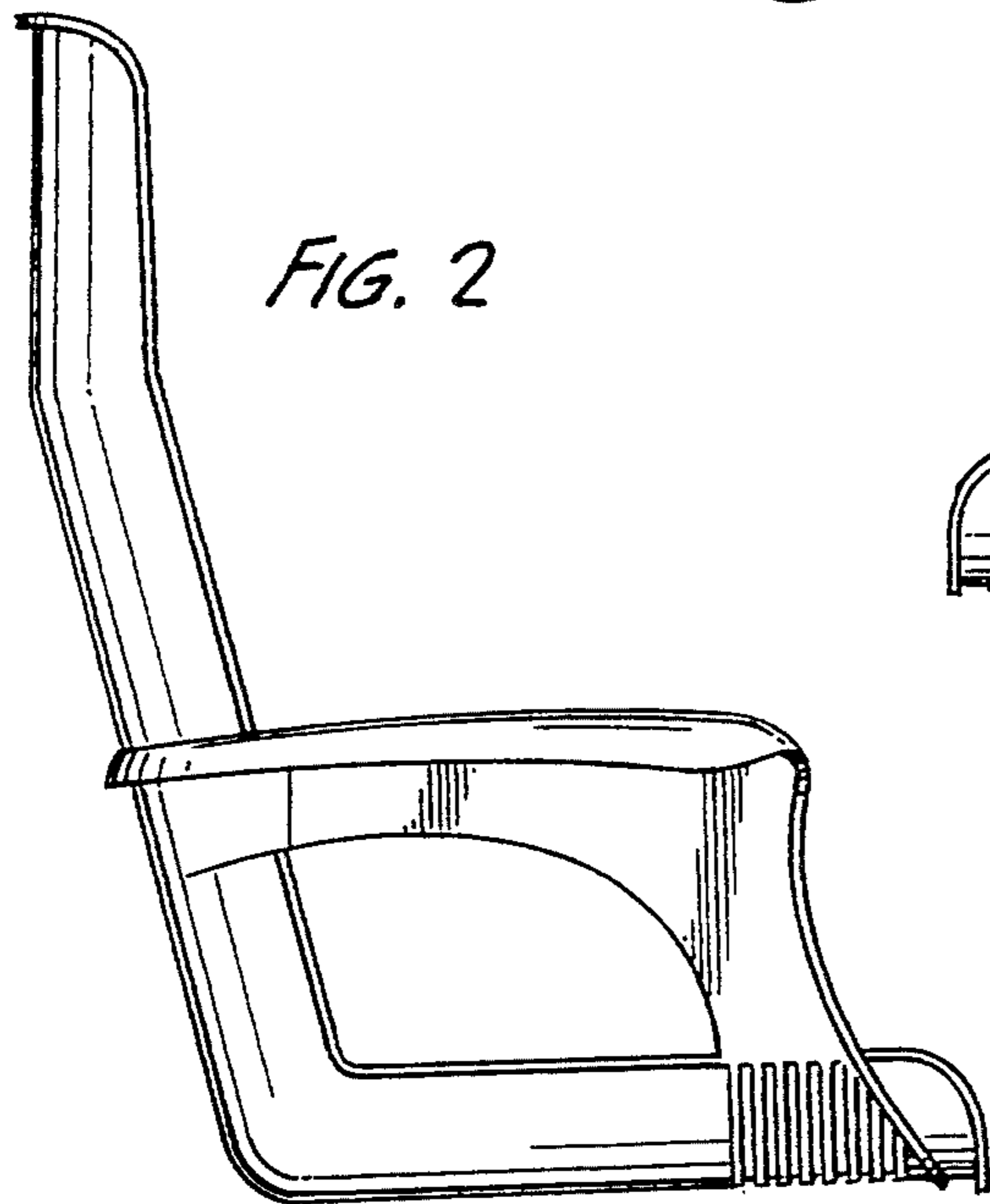
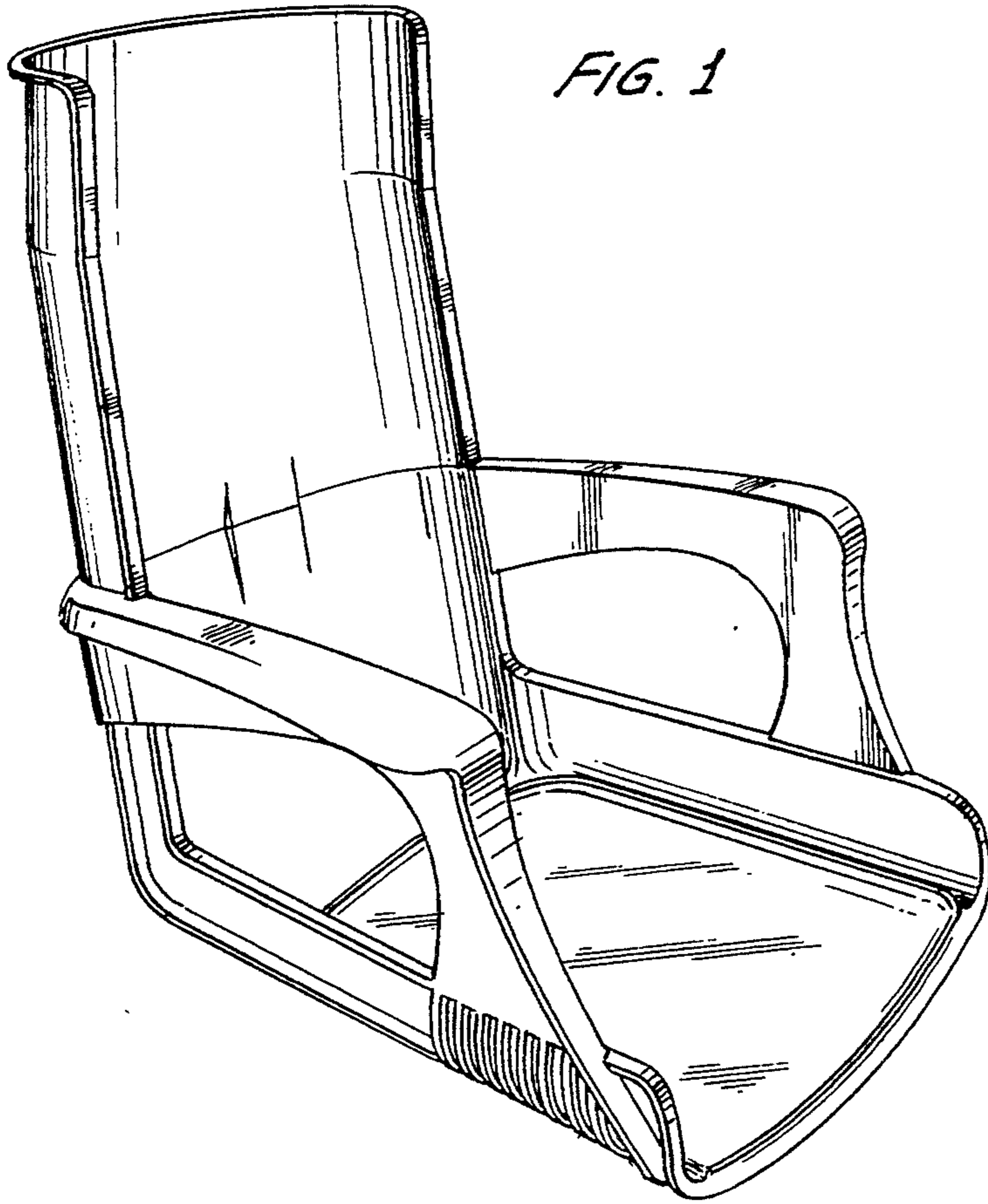


FIG. 4

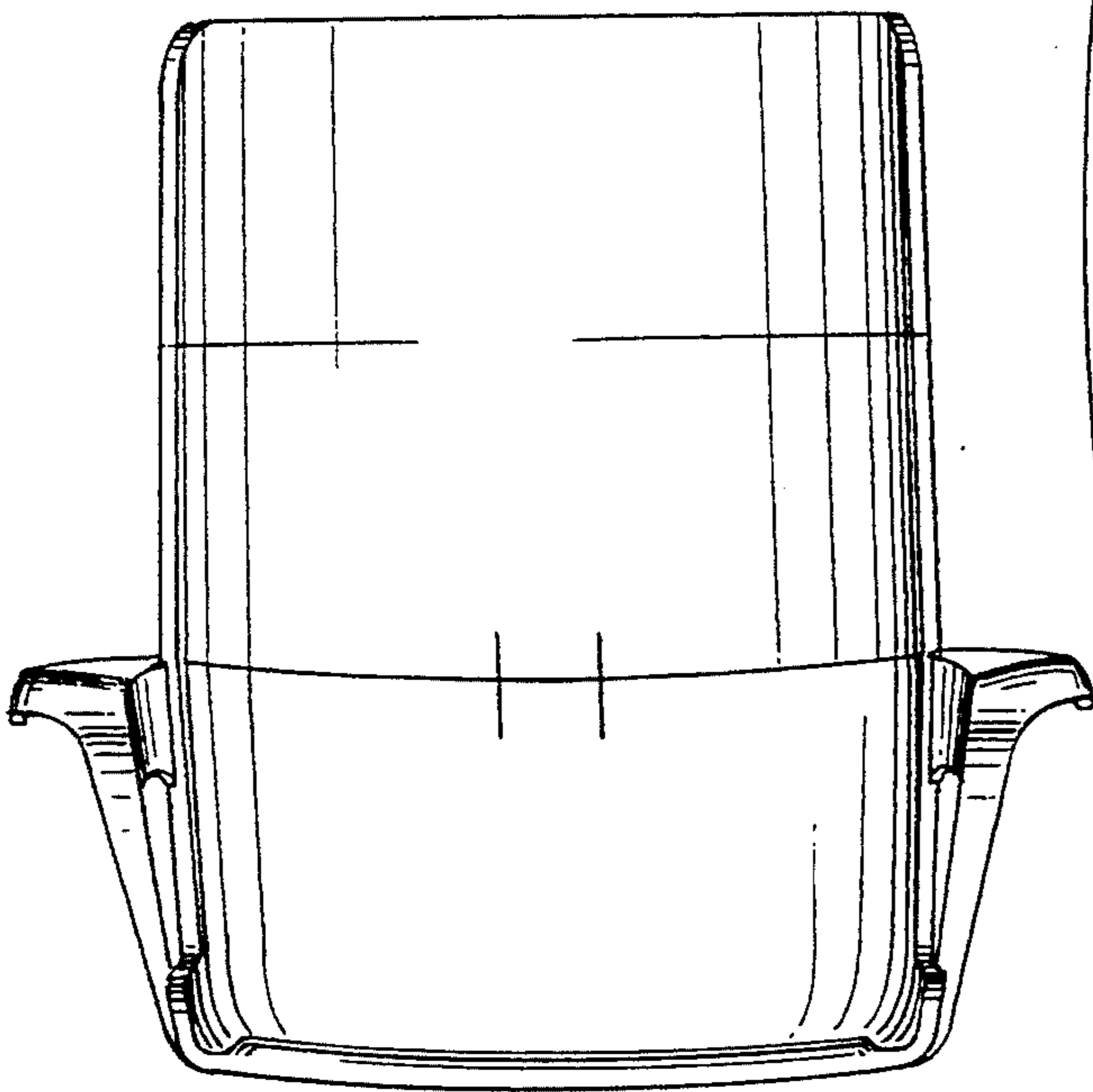


FIG. 5

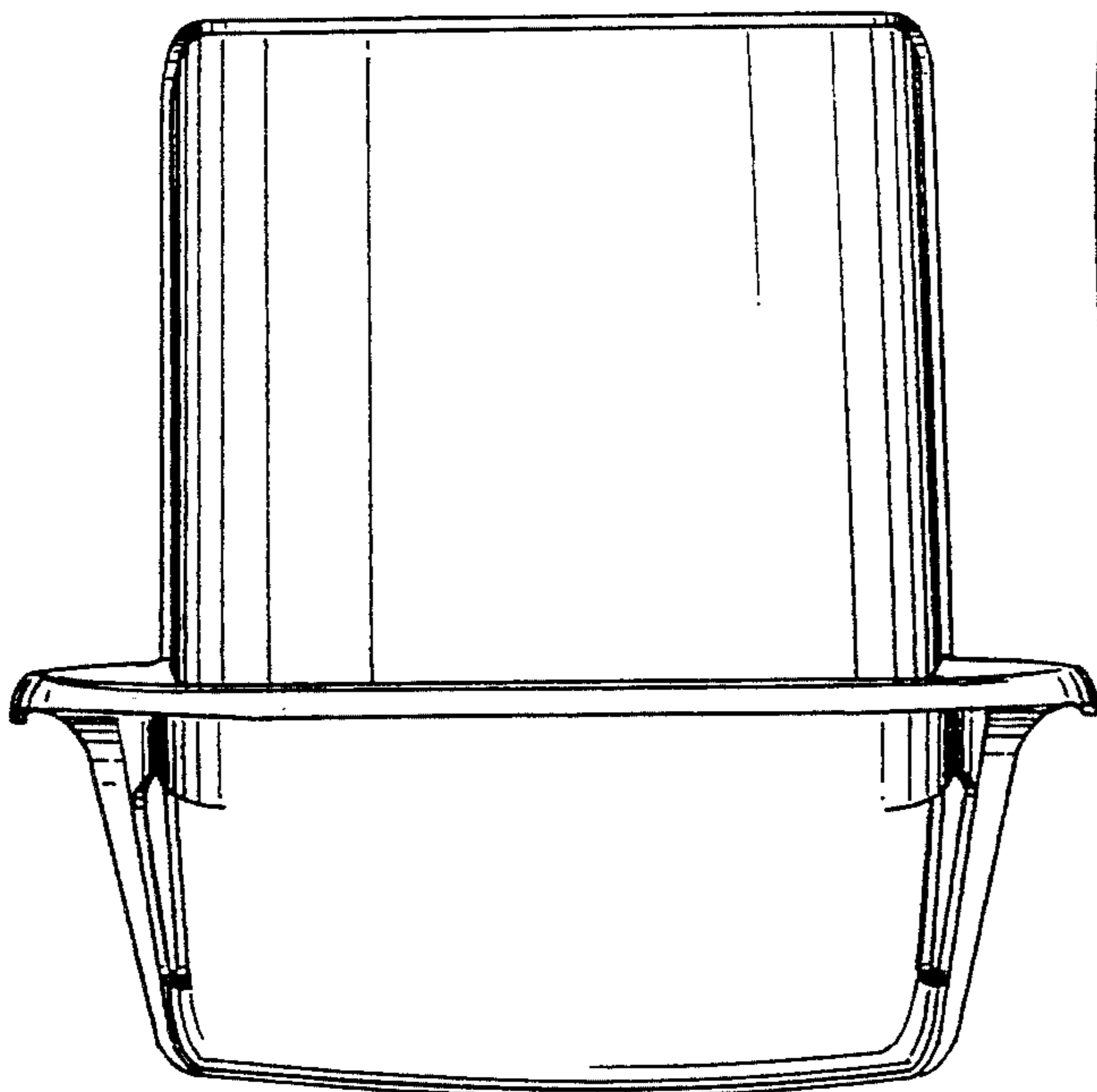


FIG. 6

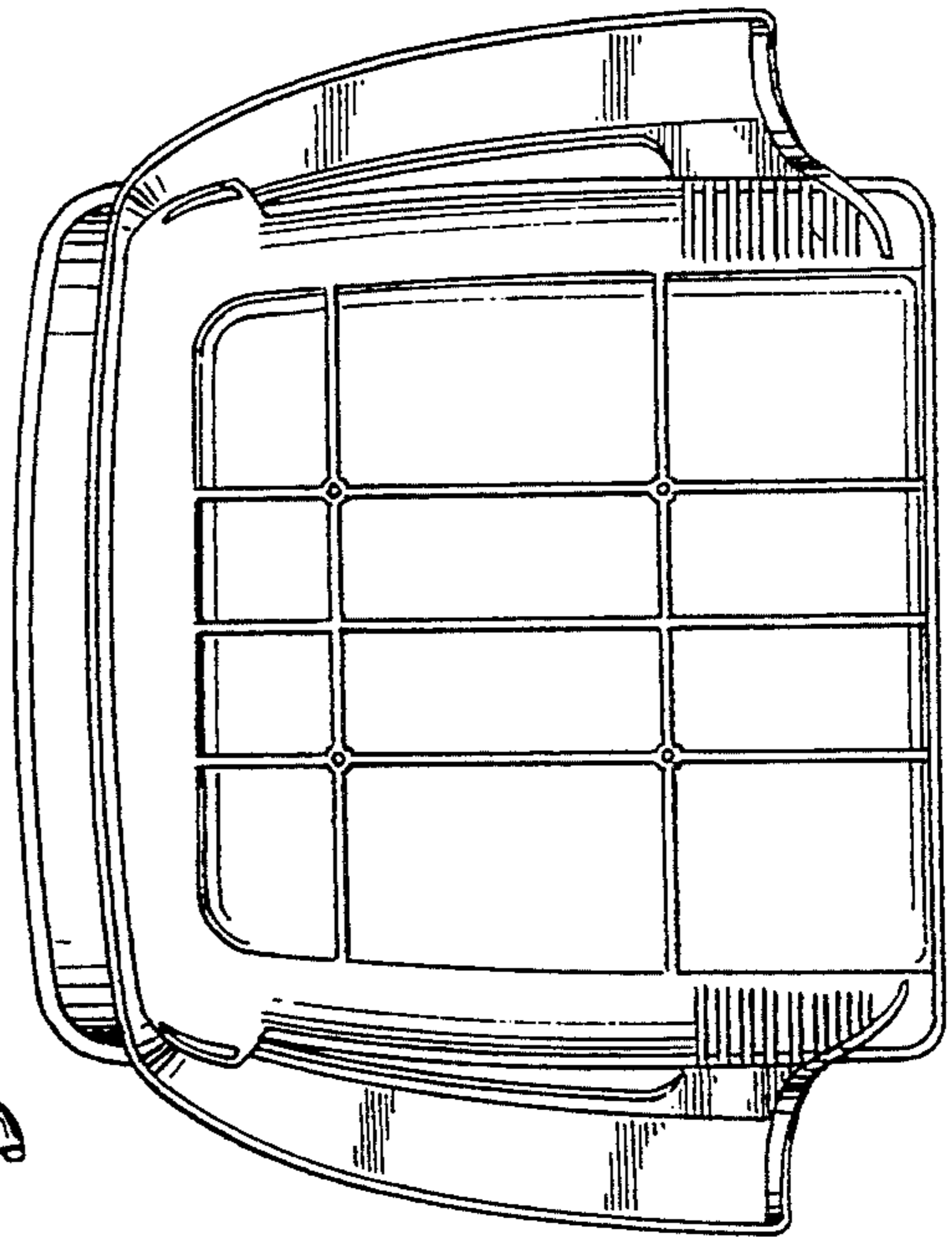


FIG. 7

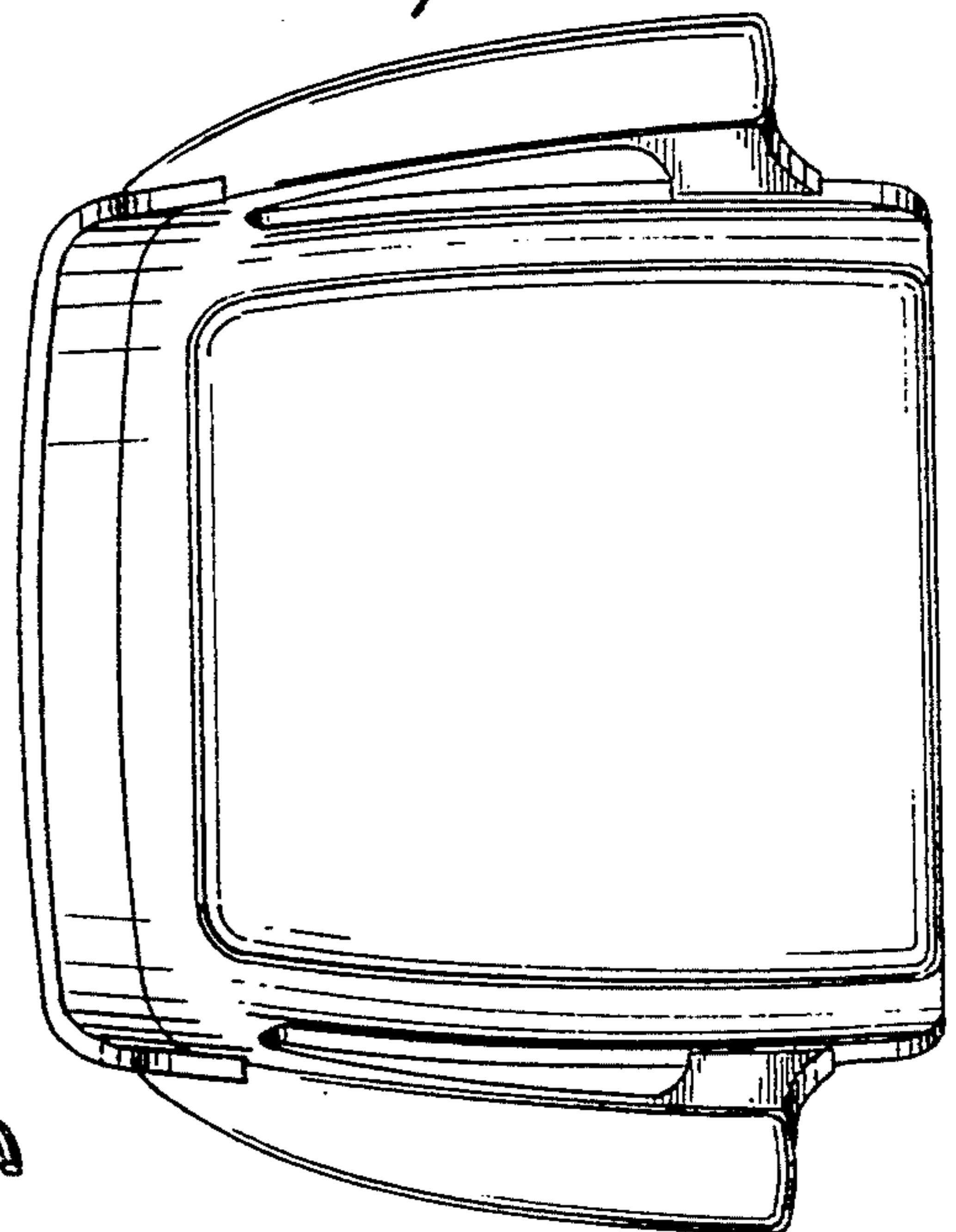


FIG. 8

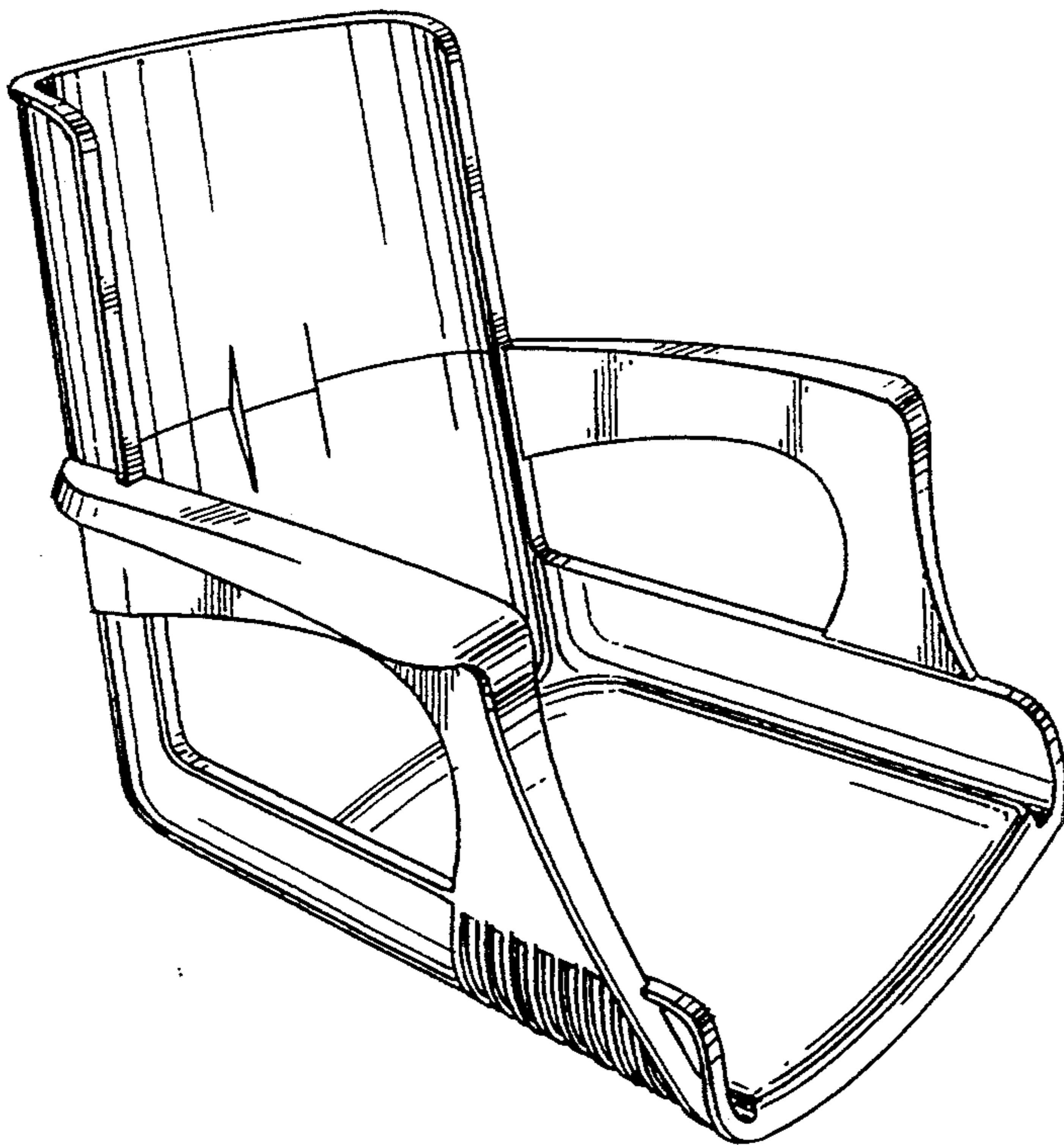


FIG. 10

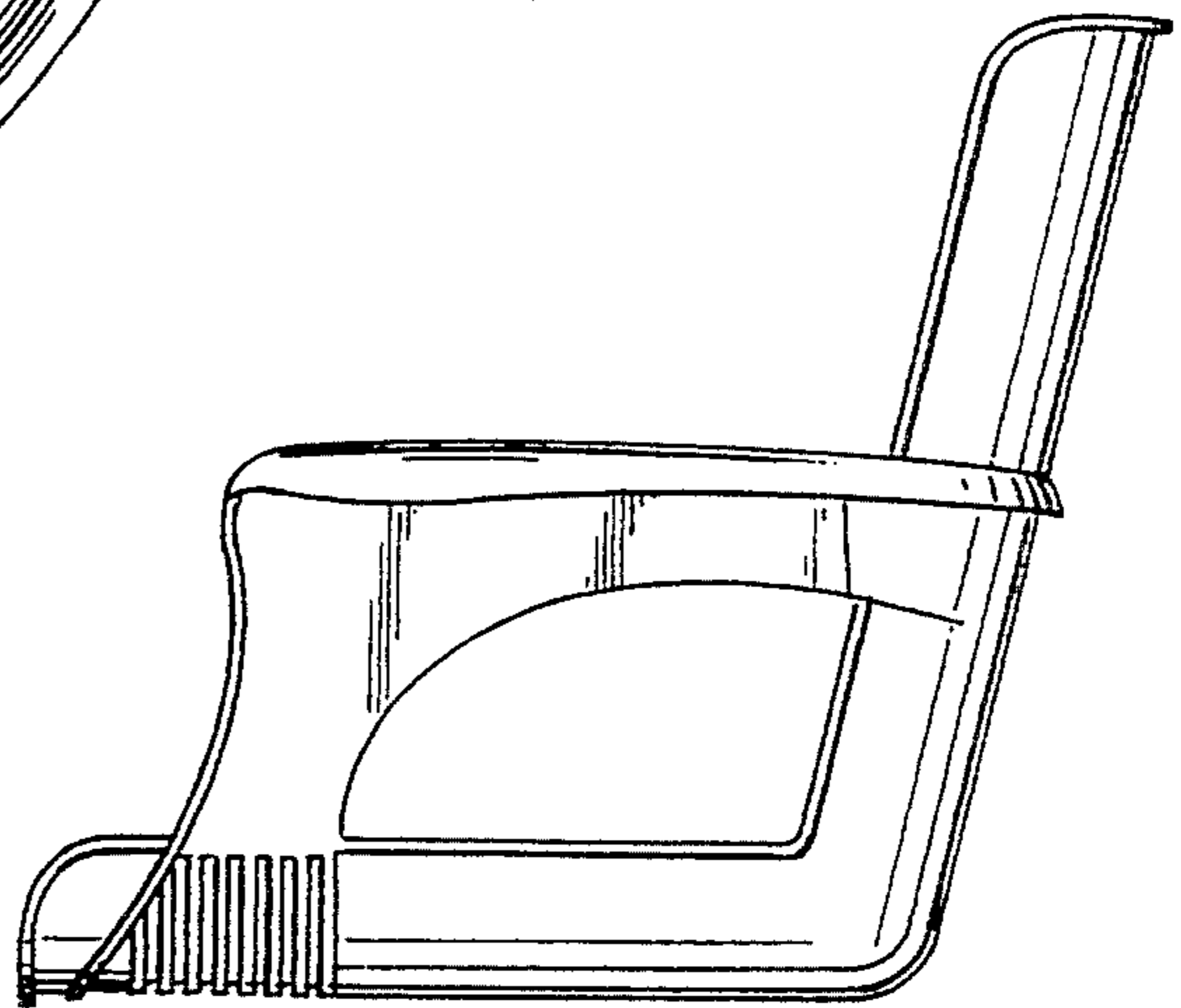


FIG. 9

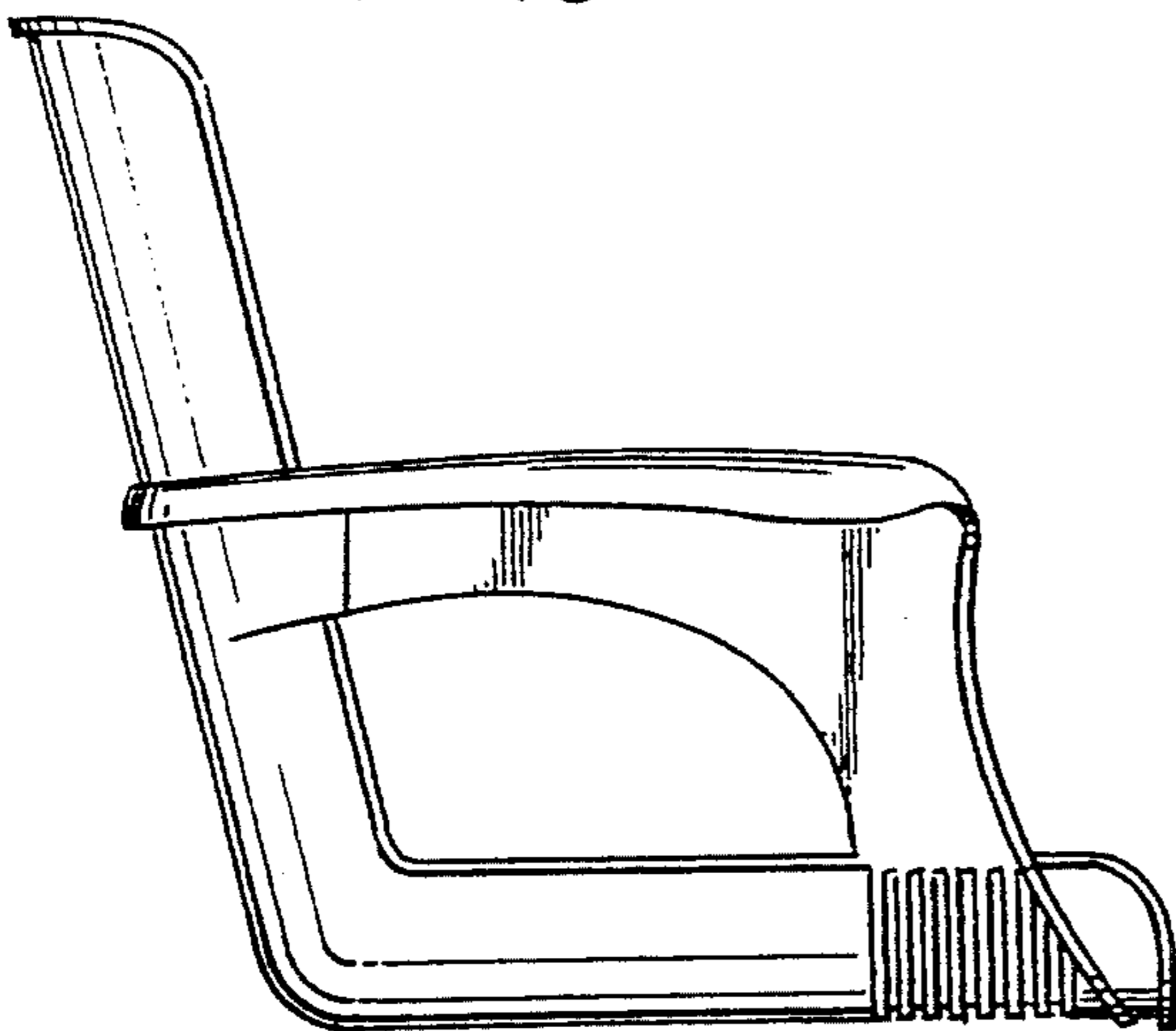


FIG. 11

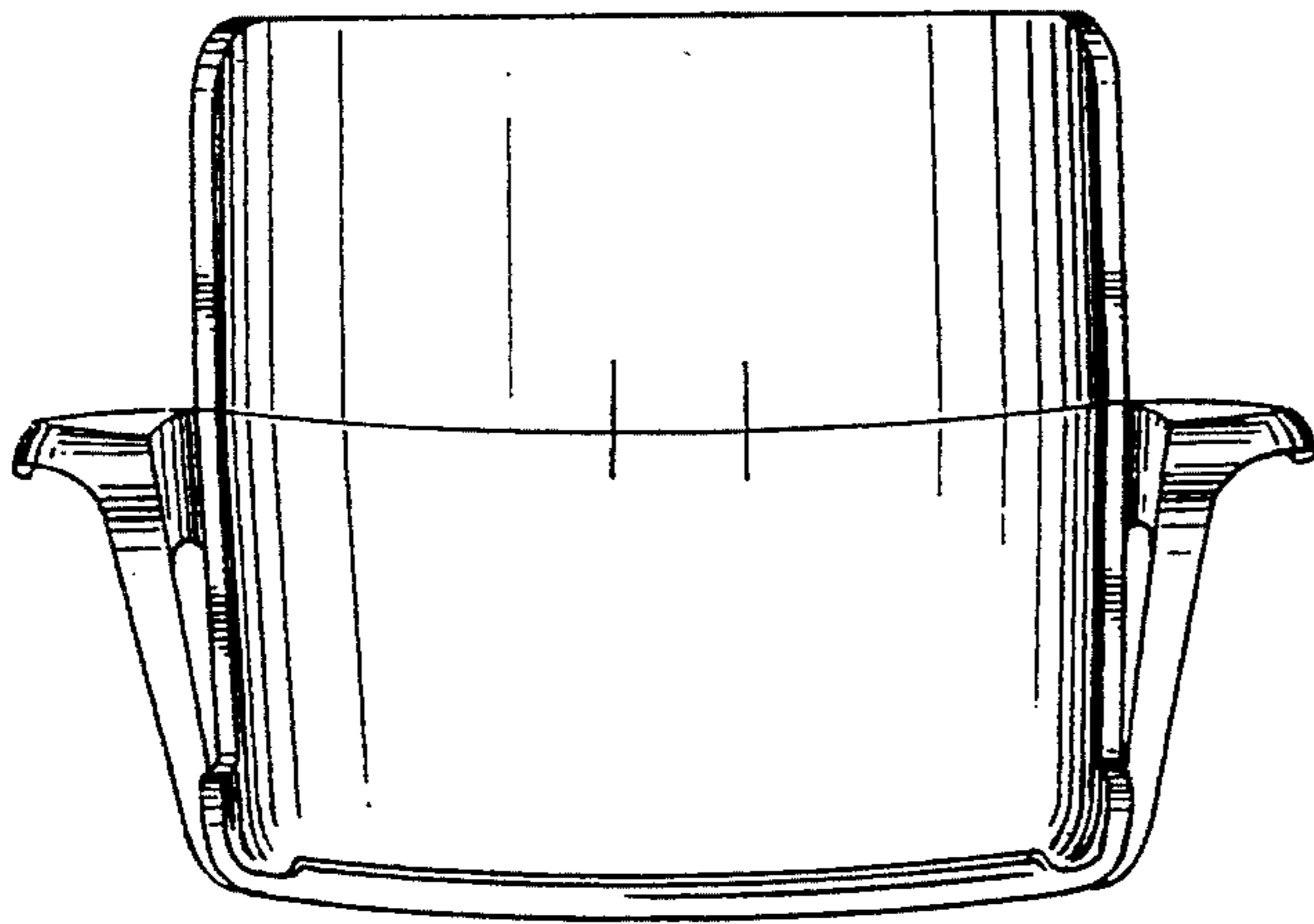


FIG. 12

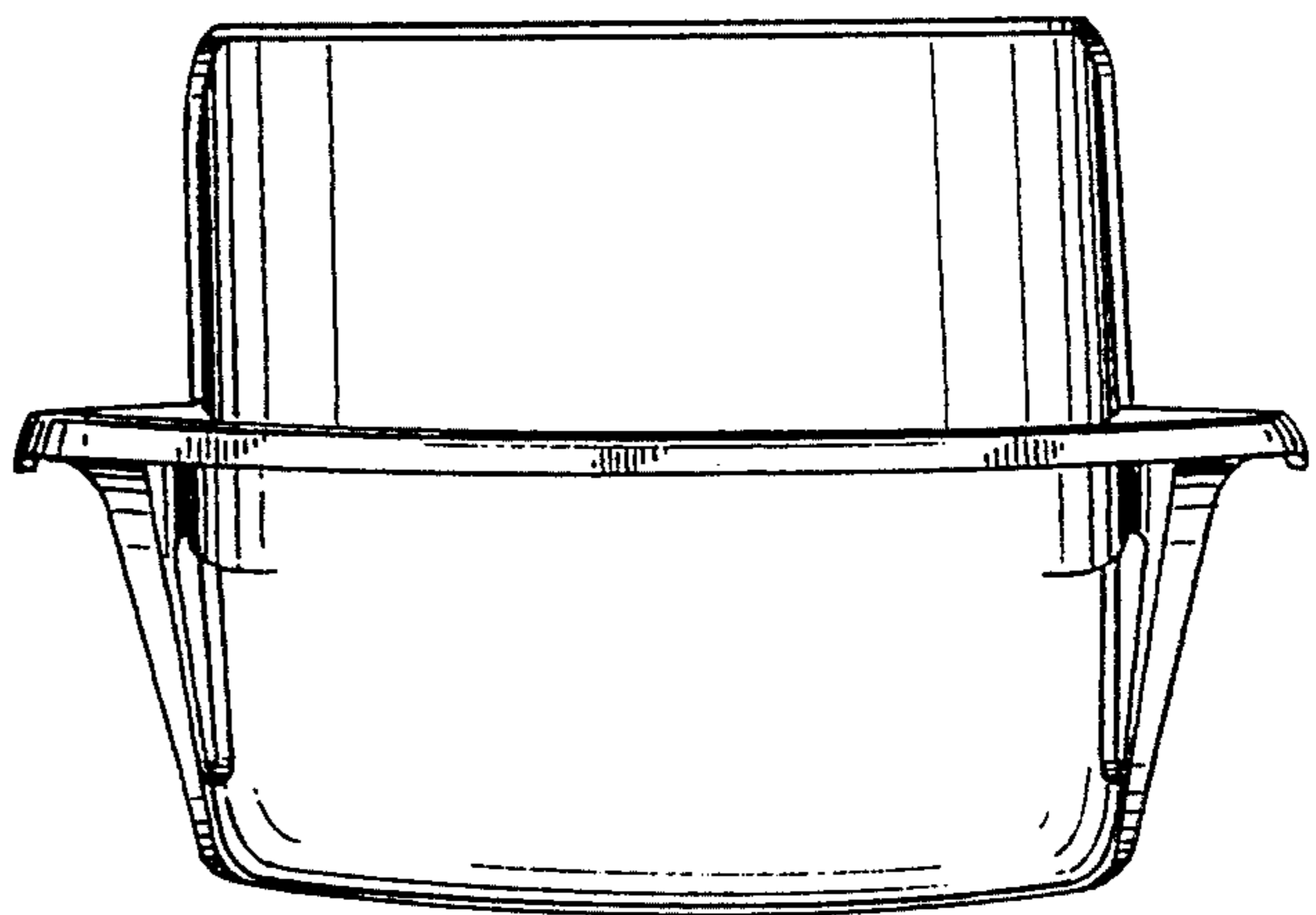


FIG. 13

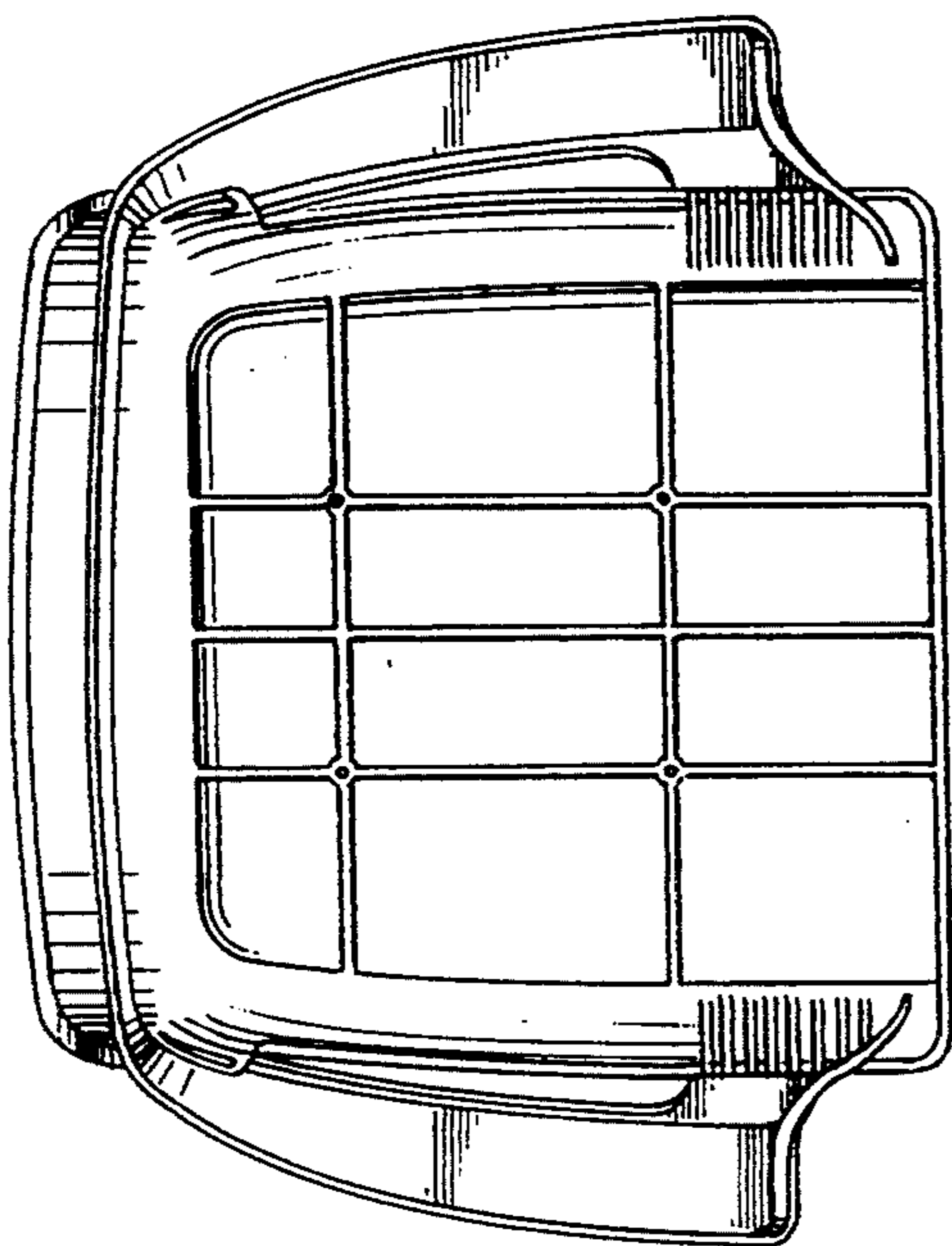


FIG. 14

