



US00D362142S

# United States Patent [19]

[11] Patent Number: **Des. 362,142**

Yu-Chin

[45] Date of Patent: **\*\* Sep. 12, 1995**

[54] **TOY BRICKS TABLE**

[76] Inventor: **Lee Yu-Chin**, No. 21, Lung Tien St., Yung Kang City, Tainan Hsien, Taiwan

[\*\*] Term: **14 Years**

[21] Appl. No.: **16,405**

[22] Filed: **Dec. 16, 1993**

[52] U.S. Cl. .... **D6/484; D6/397**

[58] Field of Search ..... **D6/480-489, D6/495, 349, 511; 108/153, 156, 161, 43, 25, 50, 26; D21/54**

[56] **References Cited**

**U.S. PATENT DOCUMENTS**

D. 223,538	5/1972	Manning	.....	D6/484
D. 318,960	8/1991	Lilly et al.	.....	D6/406
D. 327,185	6/1992	Ryaa	.....	D6/434 X
D. 350,247	9/1994	Buske	.....	D6/349 X
5,218,912	6/1993	Bushe	.....	108/26

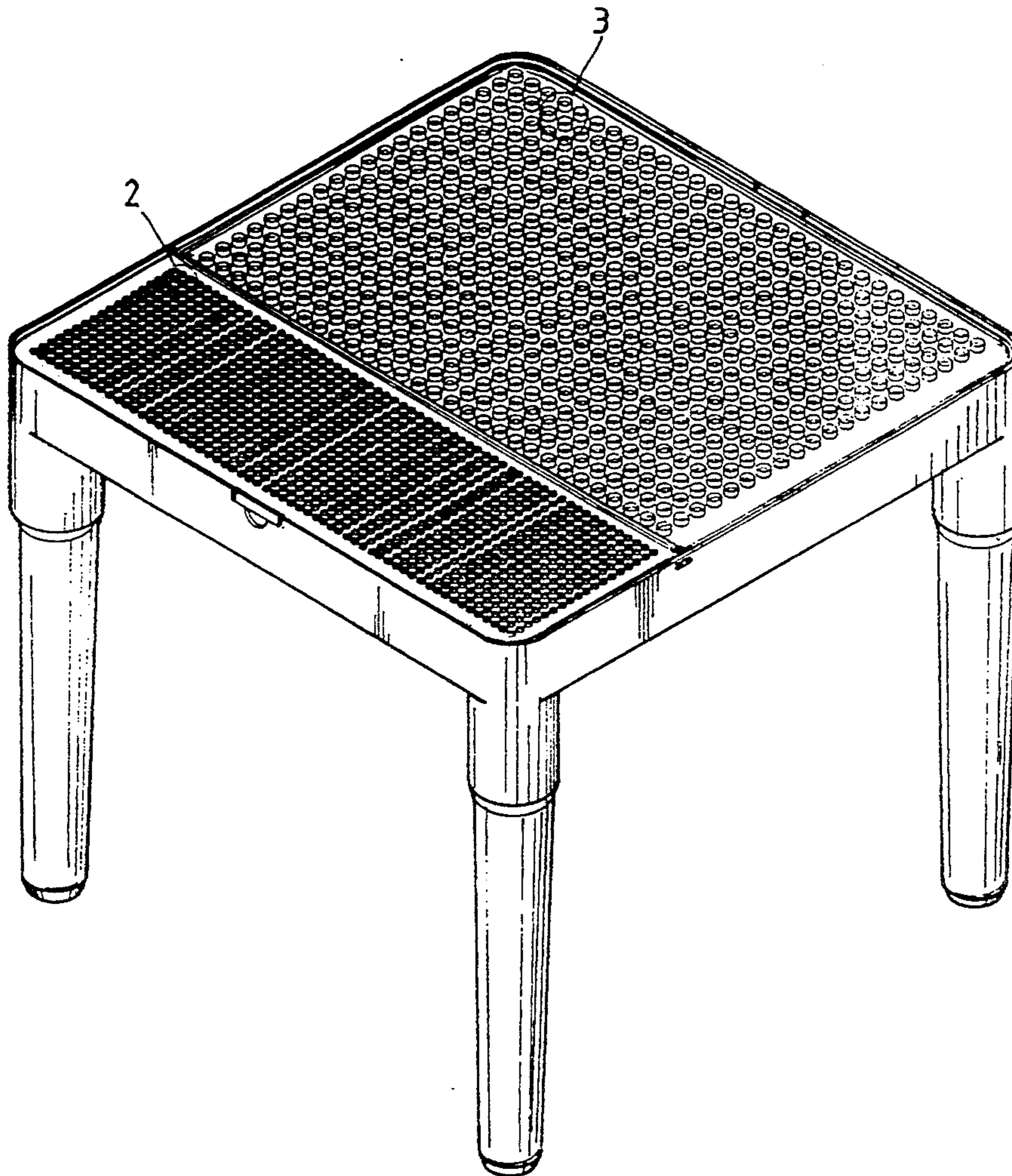
*Primary Examiner*—Janice E. Seeger  
*Attorney, Agent, or Firm*—Morton J. Rosenberg; David I. Klein

[57] **CLAIM**

The ornamental design for a toy bricks table, as shown and described.

**DESCRIPTION**

FIG. 1 is a perspective view of a toy bricks table showing my new design;  
FIG. 2 is an enlarged perspective view of pegs shown in FIG. 1;  
FIG. 3 is an enlarged perspective view of insert members shown in FIG. 1;  
FIG. 4 is a front view thereof;  
FIG. 5 is a rear view thereof;  
FIG. 6 is a left side view thereof;  
FIG. 7 is a right side view thereof;  
FIG. 8 is a top plan view thereof;  
FIG. 9 is a bottom plan view thereof; and,  
FIG. 10 is a perspective view thereof showing the toy bricks table in a partially covered position.



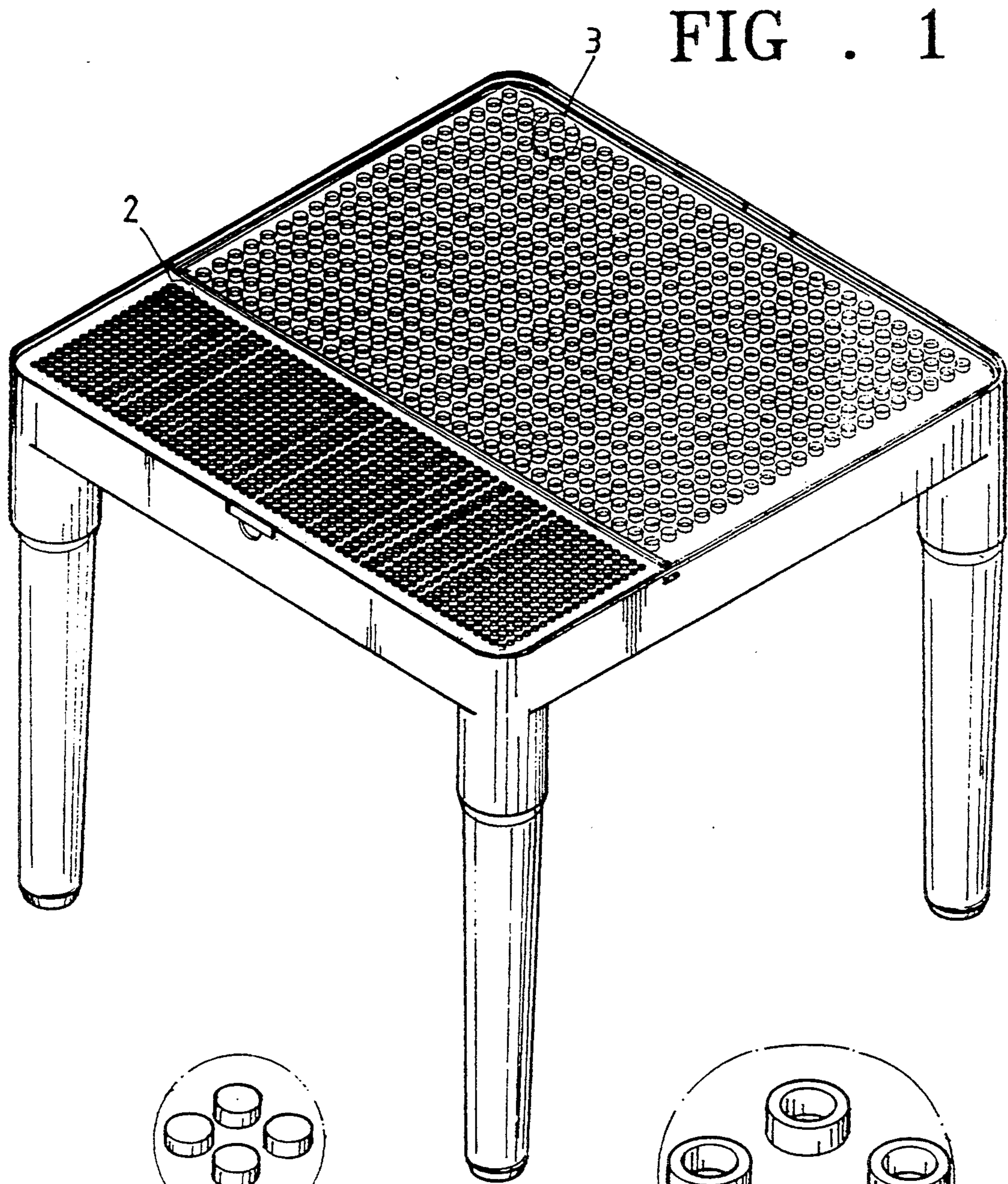


FIG . 1

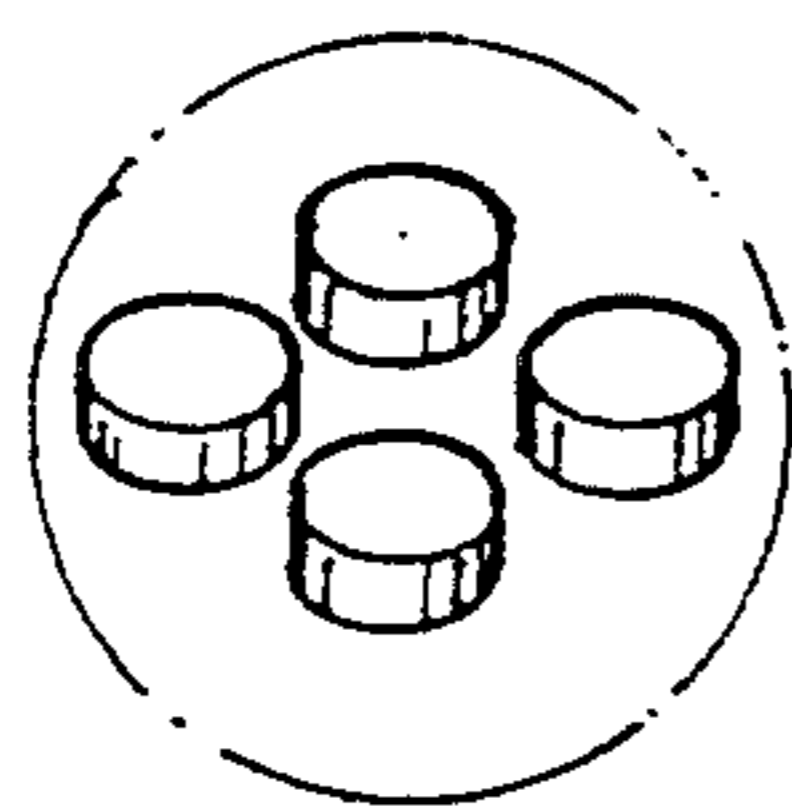


FIG . 2

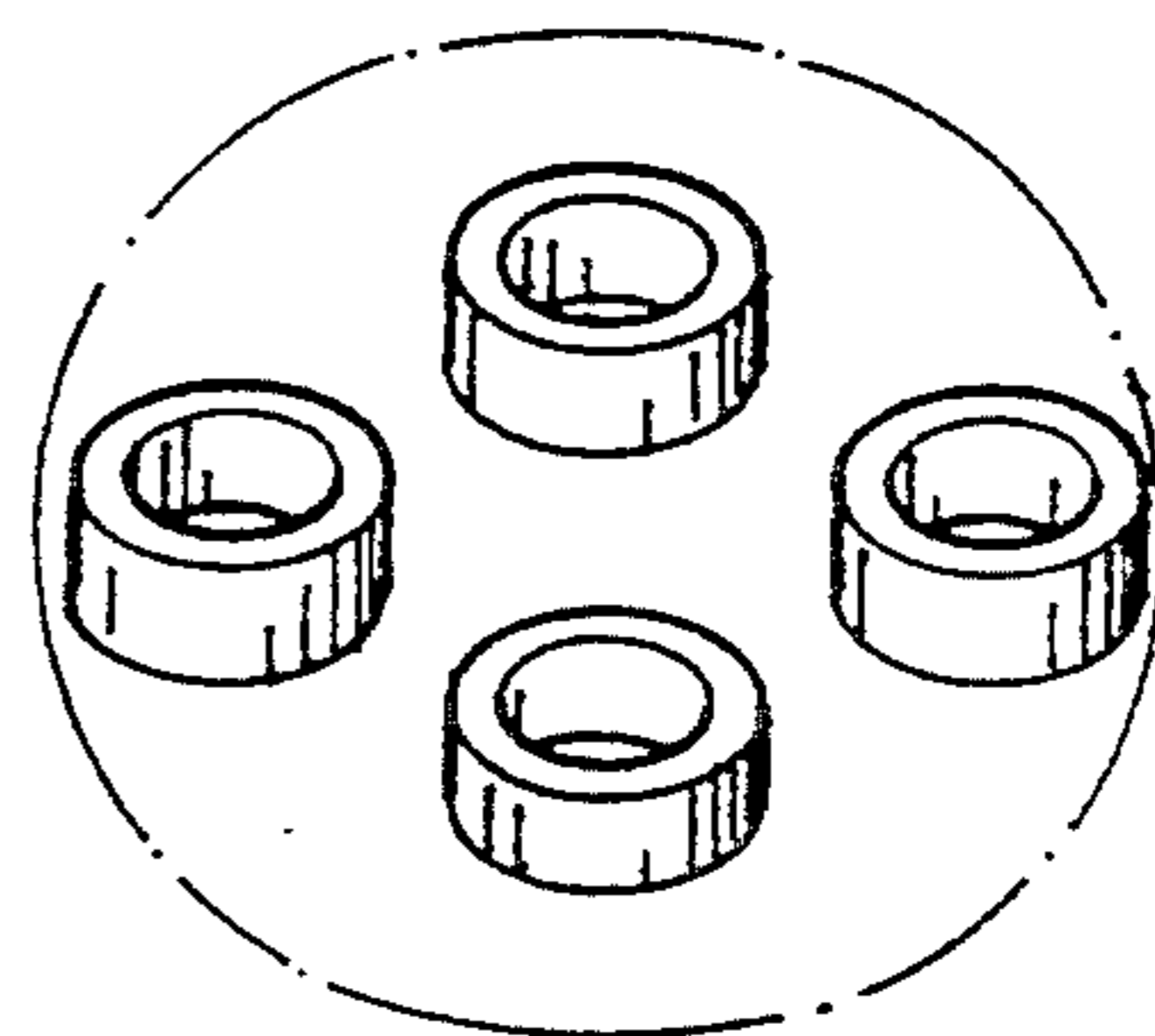


FIG . 3



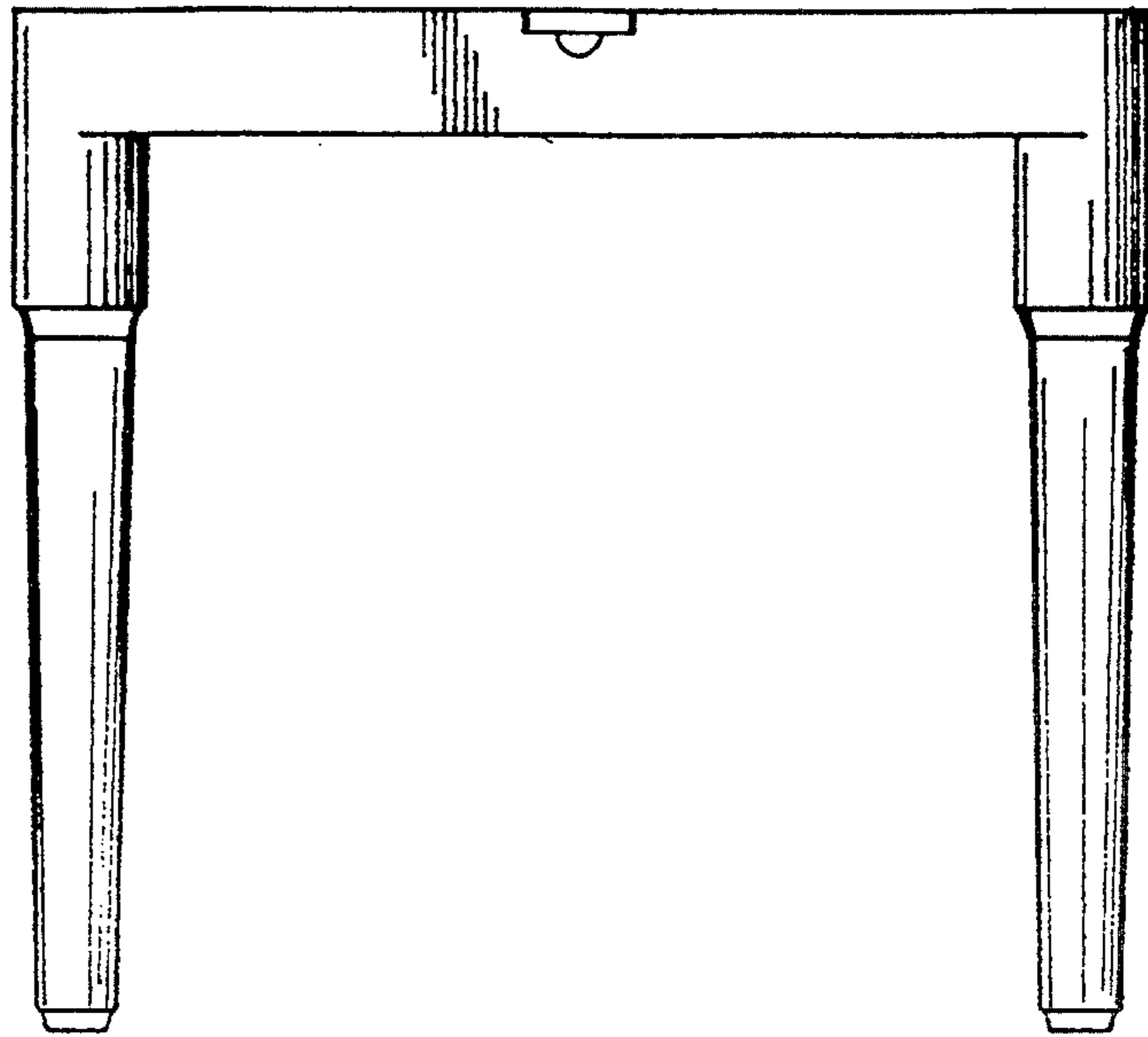


FIG . 4

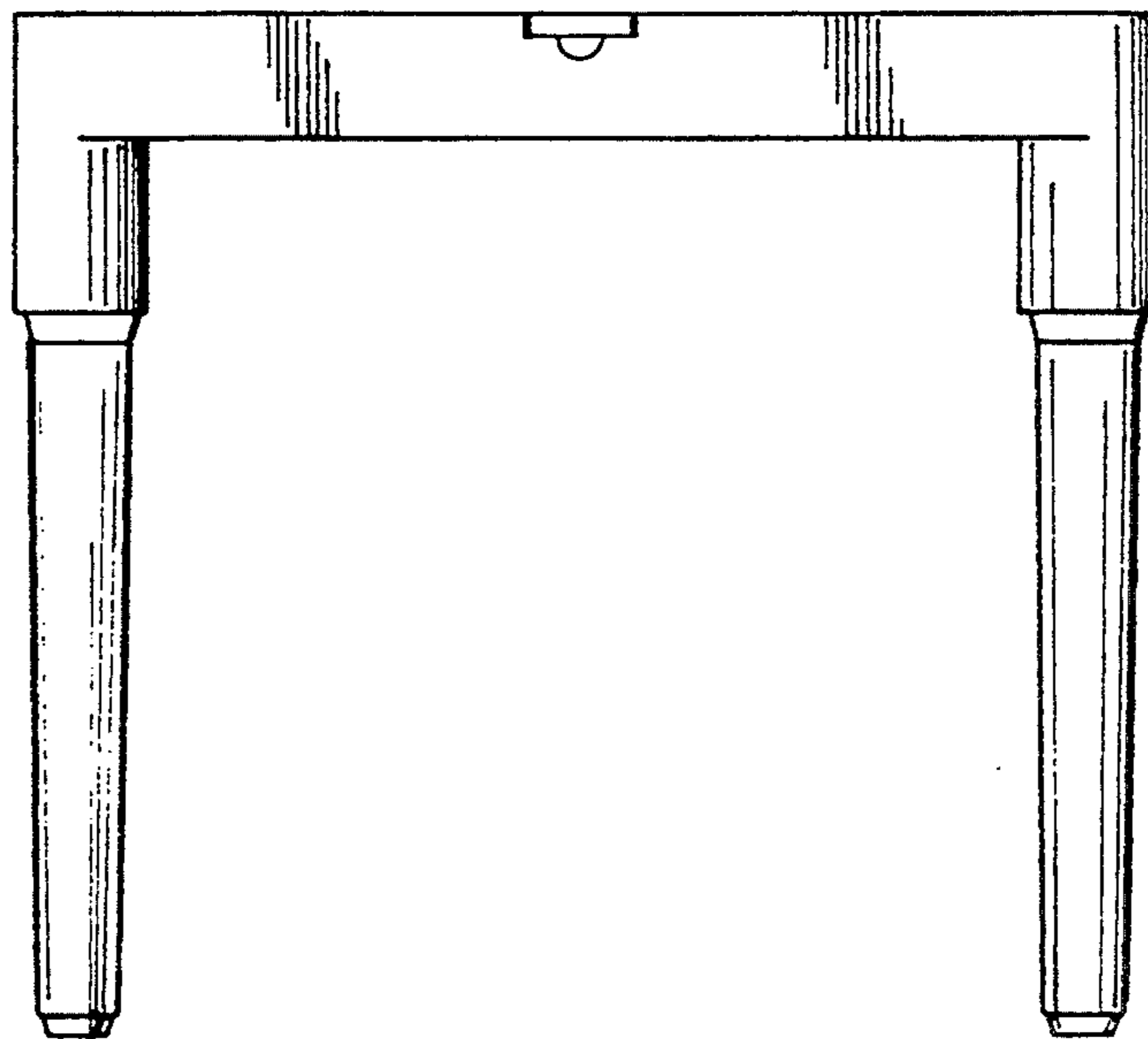


FIG . 5

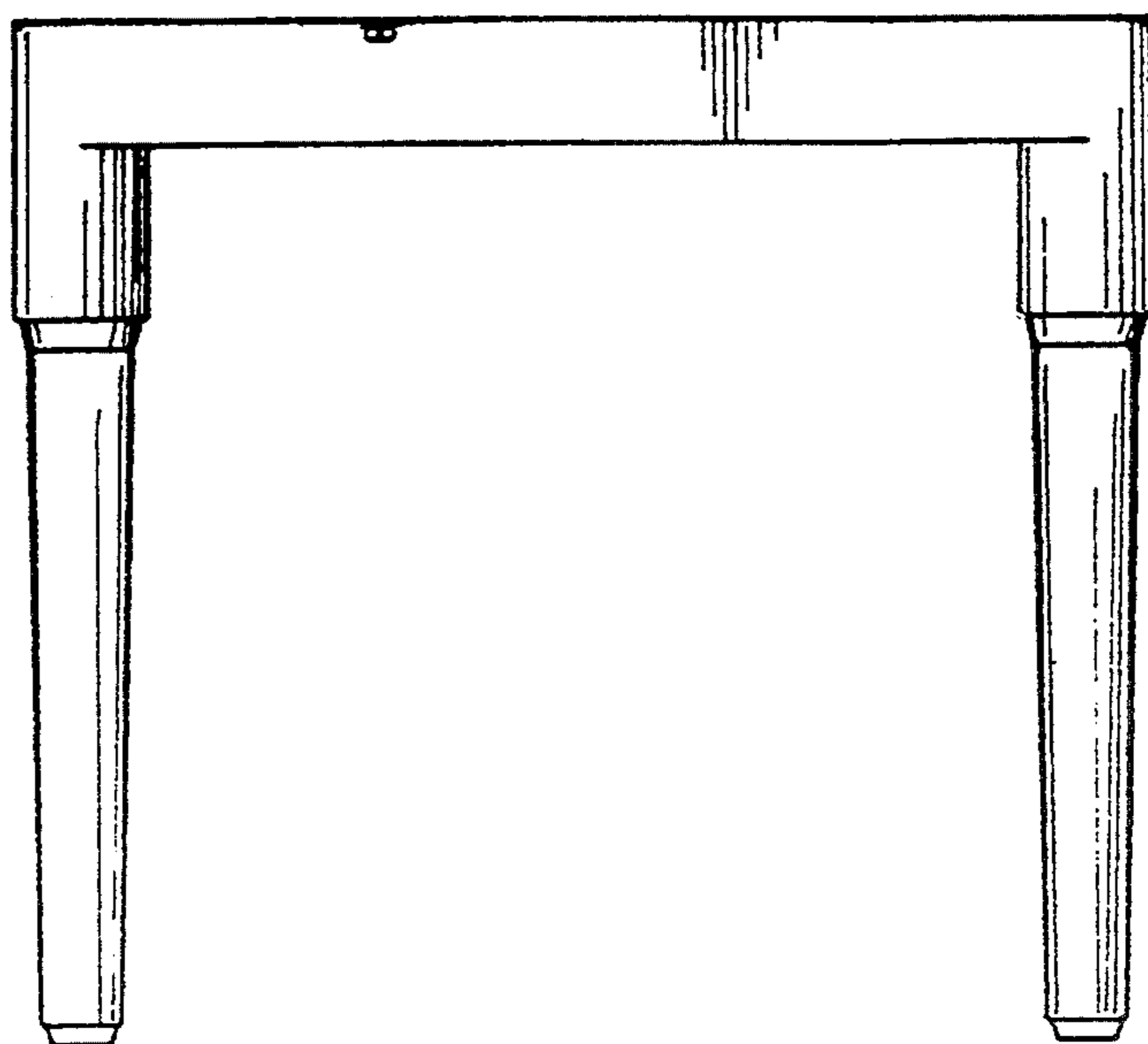


FIG . 6

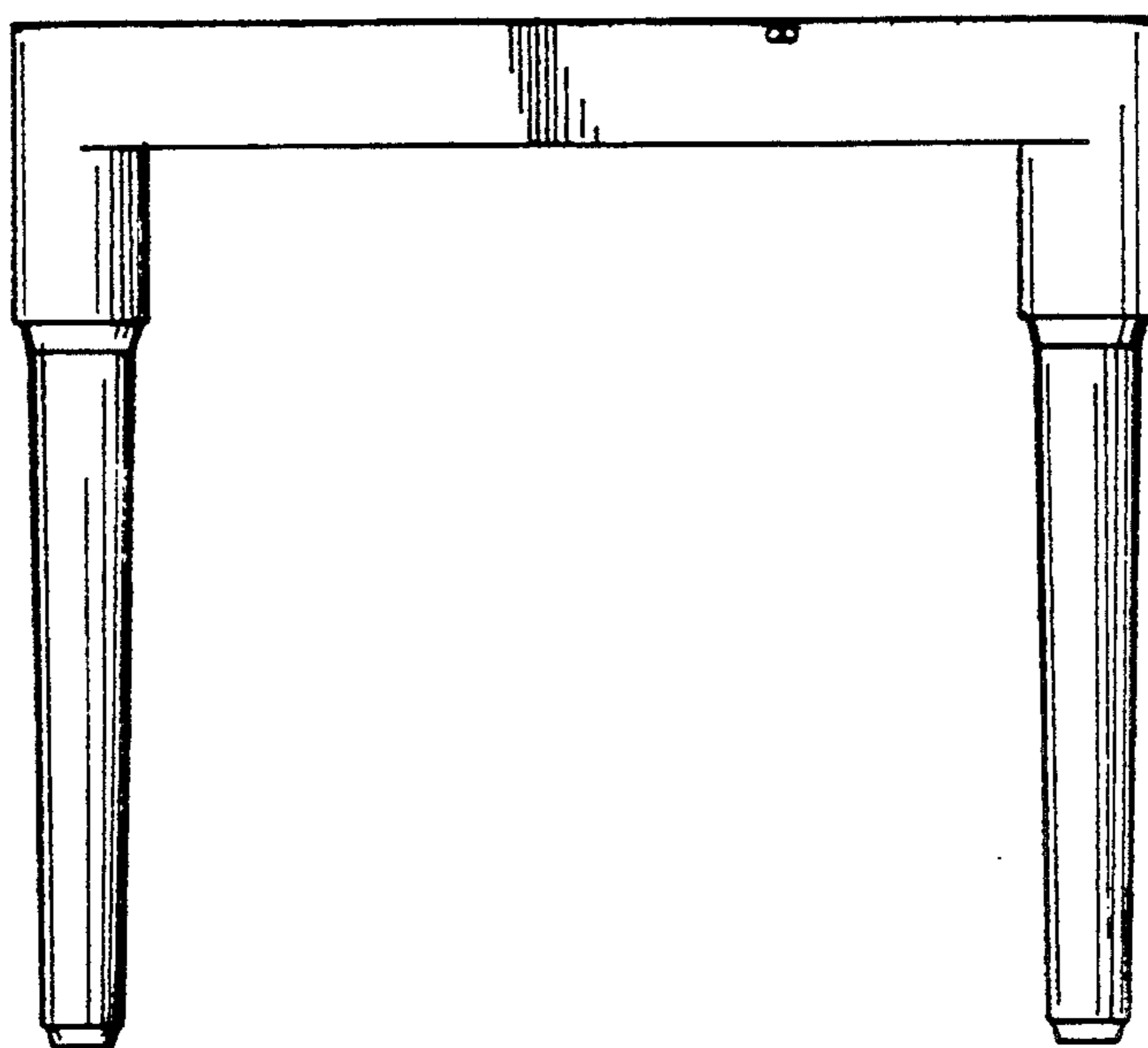


FIG . 7

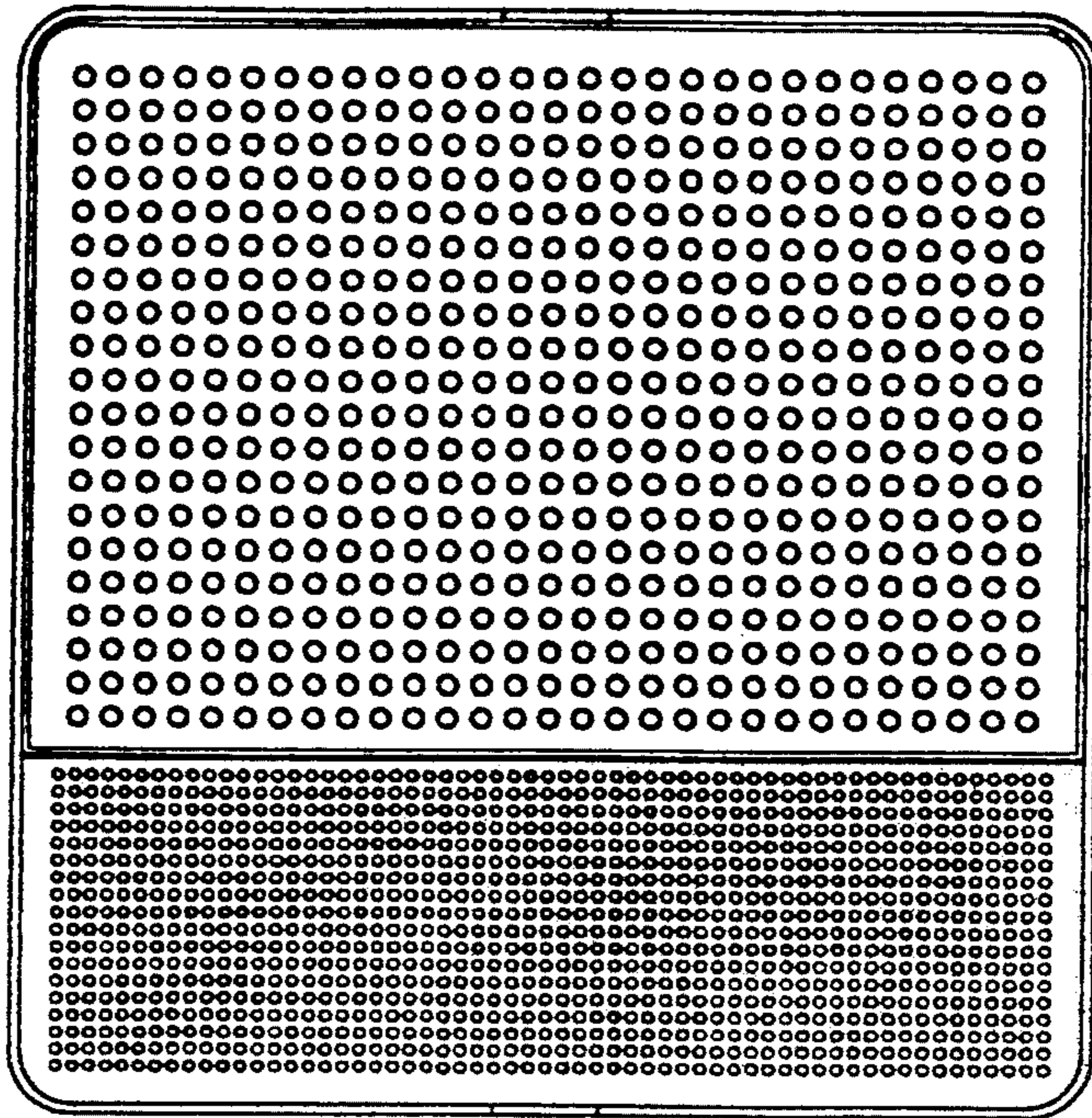


FIG . 8

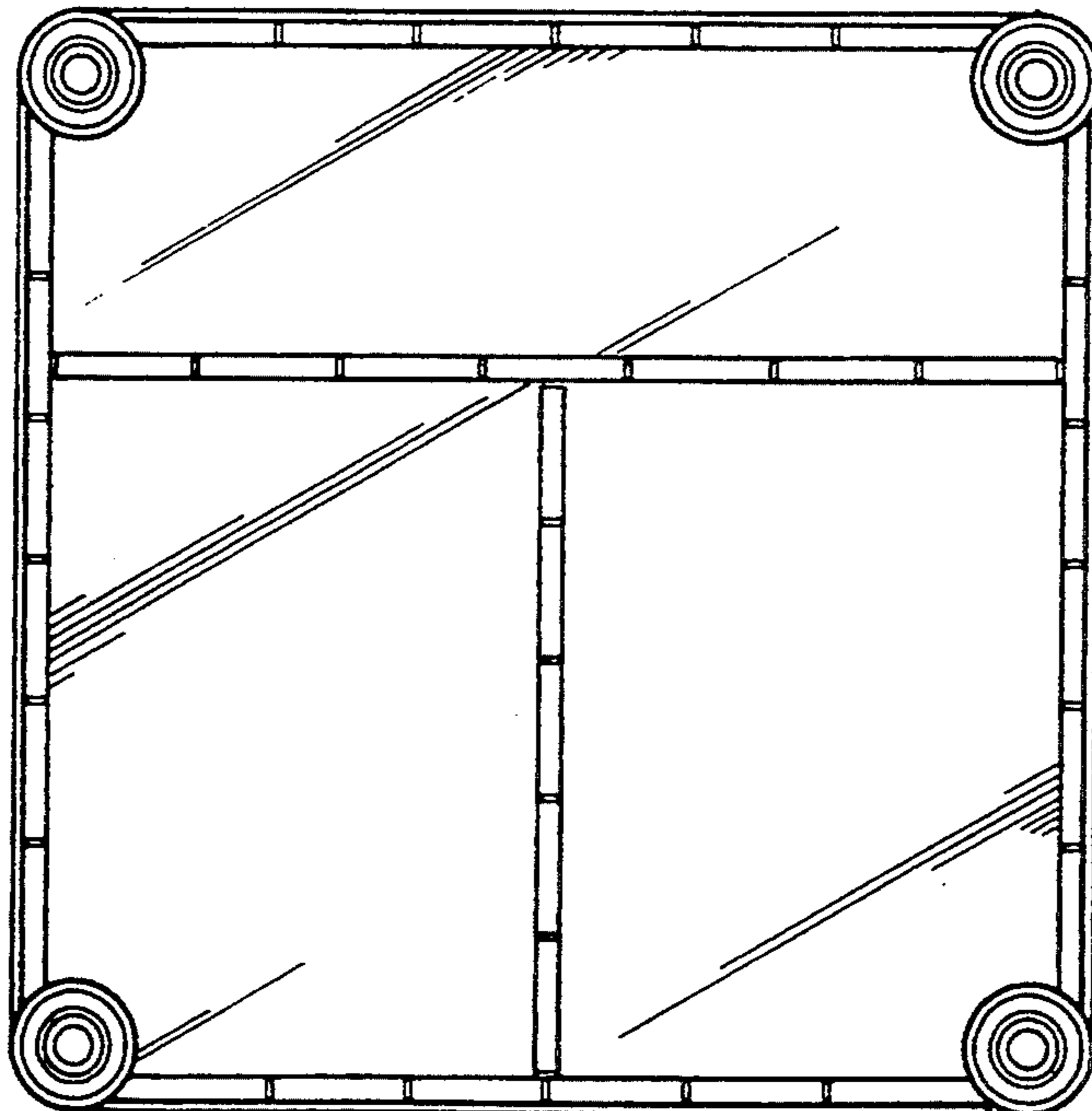


FIG . 9

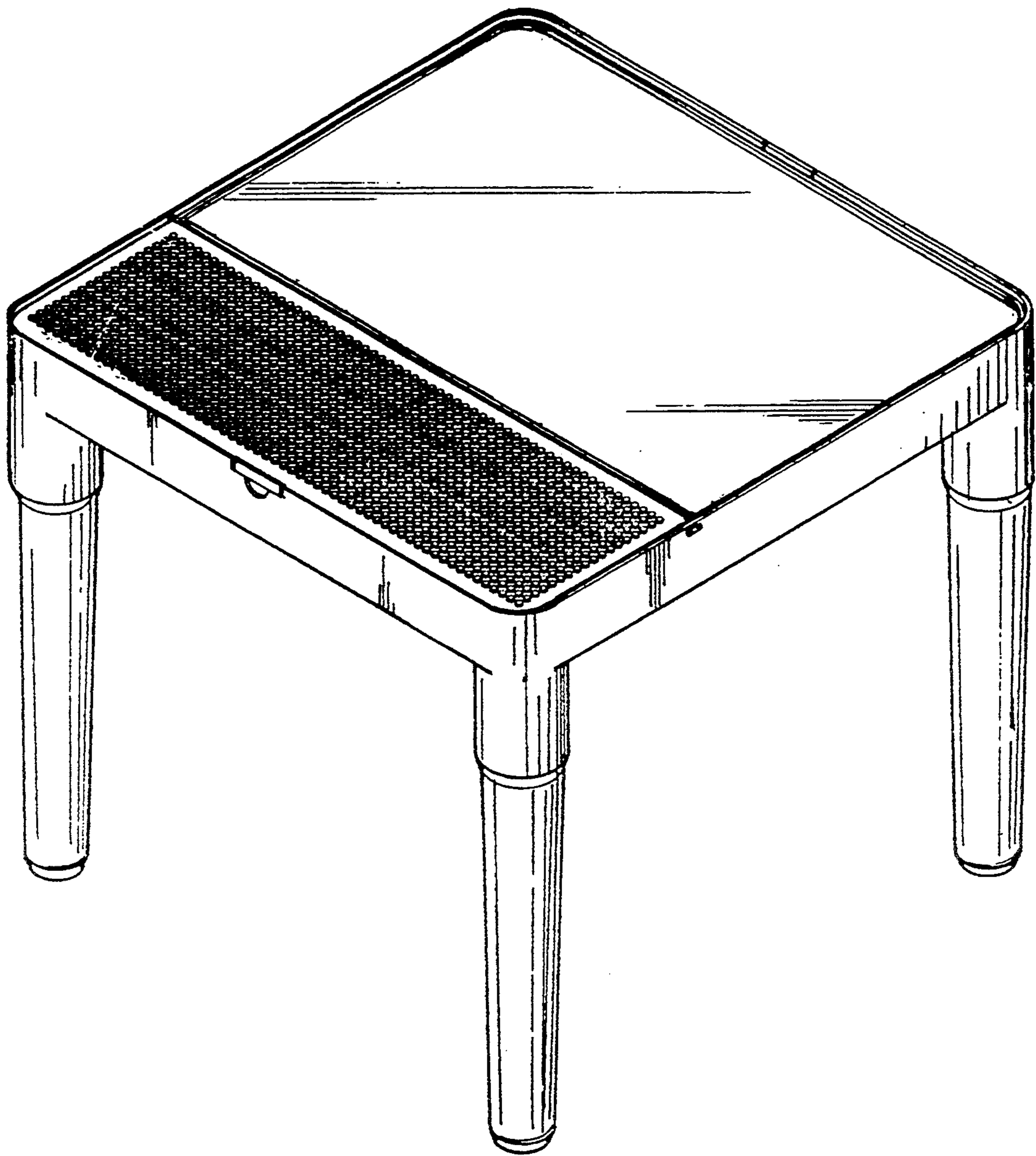


FIG . 10