



US00D362138S

United States Patent [19]

[11] Patent Number: **Des. 362,138**

Sagol

[45] Date of Patent: **** Sep. 12, 1995**

[54] MODULAR SHELF STAND

[75] Inventor: **Sami Sagol, Ramat Hasheron, Israel**

[73] Assignee: **Keter Plastic Limited, Jaffa, Israel**

[**] Term: **14 Years**

[21] Appl. No.: **17,652**

[22] Filed: **Jan. 19, 1994**

[30] Foreign Application Priority Data

Jul. 19, 1993 [IL] Israel 21130

[52] U.S. Cl. **D6/479**

[58] Field of Search D6/365, 396, 403, 405,
D6/406, 407, 449, 455, 456, 458, 461, 462, 465,
477-479, 487-488, 511, 525; 108/59, 91, 106,
153, 161; 211/34, 42, 49.1, 181, 182; 248/163.1,
218.4; D25/65, 68

[56] References Cited

U.S. PATENT DOCUMENTS

D. 201,370	6/1965	Benjamin	D6/511
D. 240,377	7/1976	Goulder	D6/461
D. 291,165	8/1987	Ray	D6/465
D. 300,252	3/1989	Schmitt	D25/68
2,944,780	7/1960	Monk	248/218.4
4,815,394	3/1989	Ettlinger et al.	D6/511

FOREIGN PATENT DOCUMENTS

1481295 4/1967 France 108/59

Primary Examiner—Alan P. Douglas
Assistant Examiner—Cathron B. Matta
Attorney, Agent, or Firm—Reising, Ethington, Barnard,
and Perry

[57] CLAIM

The ornamental design for a modular shelf stand, as shown and described.

DESCRIPTION

FIG. 1 is a perspective view of a modular shelf stand showing my new design;

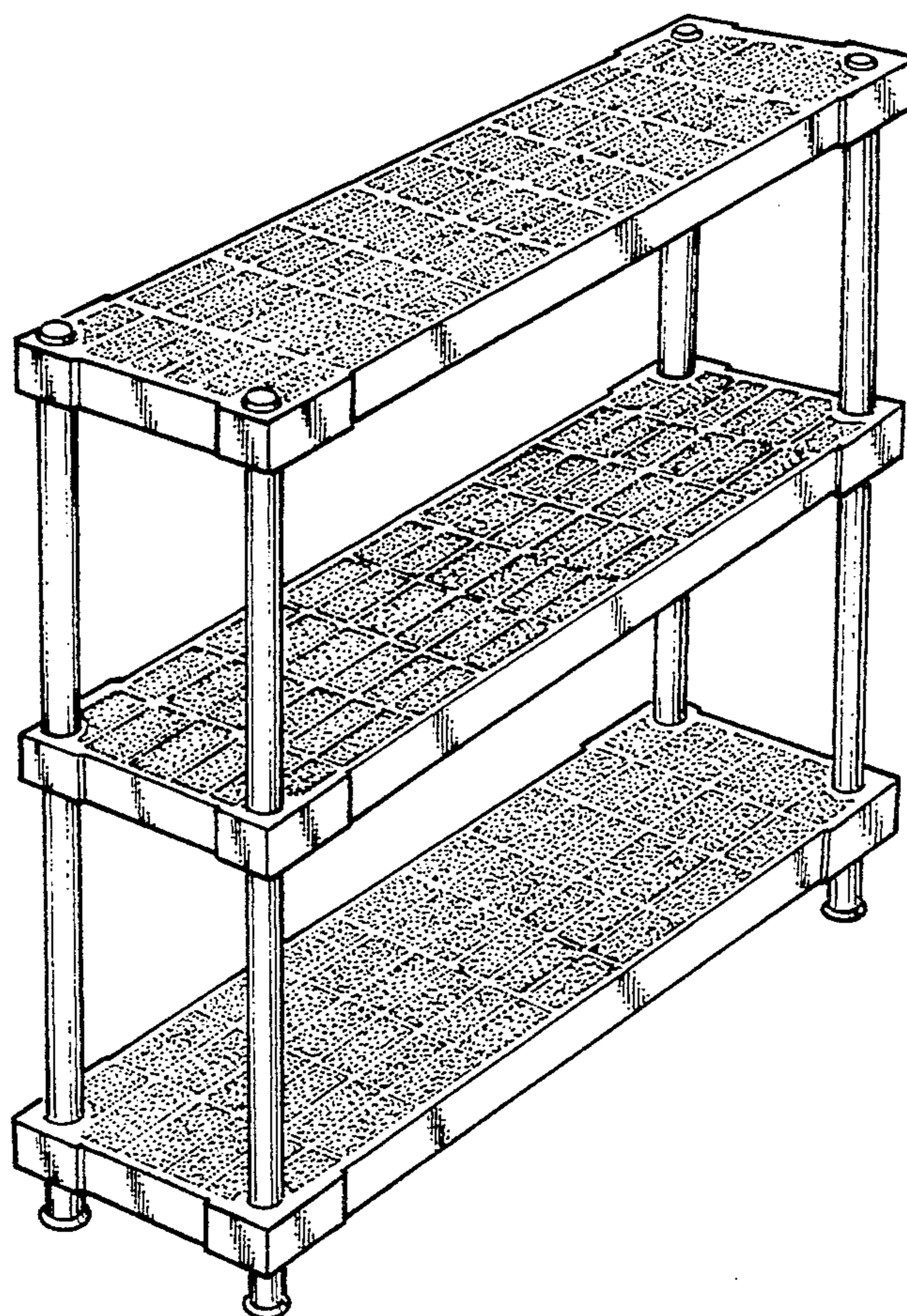
FIG. 2 is a top plan view thereof, with the surface shading partially shown for ease of illustration;

FIG. 3 is a front elevational view thereof, the rear being identical thereto;

FIG. 4 is a side elevational view thereof;

FIG. 5 is a bottom plan view thereof; and,

FIG. 6 is a view similar to FIG. 3 that incorporates the shelves shown in FIGS. 1-5 and further illustrates a second embodiment with four shelves, with an additional fifth shelf shown in broken lines for illustrative purposes only. This broken line showing of a shelf forms no part of the claimed design.



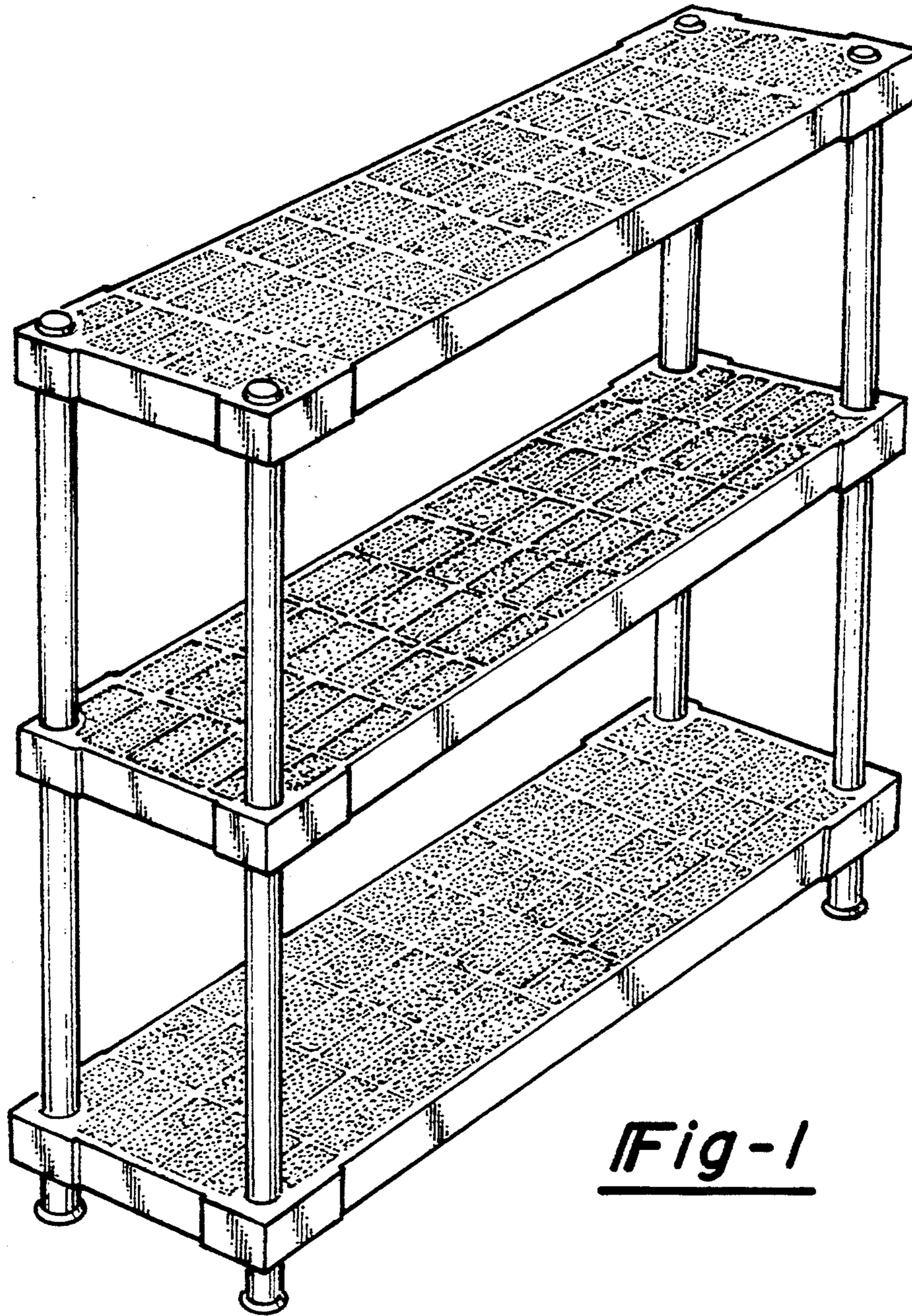


Fig-1

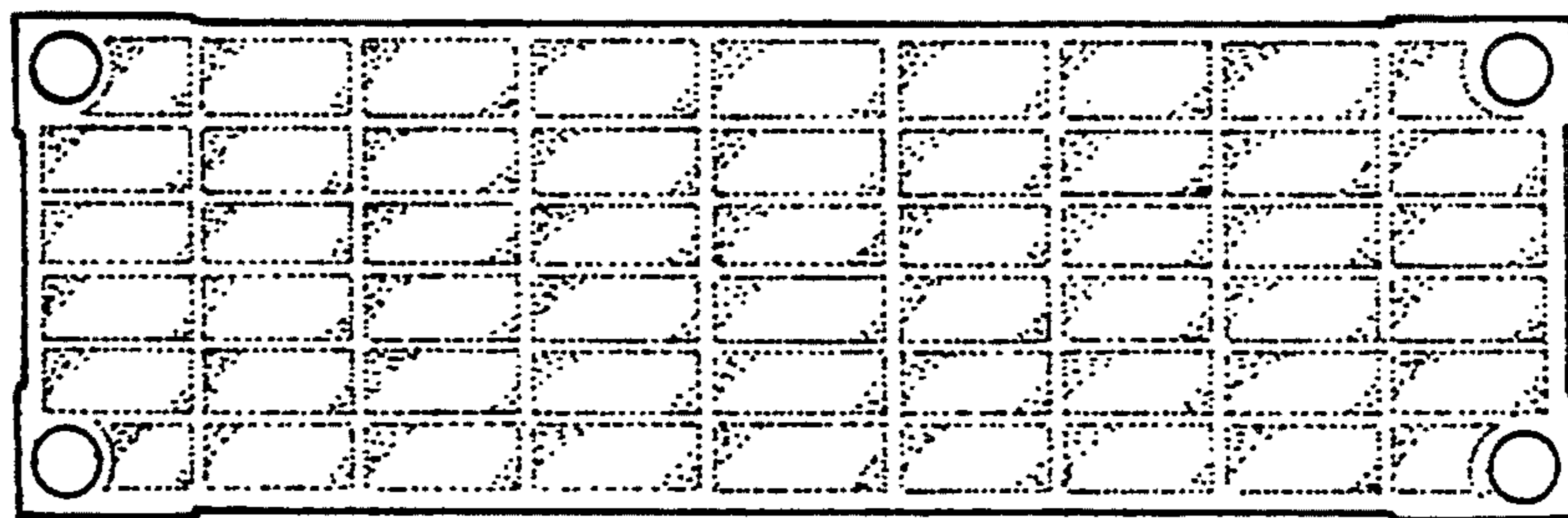


Fig-2

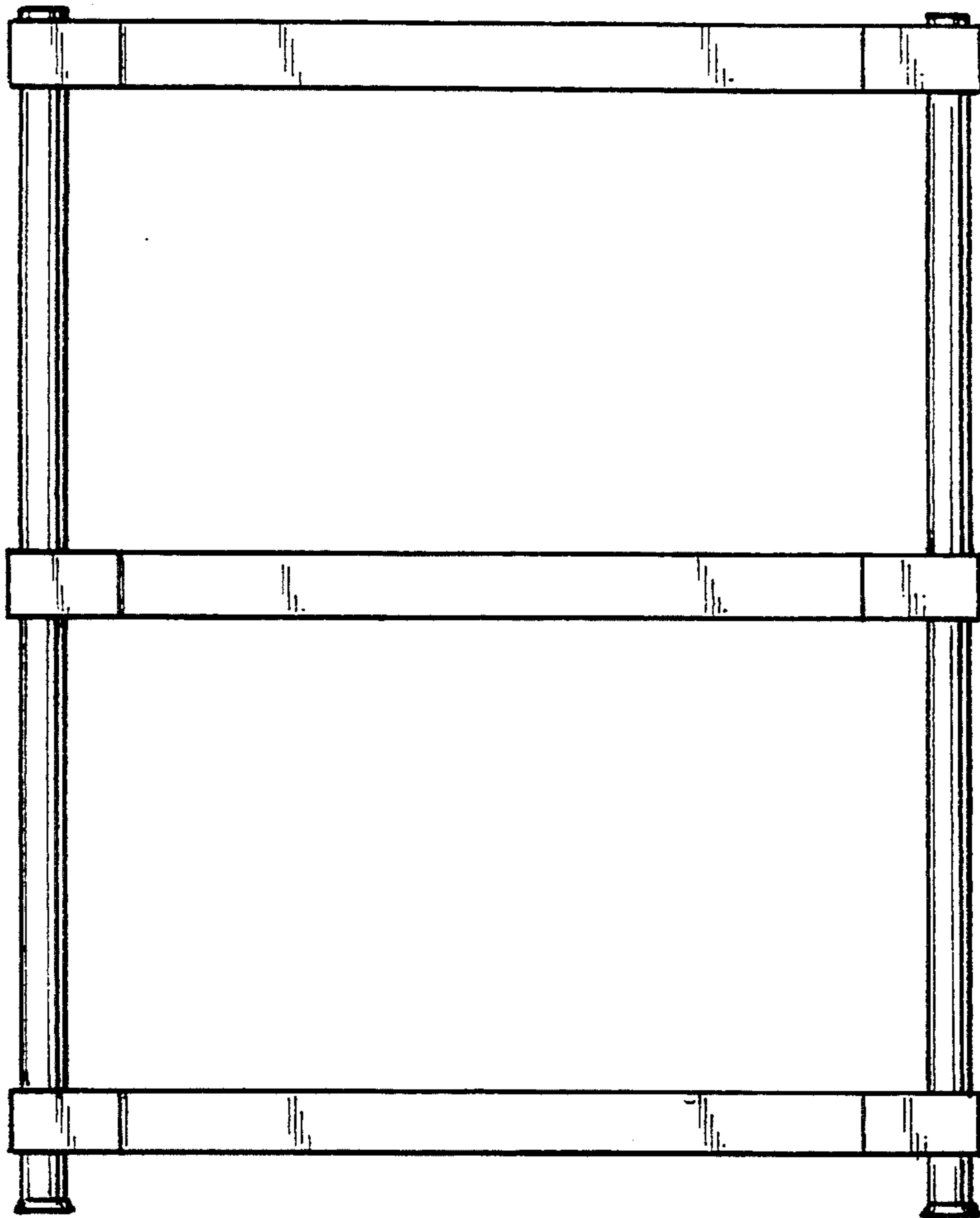


Fig-3

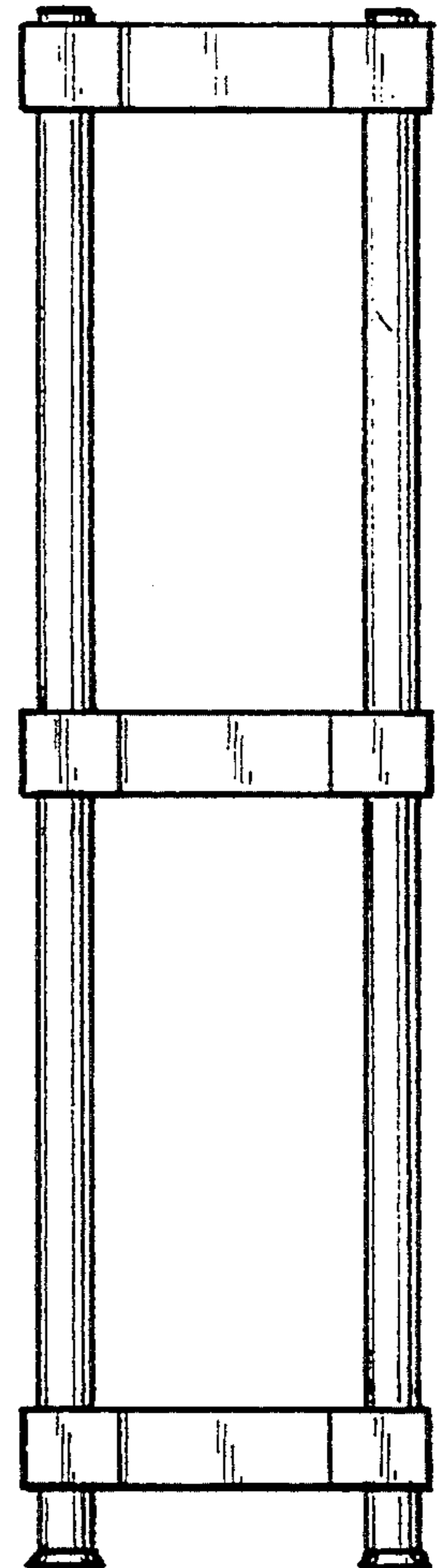


Fig-4

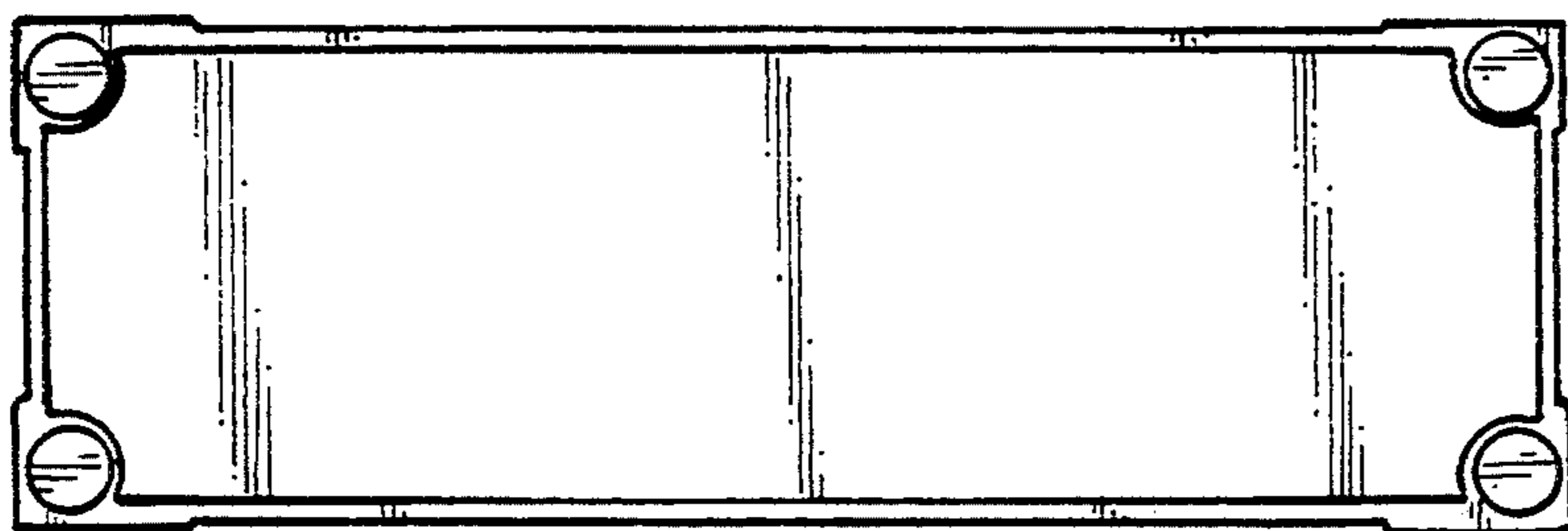


Fig-5

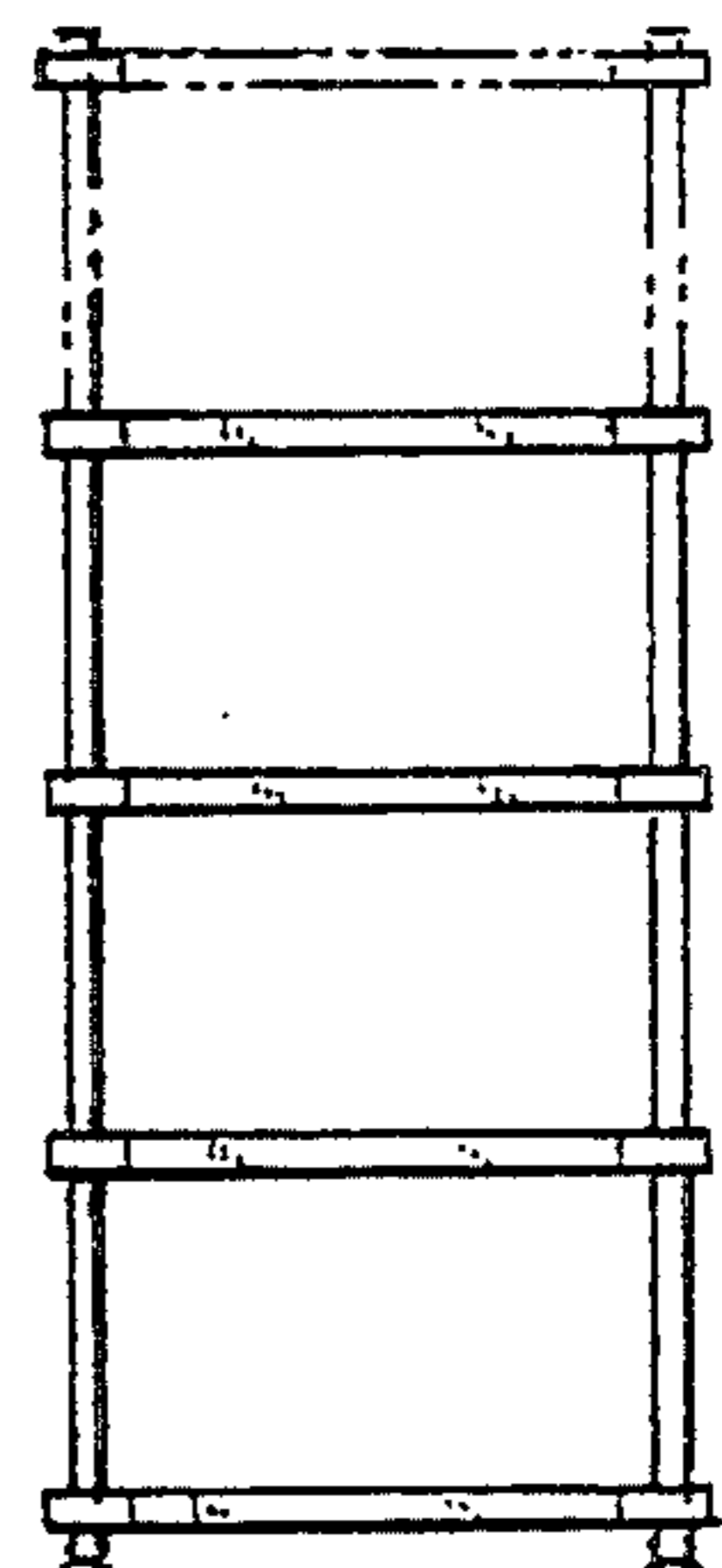


Fig-6