



US00D362136S

# United States Patent [19] Chang

[11] Patent Number: **Des. 362,136**

[45] Date of Patent: **\*\* Sep. 12, 1995**

[54] **TABLE**

[76] Inventor: **David Chang**, Floor 12-6, No. 1, Sec 1, Chung Hua Rd., Taichung, Taiwan

[\*\*] Term: **14 Years**

[21] Appl. No.: **9,050**

[22] Filed: **Jun. 4, 1993**

[52] U.S. Cl. .... **D6/474; D6/429**

[58] Field of Search ..... **D6/396, 399, 429-431, D6/449, 450, 451, 466-469, 473-476, 400, 425, 426; 211/134, 135**

[56] **References Cited**

**U.S. PATENT DOCUMENTS**

D. 166,991	6/1952	Ovendale	.....	D6/474	X
D. 288,637	3/1987	Winzeler, III	.....	D6/474	
D. 288,996	3/1987	Winzeler, III	.....	D6/474	
D. 294,666	3/1988	Favaretto et al.	.....	D6/426	X
D. 303,879	10/1989	Williams	.....	D6/429	X
D. 321,102	10/1991	Newhouse	.....	D6/426	X
382,617	5/1888	Merithew	.....	211/134	X

**OTHER PUBLICATIONS**

Shoner Wohnen Mag. Jan. 1989, p. 72—"Roll-IT"-D6/474.

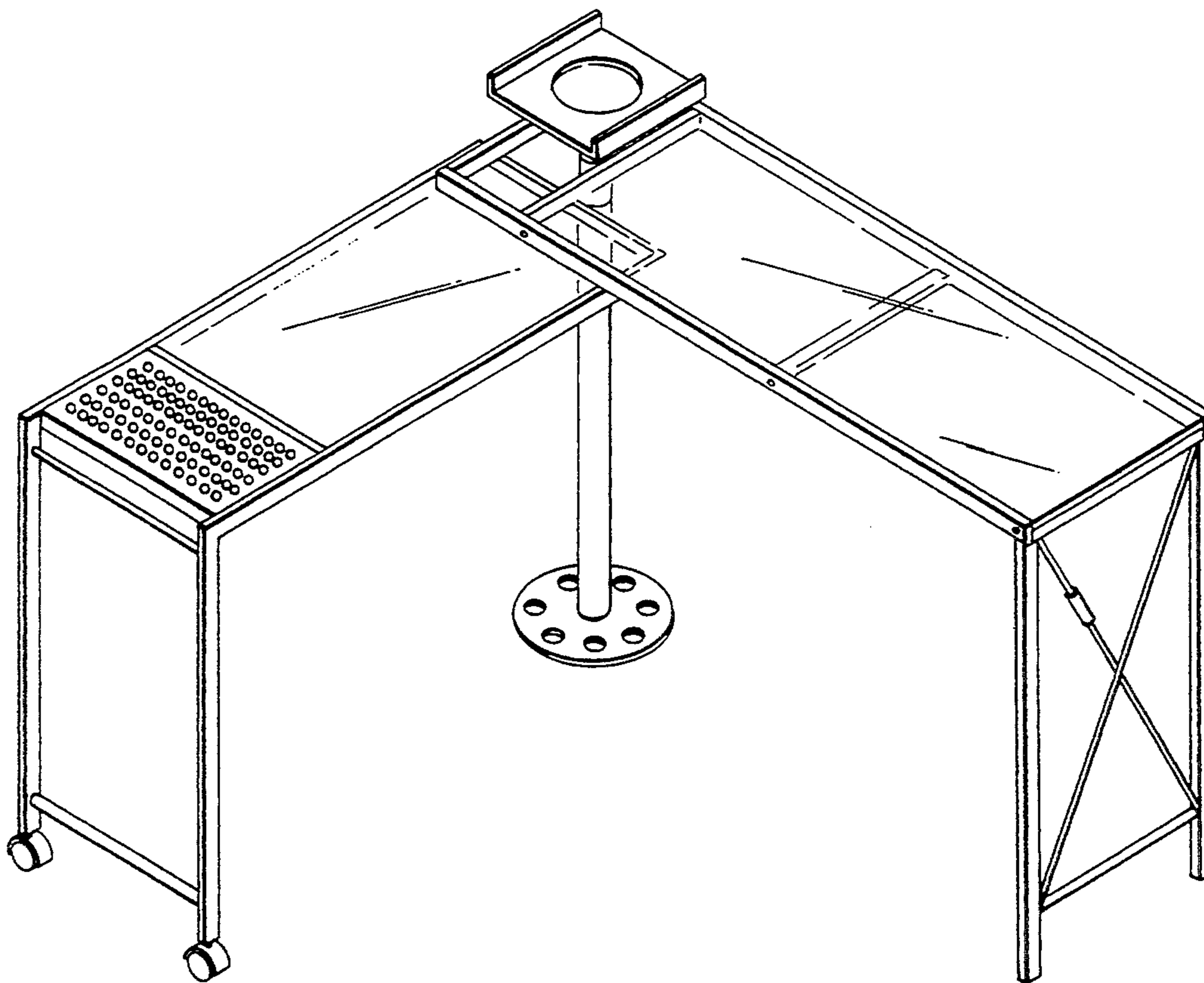
*Primary Examiner*—Alan P. Douglas  
*Assistant Examiner*—S. Snapp  
*Attorney, Agent, or Firm*—Browdy and Neimark

[57] **CLAIM**

The ornamental design for a table, as shown and described.

**DESCRIPTION**

FIG. 1 is a perspective view of the table showing my new design;  
FIG. 2 is a front elevational view of the table showing my new design;  
FIG. 3 is a rear elevational view of the table showing my new design;  
FIG. 4 is a left elevational view of the table showing my new design;  
FIG. 5 is a right elevational view of the table showing my new design;  
FIG. 6 is a top plan view of the table showing my new design;  
FIG. 7 is a bottom plan view of the table showing my new design; and,  
FIG. 8 is a perspective view of the table shown in an alternate position.



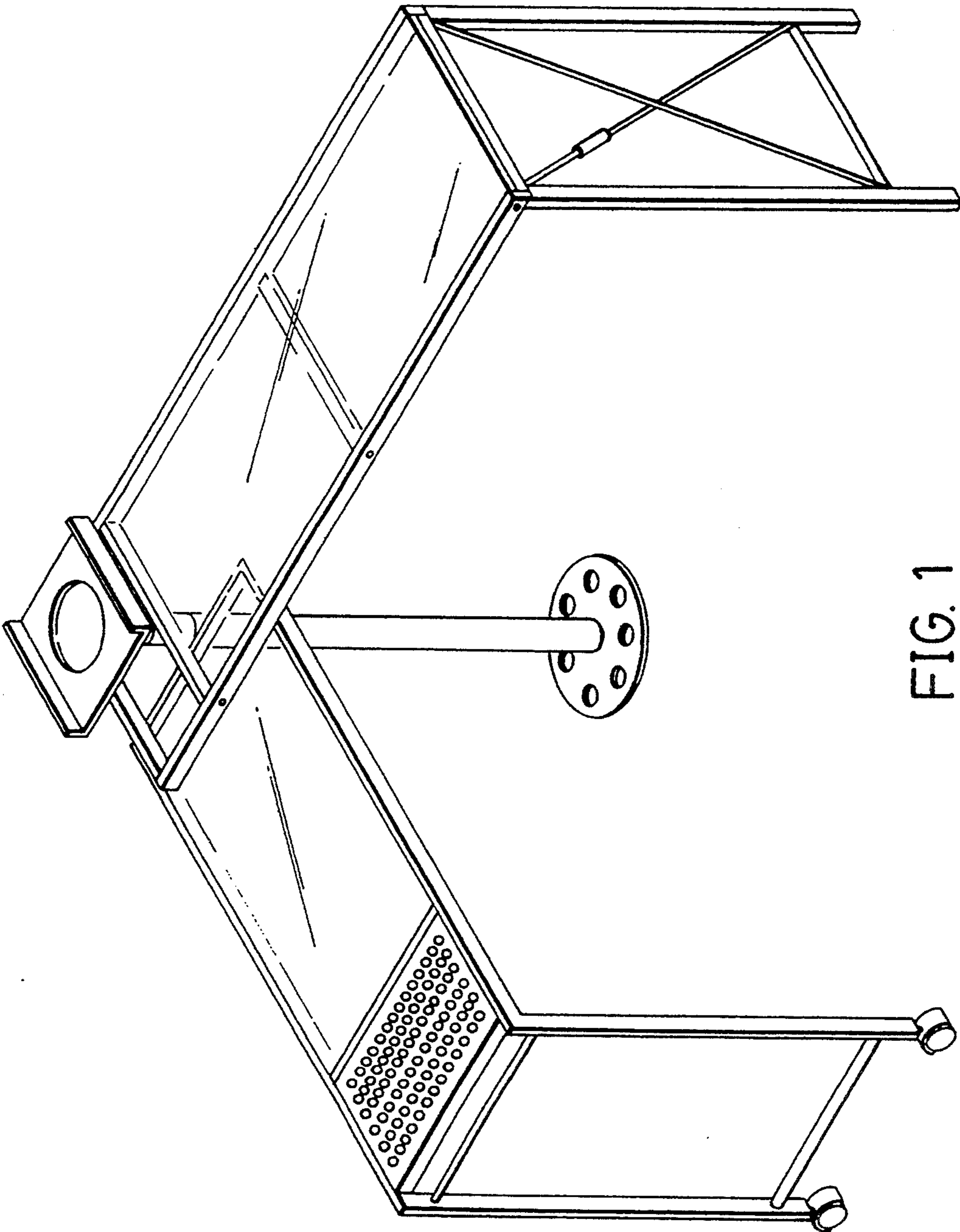


FIG. 1

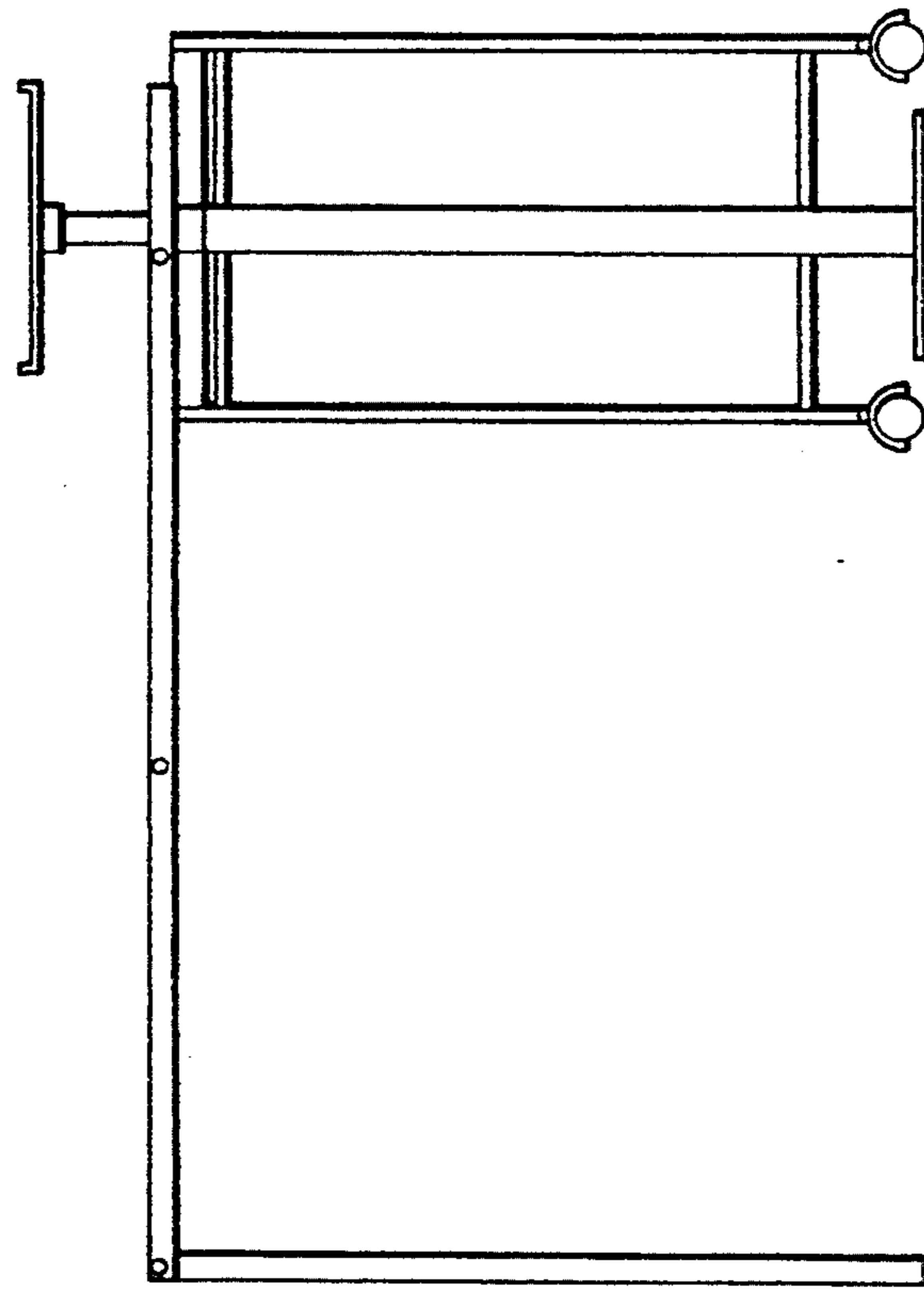


FIG. 3

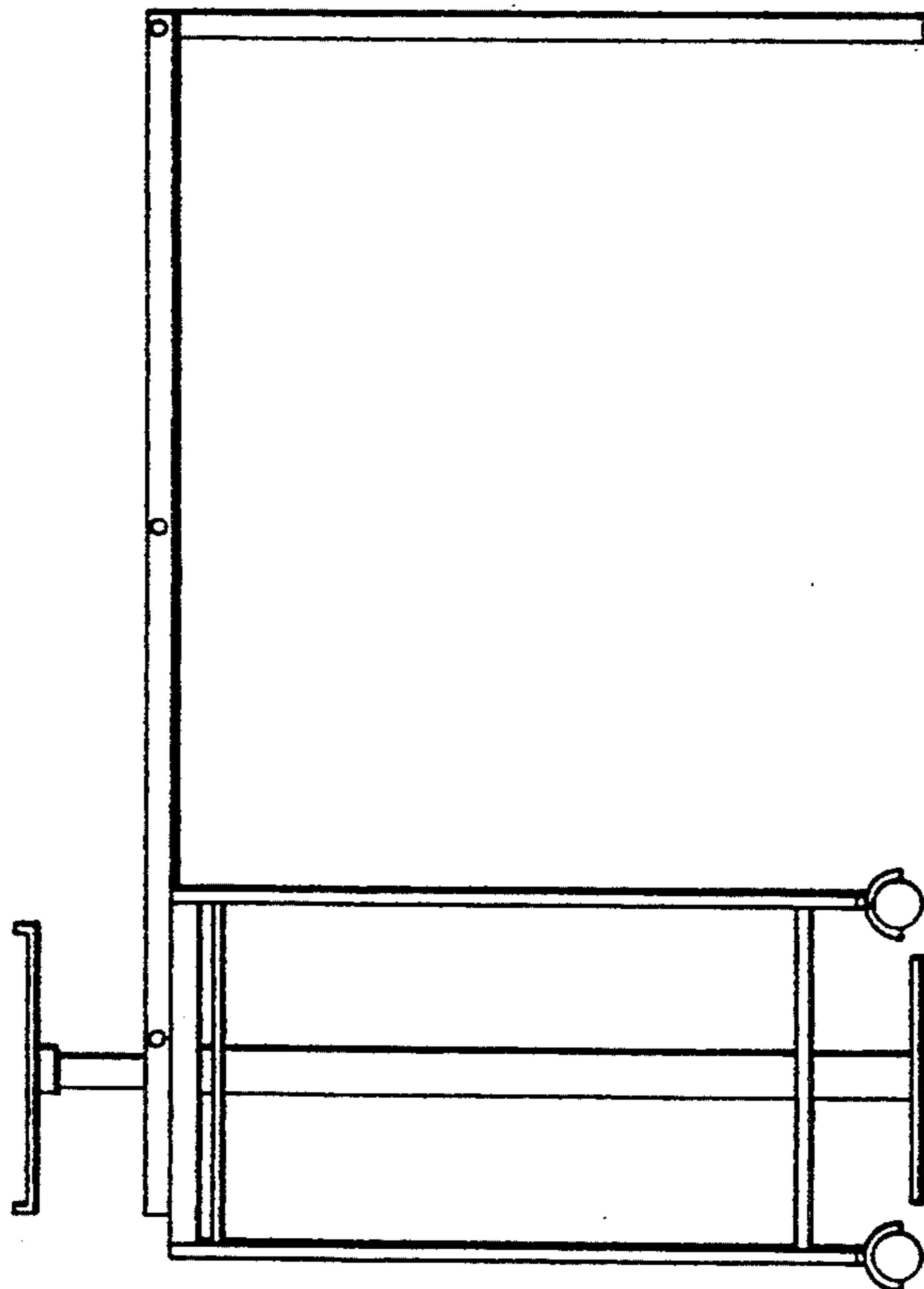


FIG. 2

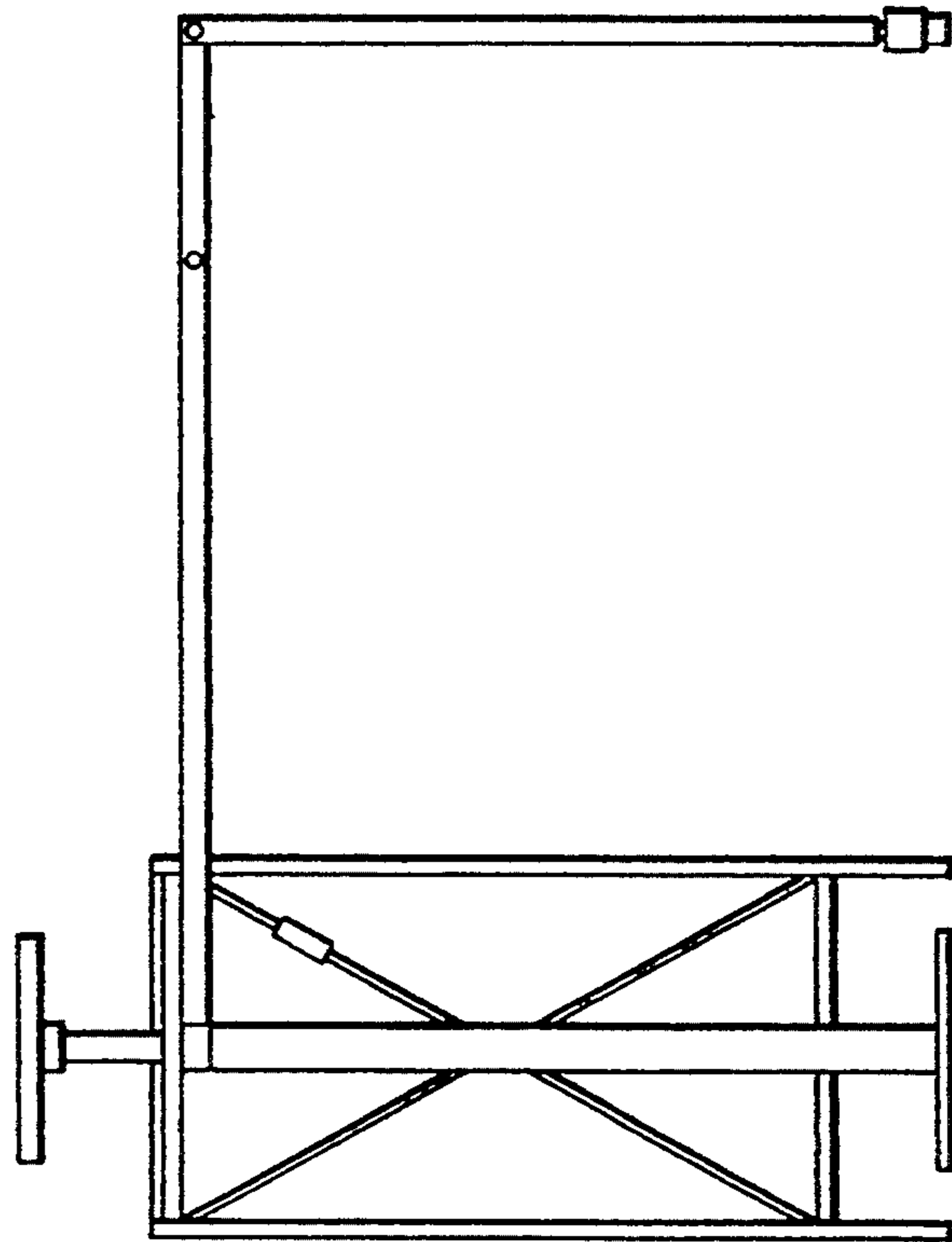


FIG. 4

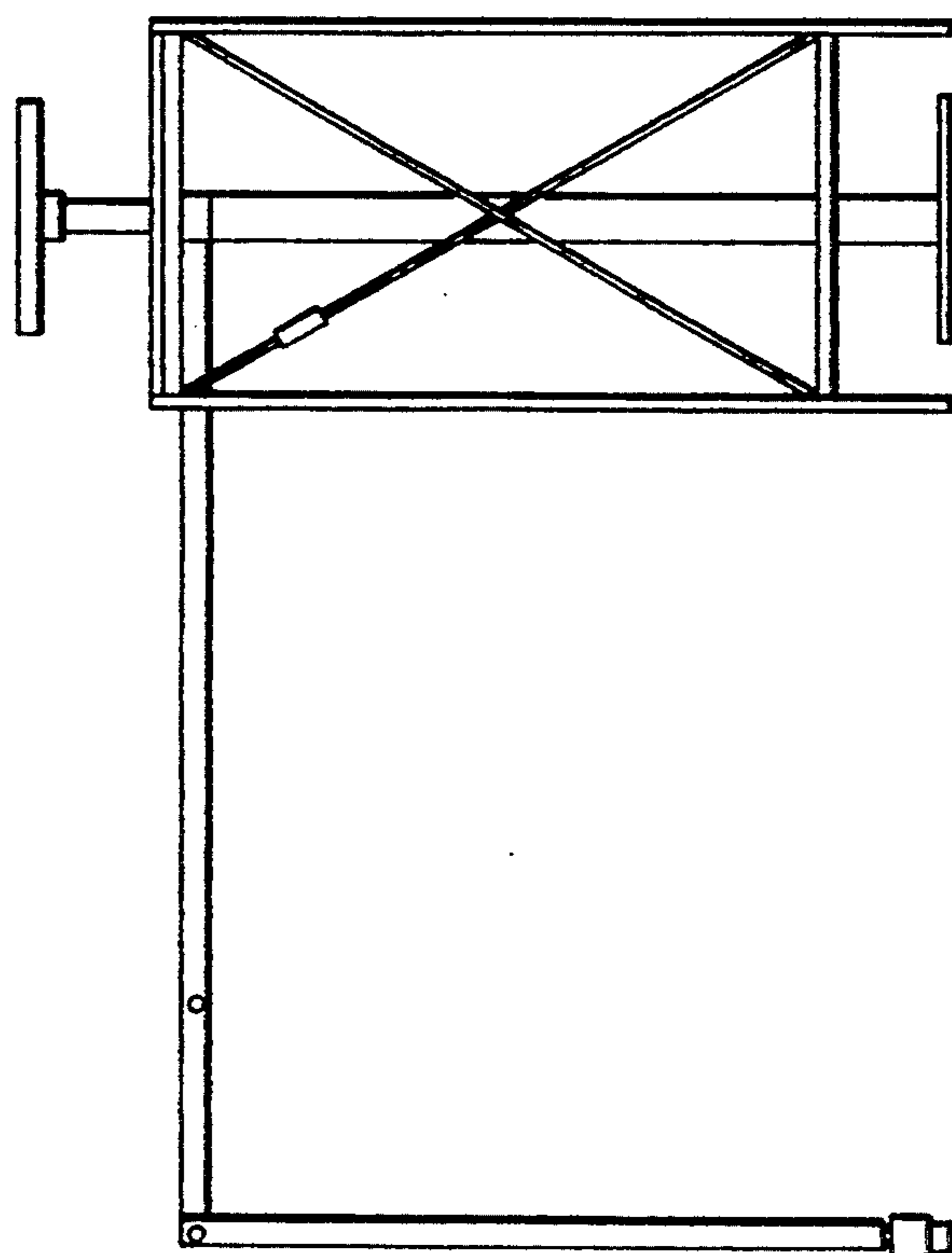


FIG. 5

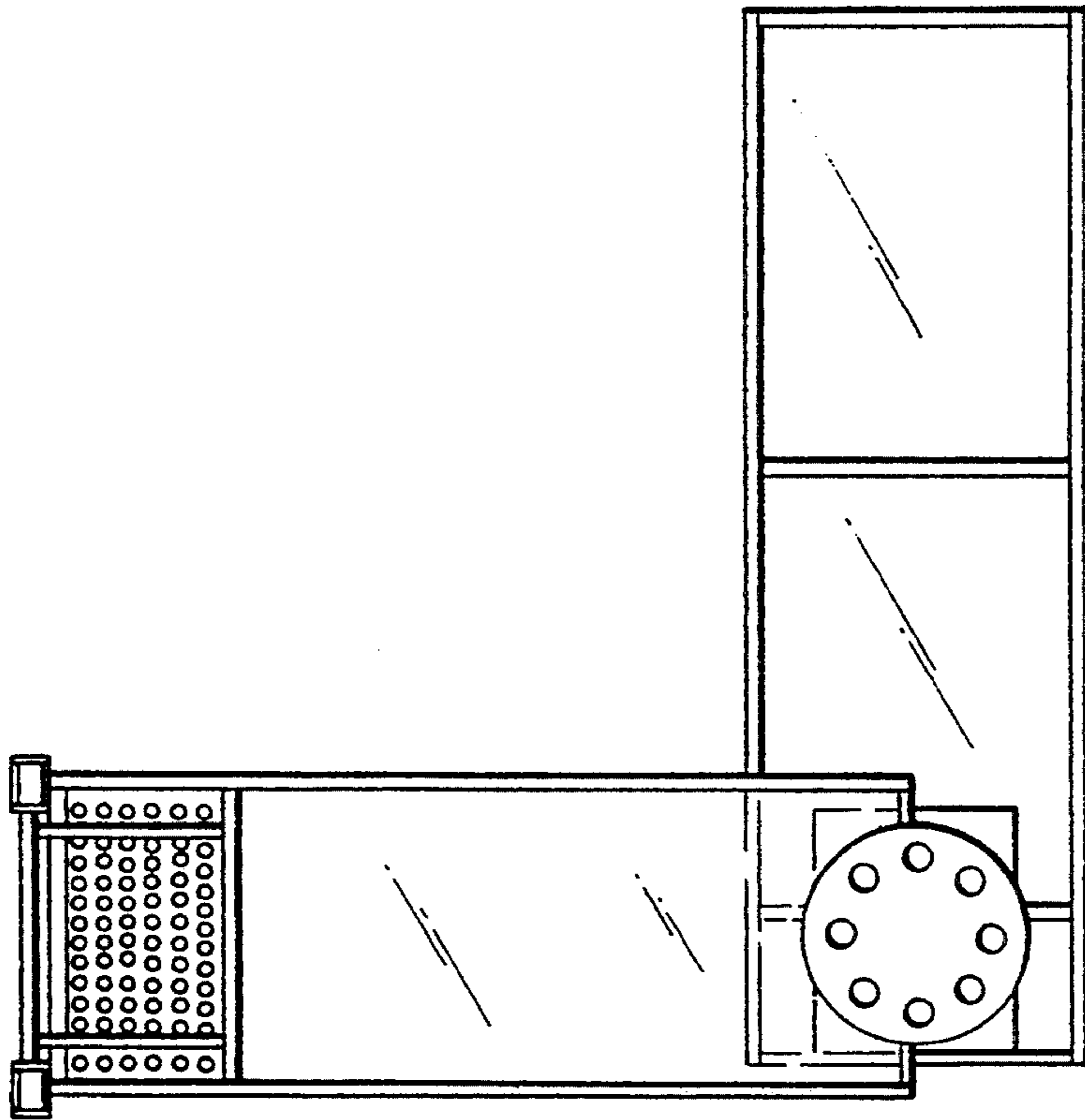


FIG. 6

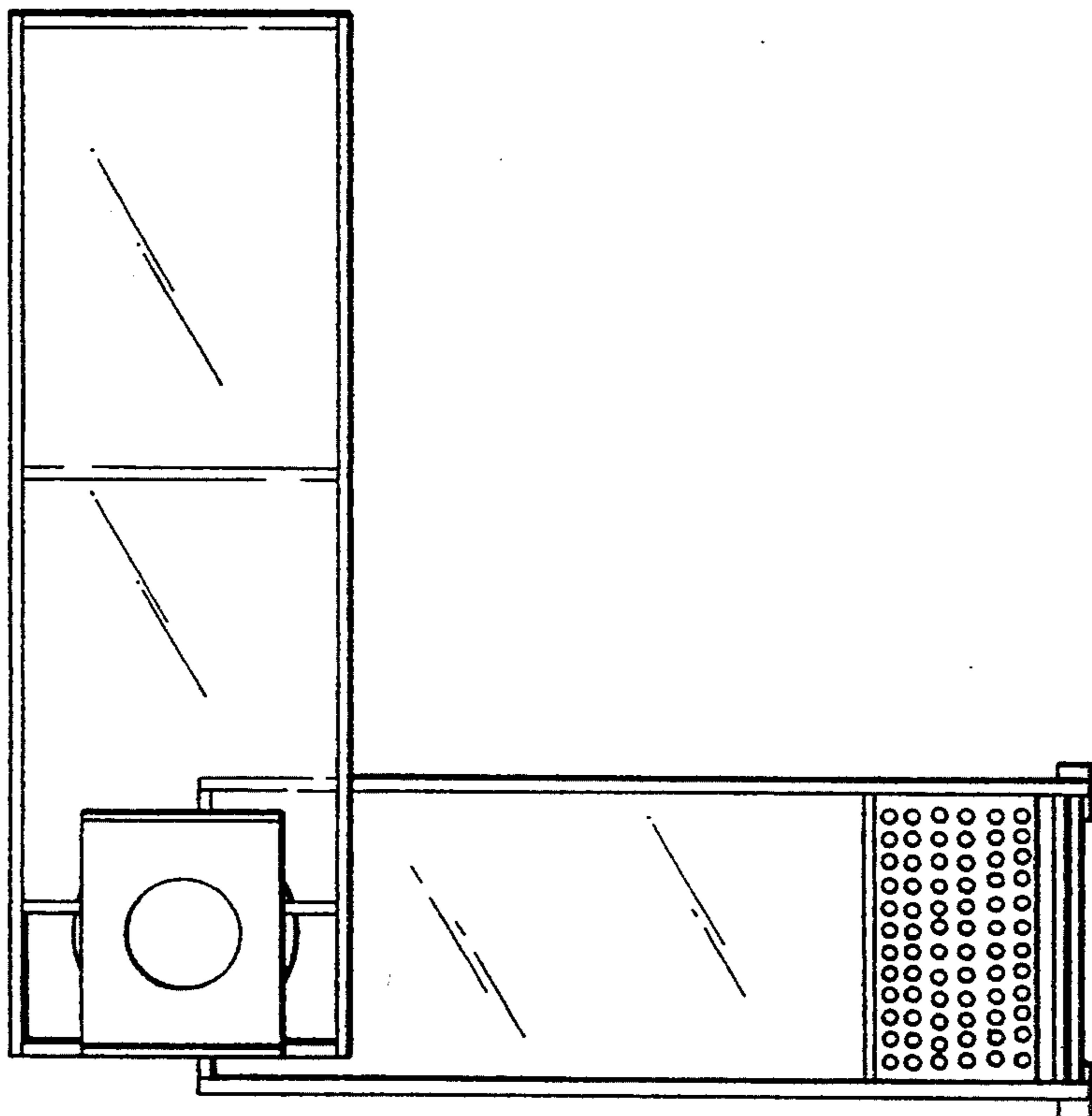


FIG. 7

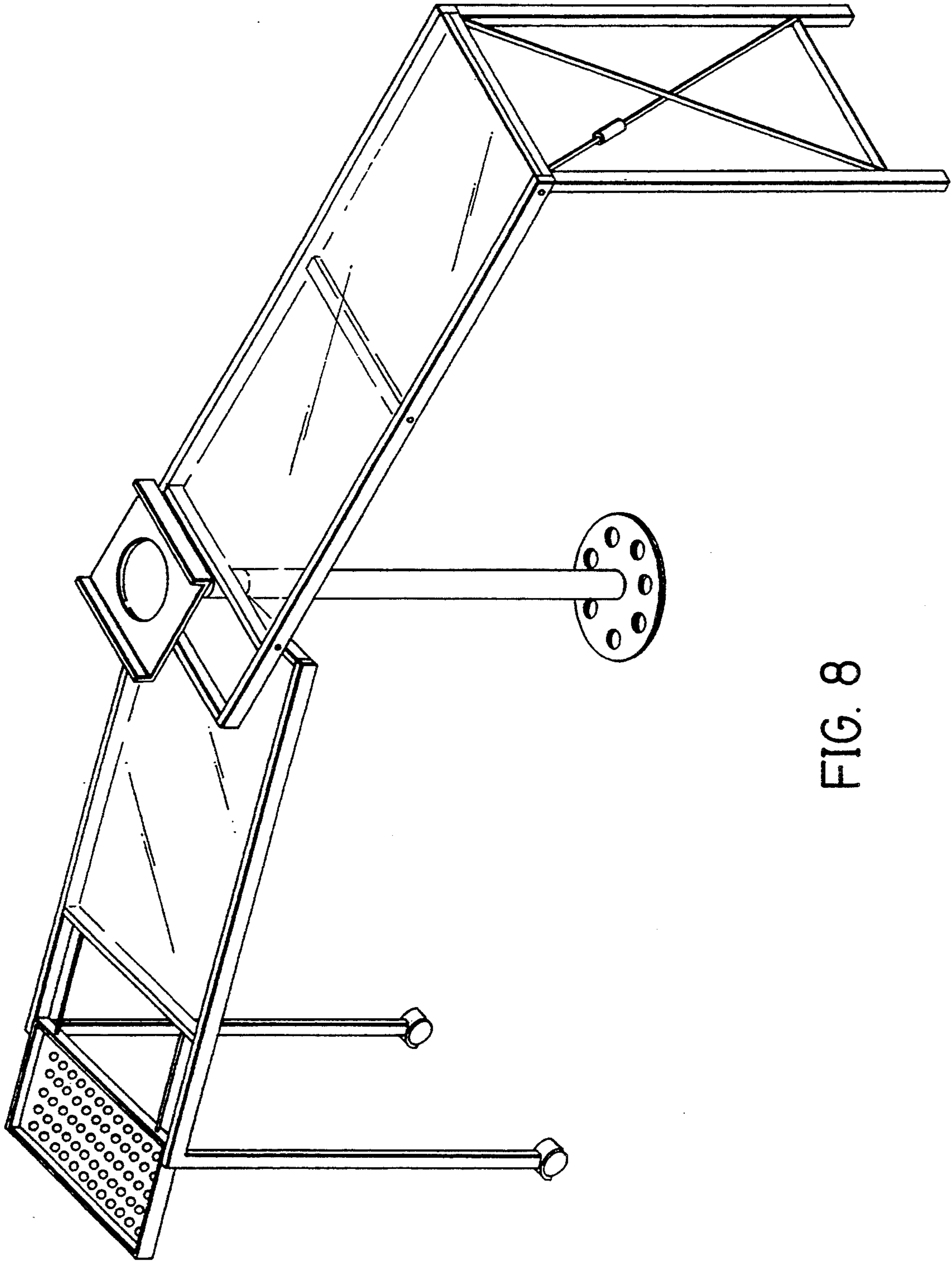


FIG. 8