



US00D362132S

# United States Patent [19]

Ratliff

[11] Patent Number: Des. 362,132

[45] Date of Patent: \*\* Sep. 12, 1995

[54] BOOK HOLDER

[76] Inventor: Christopher W. Ratliff, P.O. Box 2272, Agana, Guam, 96910

[\*\*] Term: 14 Years

[21] Appl. No.: 834,709

[22] Filed: Feb. 12, 1992

[52] U.S. Cl. .... D6/419

[58] Field of Search ..... D6/419, 420, 310, 313, D6/406, 429-431; 211/40-43; D19/88, 91, 90; 248/441.1, 448, 451, 456, 465, 454-457

### [56] References Cited

#### U.S. PATENT DOCUMENTS

D. 218,980	10/1970	Balkus	.....	D6/420 X
2,810,231	10/1957	Lykes	.....	248/451
3,041,774	7/1962	Walker	.....	248/451

### FOREIGN PATENT DOCUMENTS

363612 5/1906 France ..... 248/456

Primary Examiner—Carmen H. Vales-Lado

### [57] CLAIM

The ornamental design for a book holder, as shown and described.

### DESCRIPTION

FIG. 1 is a front elevational view of the book holder showing my new design;  
 FIG. 2 is a rear elevational view thereof;  
 FIG. 3 is a left side elevational view thereof;  
 FIG. 4 is a right side elevational view thereof;  
 FIG. 5 is a top plan view thereof;  
 FIG. 6 is a bottom plan view thereof; and,  
 FIG. 7 is a front elevational view in the extended position of use.

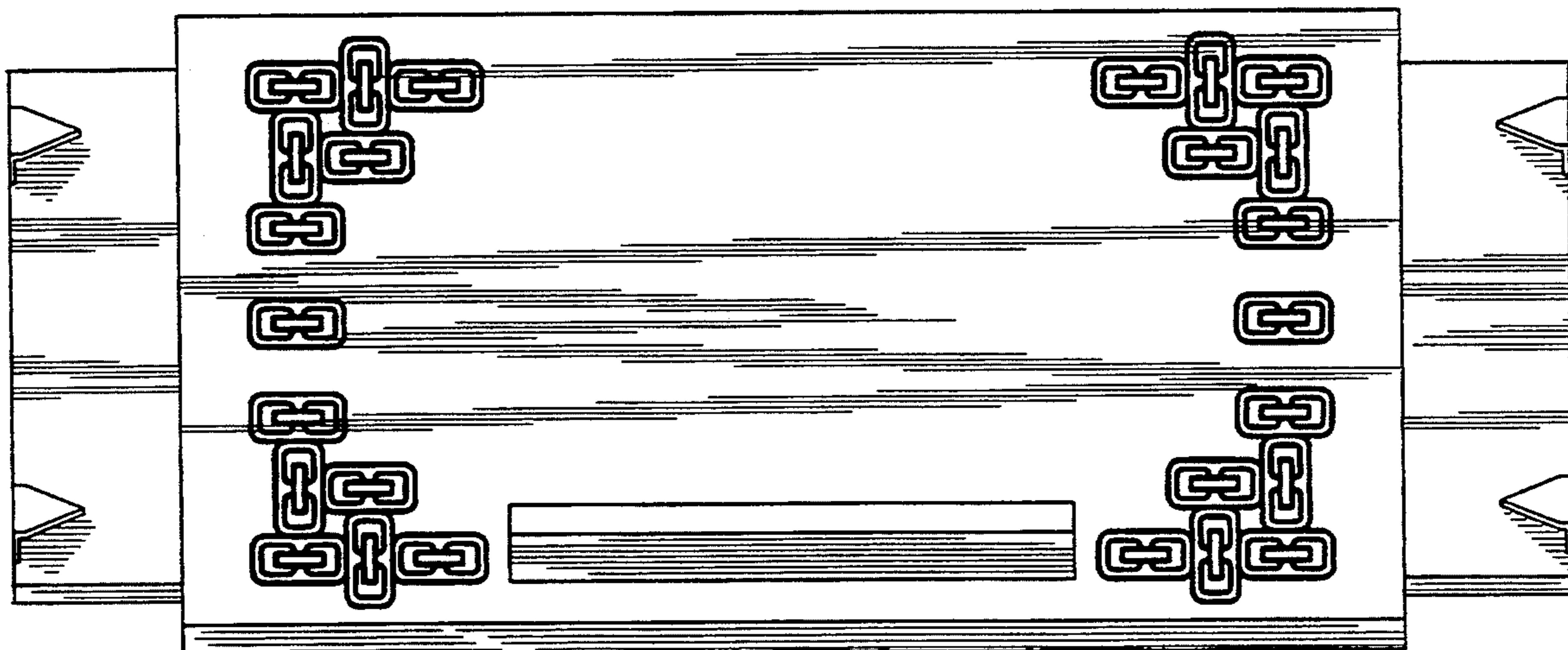
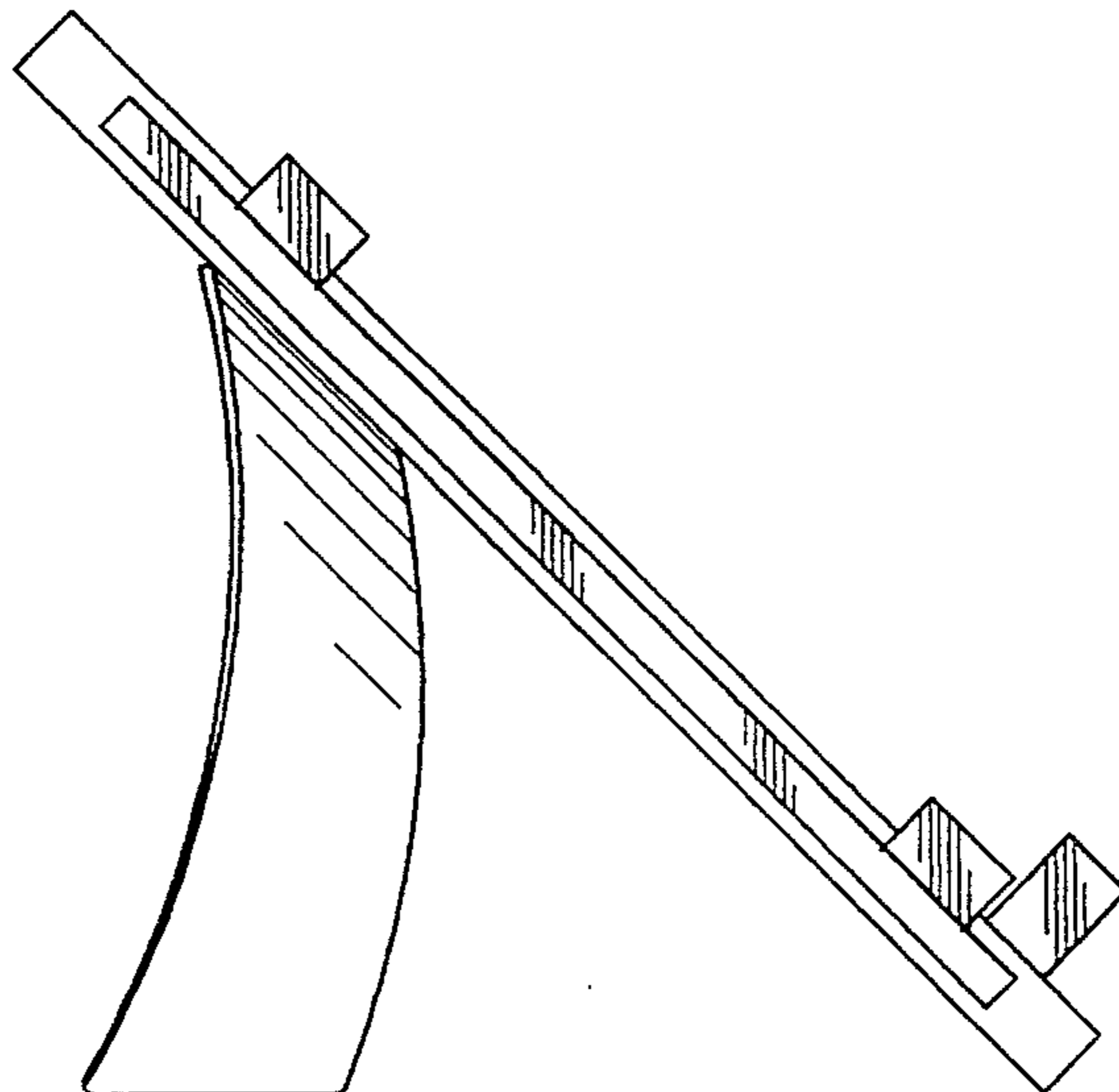


FIG. 1

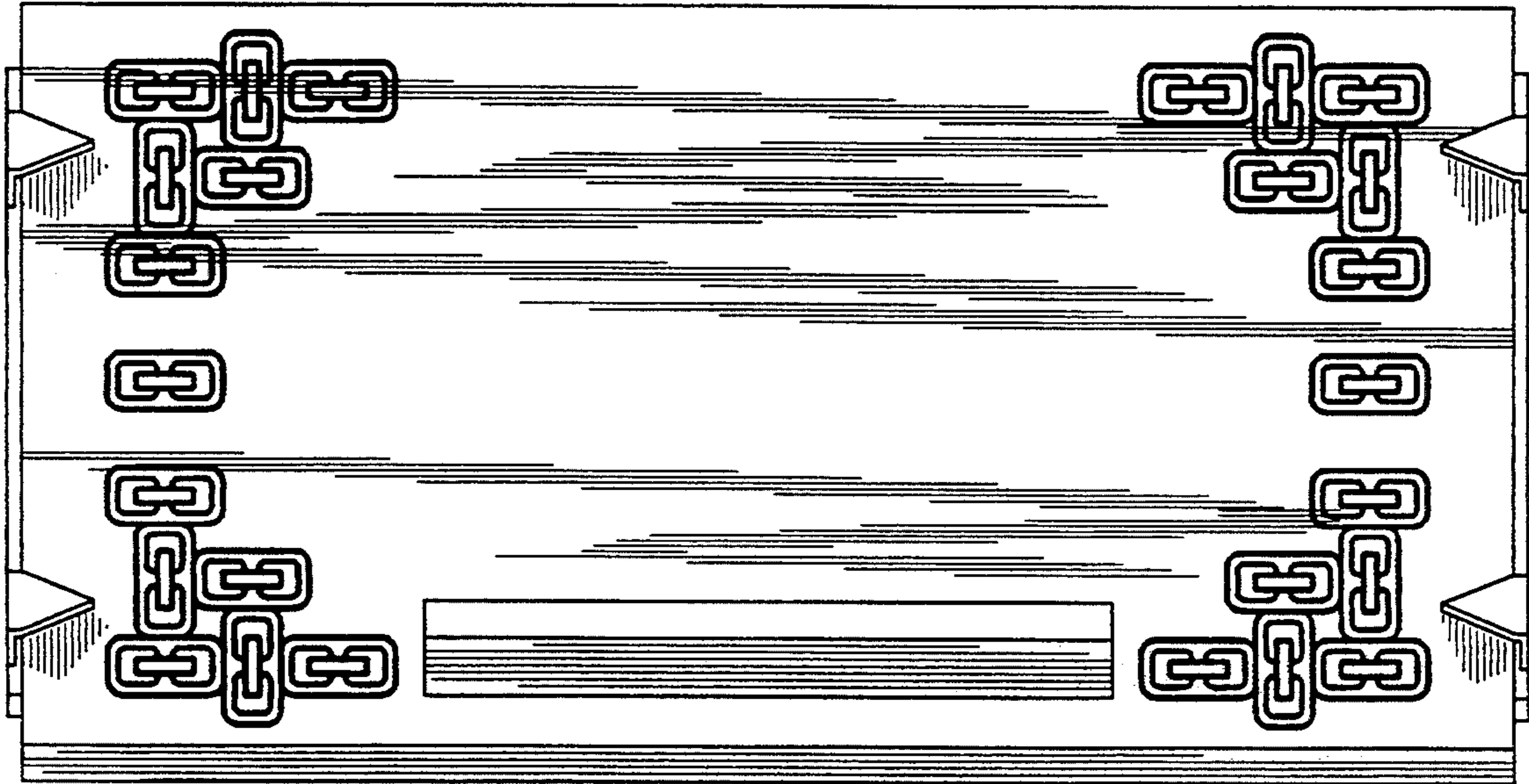


FIG. 2

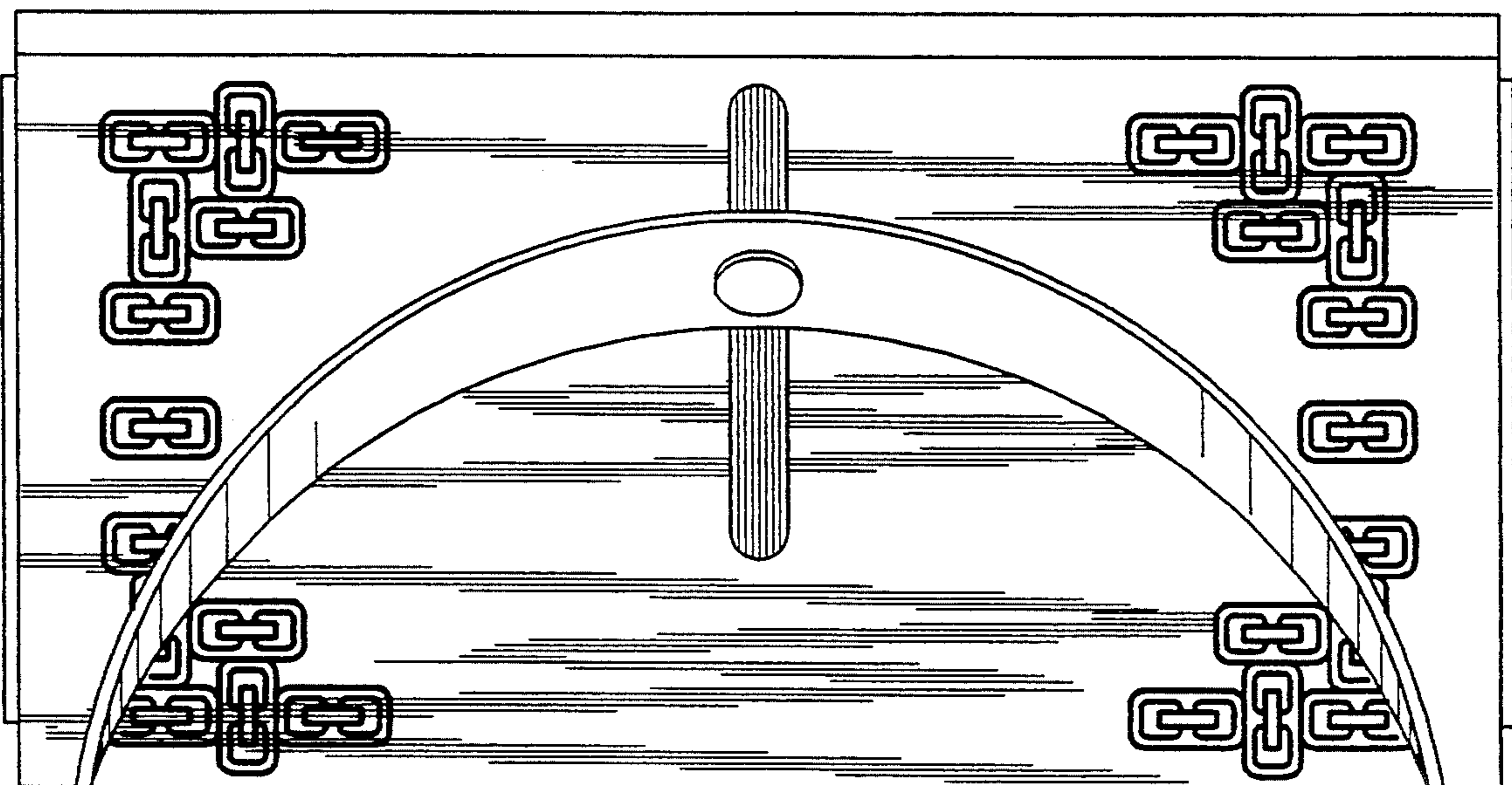


FIG. 3

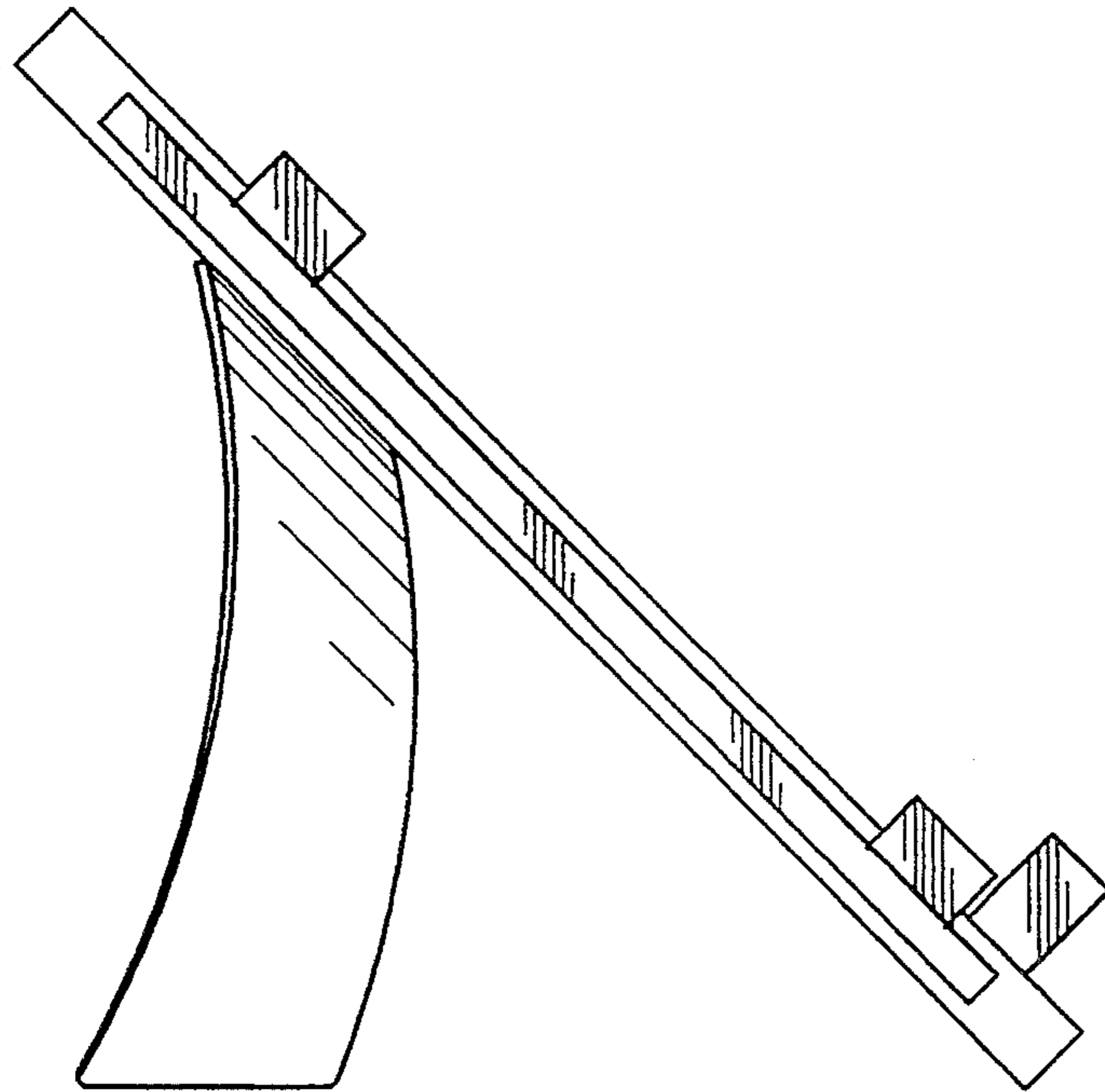


FIG. 4

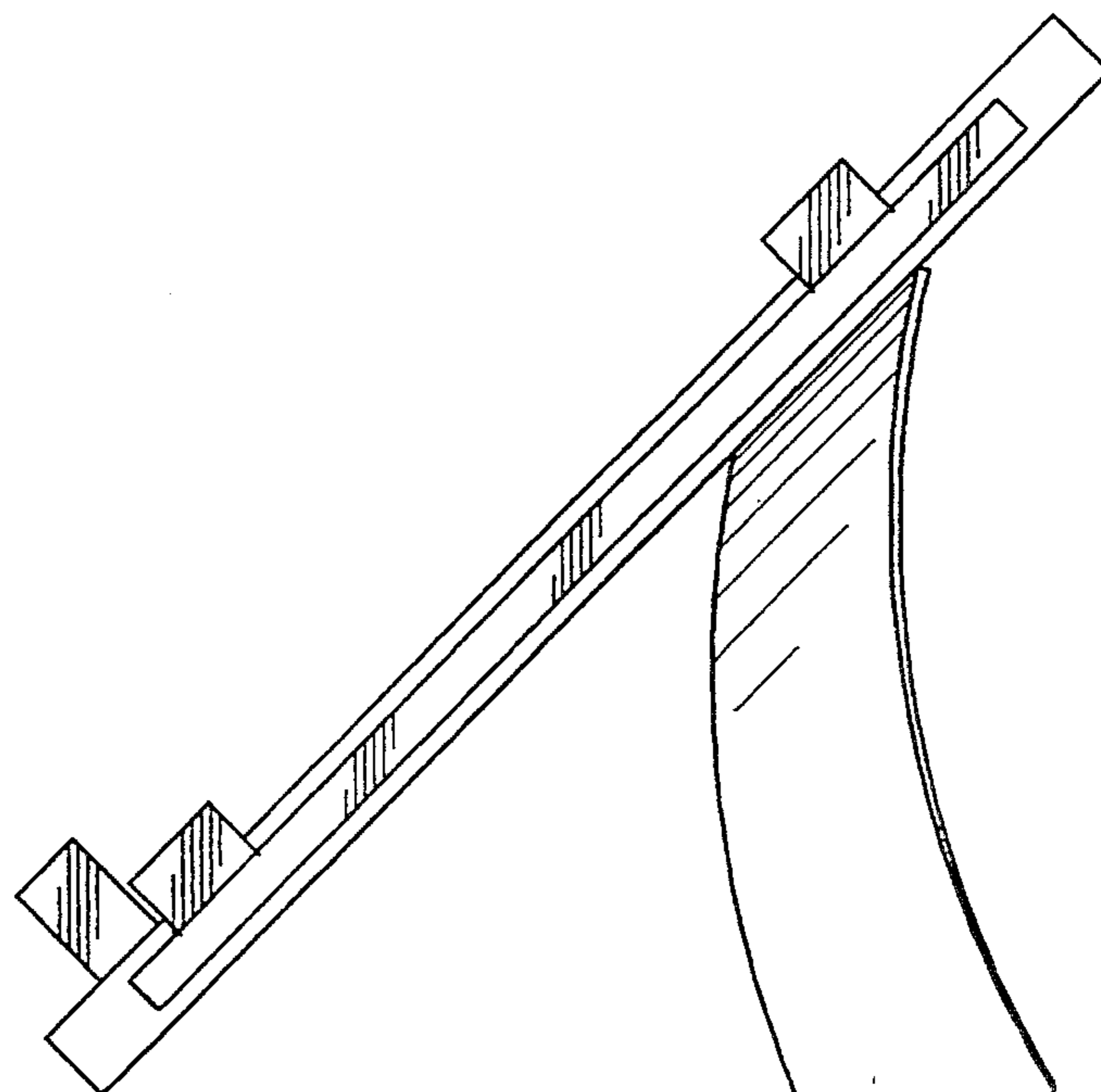




FIG. 5

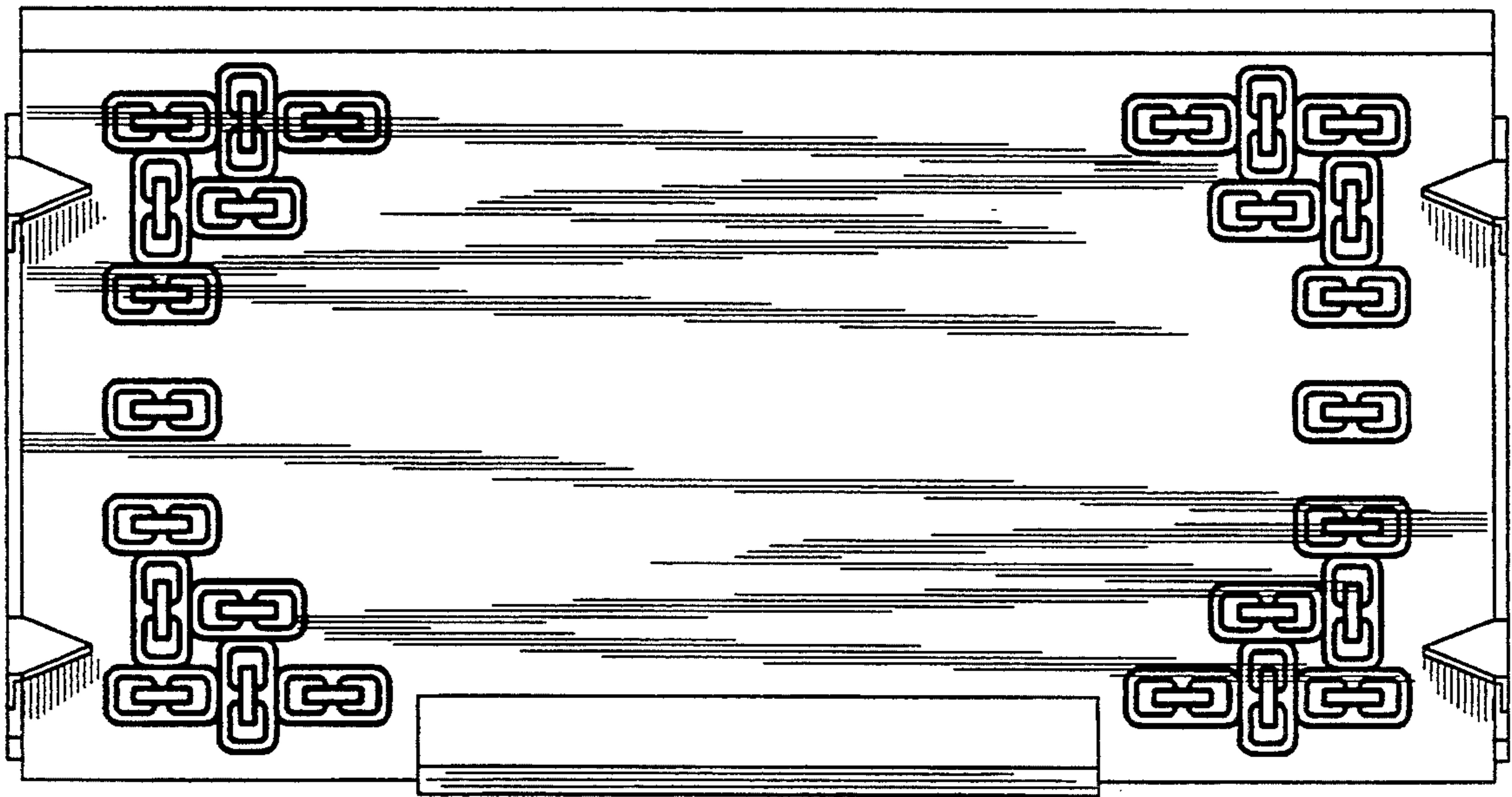


FIG. 6

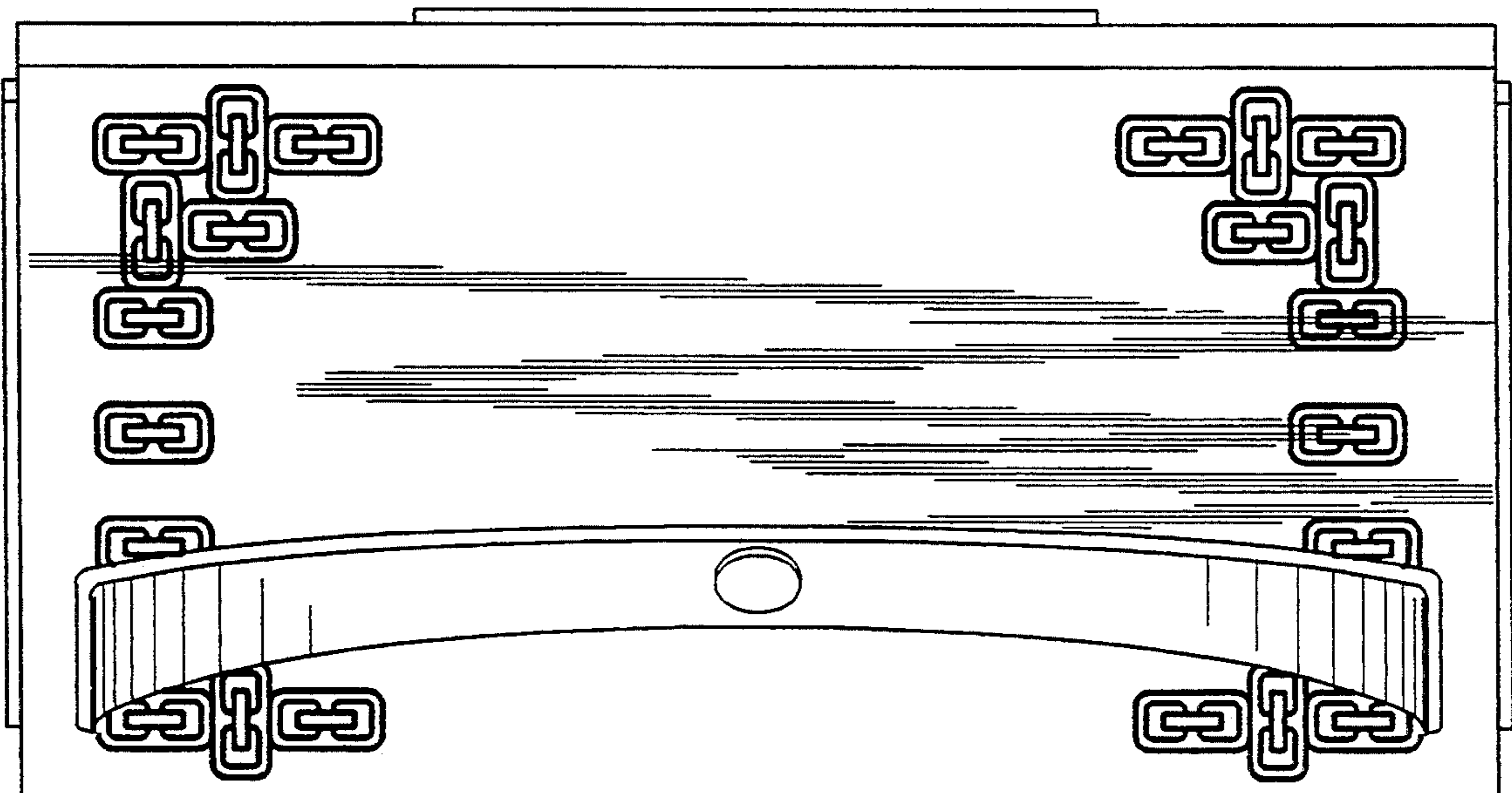


FIG. 7

