



US00D362130S

United States Patent [19]

Alba

[11] Patent Number: **Des. 362,130**

[45] Date of Patent: **** Sep. 12, 1995**

[54] **COMBINED BOOK SUPPORT, LAMP AND SNACK TRAY UNIT**

[76] Inventor: **John L. Alba**, 1804 W. Bonanza Rd. #40, Las Vegas, Nev. 89106

[**] Term: **14 Years**

[21] Appl. No.: **8,764**

[22] Filed: **May 26, 1993**

[52] U.S. Cl. **D6/399**

[58] Field of Search **D6/397, 399, 419; 248/121, 125, 441.1, 444.1; D26/51, 56**

[56] **References Cited**

U.S. PATENT DOCUMENTS

- D. 83,127 1/1931 Roby D6/419
- D. 89,053 1/1933 Mitchell et al. D6/419
- D. 99,414 4/1936 O'Neill D6/419 X
- D. 157,236 2/1950 Brozyna D26/56 X
- D. 209,489 12/1967 Cullen D6/419 X
- D. 246,016 10/1977 Brady D6/419
- 1,423,612 7/1922 Jewett 248/125 X

- 3,289,443 12/1966 Norman 248/121 X
- 3,995,796 12/1976 Kline 248/121
- 5,199,680 4/1993 Rivera 248/441.1

Primary Examiner—Carmen H. Vales-Lado
Attorney, Agent, or Firm—Terry M. Gernstein

[57] **CLAIM**

The ornamental design for a combined book support, lamp and snack tray unit, as shown and described.

DESCRIPTION

FIG. 1 is a front, top and side perspective view of the combined book support, lamp and snack tray unit showing my new design;

FIG. 2 is a front elevational view thereof;

FIG. 3 is a rear elevational view thereof;

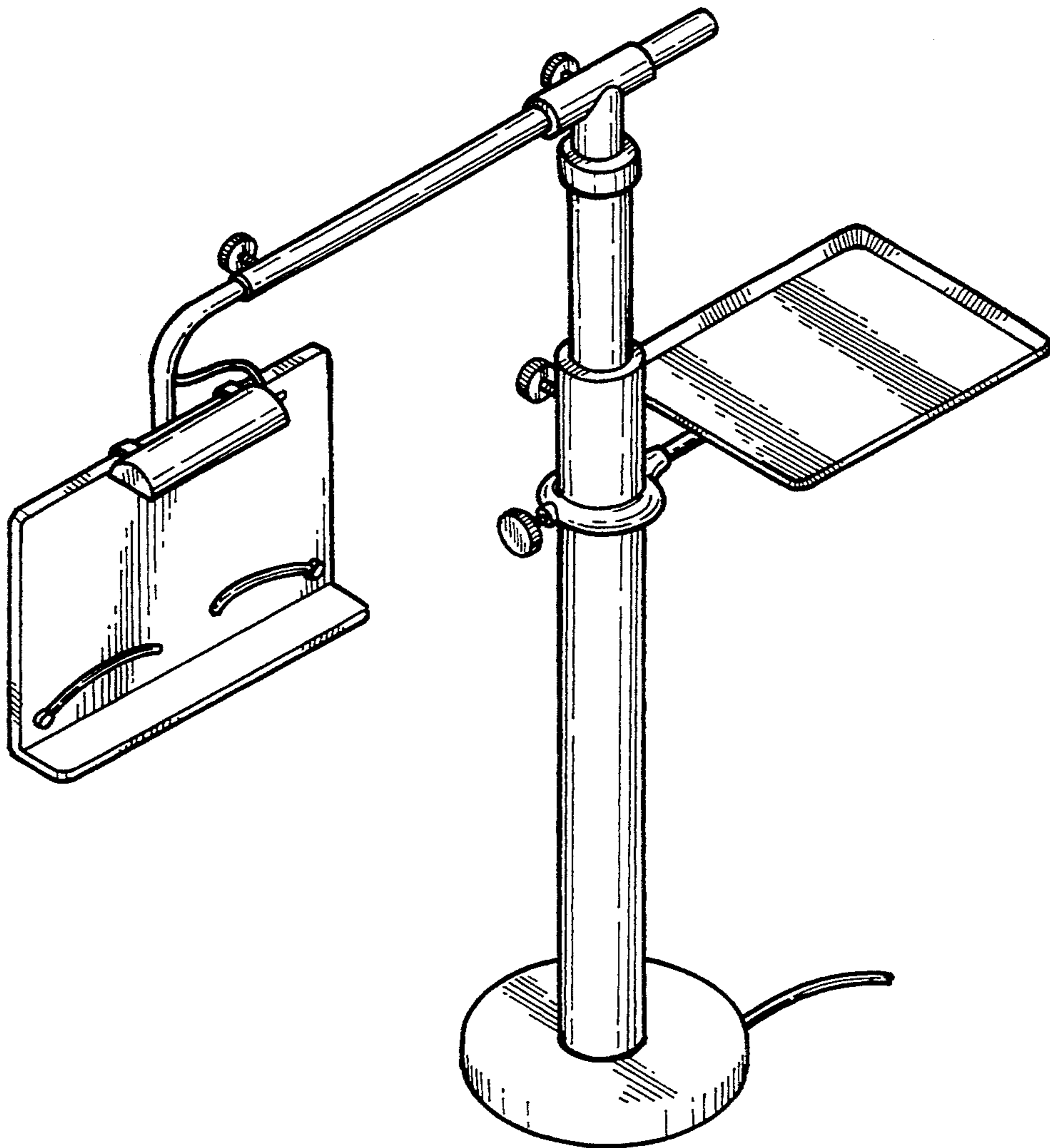
FIG. 4 is a side elevational view thereof;

FIG. 5 is a side elevational view thereof;

FIG. 6 is a top plan view thereof; and,

FIG. 7 is a bottom plan view thereof.

The cord shown broken away throughout the views is for convenience of illustration.



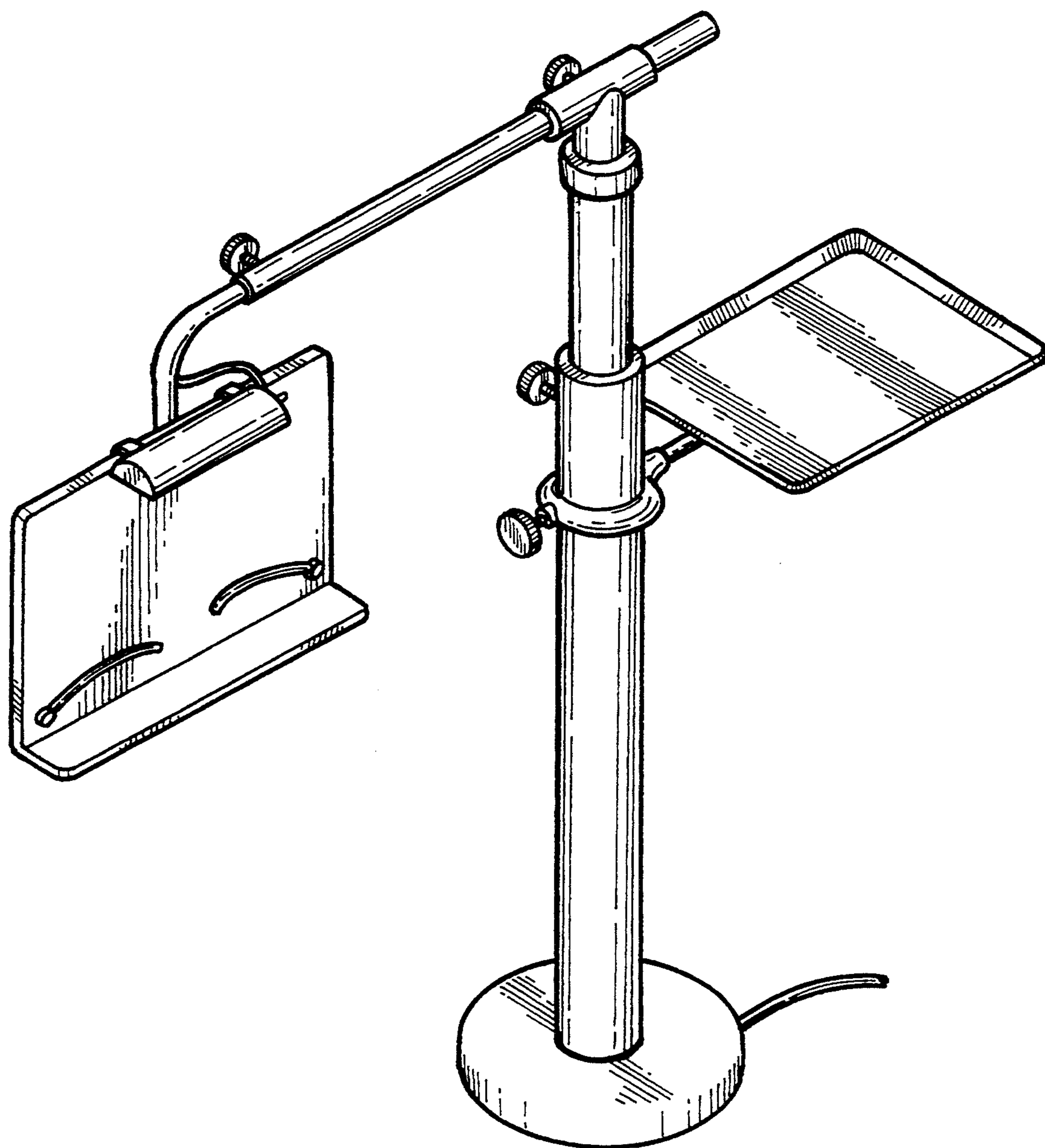


FIG. 1

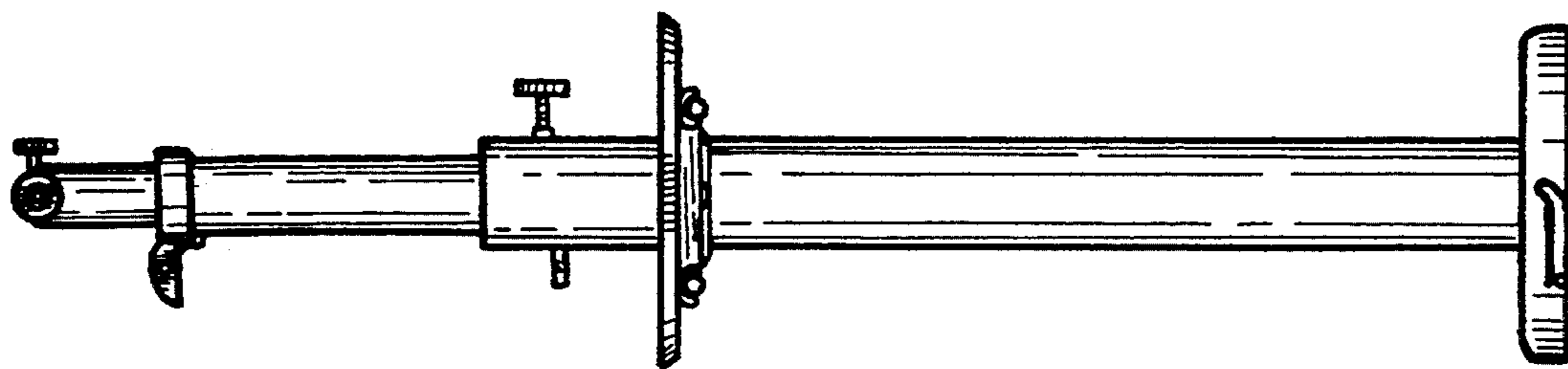


FIG. 4

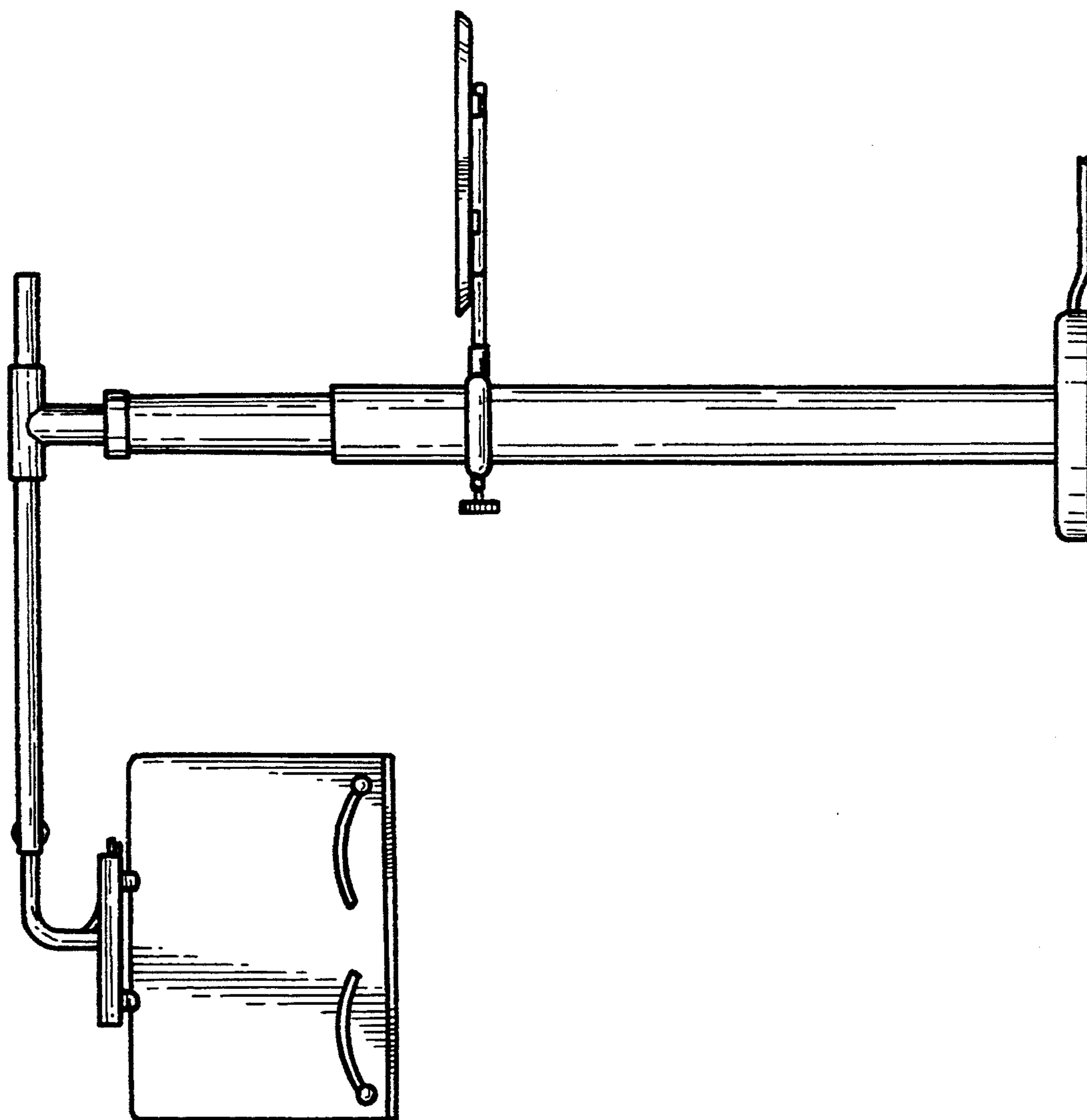


FIG. 2

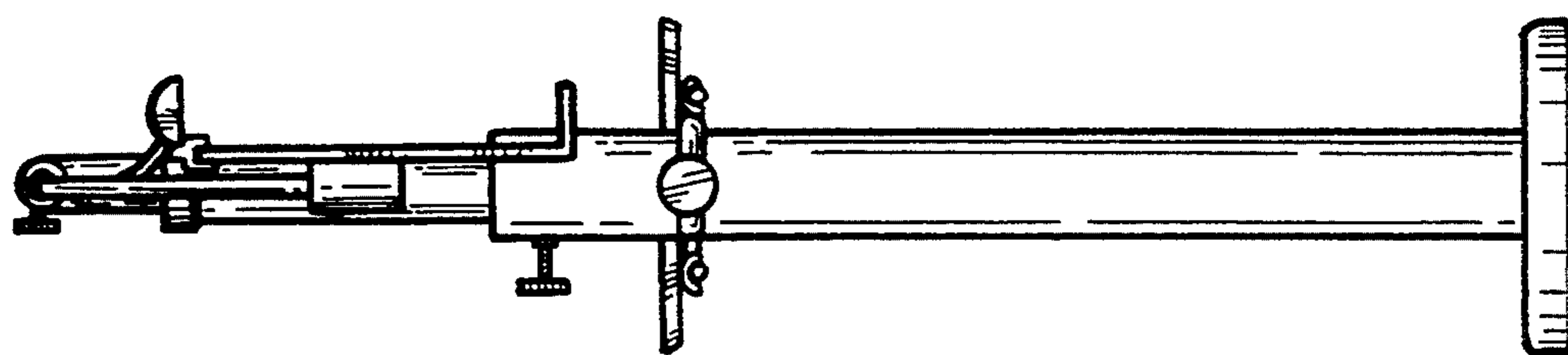


FIG. 5

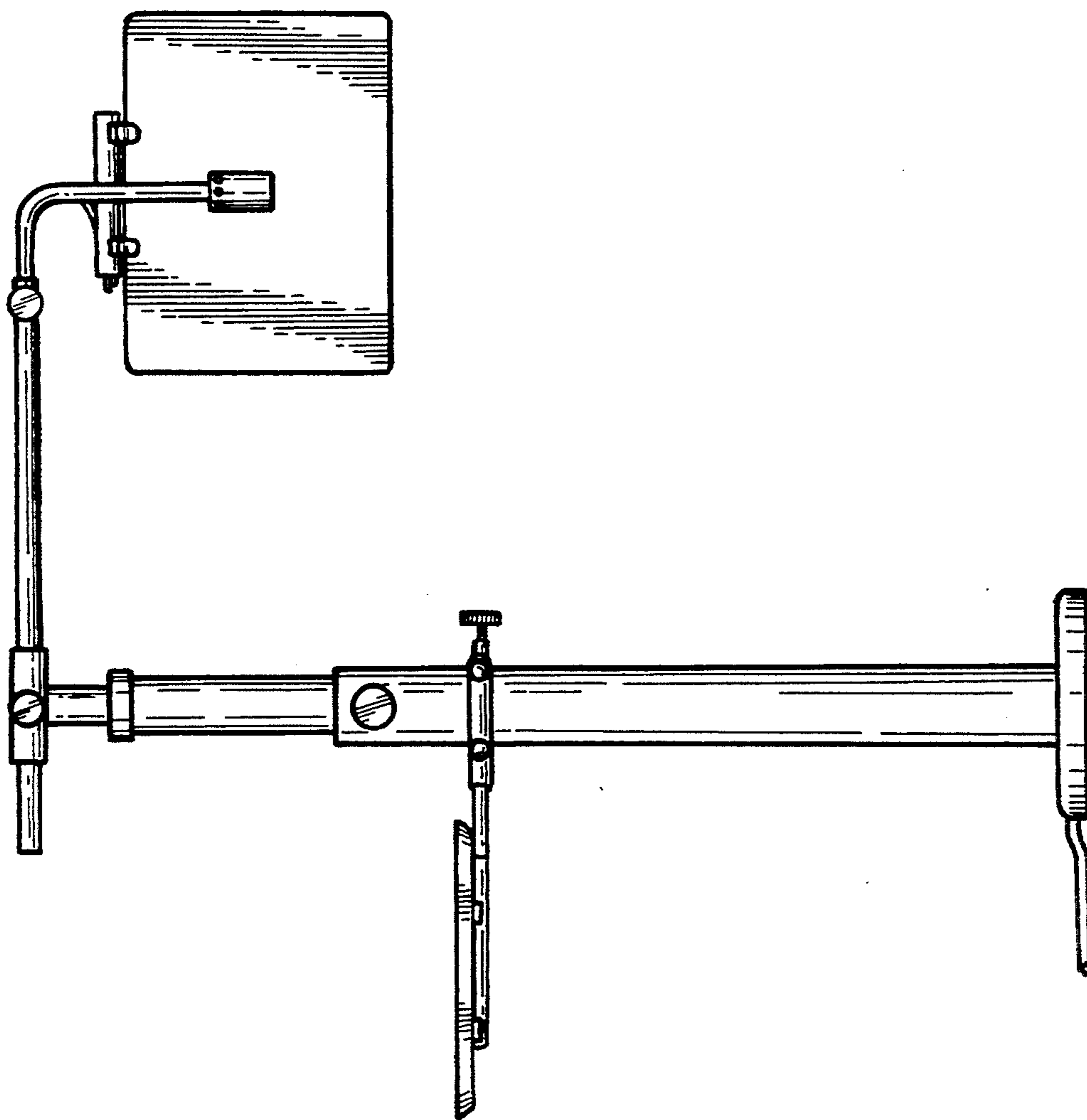


FIG. 3

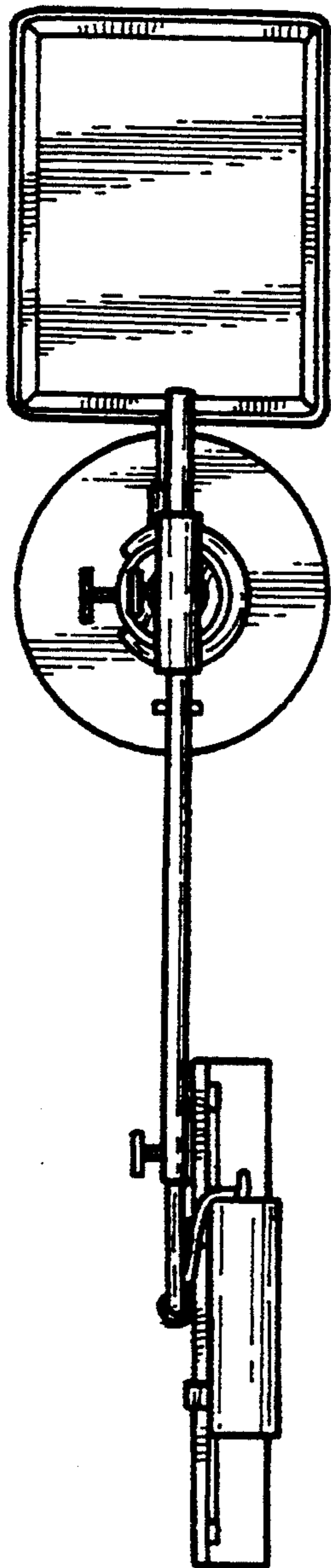


FIG. 6

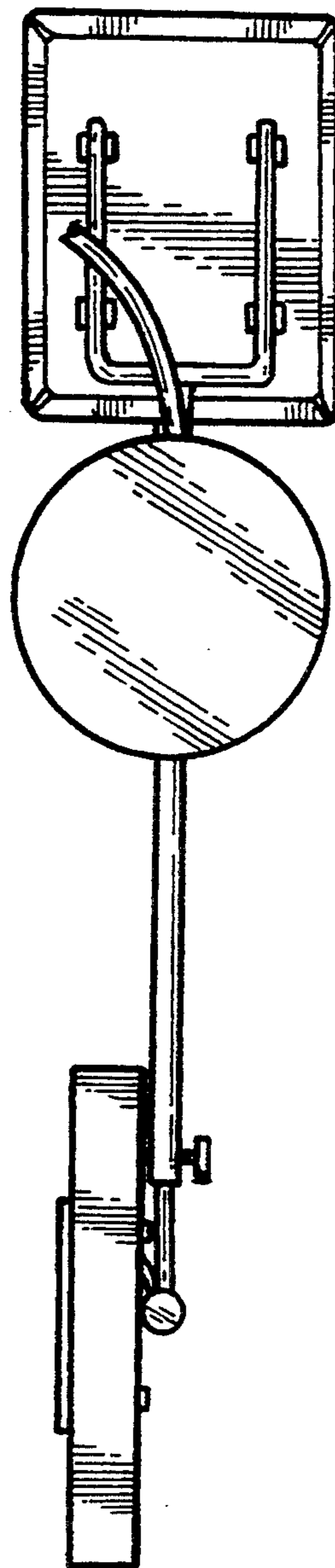


FIG. 7