



US00D362117S

United States Patent [19]

[11] Patent Number: **Des. 362,117**

Koenig et al.

[45] Date of Patent: **** Sep. 12, 1995**

[54] **STORAGE CONTAINER LID**

[75] Inventors: **John W. Koenig; Peter A. Koloski,**
both of Columbus; **Stacy L. Wolff,**
Akron, all of Ohio

[73] Assignee: **Rubbermaid Incorporated,** Wooster,
Ohio

[**] Term: **14 Years**

[21] Appl. No.: **27,058**

[22] Filed: **Aug. 12, 1994**

[52] U.S. Cl. **D3/326; D3/323**

[58] Field of Search **D3/201, 203, 205, 207,**
D3/208, 210, 212, 230, 247, 249, 250, 253, 264,
273, 274, 276, 281-284, 286, 287, 290-296, 299,
303-305, 307-324, 900-904, 226, 232, 233, 242,
243, 263, 265, 266, 272, 294; D9/305, 307, 328,
432, 500, 503, 504, 505; 220/4.22, 4.23, 23.85,
213, 335, 755, 776; 206/8.1, 45.24, 69, 235, 238,
305, 362.13, 62, 372, 373, 376, 443, 457, 563,
581, 823

[56] **References Cited**

U.S. PATENT DOCUMENTS

- D. 167,782 9/1952 Weiss D3/292
- D. 238,051 12/1975 Fier D9/240
- D. 238,148 12/1975 Dilot D9/219
- D. 239,695 8/1976 Fier D9/237
- D. 246,828 1/1978 White D9/267
- D. 286,937 11/1986 Schäfer D3/281 X
- D. 302,774 8/1989 Murphy D7/76
- D. 308,340 6/1990 Ilsen et al. D9/425
- D. 319,016 8/1991 Kahl D9/424
- D. 328,425 8/1992 Brightbill D9/425
- D. 329,747 9/1992 Embree D3/78
- D. 330,329 10/1992 Brightbill D9/424
- D. 334,662 4/1993 Van Berne D3/70
- D. 339,471 9/1993 Maple et al. D3/78

- D. 342,609 12/1993 Brightbill D3/78
- D. 347,113 5/1994 Bornhorst et al. D3/272
- D. 348,394 7/1994 Dreyer D9/425
- D. 355,765 2/1995 Miller D3/318
- D. 355,766 2/1995 Miller D3/319
- 3,419,184 12/1968 Asenbauer 220/97
- 4,523,692 6/1985 Lemkin 220/306

OTHER PUBLICATIONS

Sell sheet, Box; Sterilite Corporation; P.O. Box 524,
Main Street, Townsend, Mass. Publication date 1991.

Catalog page, Tote bins; Sterilite Corporation, P.O.
Box 524, Mai Street, Townsend, Mass. Publication date
1990.

Sell sheet, Storage box; The Coleman Company, 250
North St. Francis, Wichita, Ks. 67202. Published at
least as early as 1992.

Sell sheet, Tote Containers; Tucker Housewares, a Sub-
sidiary of Kidde, Inc., 25 Tucker Drive, Leominster,
Mass. 01453. Published at least as early as 1991.

Primary Examiner—Cathy Anne MacCormac

Assistant Examiner—Monica A. Hannon

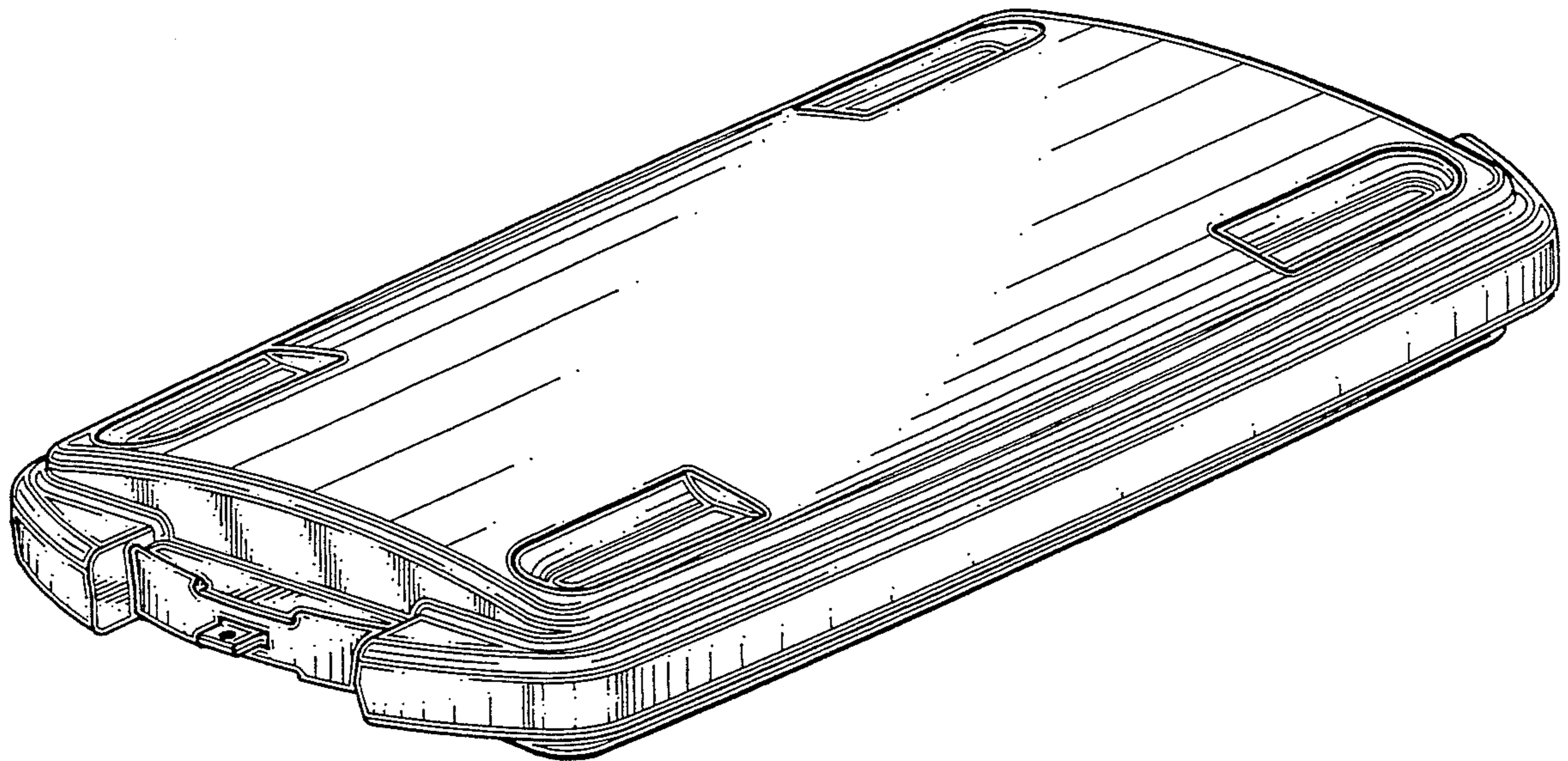
Attorney, Agent, or Firm—Richard B. O'Planick; Lisa B.
Riedesel

[57] **CLAIM**

The ornamental design for a storage container lid, as
shown and described.

DESCRIPTION

FIG. 1 is a top left front perspective view of a storage
container lid showing our new design;
FIG. 2 is a bottom left front perspective view thereof;
FIG. 3 is a top plan view thereof;
FIG. 4 is a bottom plan view thereof;
FIG. 5 is a front elevational view thereof; the rear ele-
vational view being a mirror image; and,
FIG. 6 is a right side elevational view; the left side
elevational view being a mirror image.



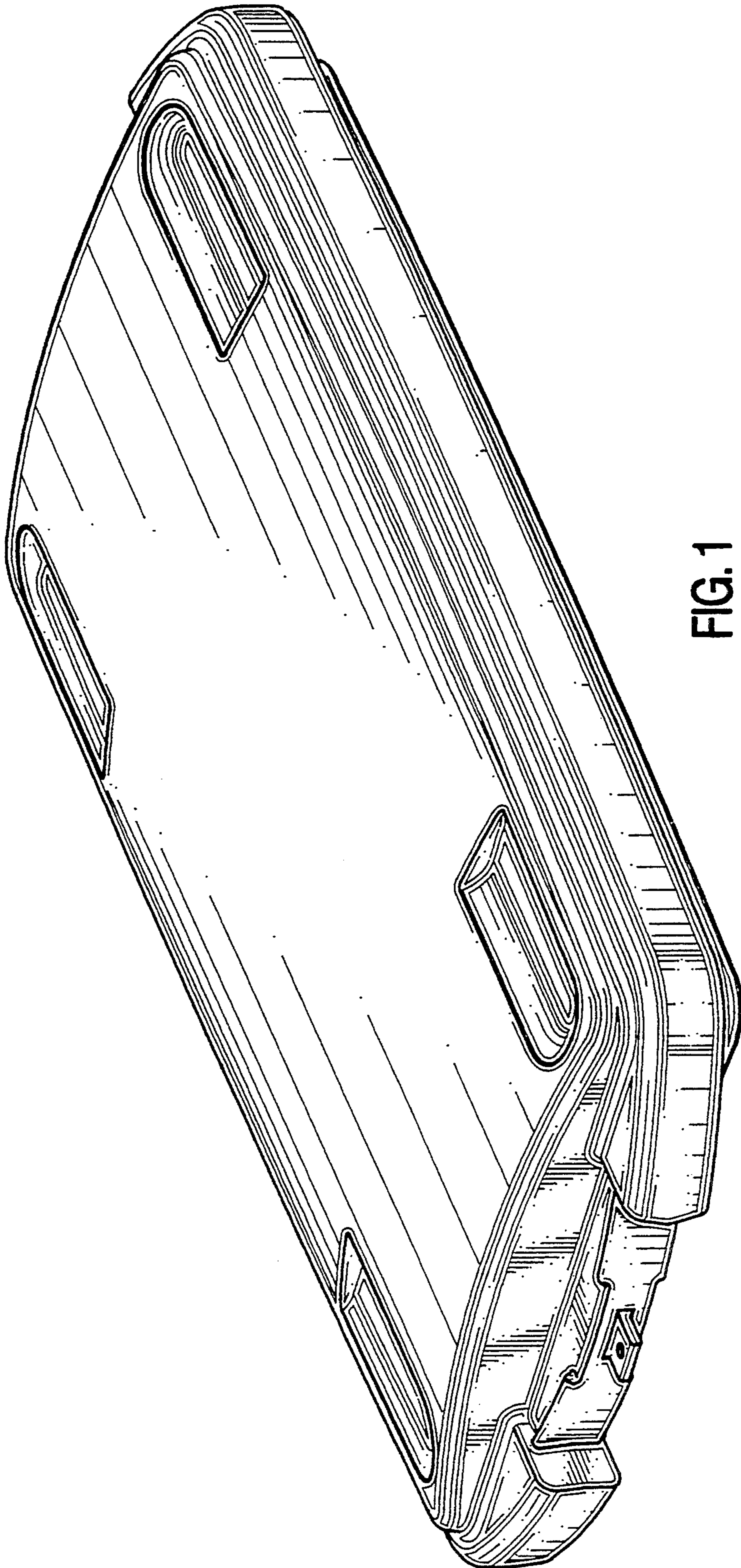


FIG. 1

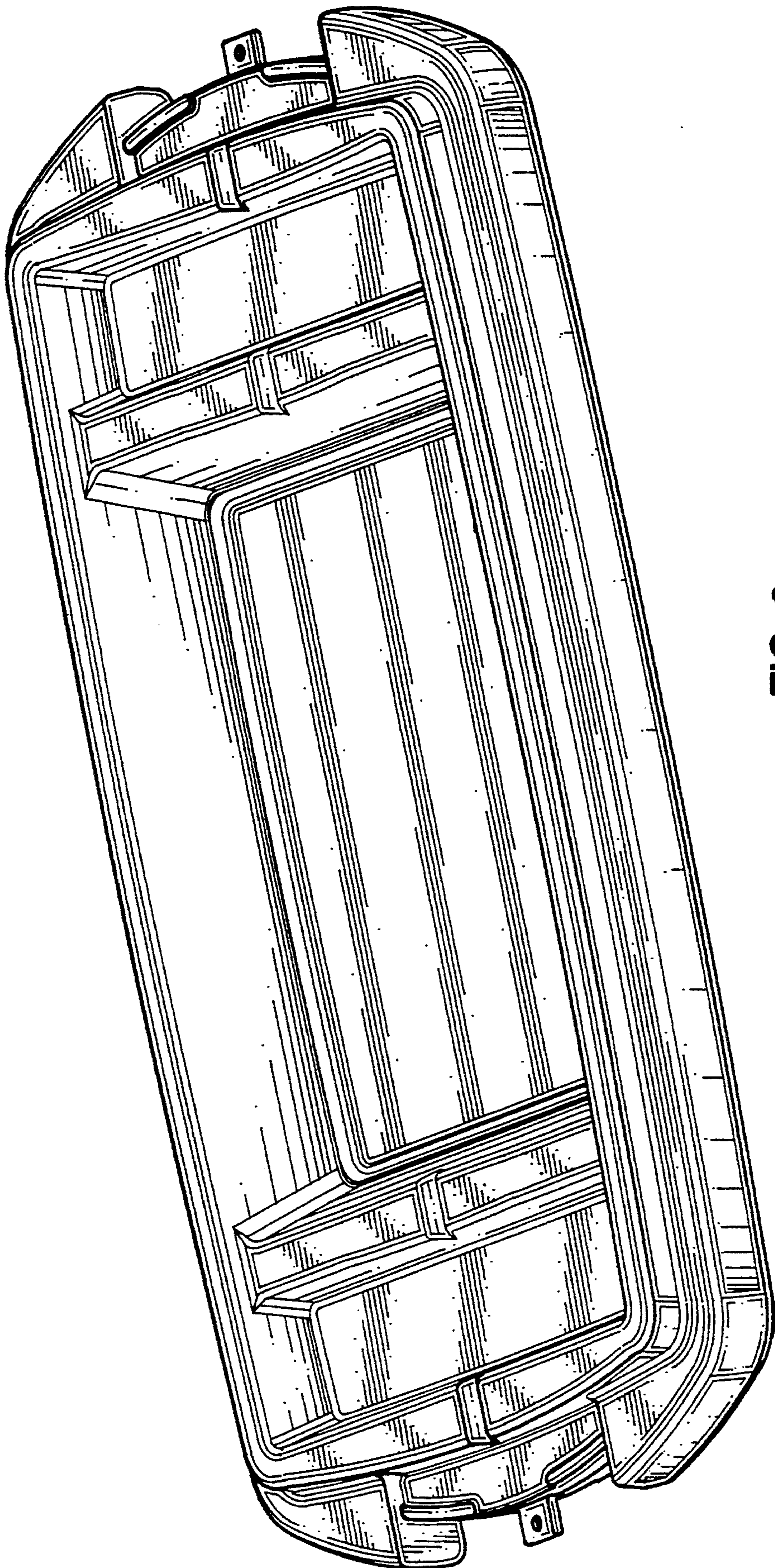


FIG. 2

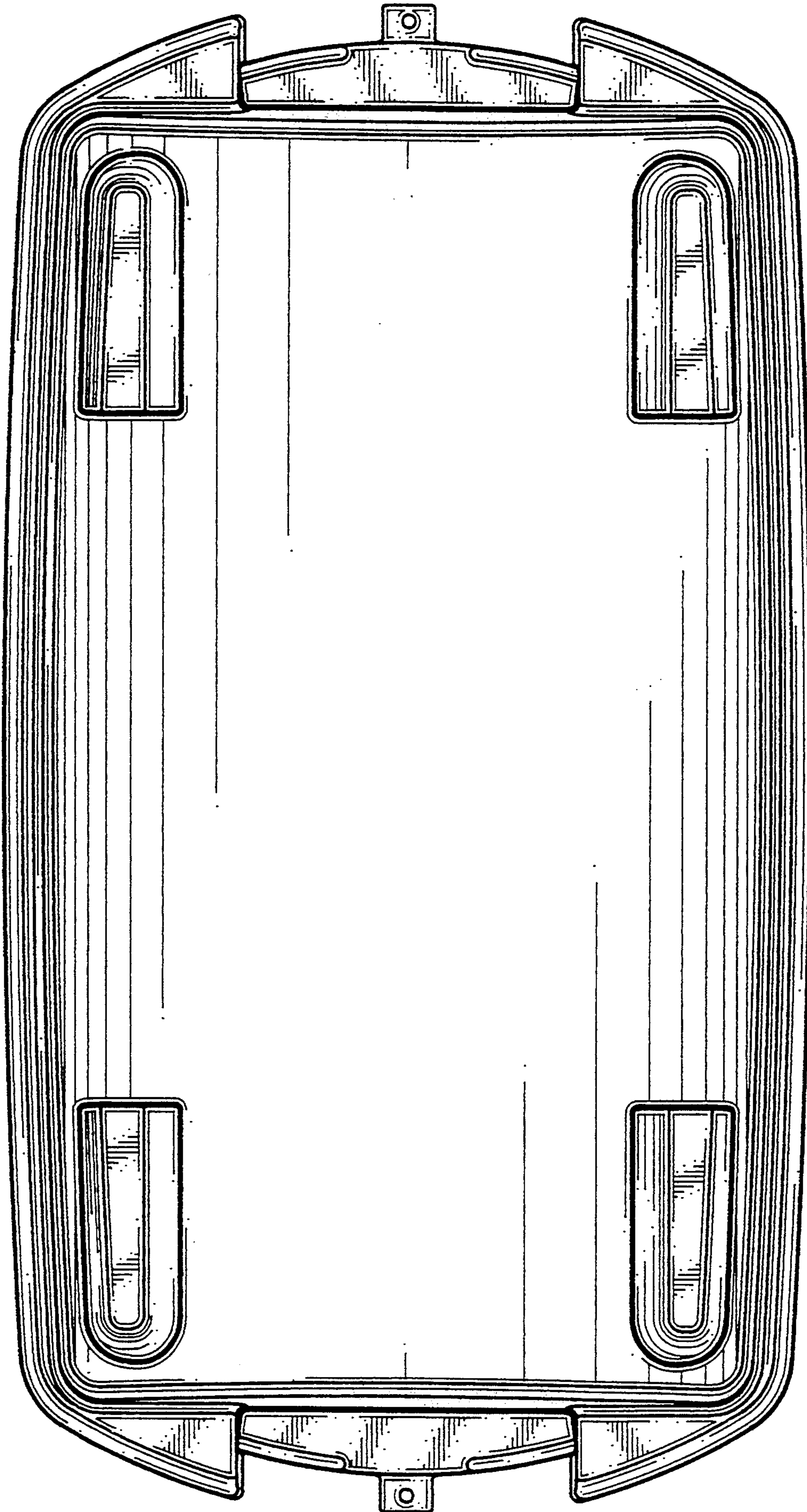


FIG. 3

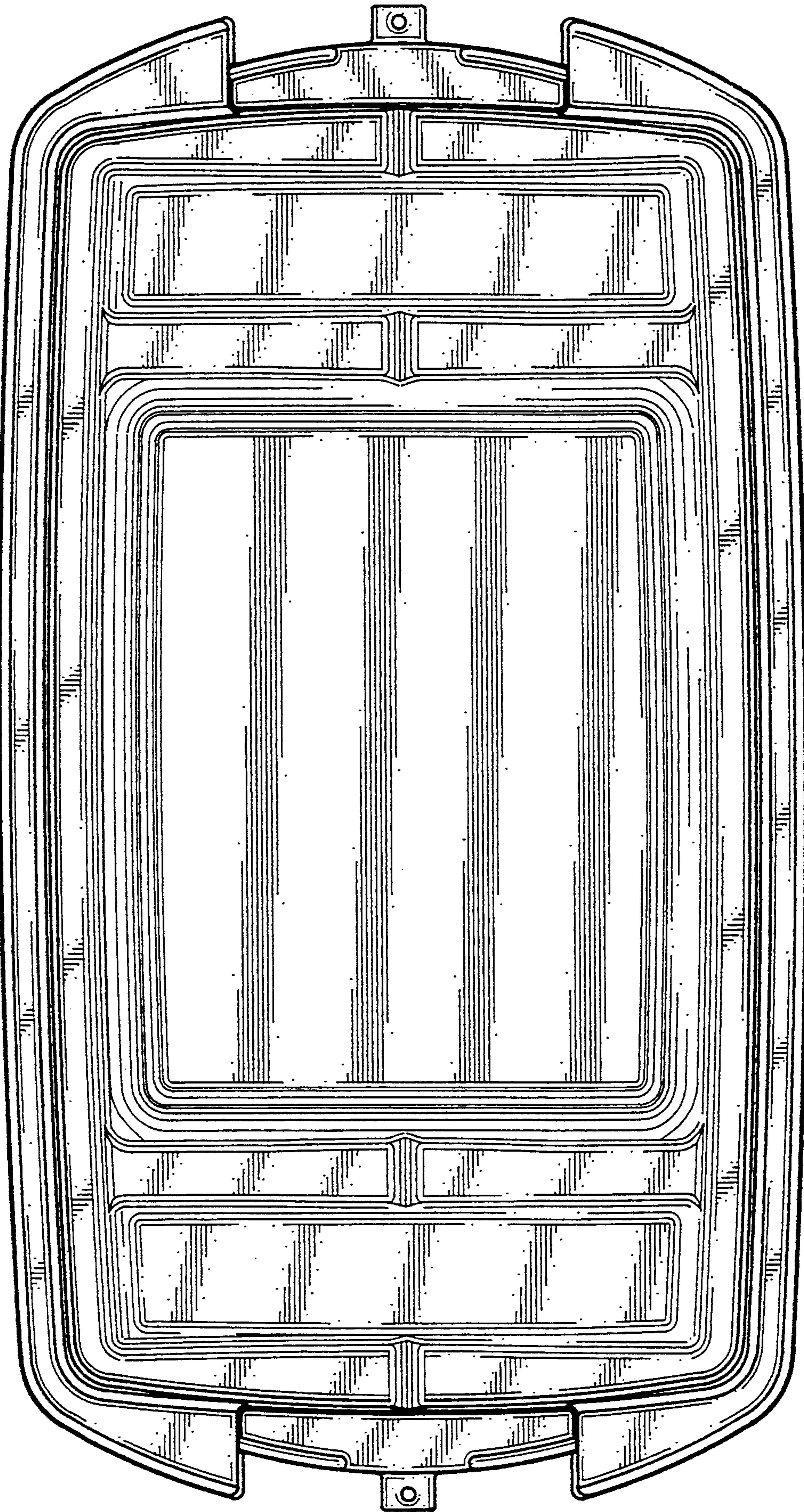


FIG. 4

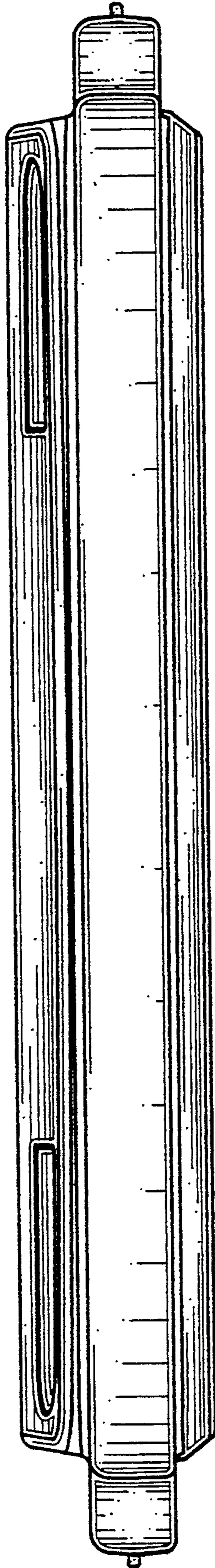


FIG. 5

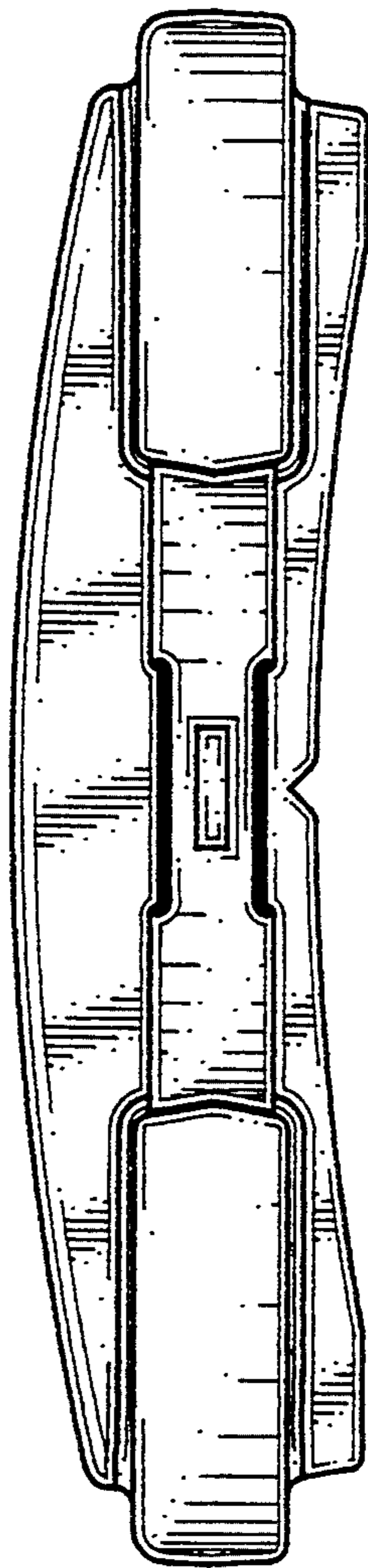


FIG. 6