



US00D362116S

# United States Patent [19]

[11] Patent Number: **Des. 362,116**

Bellington et al.

[45] Date of Patent: **\*\* Sep. 12, 1995**

[54] **PISTOL CARRYING AND CARE CASE**

4,824,086 4/1989 Rickling et al. .... 269/156  
5,058,302 10/1991 Minneman ..... 42/94

[75] Inventors: **Bruce M. Bellington**, Oak Grove, Mo.; **Dwayne D. Summers**, Destin, Fla.

*Primary Examiner*—Doris V. Coles  
*Attorney, Agent, or Firm*—Hovey, Williams, Timmons & Collins

[73] Assignee: **Action Products, Co.**, Odessa, Fla.

### [57] CLAIM

[\*\*] Term: **14 Years**

The ornamental design for a pistol carrying and care case, as shown and described.

[21] Appl. No.: **16,762**

### DESCRIPTION

[22] Filed: **Dec. 27, 1993**

#### Related U.S. Application Data

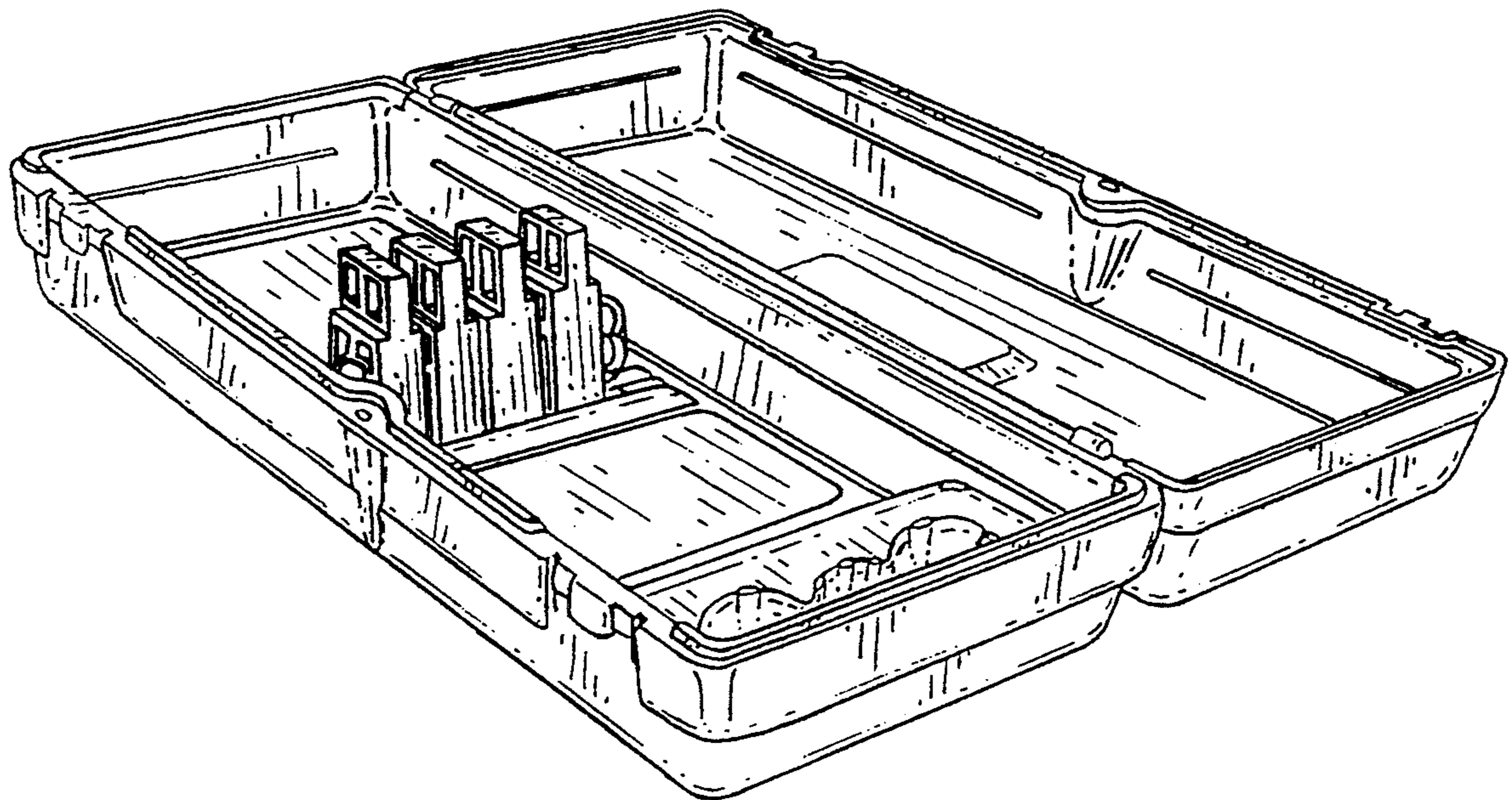
[63] Continuation-in-part of Ser. No. 4,318, Feb. 1, 1993.  
[52] U.S. Cl. .... **D3/262**  
[58] Field of Search ..... D3/262, 200, 283, 284,  
D3/295, 281, 282; 42/94, 95; 89/37.4;  
206/315.1, 315.11, 317, 579, 373; 269/296, 317,  
258, 901, 275

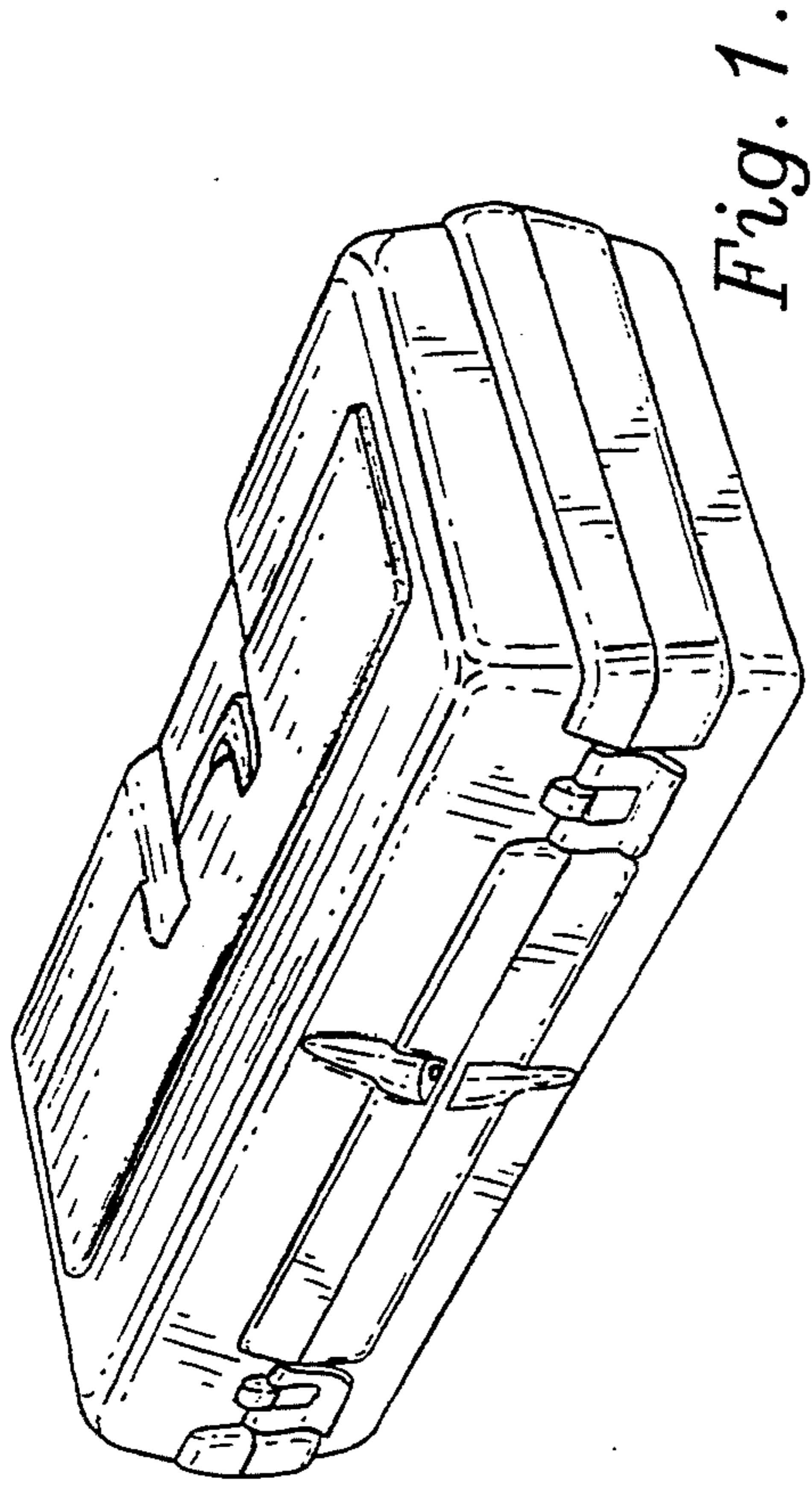
FIG. 1 is a front perspective view of the pistol carrying and care case;  
FIG. 2 is a similar front perspective view with the case being open;  
FIG. 3 is a front elevational view;  
FIG. 4 is a rear elevational view;  
FIG. 5 is an elevational view of one end of the case, the other end being identical in appearance;  
FIG. 6 is a top plan view;  
FIG. 7 is a bottom plan view;  
FIG. 8 is a top plan view of the case in an open condition;  
FIG. 9 is a front elevational view of the case in an open condition;  
FIG. 10 is a rear elevational view of the case in an open condition;  
FIG. 11 is a side elevational view of the case in an open condition; and,  
FIG. 12 is a bottom plan view of the case in an open condition.

#### [56] References Cited

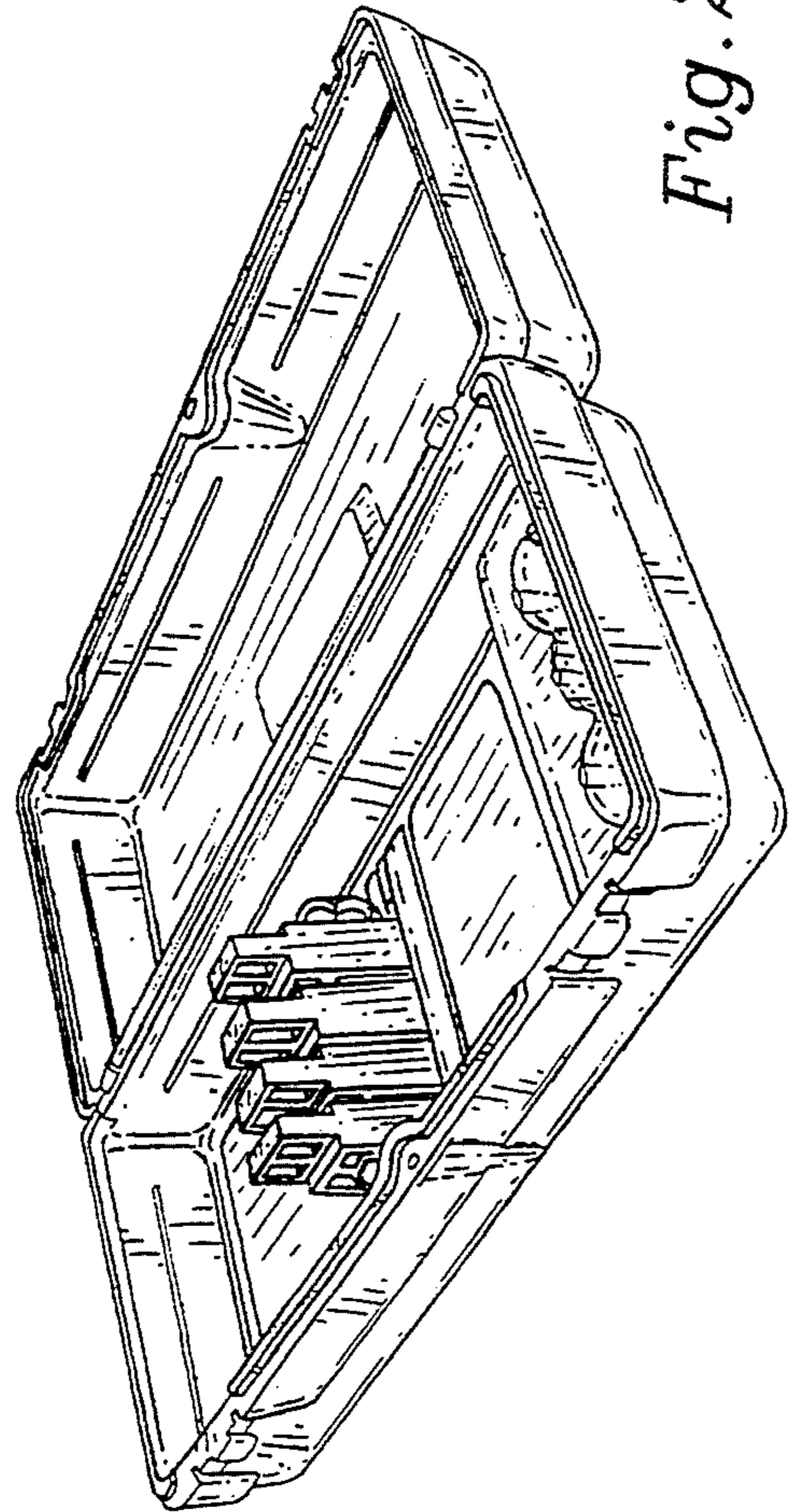
##### U.S. PATENT DOCUMENTS

D. 205,579 8/1966 Schurman ..... D3/281  
D. 220,021 2/1971 Bruening ..... D3/281  
D. 228,580 10/1973 Schurman ..... D3/281  
D. 269,648 7/1983 Wilcox et al. .... D3/282  
D. 314,273 2/1991 Minneman ..... D3/262  
D. 339,470 9/1993 Marks ..... D3/262  
D. 343,063 1/1994 Chen ..... D3/282  
3,612,335 10/1971 Schurman ..... D3/281 X  
4,702,029 10/1987 DeVaul et al. .... 42/94

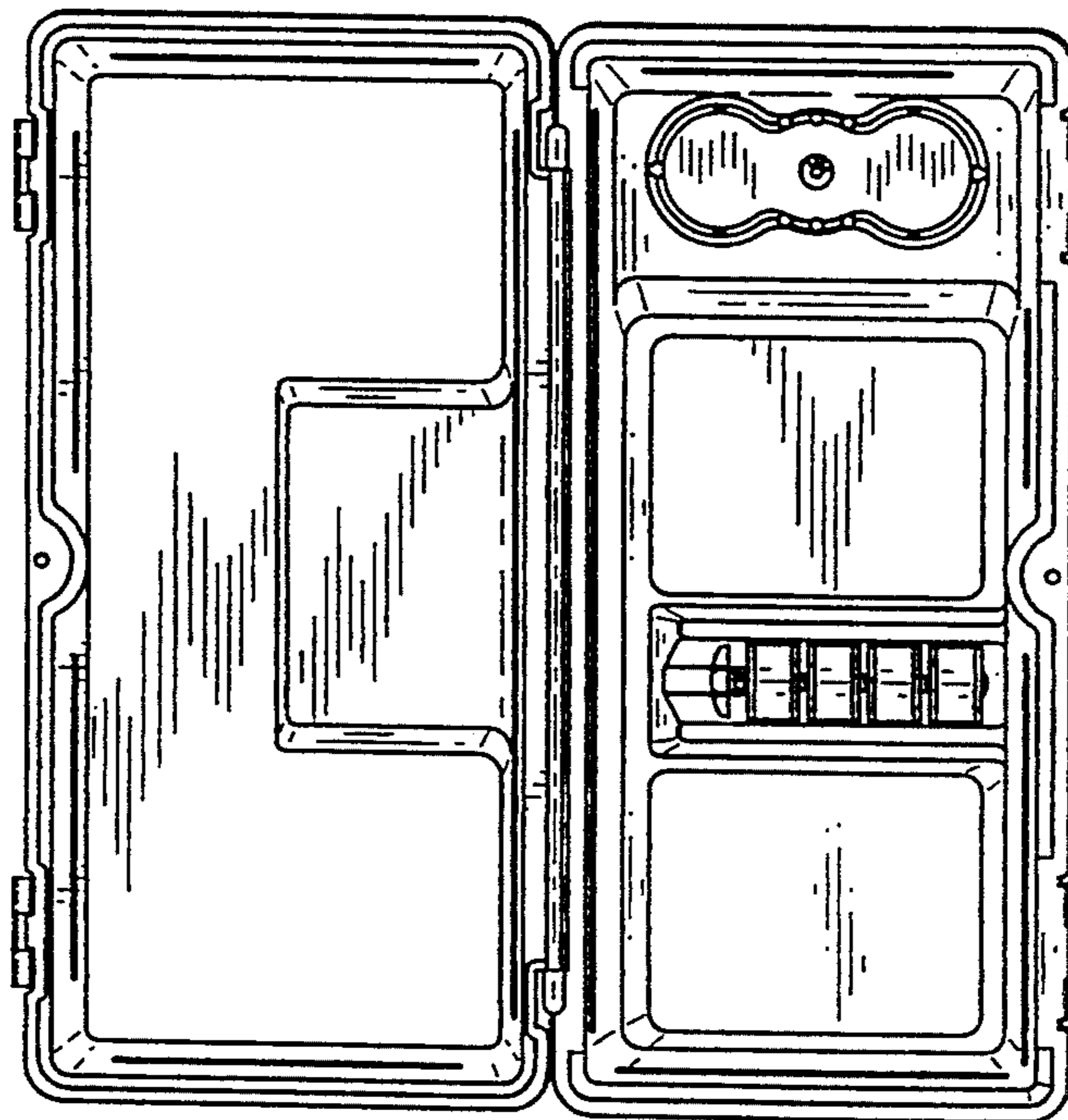




*Fig. 1.*

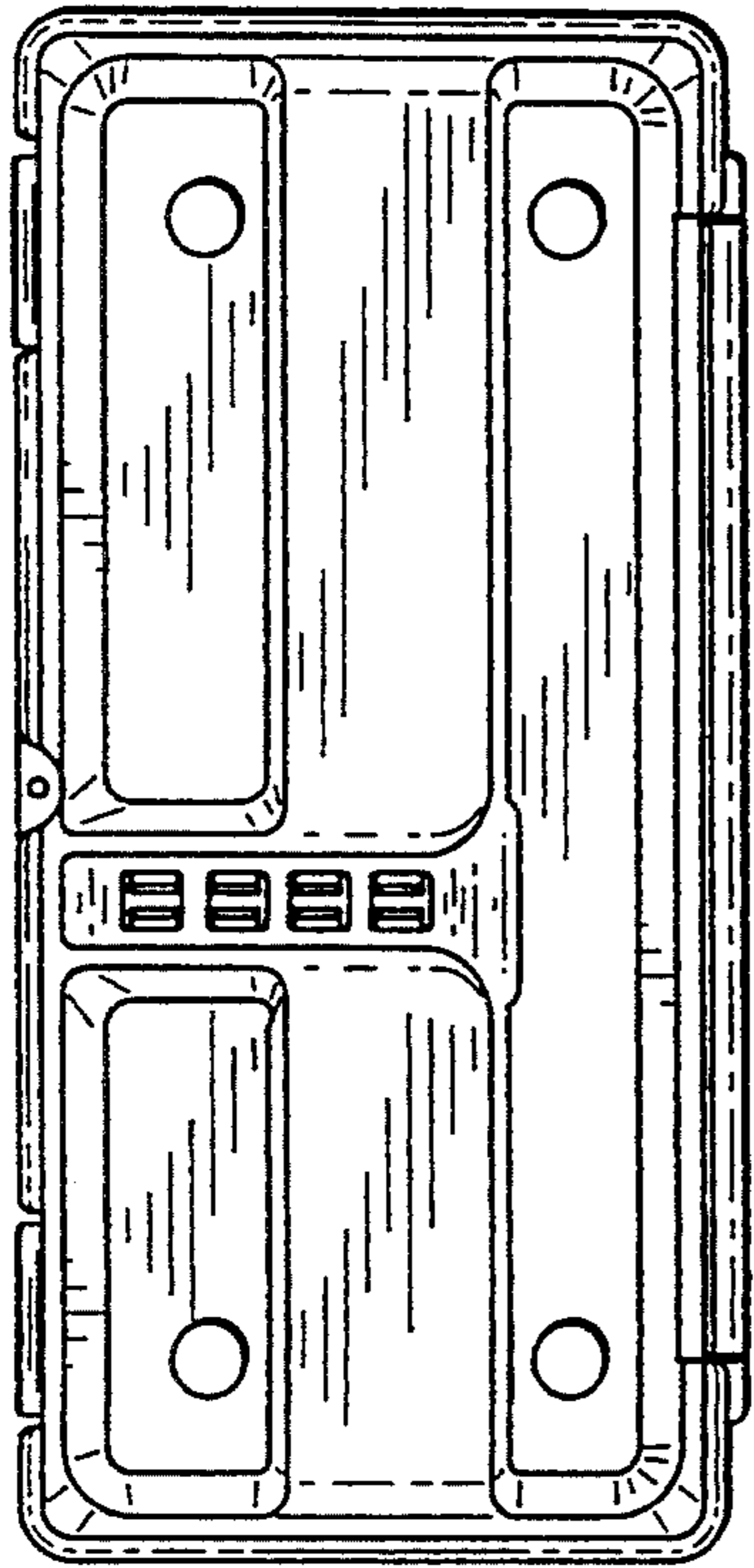


*Fig. 2.*

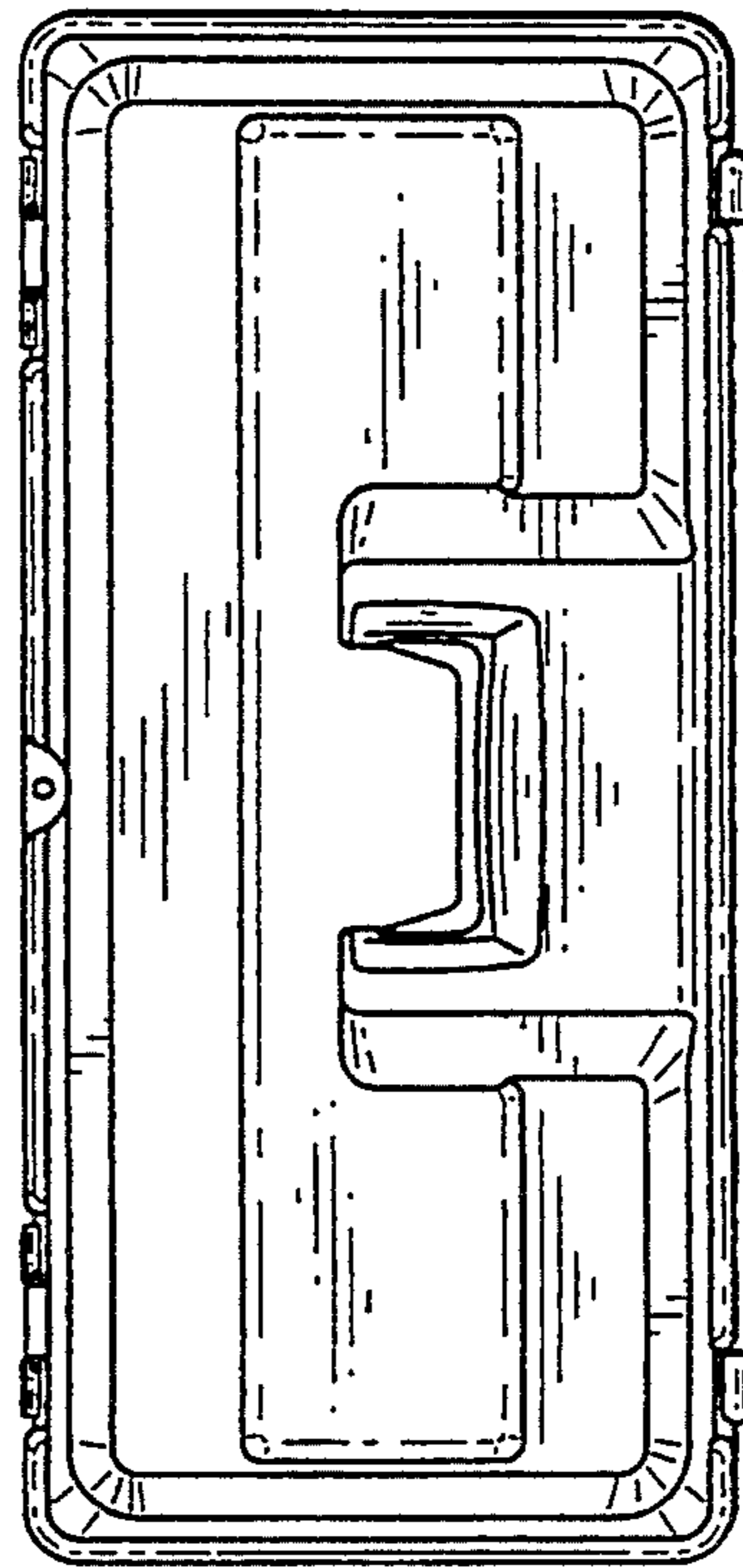


*Fig. 8.*

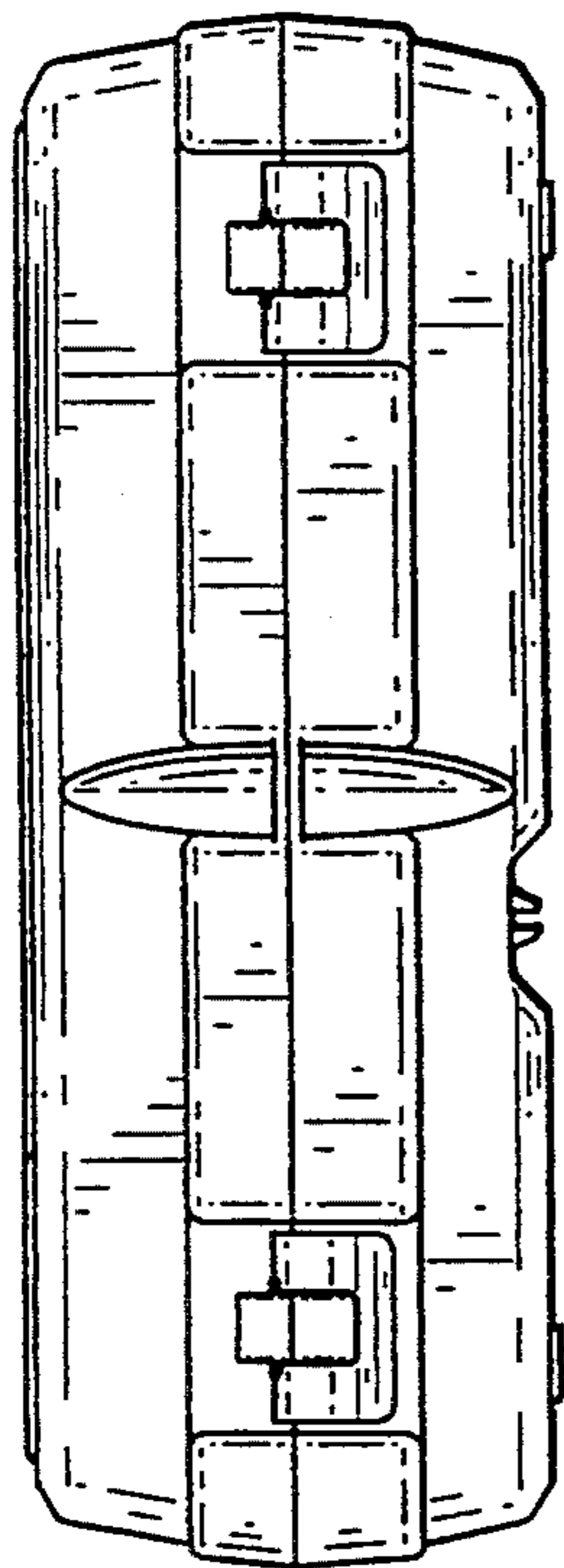




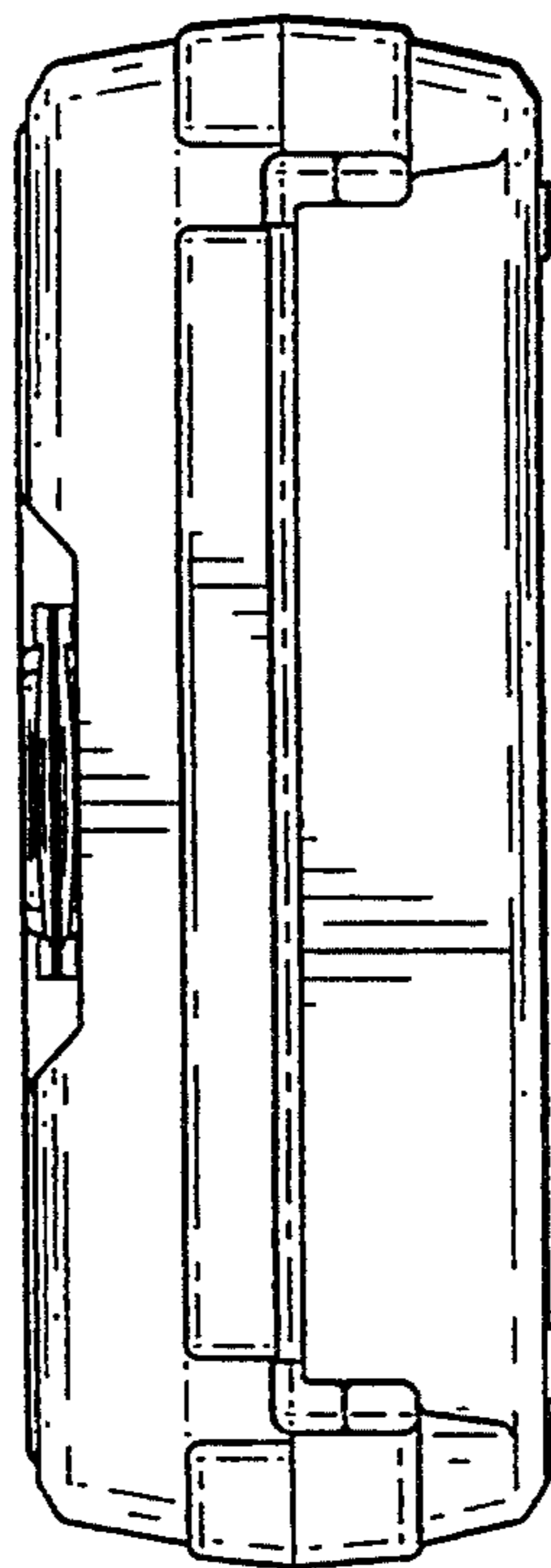
*Fig. 7.*



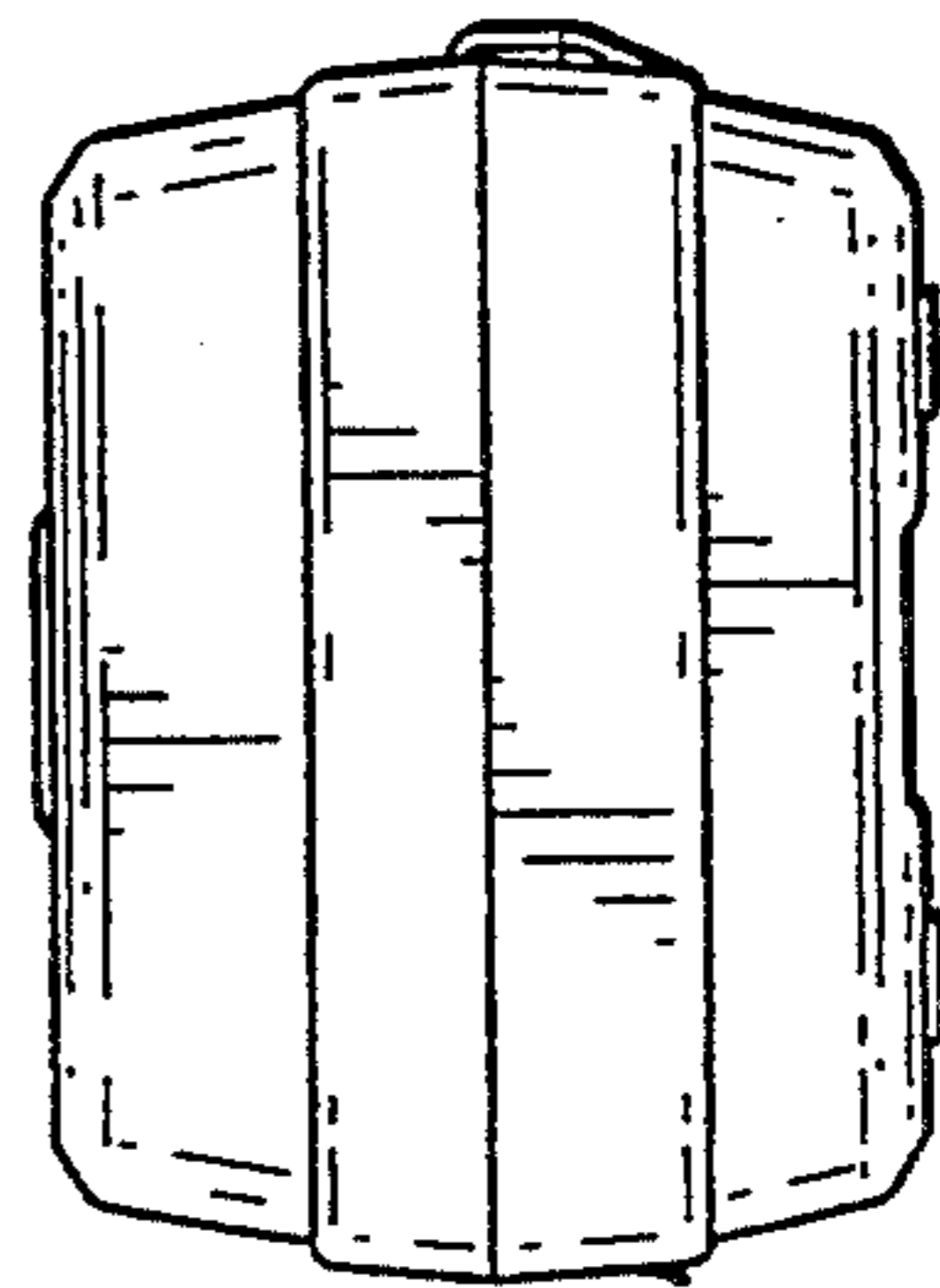
*Fig. 6.*



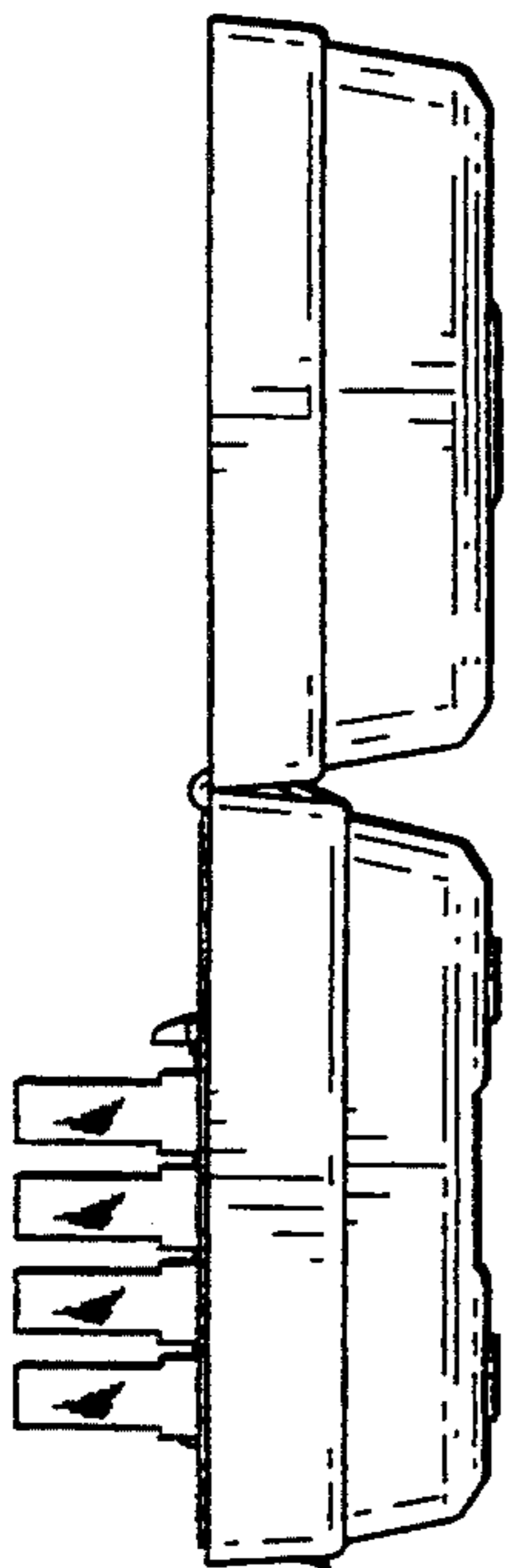
*Fig. 3.*



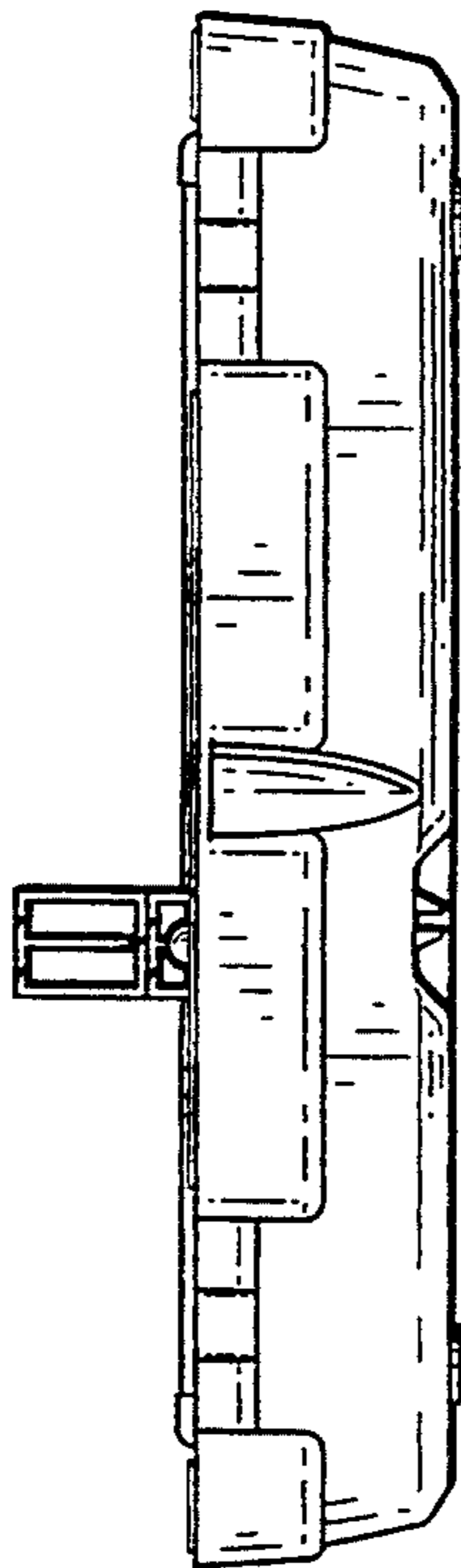
*Fig. 4.*



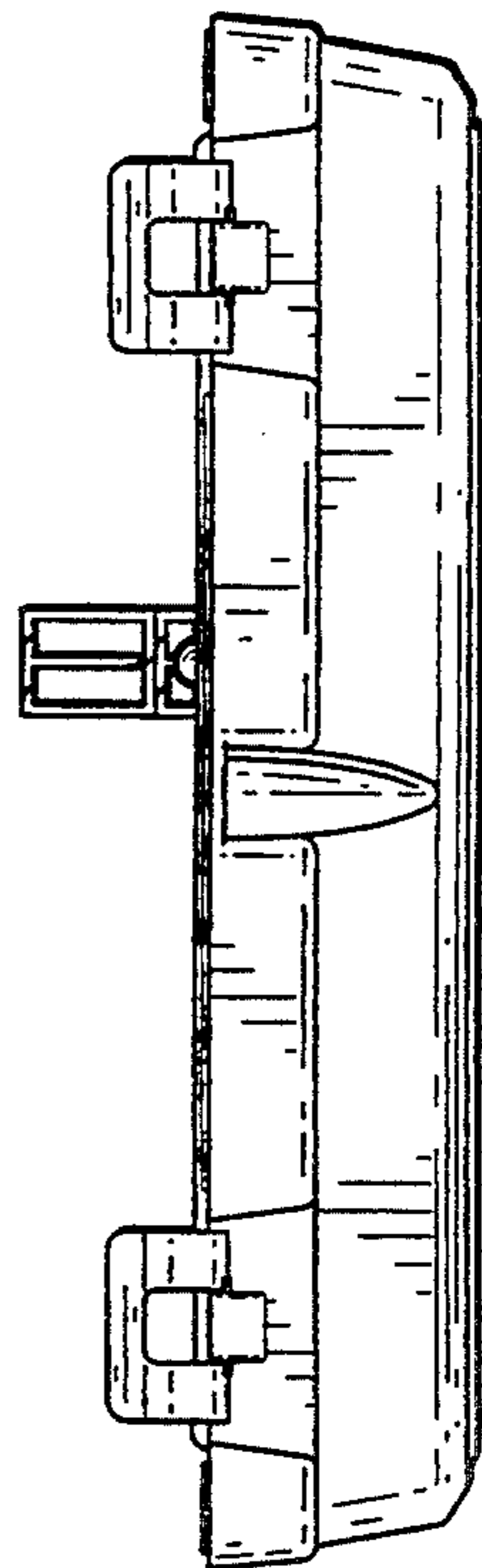
*Fig. 5.*



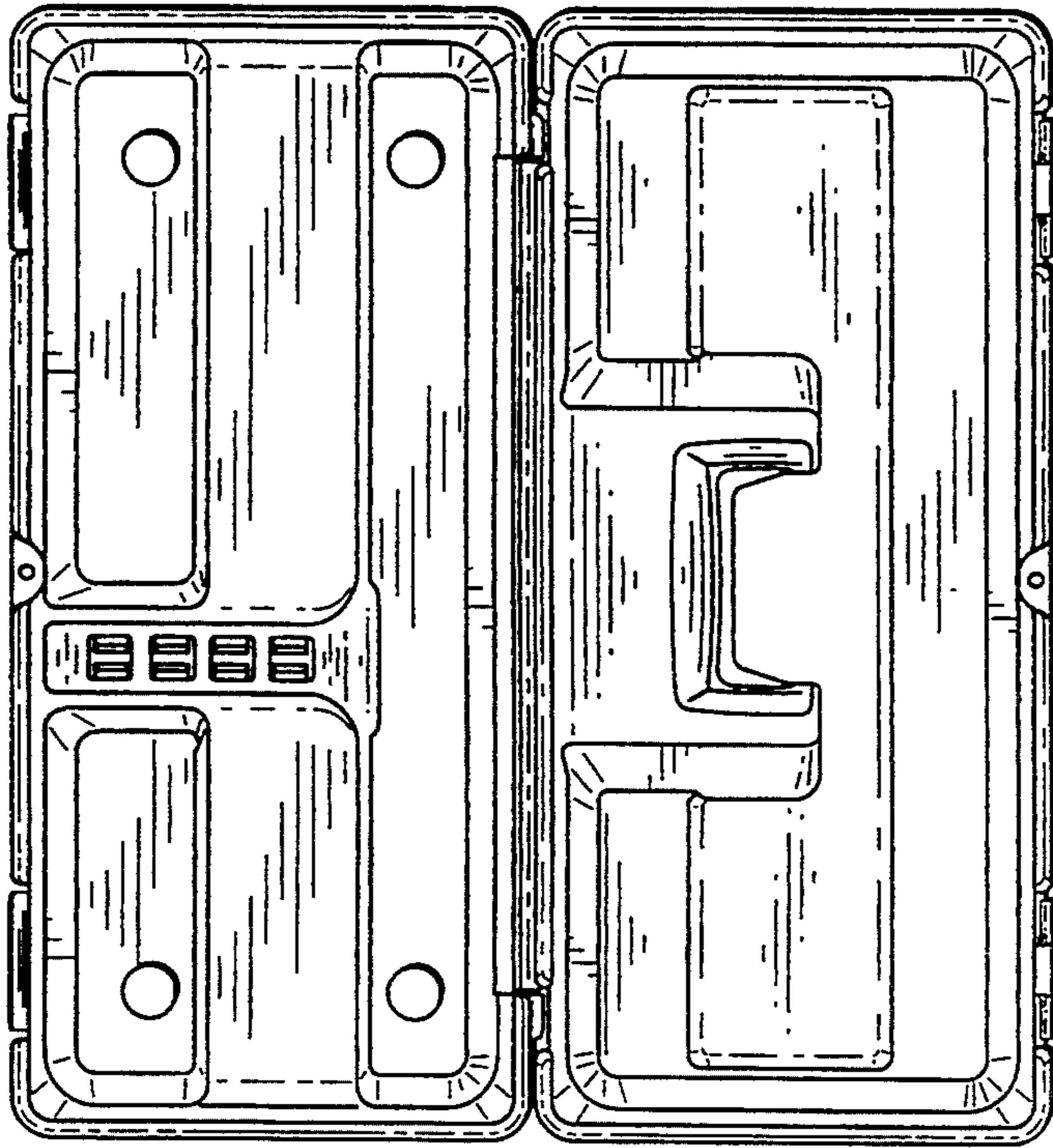
*Fig. 11.*



*Fig. 10.*



*Fig. 9.*



*Fig. 12.*