



US00D362114S

# United States Patent [19]

[11] Patent Number: **Des. 362,114**

Simhon

[45] Date of Patent: **\*\* Sep. 12, 1995**

[54] **WALLET FOR BUSINESS CARDS AND NOTEPAD**

4,928,814 5/1990 Rondot et al. .... 206/215

[76] Inventor: **Andre Simhon**, 16, Route du Camp, CH-1228 Plan-les-Ouates, Switzerland

### FOREIGN PATENT DOCUMENTS

353680 7/1931 United Kingdom ..... 150/143

[\*\*] Term: **14 Years**

*Primary Examiner*—Theodore M. Shooman  
*Assistant Examiner*—C. Tuttle  
*Attorney, Agent, or Firm*—Ostrolenk, Faber, Gerb & Soffen

[21] Appl. No.: **2,670**

[22] Filed: **Dec. 18, 1992**

### [57] CLAIM

The ornamental design for a wallet for business cards and notepad, as shown and described.

### [30] Foreign Application Priority Data

### DESCRIPTION

Jun. 19, 1992 [CH] Switzerland ..... 023,119

[52] U.S. Cl. .... **D3/247; D19/26**

[58] Field of Search ..... D3/77, 78, 247-250, D3/253; 206/104, 425; D9/304; 2/247, 250; D19/26, 27, 86

FIG. 1 is a perspective view of a wallet for business cards and notepad showing my new design in a partially opened condition;

FIG. 2 is a plan view of the wallet blank, shown on a reduced scale;

FIG. 3 is a front view of the wallet in a closed condition;

FIG. 4 is a top view thereof;

FIG. 5 is a left side view thereof;

FIG. 6 is a right side view thereof;

FIG. 7 is a rear view thereof; and,

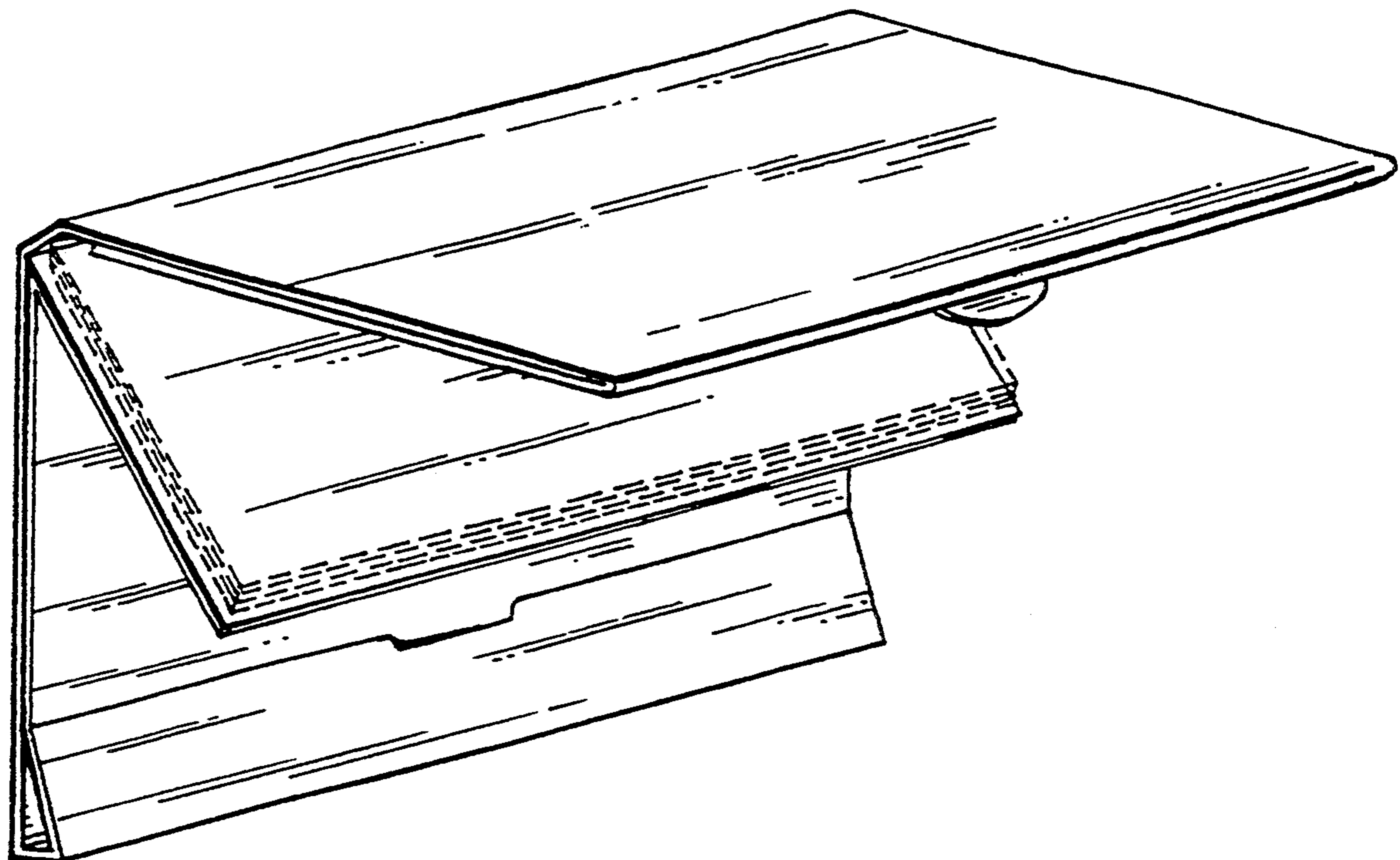
FIG. 8 is a bottom view thereof.

The broken line showing of a notepad and business cards is for illustrative purposes only and forms no part of the claimed design.

### [56] References Cited

#### U.S. PATENT DOCUMENTS

- D. 138,131 6/1944 Aranoff et al. .... D19/26
- D. 139,888 1/1945 Moses ..... D3/77 X
- D. 288,263 2/1987 Pagano ..... D3/249
- 773,392 10/1904 Holsapple ..... 2/250 X
- 2,748,821 6/1956 Hutchinson ..... 150/141
- 2,861,369 11/1958 Widmaier ..... D19/26 X
- 3,162,227 12/1964 Bakken ..... 150/132 X
- 3,500,998 3/1970 Sanders ..... D9/304 X
- 3,870,223 3/1975 Wyant ..... 150/135 X



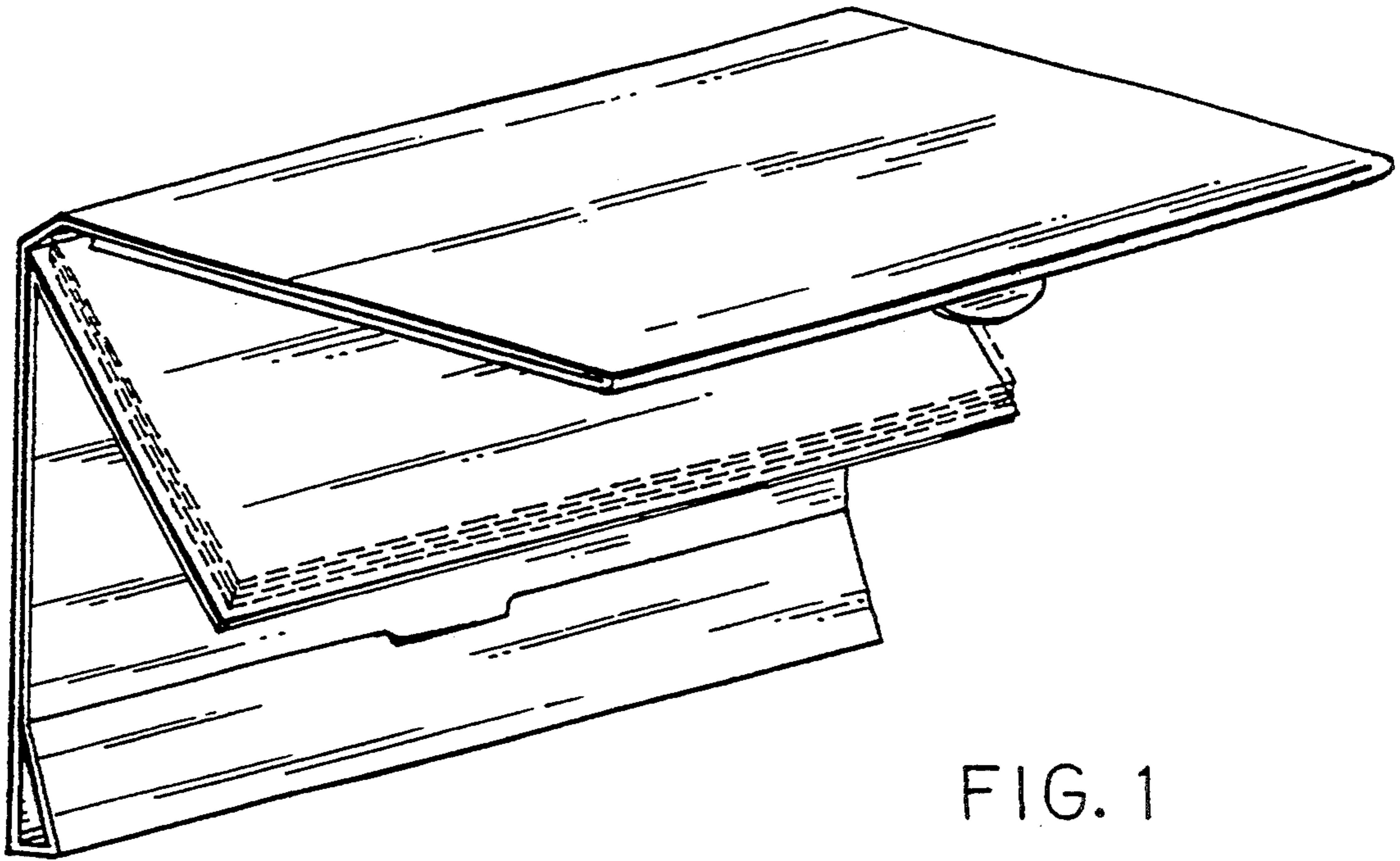


FIG. 1

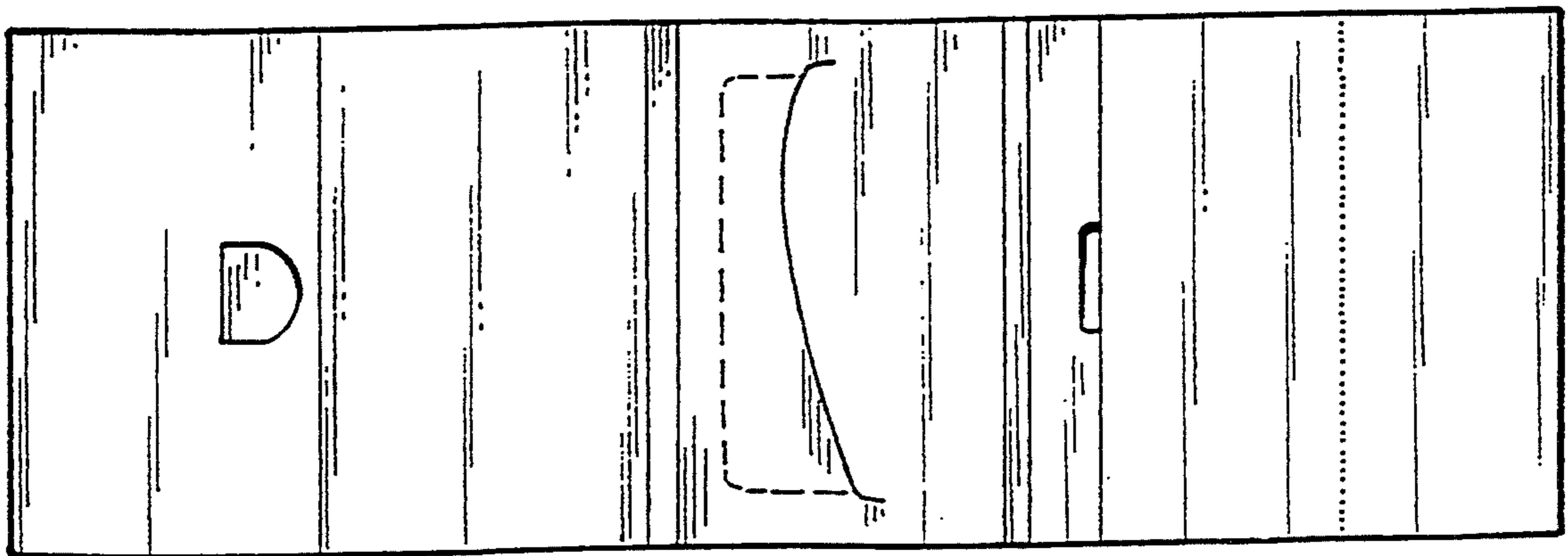


FIG. 2



FIG. 3



FIG. 5

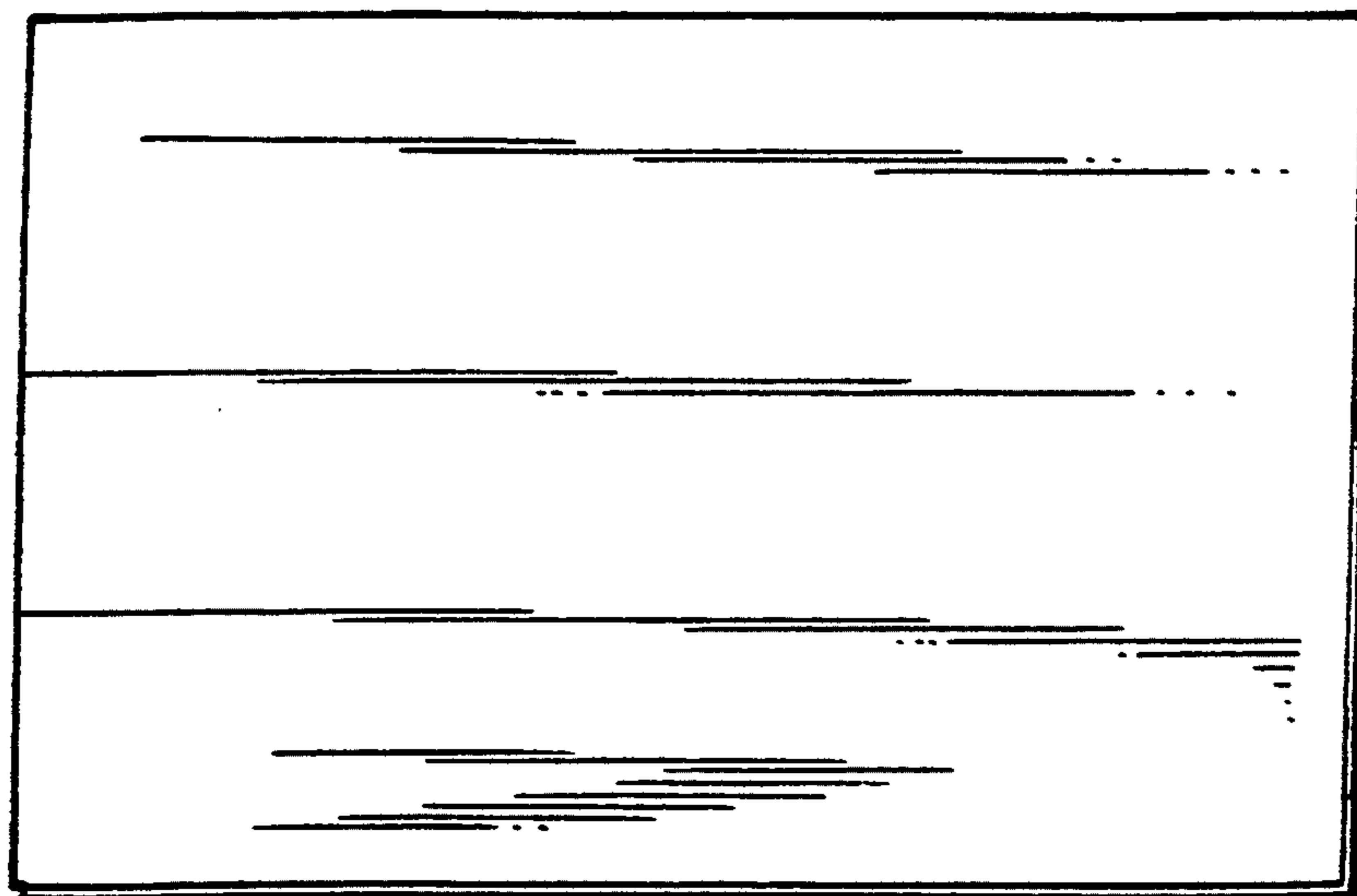


FIG. 4



FIG. 6



FIG. 7

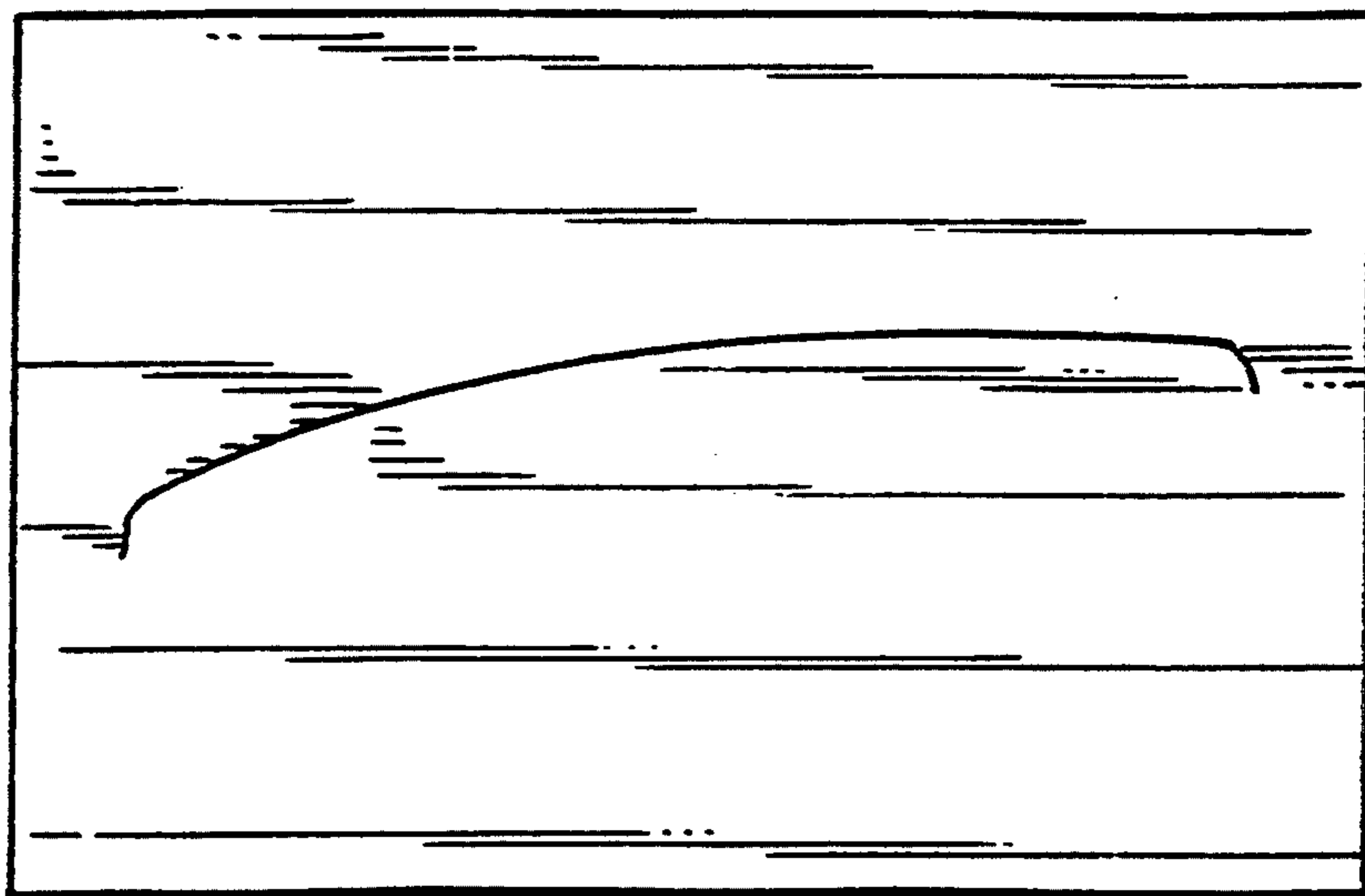


FIG. 8