



US00D362113S

United States Patent [19]

[11] Patent Number: **Des. 362,113**

Markowitz

[45] Date of Patent: **** Sep. 12, 1995**

[54] INFLATABLE SHOE STUFFING

[76] Inventor: **Edward Markowitz, 277 Prospect Ave., Hackensack, N.J. 07602**

[**] Term: **14 Years**

[21] Appl. No.: **13,651**

[22] Filed: **Sep. 14, 1993**

[52] U.S. Cl. **D2/979**

[58] Field of Search **D2/961, 979; 12/114.2, 12/114.4; 223/67**

[56] References Cited

U.S. PATENT DOCUMENTS

D. 346,064	4/1994	Markowitz	D2/979
D. 350,017	8/1994	Sarkinen	D2/961
1,893,795	1/1933	Chapman	12/14.4
3,483,580	12/1969	Cherry et al.	12/114.4

Primary Examiner—Doris V. Coles

Attorney, Agent, or Firm—Kirschstein, et al.

[57] CLAIM

The ornamental design for an inflatable shoe stuffing, as shown and described.

DESCRIPTION

FIG. 1 is a perspective view of a first embodiment of an inflatable shoe stuffing showing my new design;

FIG. 2 is a front elevational view thereof;

FIG. 3 is a top plan view thereof;

FIG. 4 is a left side elevational view thereof, the right side being a mirror image;

FIG. 5 is a rear elevational view thereof;

FIG. 6 is a bottom plan view thereof;

FIG. 7 is a perspective view of a second embodiment of an inflatable shoe stuffing showing my new design;

FIG. 8 is a front elevational view thereof;

FIG. 9 is a top plan view thereof;

FIG. 10 is a left side elevational view thereof, the right side being a mirror image;

FIG. 11 is a rear elevational view thereof;

FIG. 12 is a bottom plan view thereof;

FIG. 13 is a perspective view of a third embodiment of an inflatable shoe stuffing showing my new design;

FIG. 14 is a front elevational view thereof;

FIG. 15 is a top plan view thereof;

FIG. 16 is a left side elevational view thereof, the right side being a mirror image;

FIG. 17 is a rear elevational view thereof;

FIG. 18 is a bottom plan view thereof;

FIG. 19 is a perspective view of a fourth embodiment of an inflatable shoe stuffing showing my new design;

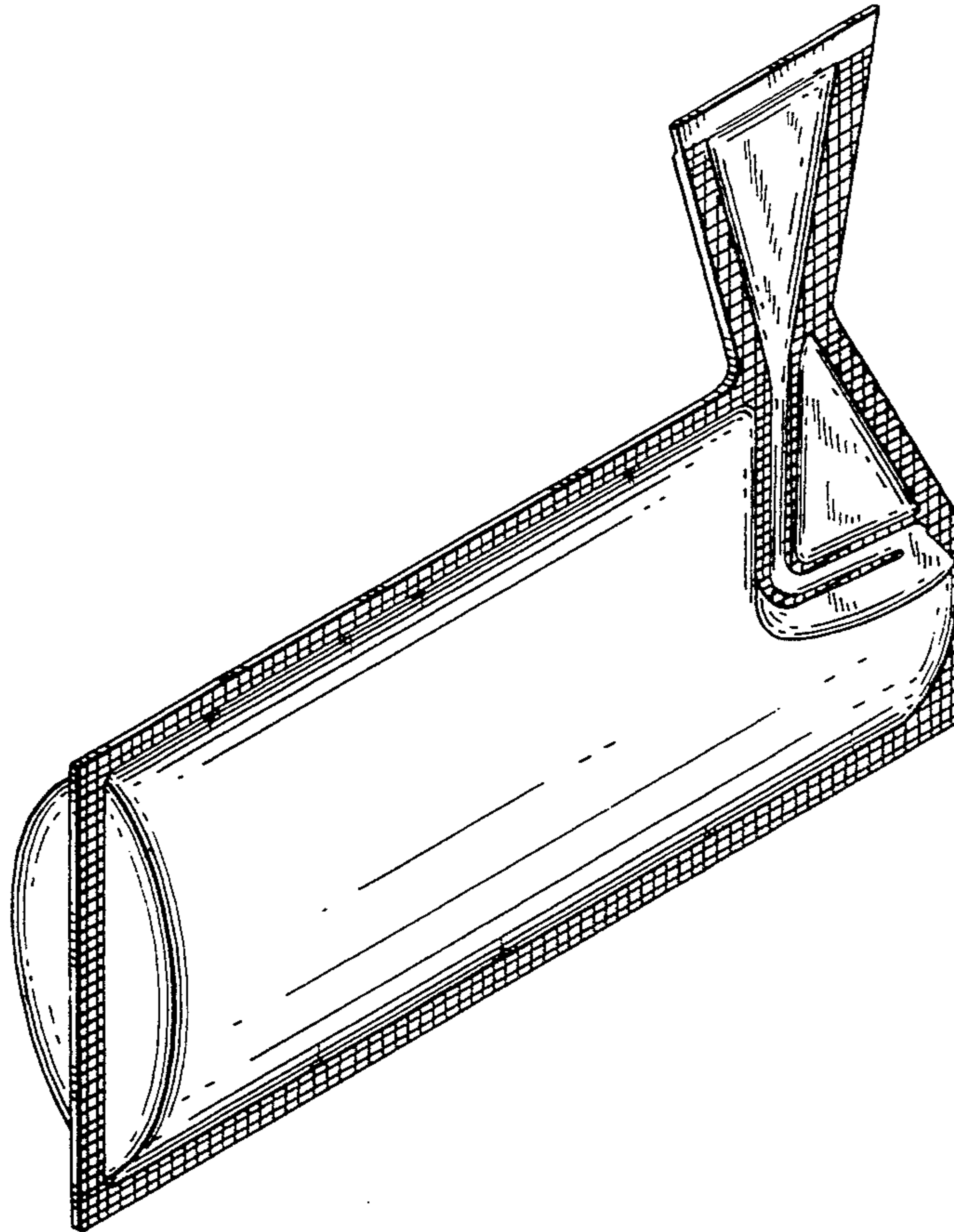
FIG. 20 is a front elevational view thereof;

FIG. 21 is a top plan view thereof;

FIG. 22 is a left side elevational view thereof, the right side being a mirror image;

FIG. 23 is a rear elevational view thereof; and,

FIG. 24 is a bottom plan view thereof.



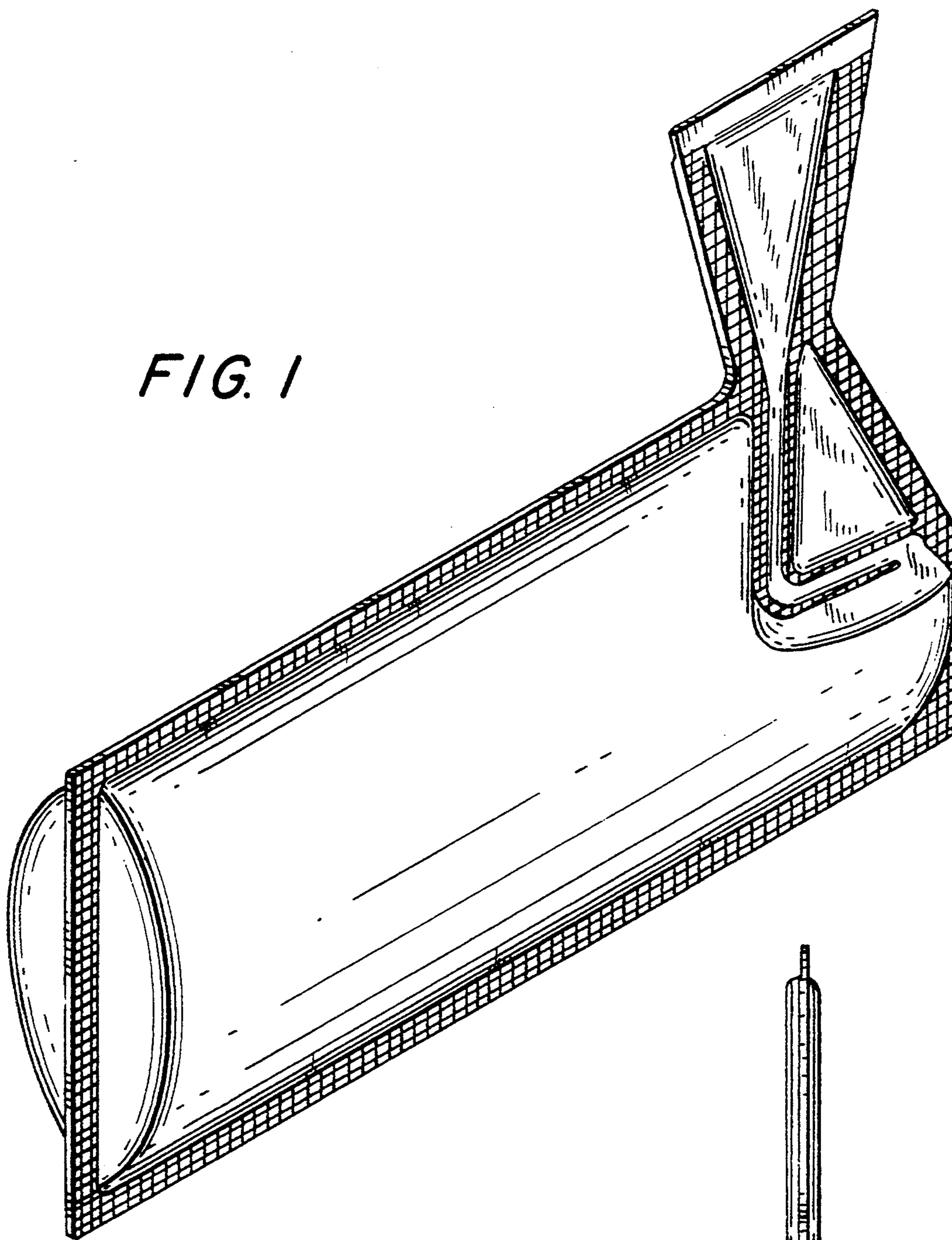


FIG. 1

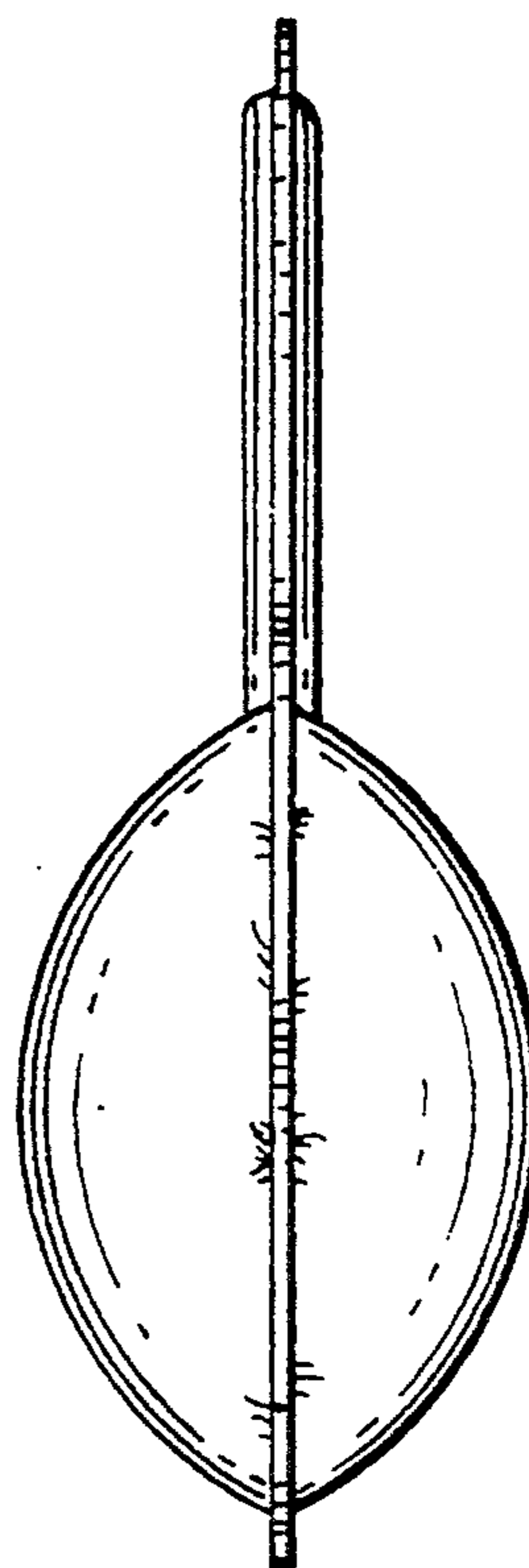


FIG. 2

FIG. 3

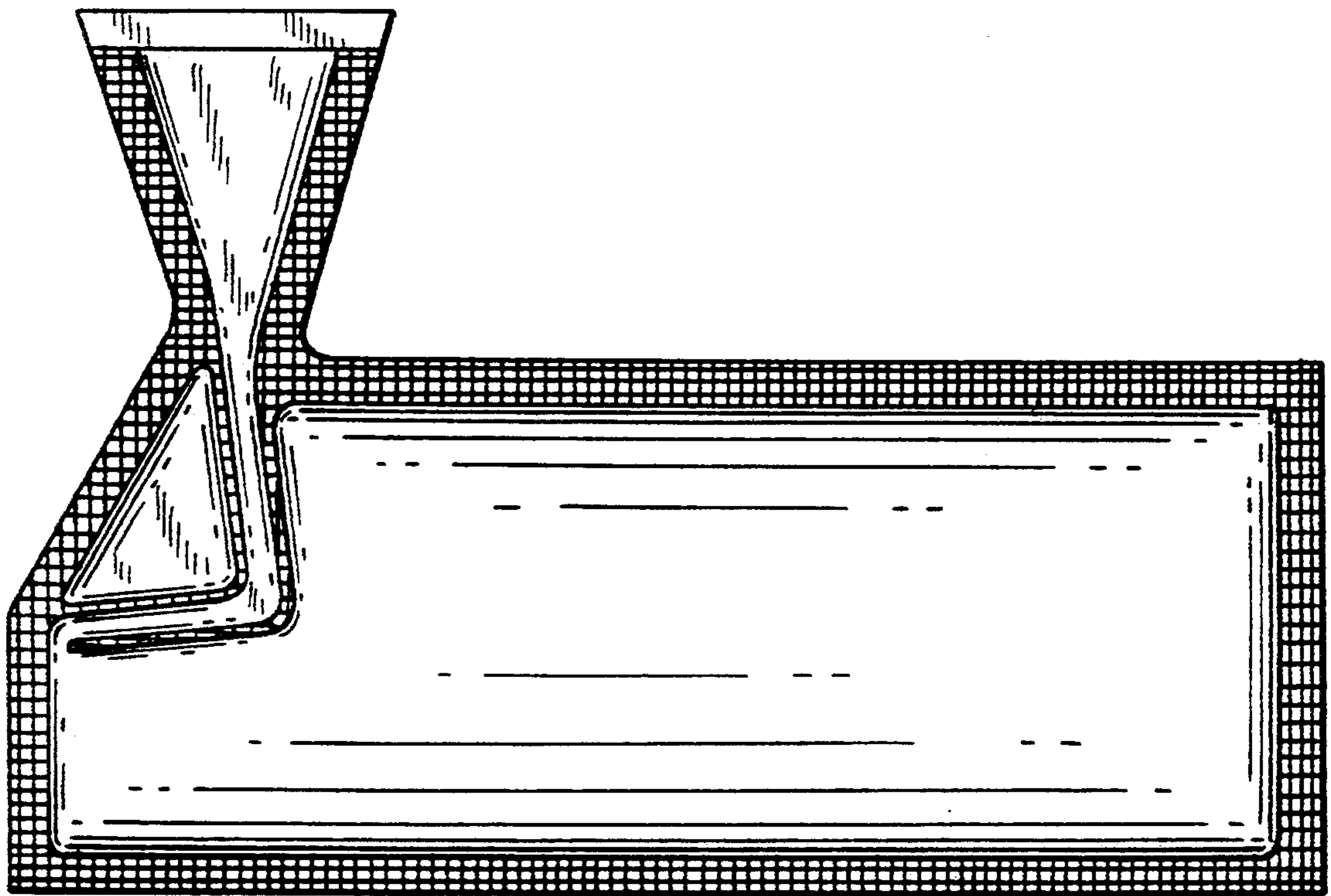
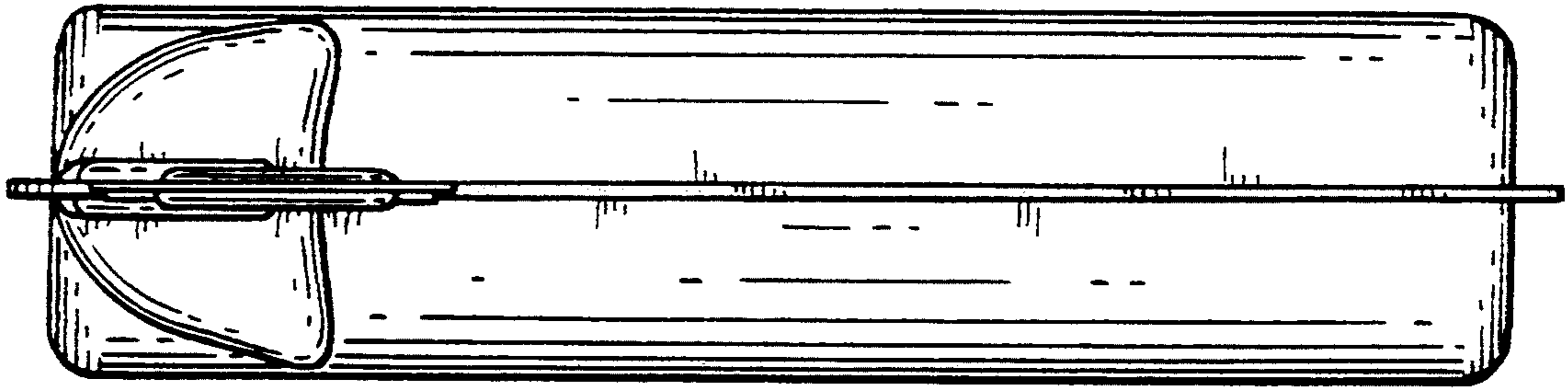


FIG. 4

FIG. 5

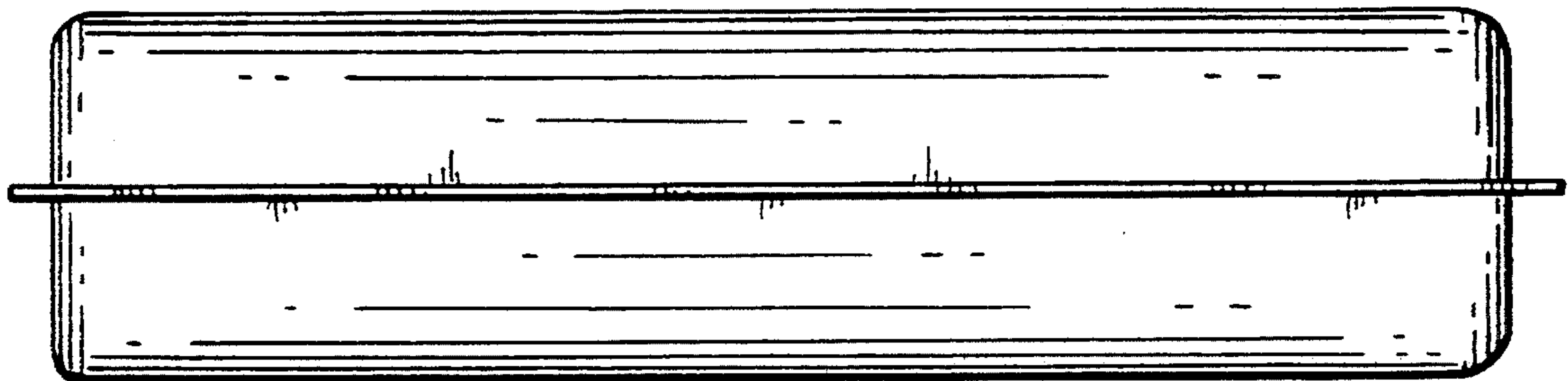
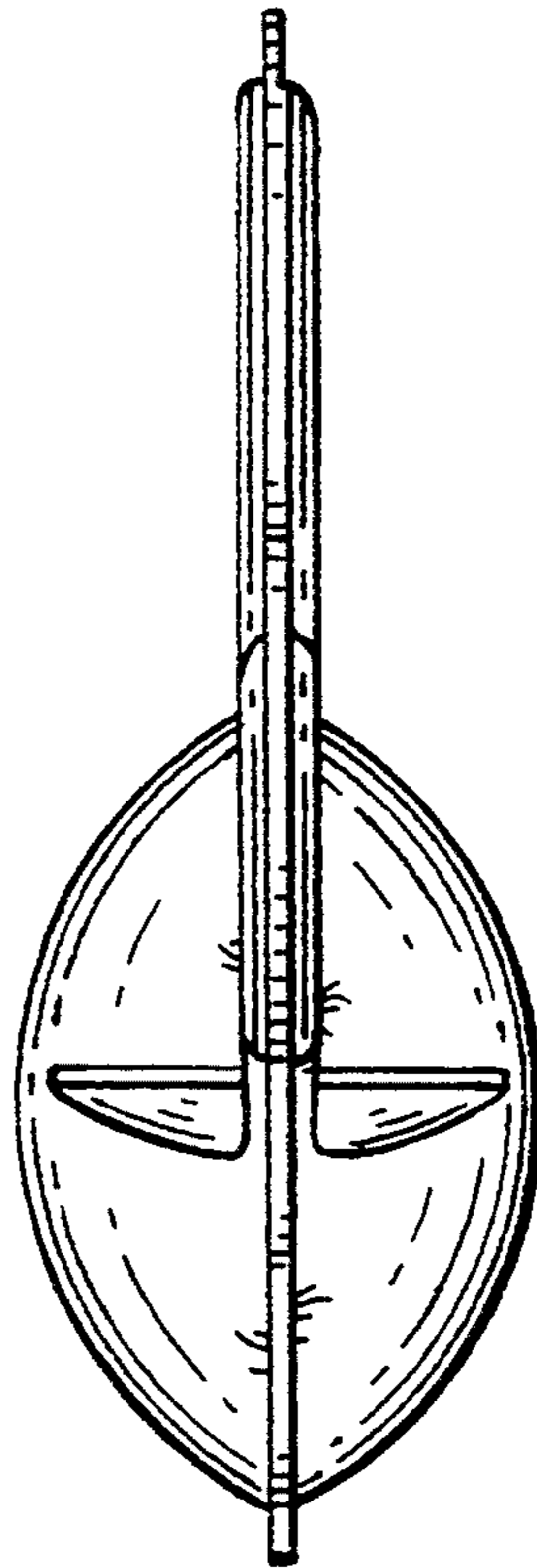


FIG. 6

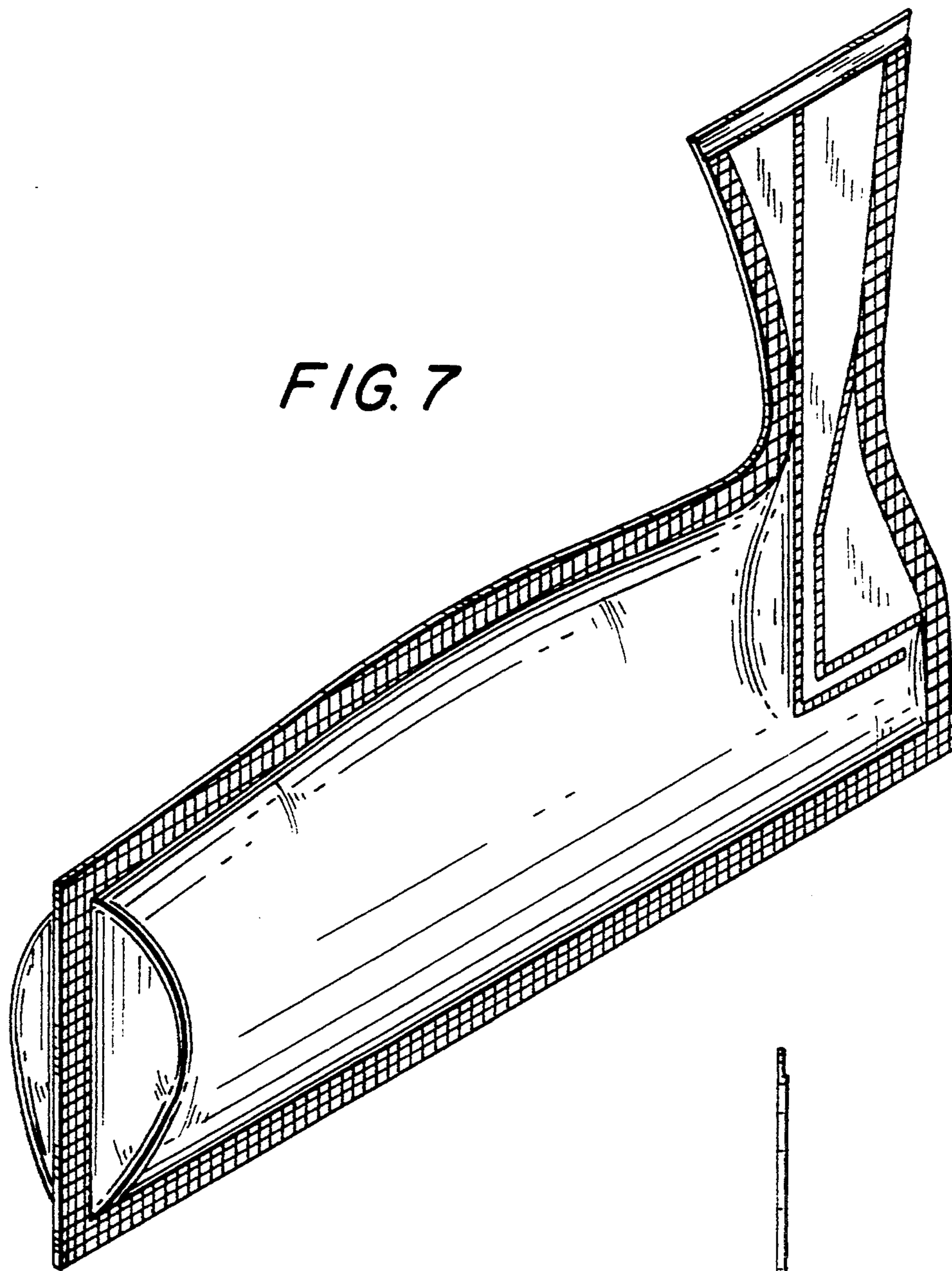


FIG. 7

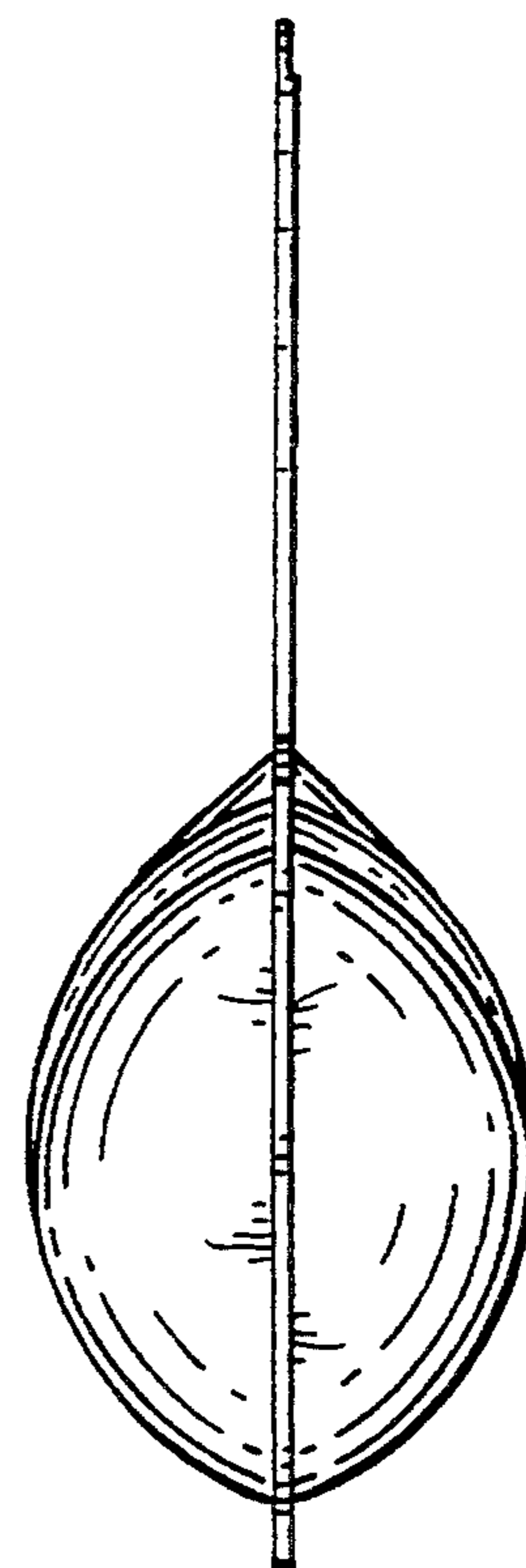


FIG. 8

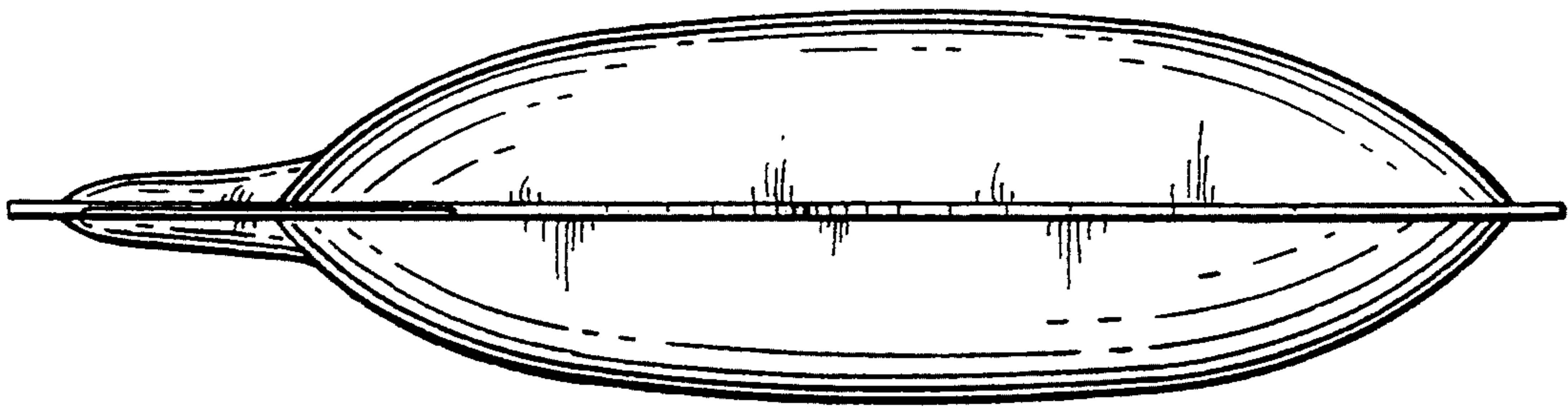


FIG. 9

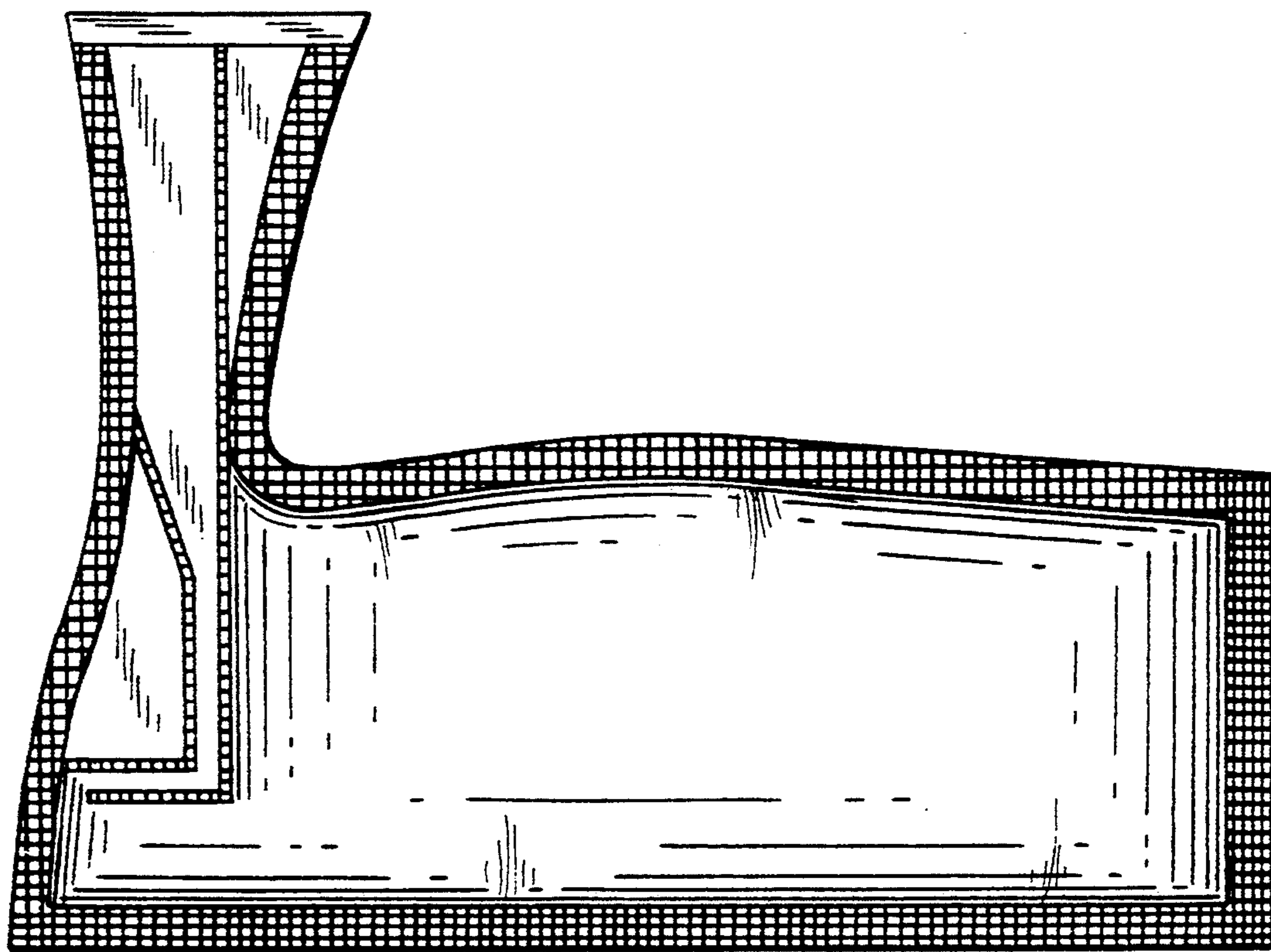


FIG. 10

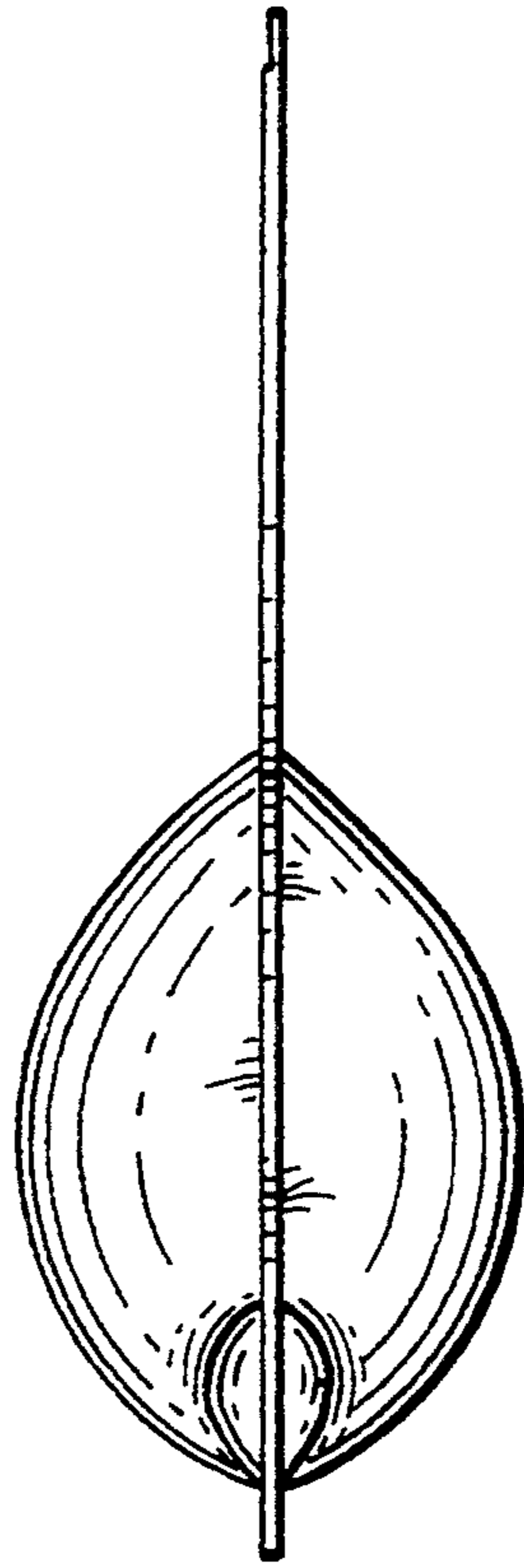


FIG. 11

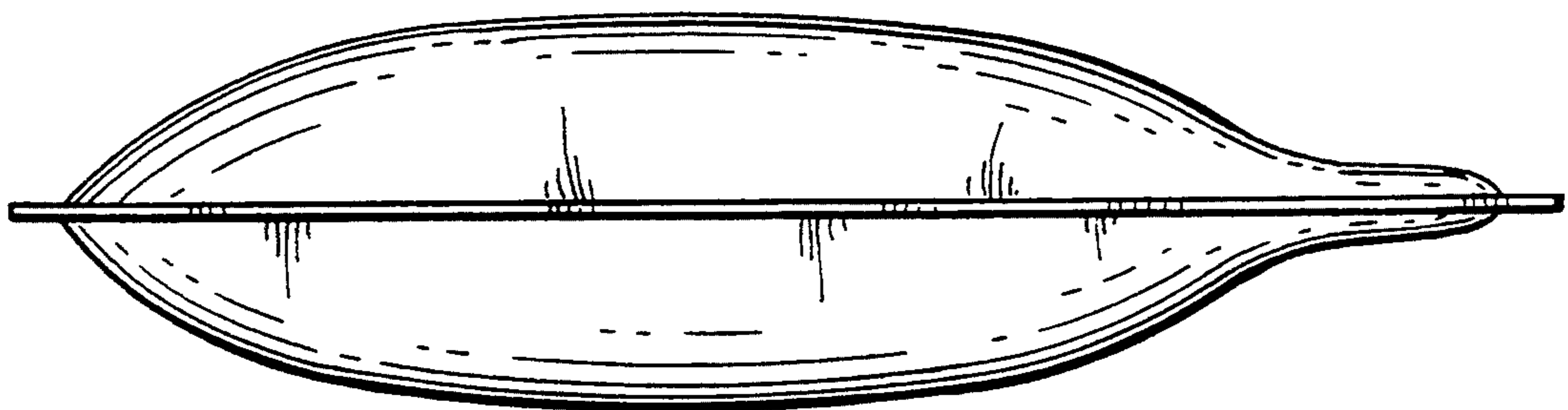


FIG. 12

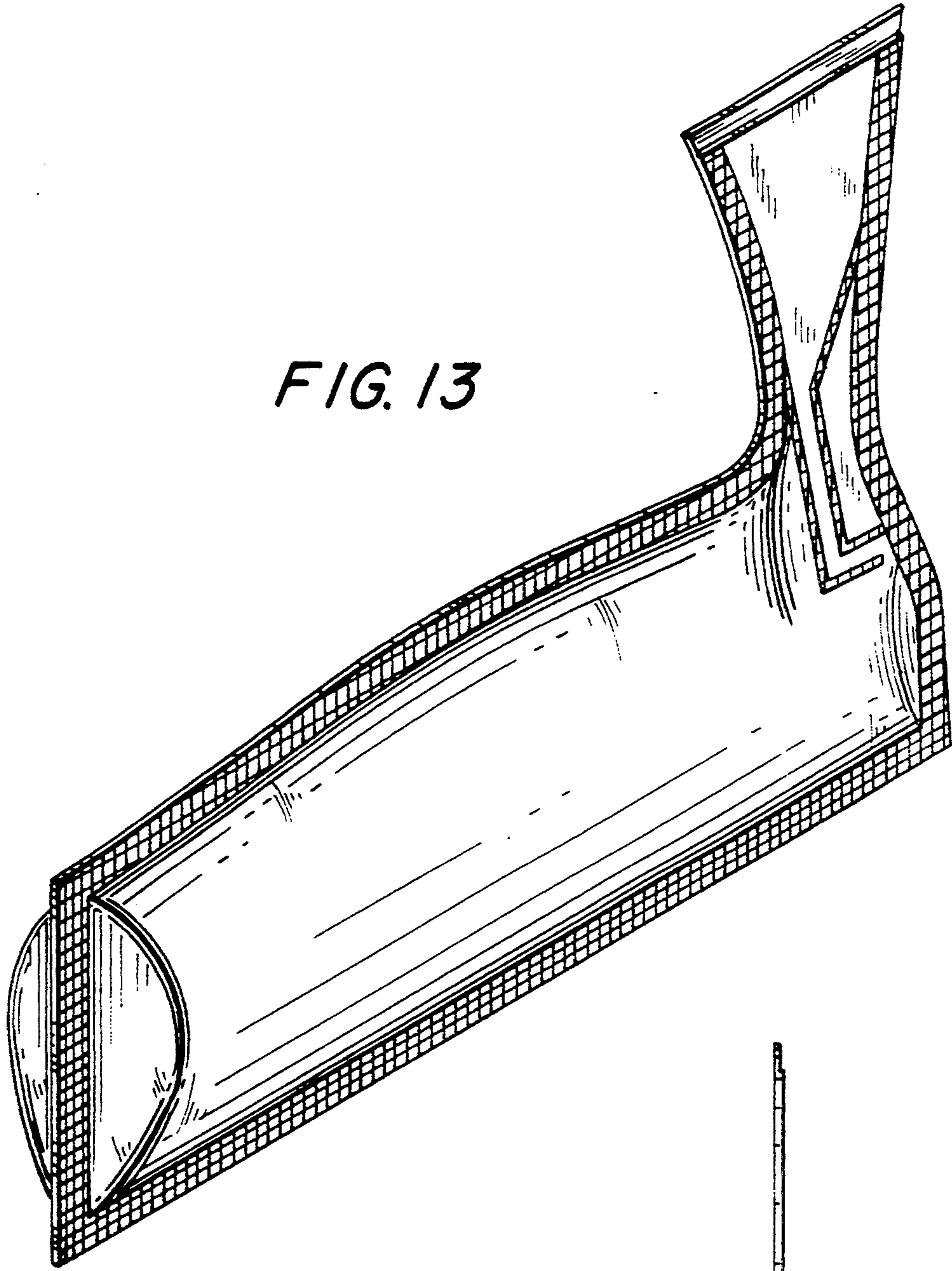


FIG. 13

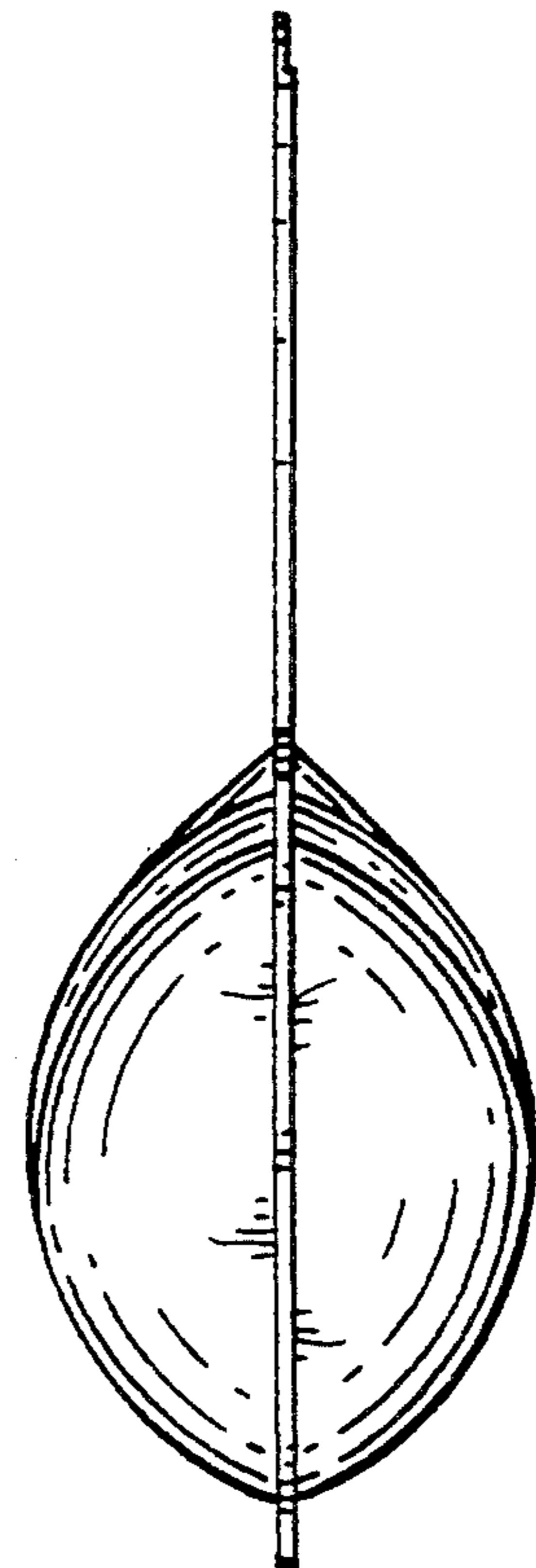


FIG. 14

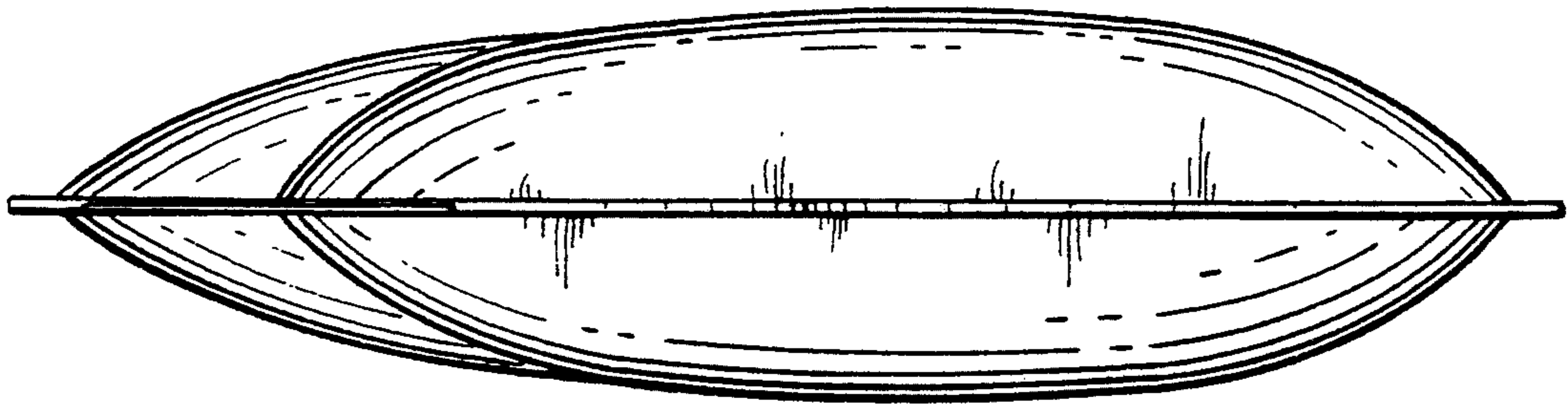


FIG. 15

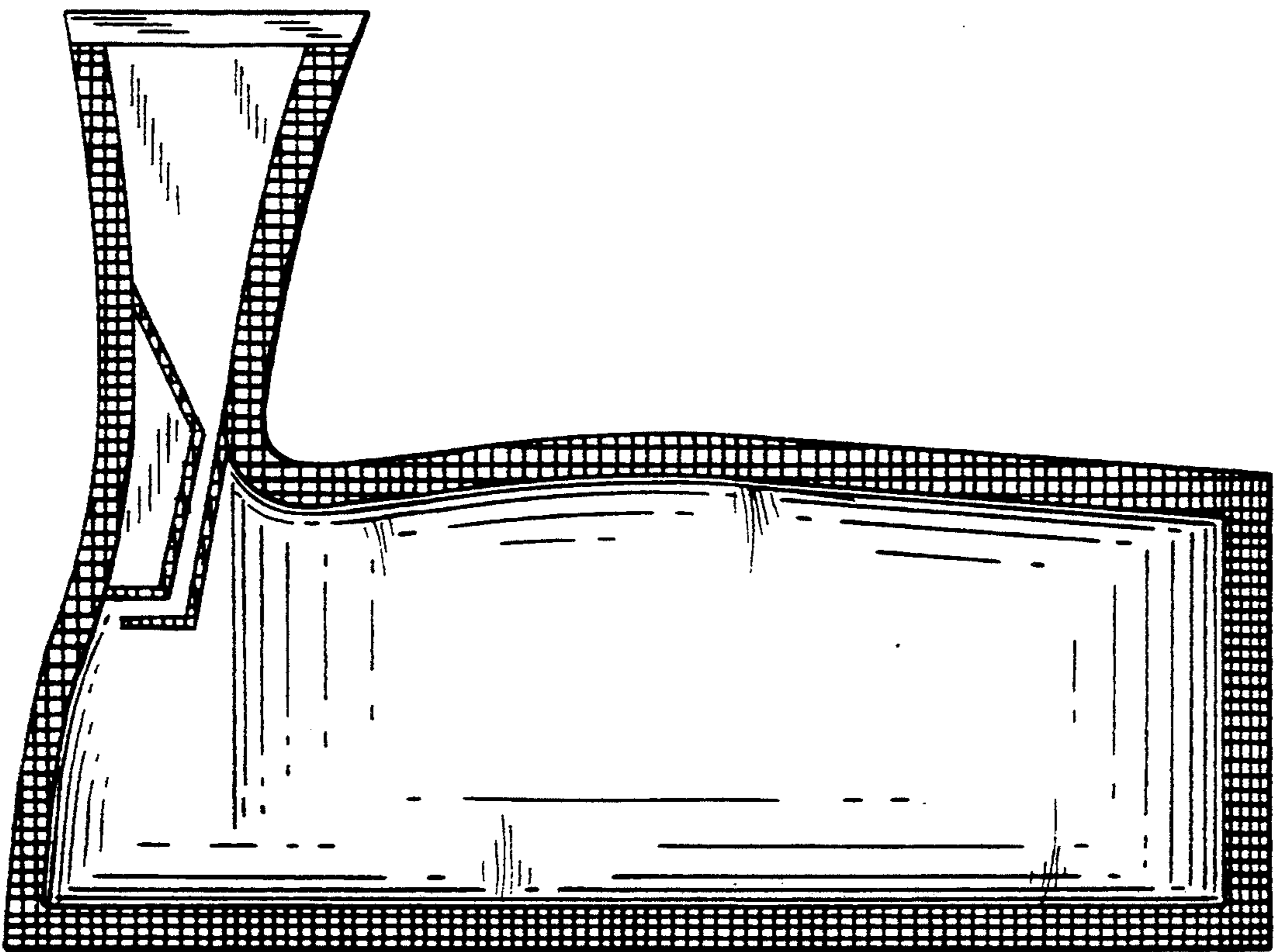


FIG. 16

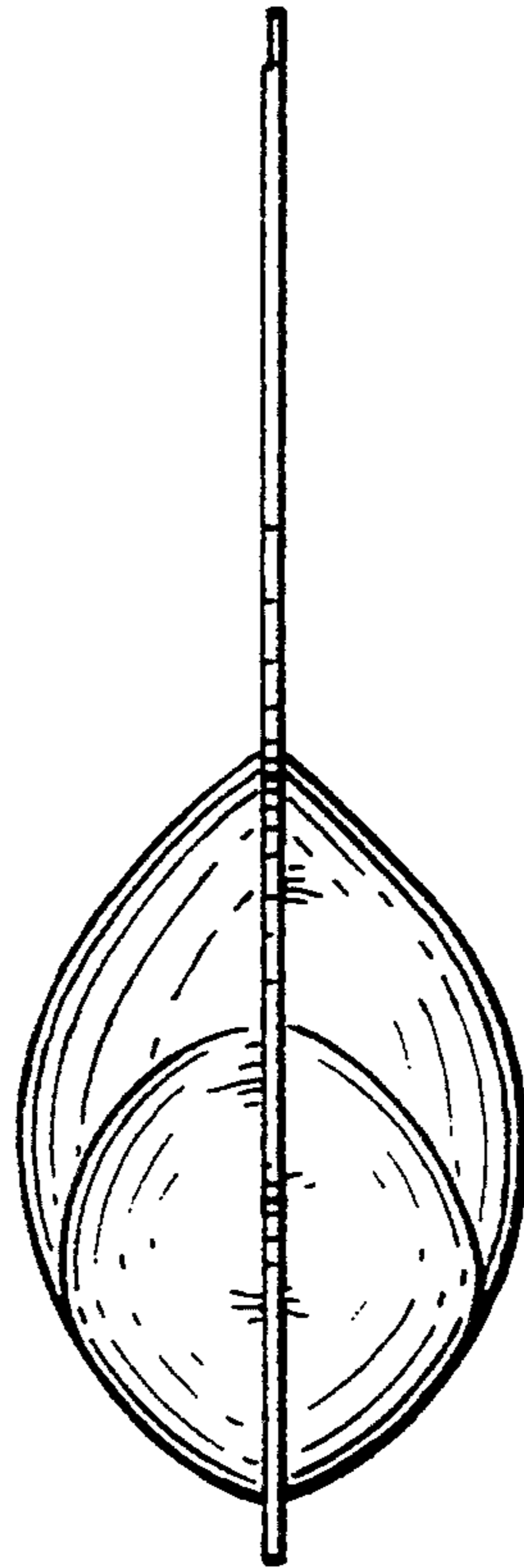


FIG. 17

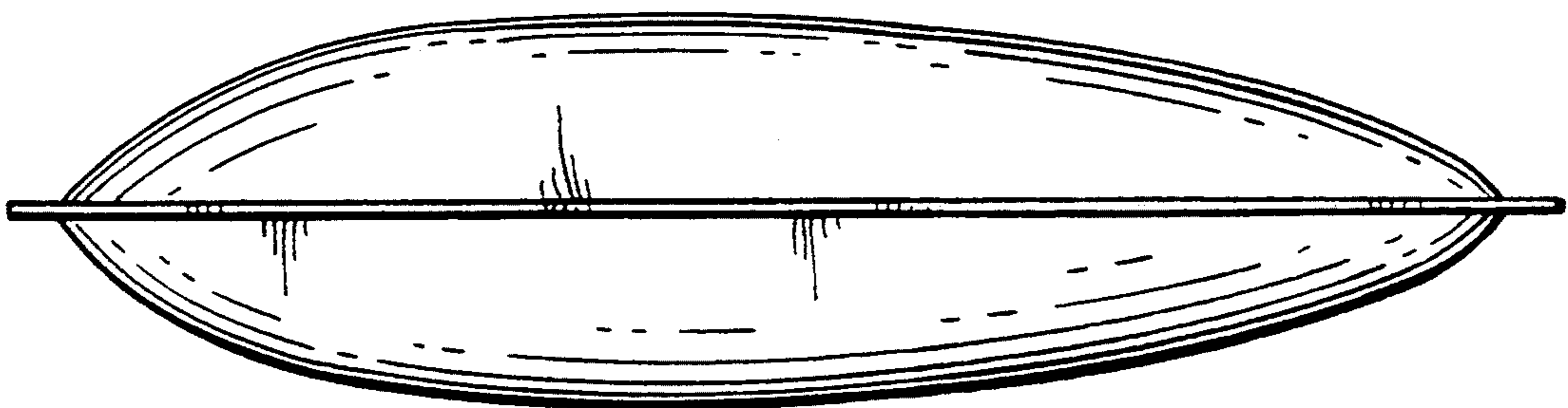


FIG. 18

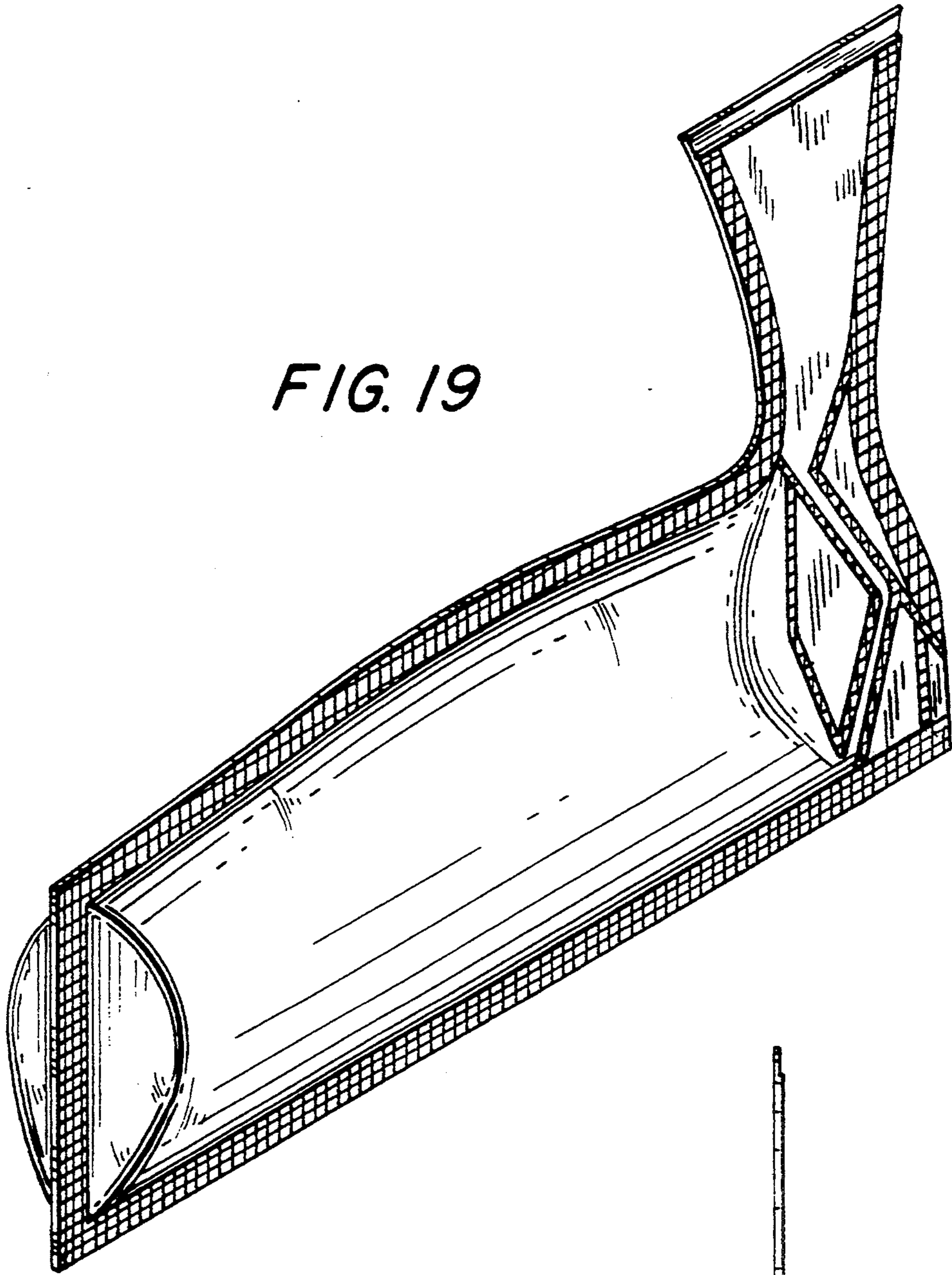


FIG. 19

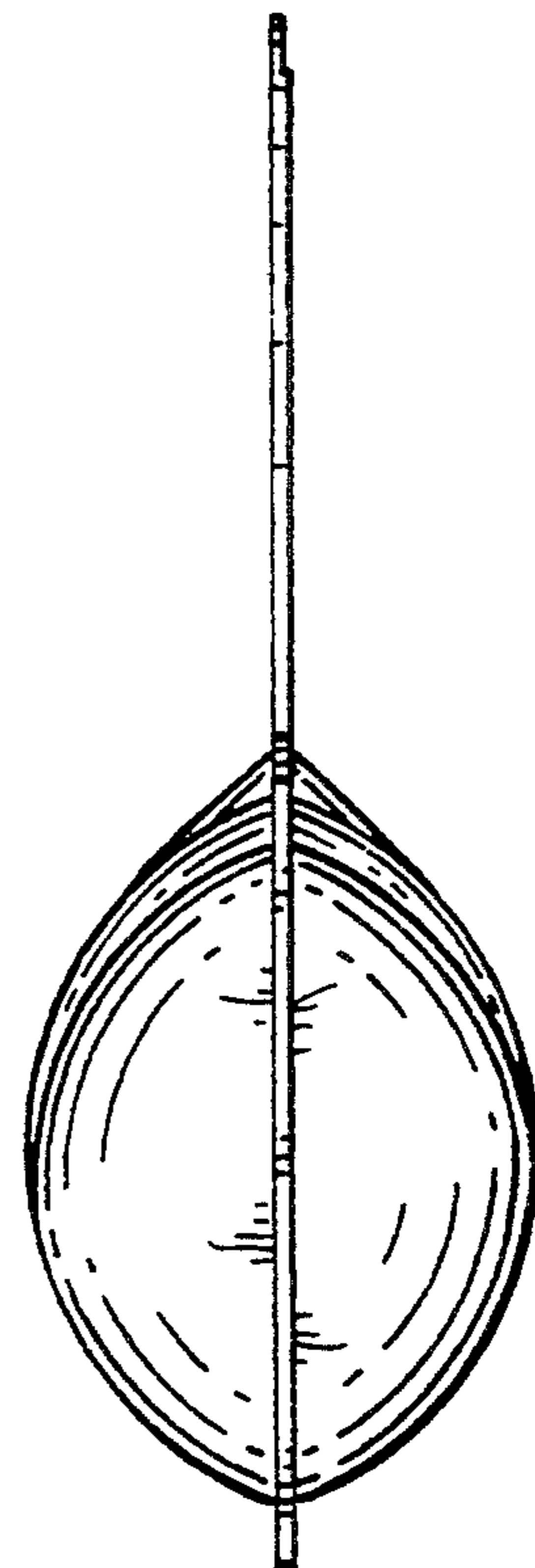


FIG. 20

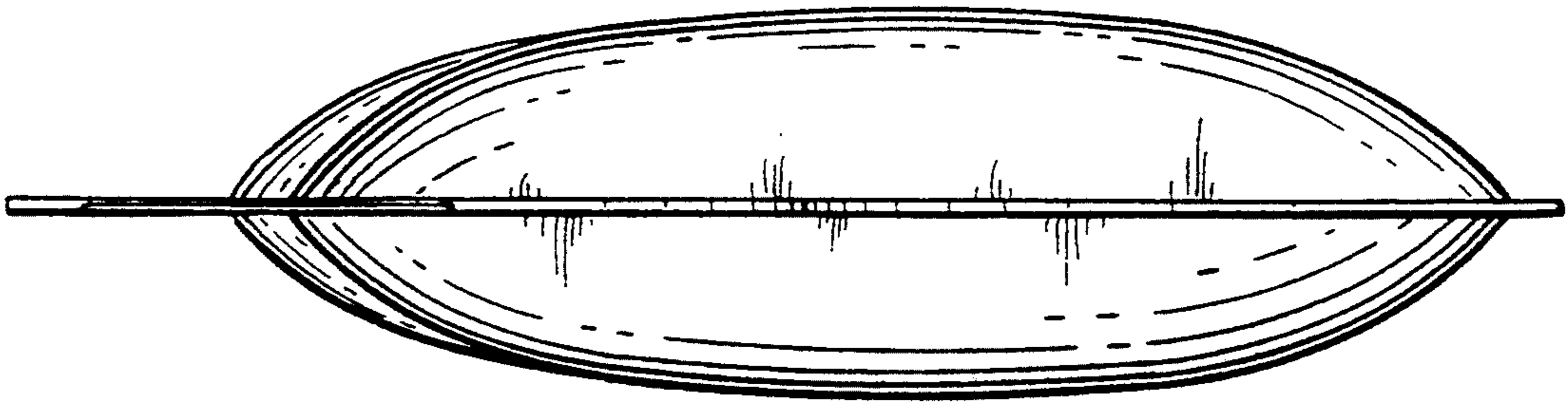


FIG. 21

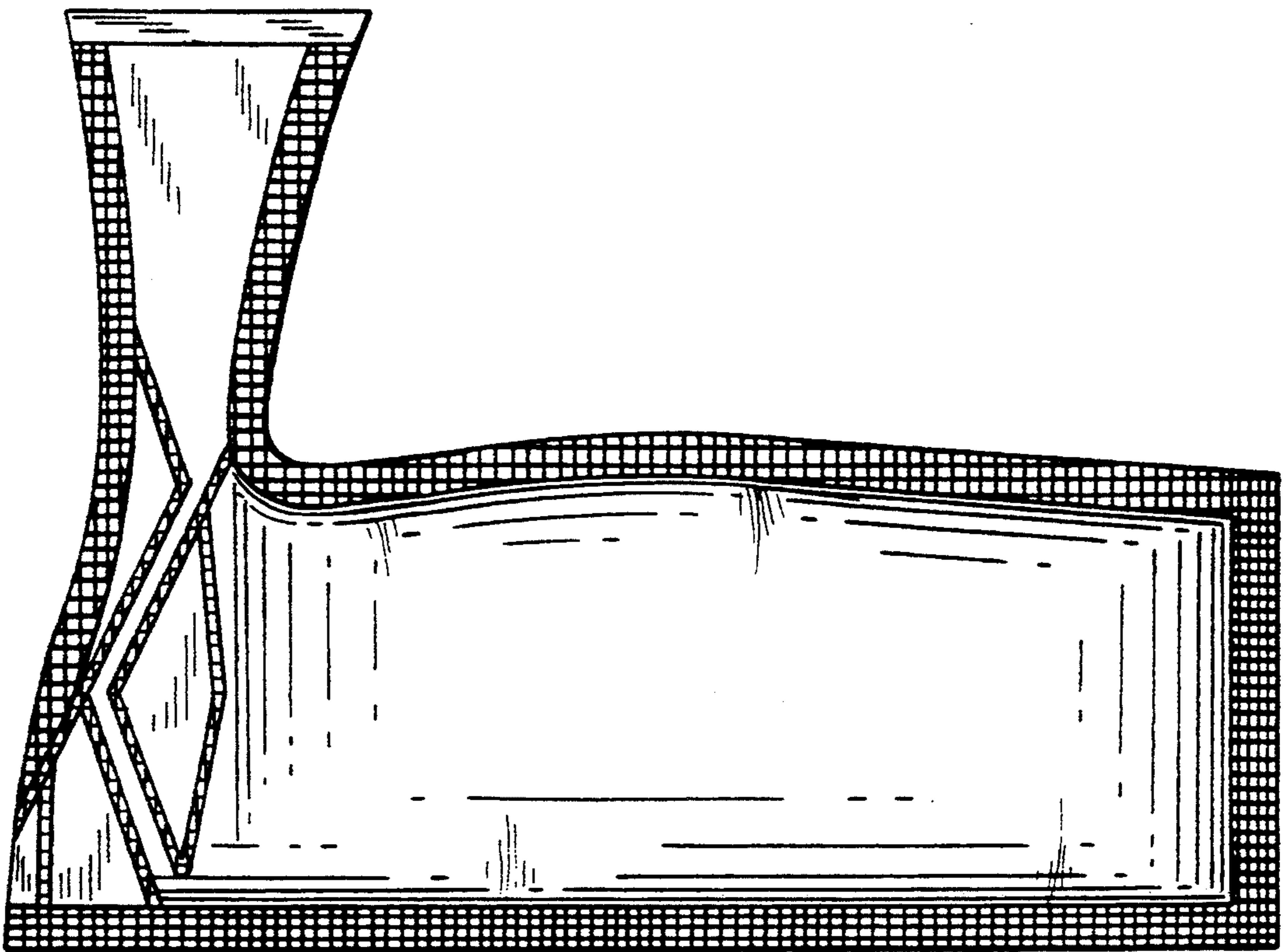


FIG. 22

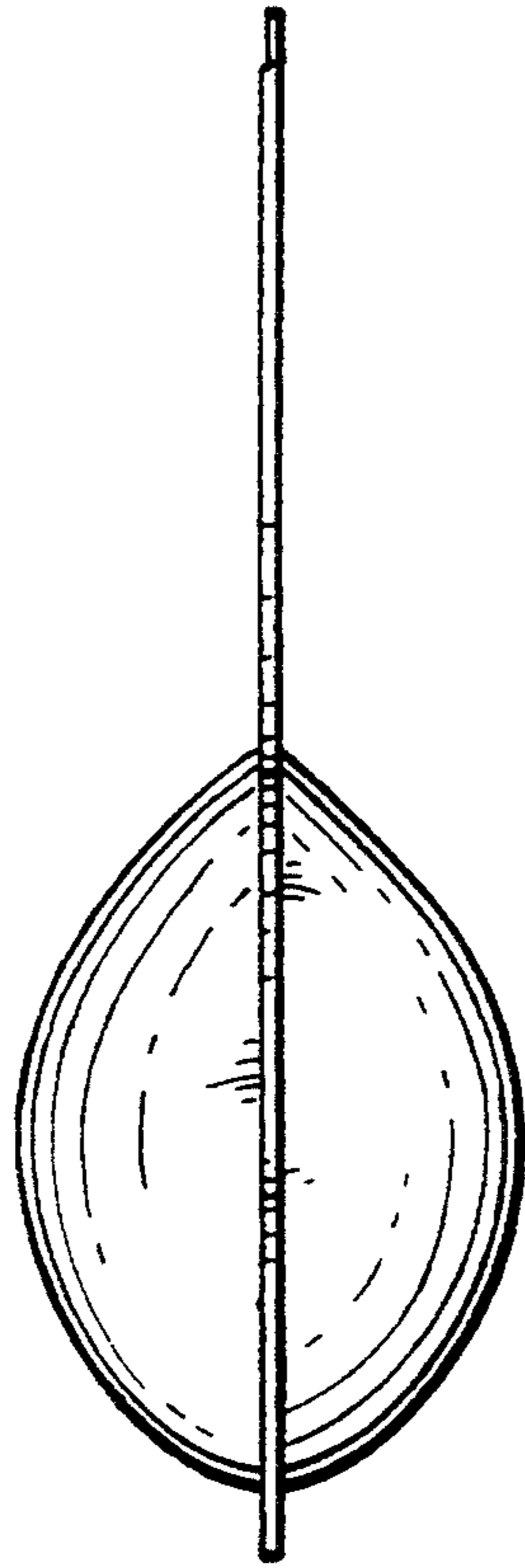


FIG. 23

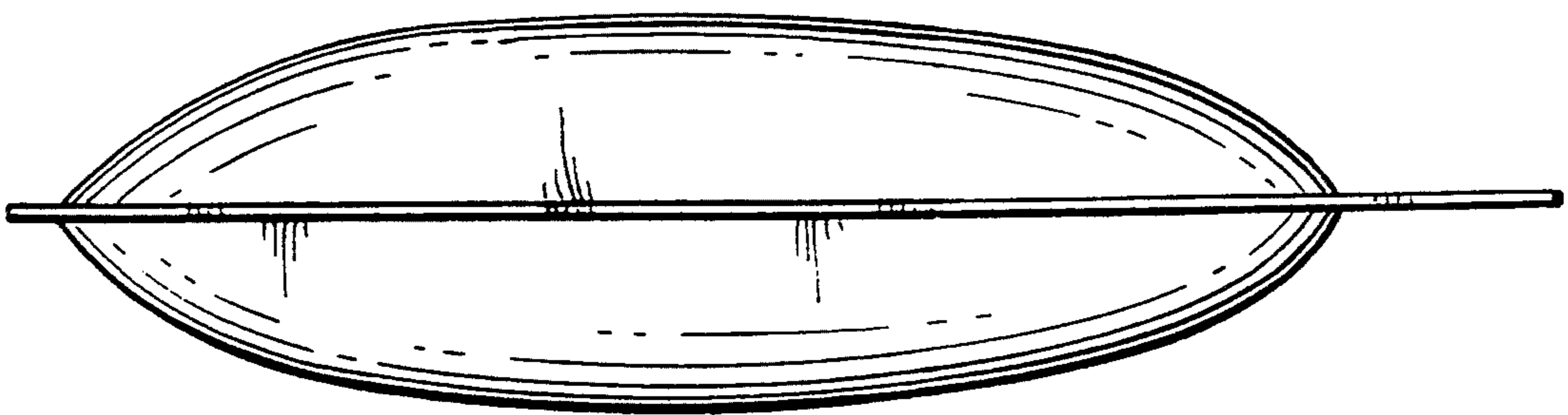


FIG. 24