



US00D362100S

United States Patent [19]

[11] Patent Number: **Des. 362,100**

McMurdo

[45] Date of Patent: **** Sep. 5, 1995**

[54] **ADD-ON WHEELBARROW HANDLE**

4,723,800	2/1988	Sanders	294/16
4,794,667	1/1989	Nelson	294/58
4,838,465	6/1989	Metzger	294/16
5,273,331	12/1993	Burnham	294/57

[76] Inventor: **Ian R. W. McMurdo**, 3 Fordham Court, Ballajura, WA, 6066, Australia

Primary Examiner—Kay H. Chin
Attorney, Agent, or Firm—H. Jay Spiegel

[**] Term: **14 Years**

[21] Appl. No.: **28,806**

[57] **CLAIM**

[22] Filed: **Sep. 22, 1994**

The ornamental design for an add-on wheelbarrow handle, as shown and described.

[52] U.S. Cl. **D34/27; D8/396; D8/303; D12/179**

DESCRIPTION

[58] **Field of Search** **D34/27, 16; D8/396, D8/303; D12/179, 223; 294/57, 58, 16, 15**

FIG. 1 shows a perspective view of my claimed design; FIG. 2 shows a side view of my claimed design of which the view from the other side is identical; FIG. 3 shows a front view of my claimed design; FIG. 4 shows a rear view of my claimed design; FIG. 5 shows a top view of my claimed design; and, FIG. 6 shows a bottom view of my claimed design.

[56] **References Cited**

U.S. PATENT DOCUMENTS

735,799	8/1903	McGrill	294/16
933,647	7/1909	Hunt	294/58

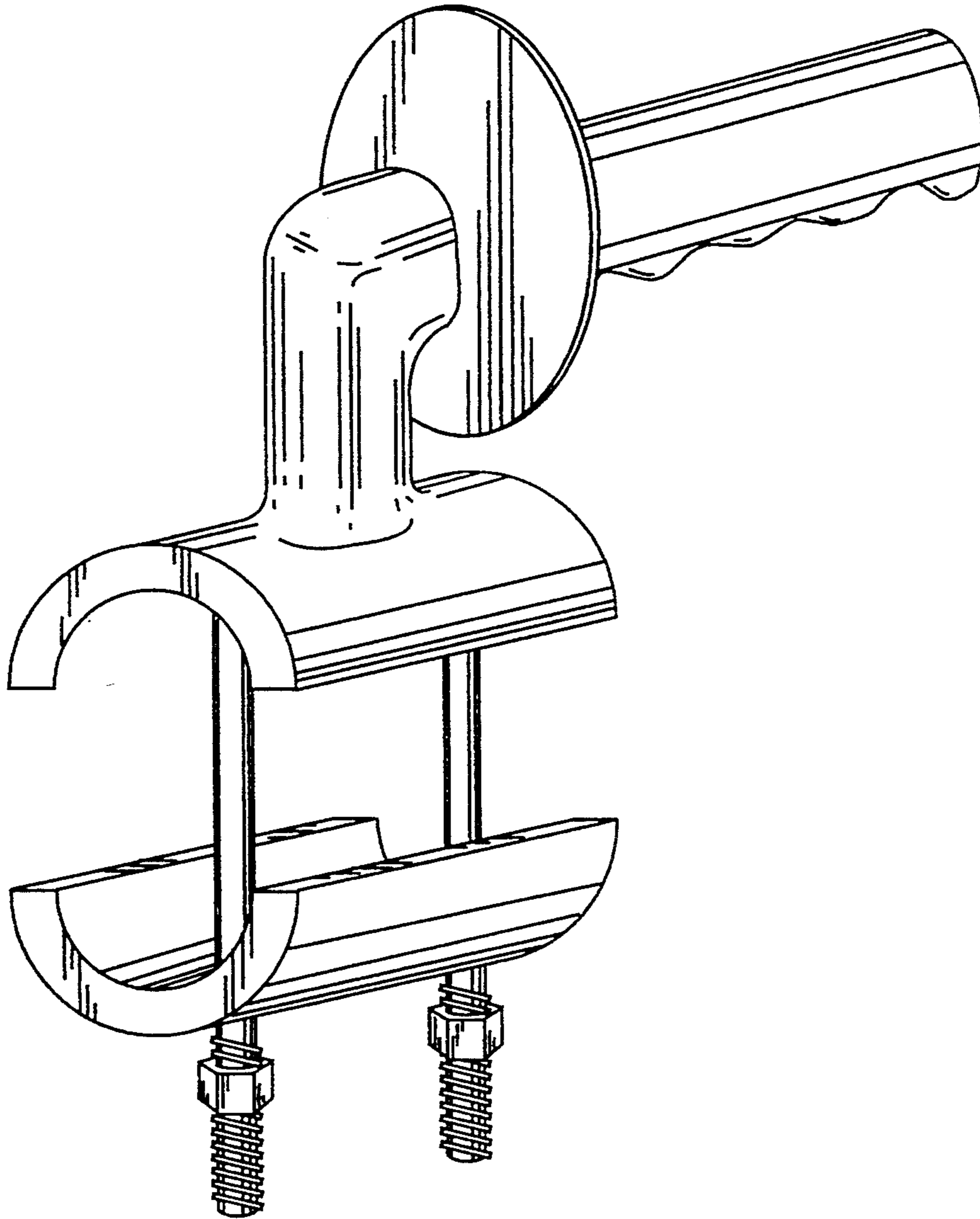
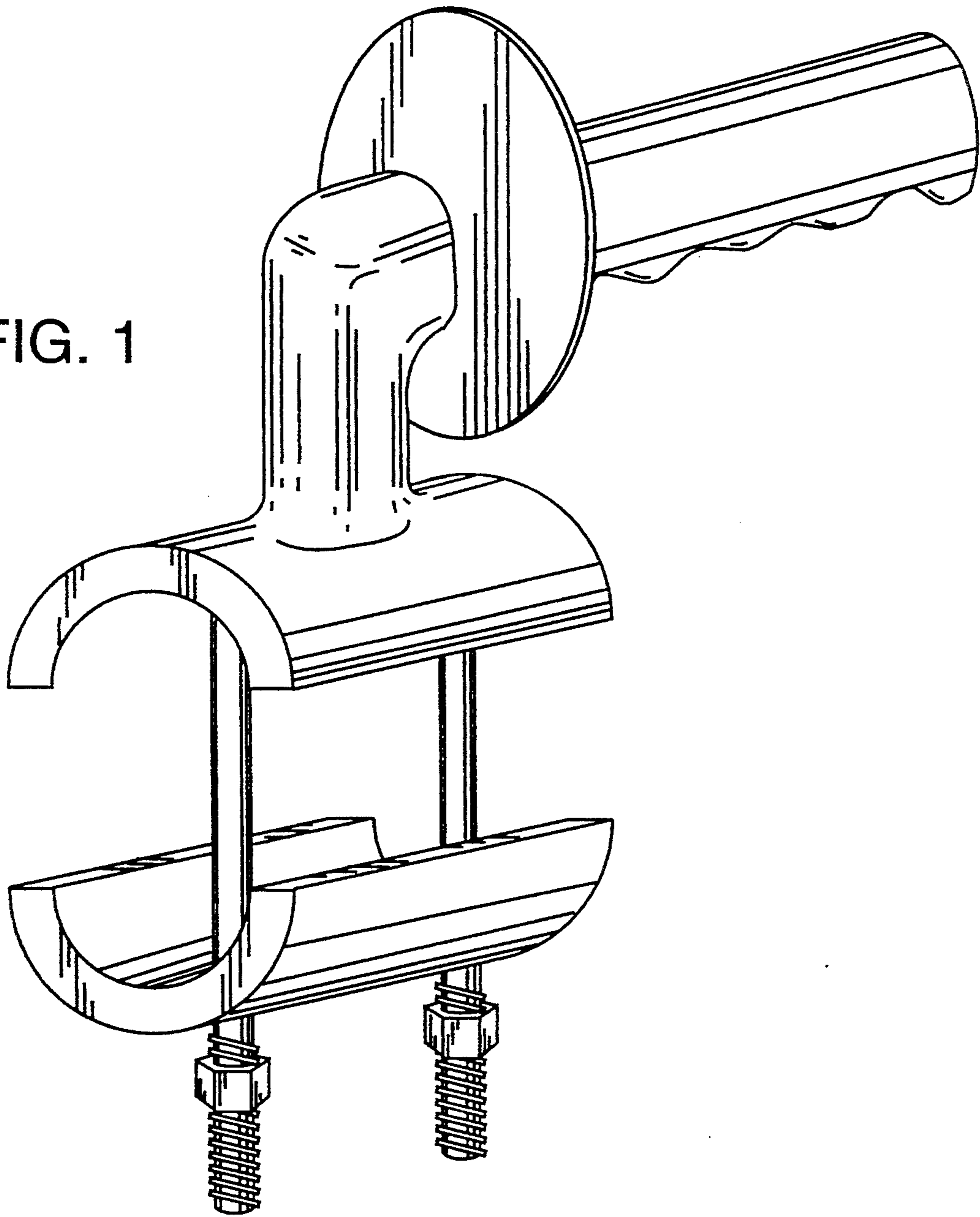


FIG. 1



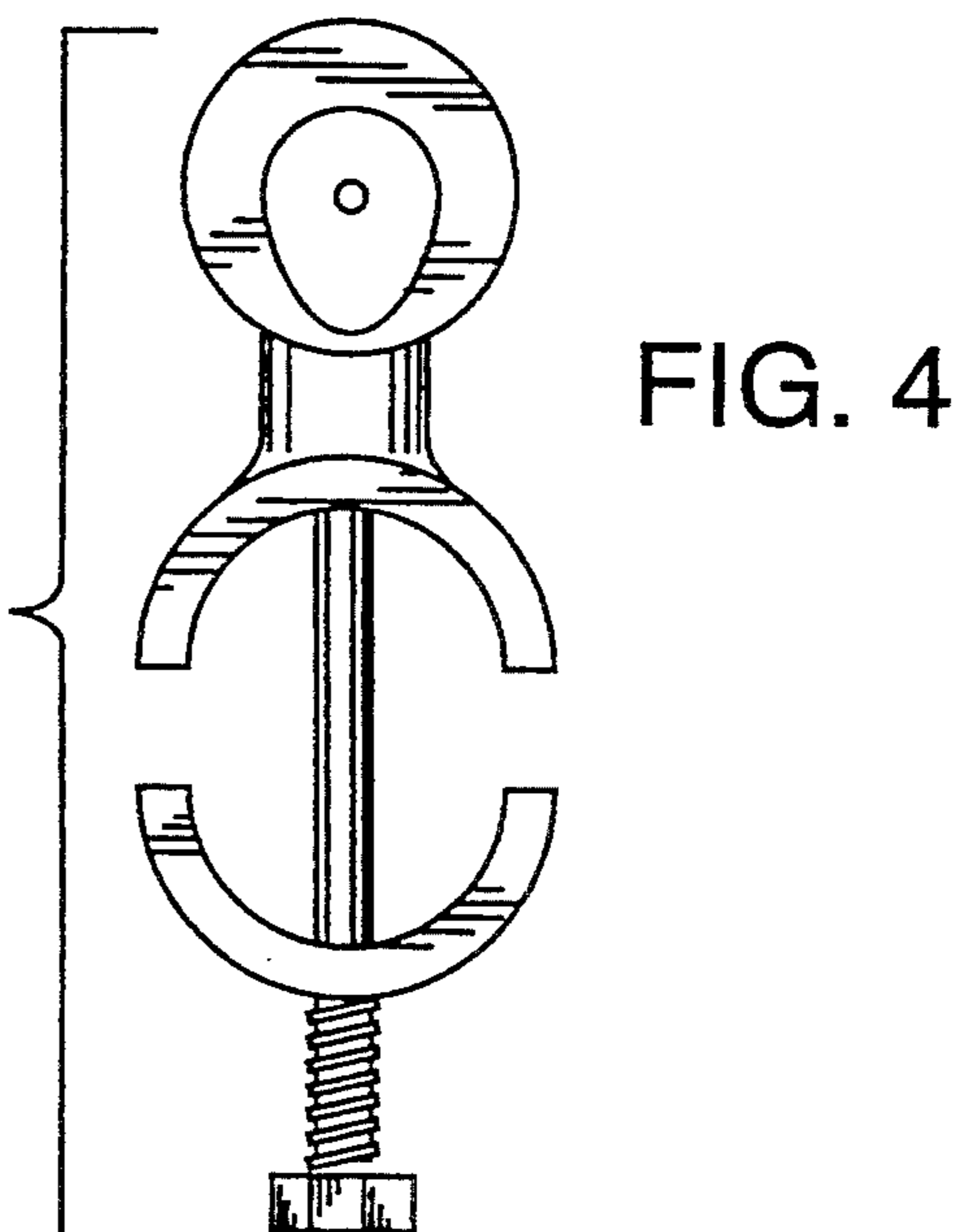
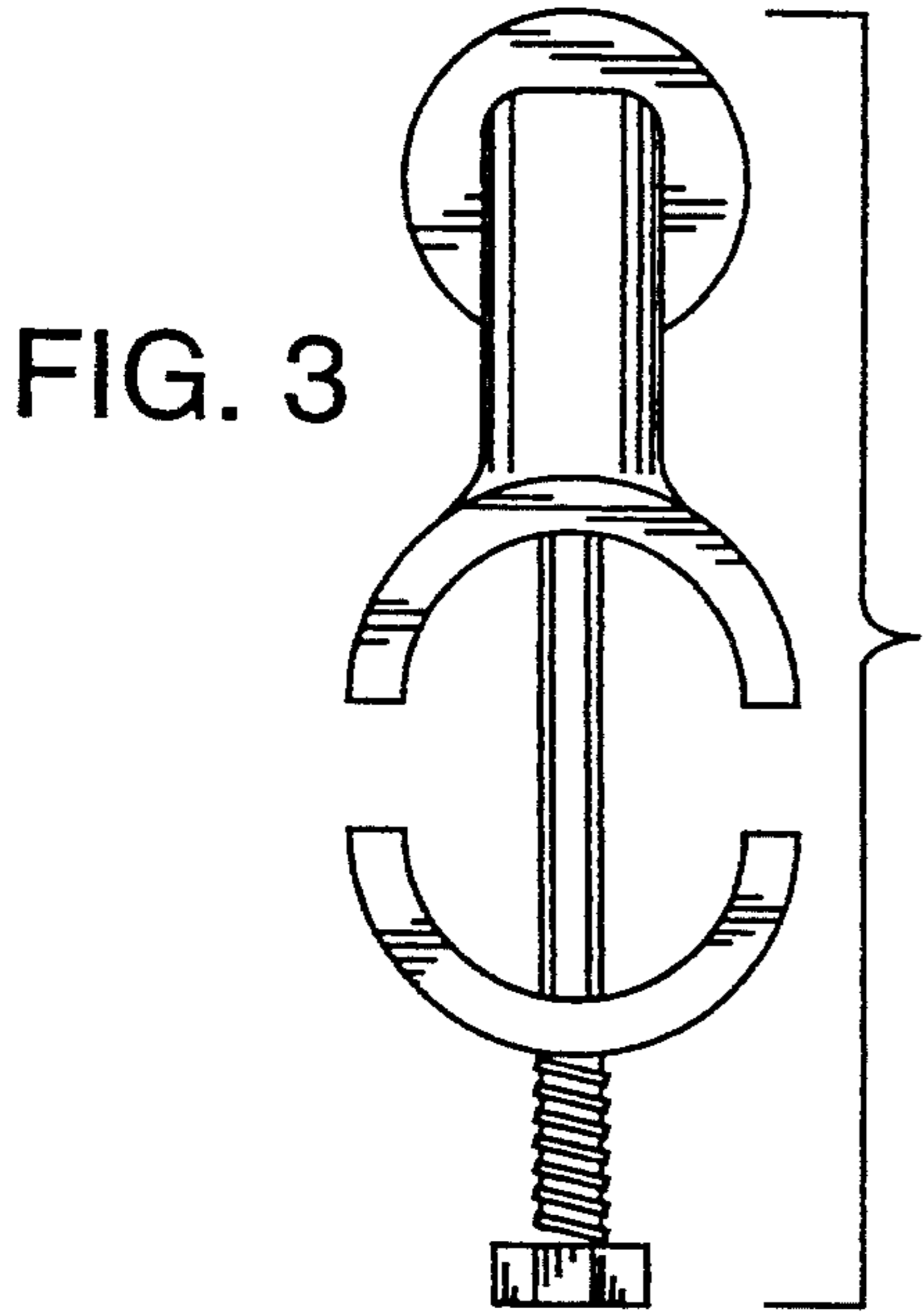
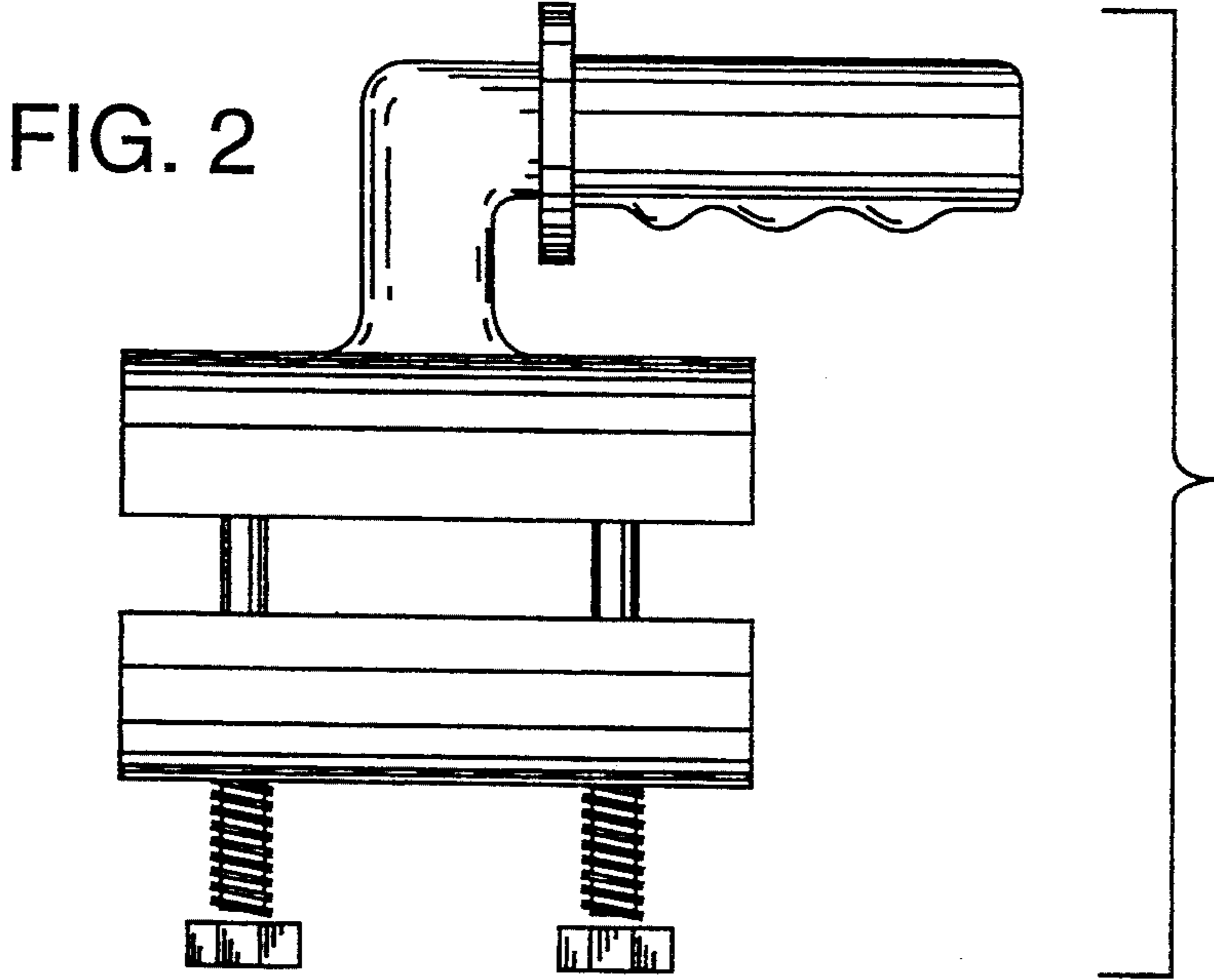


FIG. 5

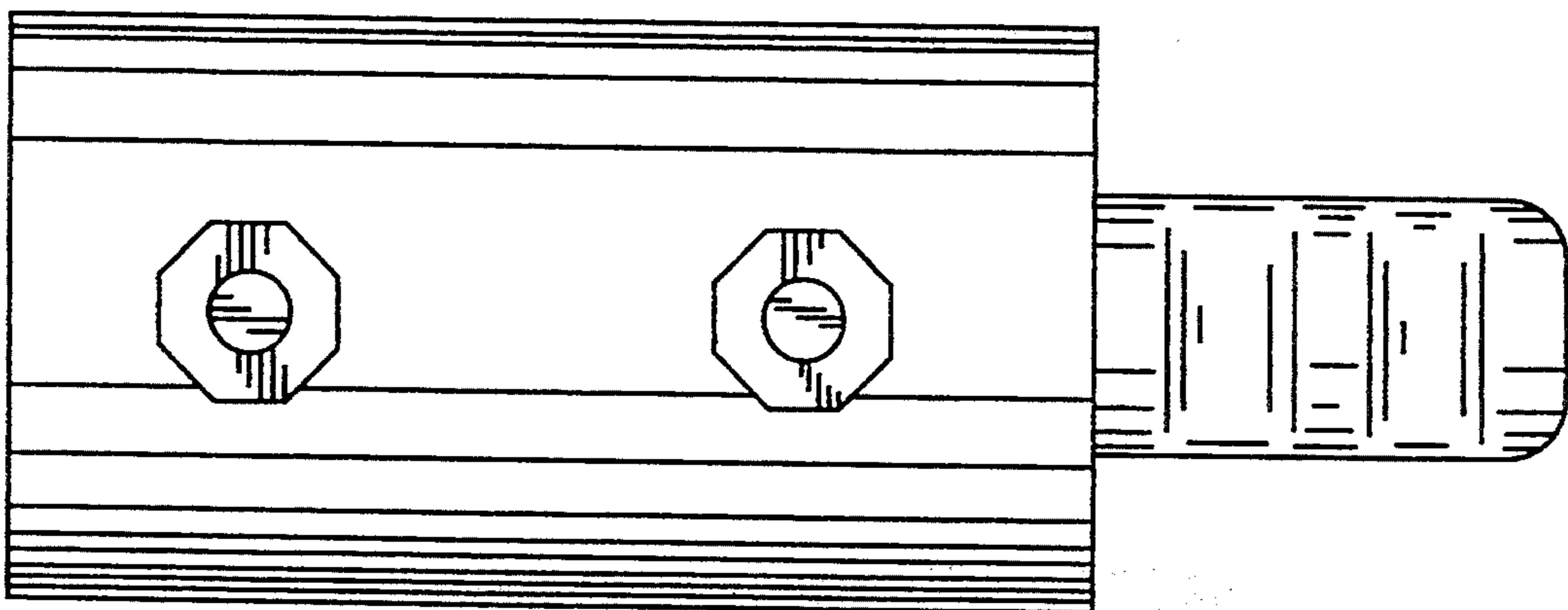
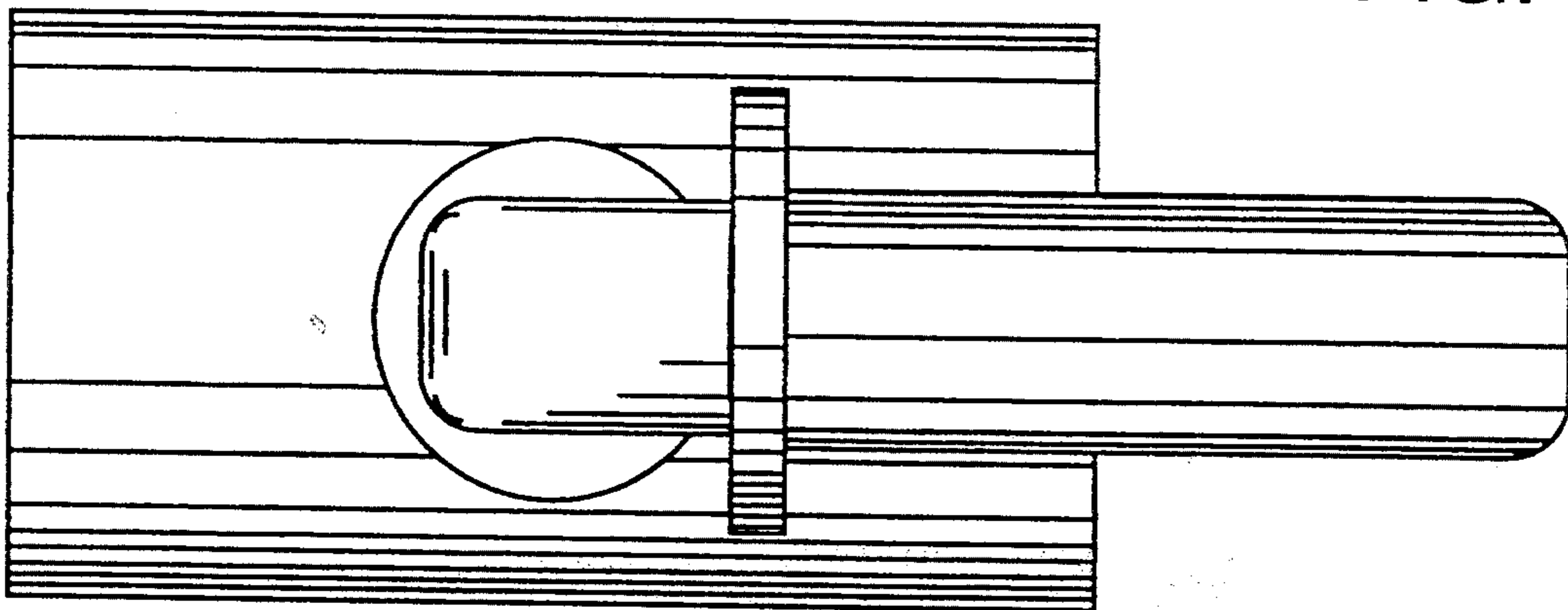


FIG. 6