



US00D362099S

United States Patent [19]

[11] Patent Number: **Des. 362,099**

Heiler

[45] Date of Patent: **** Sep. 5, 1995**

[54] **FORK LIFT TRUCK**

[75] Inventor: **Roland Heiler**, Tiefenbronn, Germany

[73] Assignee: **Dr. Ing. h.c.F. Porsche AG**, Weissach, Germany

[*] Notice: The portion of the term of this patent subsequent to May 2, 2009 has been disclaimed.

[**] Term: **14 Years**

[21] Appl. No.: **23,415**

[22] Filed: **May 24, 1994**

[30] **Foreign Application Priority Data**

Nov. 29, 1993 [DE] Germany M 93 09 271.7

[52] U.S. Cl. **D34/34; D34/37**

[58] Field of Search D34/34, 28, 37; 414/529, 785, 607, 572; 180/89.12, 89.14, 89.17

[56] **References Cited**

U.S. PATENT DOCUMENTS

D. 152,180	12/1948	Wagner	D34/34
D. 234,050	1/1975	Crawford	D34/34
D. 264,201	5/1982	Brown et al.	D34/34
D. 327,356	6/1992	Laatsch	D34/34
4,221,274	9/1980	Martin	180/89.14

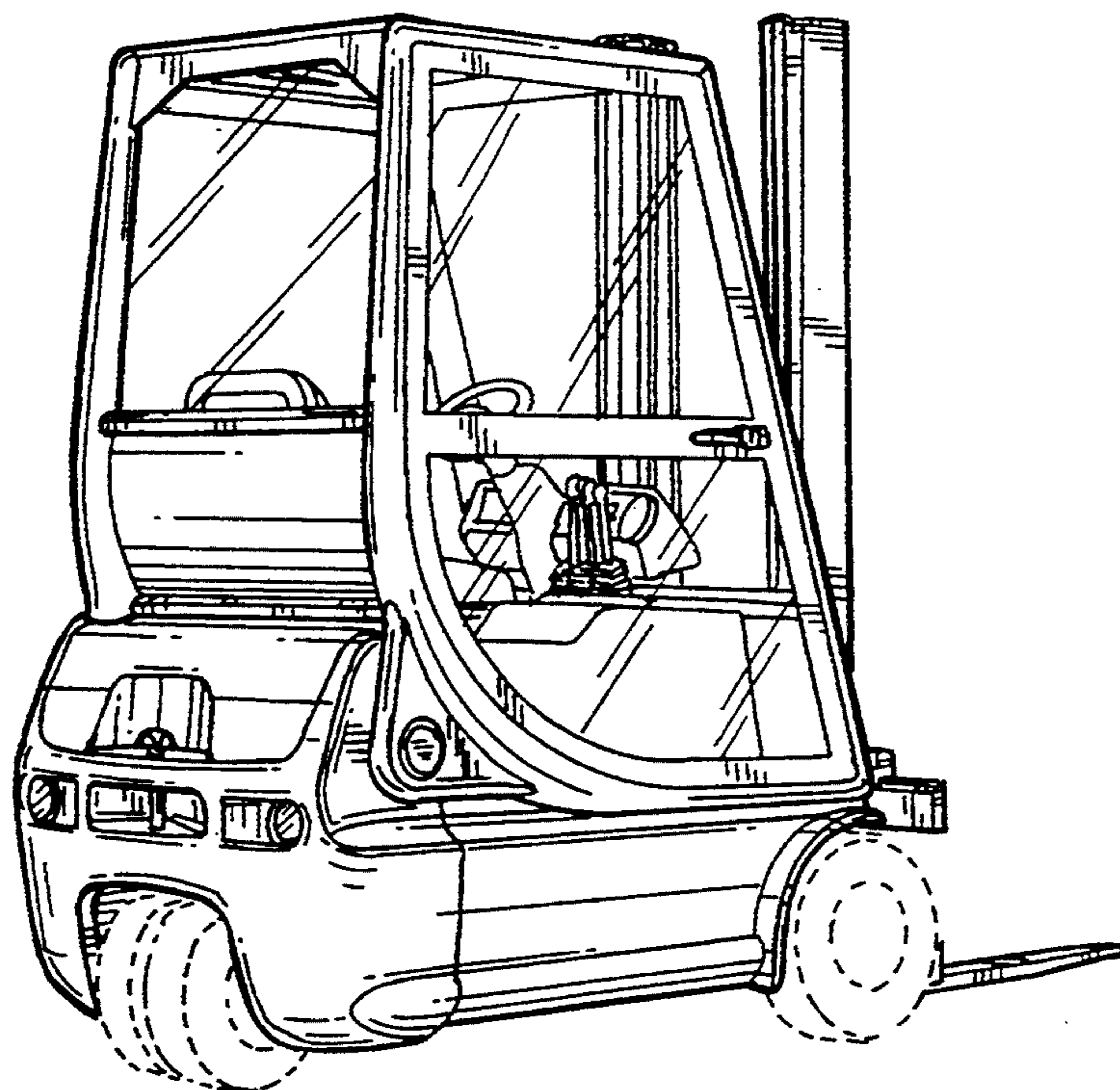
Primary Examiner—Brian N. Vinson
Assistant Examiner—Robin V. Taylor
Attorney, Agent, or Firm—Evenson, McKeown, Edwards & Lenahan

[57] **CLAIM**

The ornamental design for a fork lift truck, as shown and described.

DESCRIPTION

FIG. 1 is a right side view of a fork lift truck according to my novel design;
FIG. 2 is a left side view of a fork lift truck according to my novel design;
FIG. 3 is a rear view of a fork lift truck according to my novel design;
FIG. 4 is a front view of a fork lift truck according to my novel design;
FIG. 5 is a left-front perspective view of a fork lift truck according to my novel design;
FIG. 6 is a right-front perspective view of a fork lift truck according to my novel design;
FIG. 7 is a right-rear perspective view of a fork lift truck according to my novel design;
FIG. 8 is a left-rear perspective view of a fork lift truck according to my novel design; and,
FIG. 9 is a top view of a fork lift truck according to my novel design.



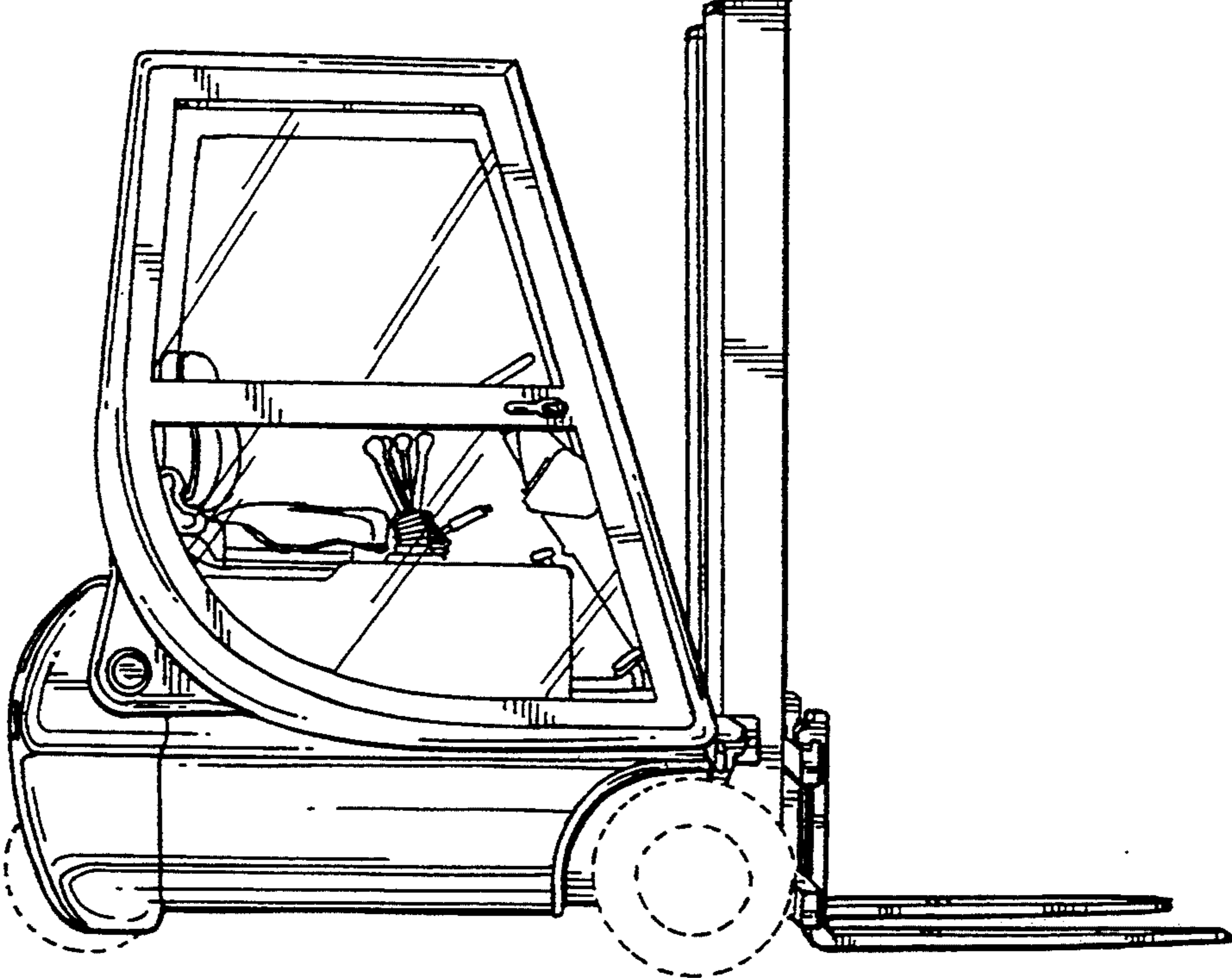


FIG. 1

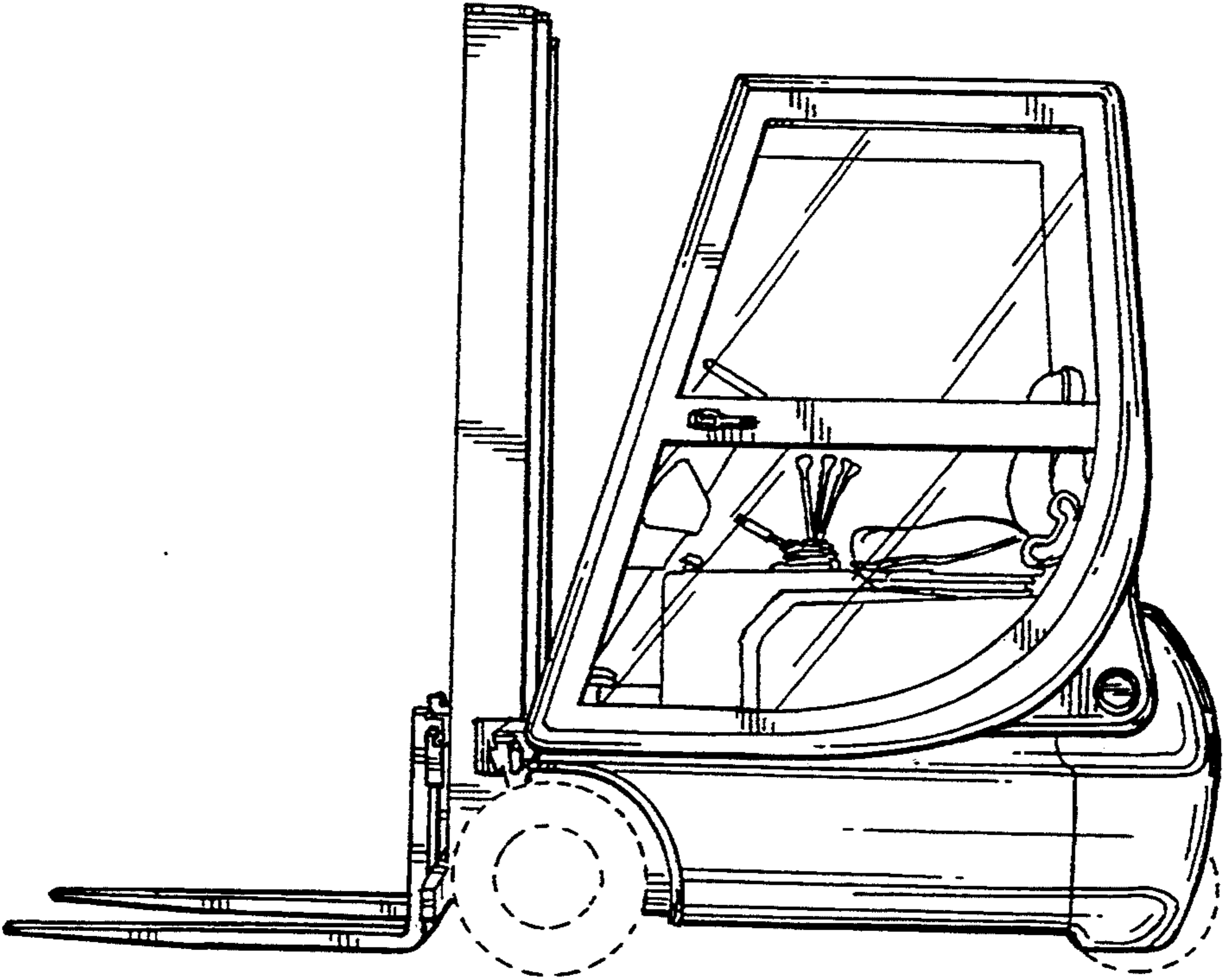


FIG. 2

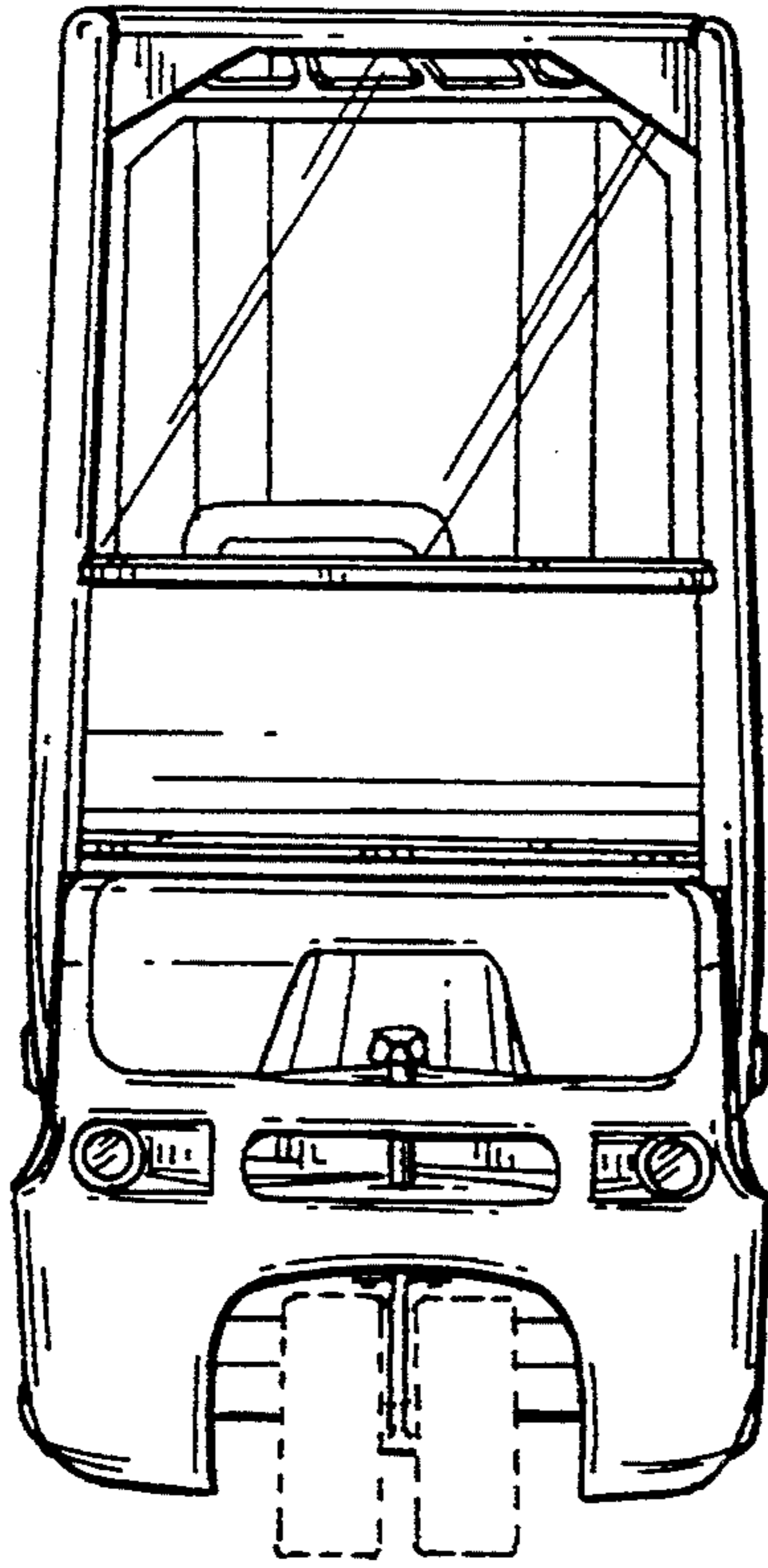


FIG. 3

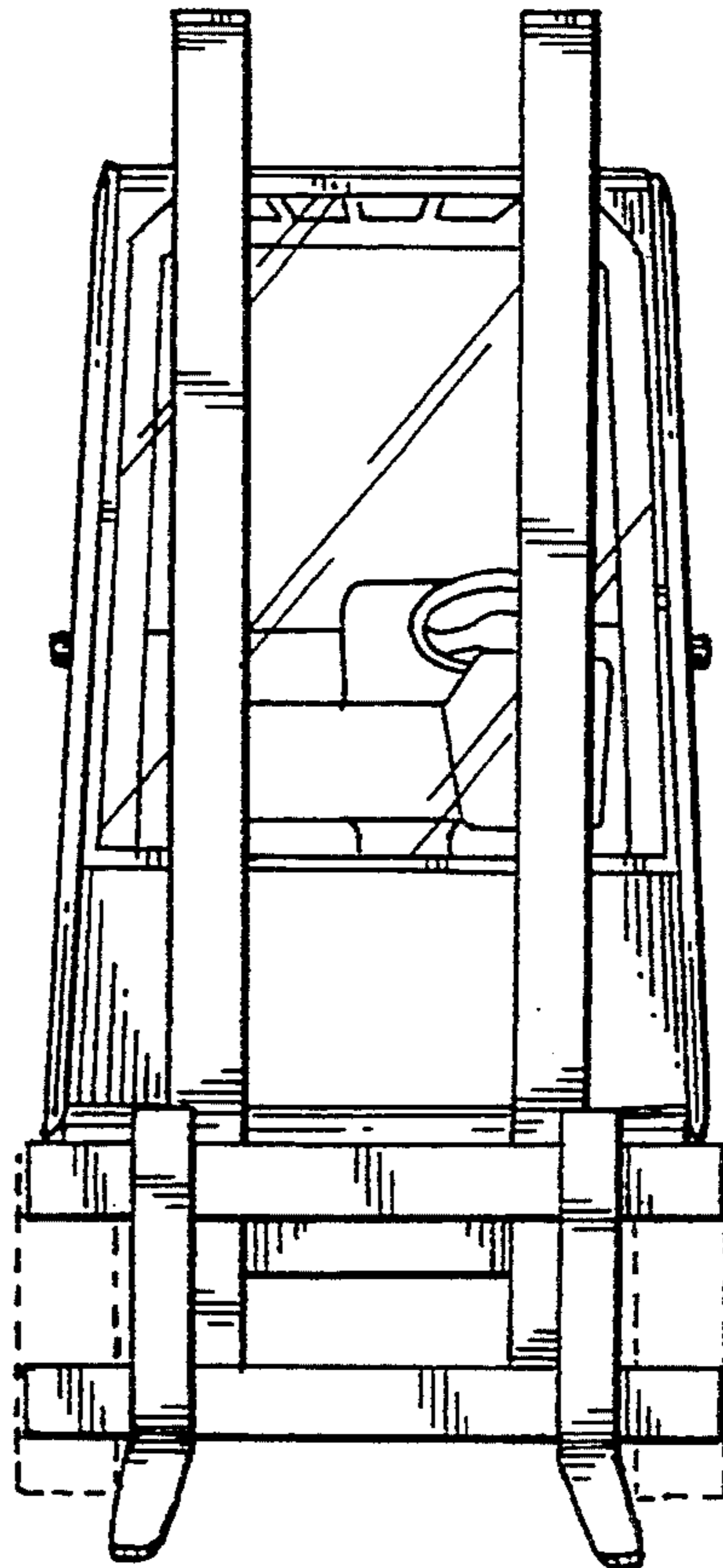


FIG. 4

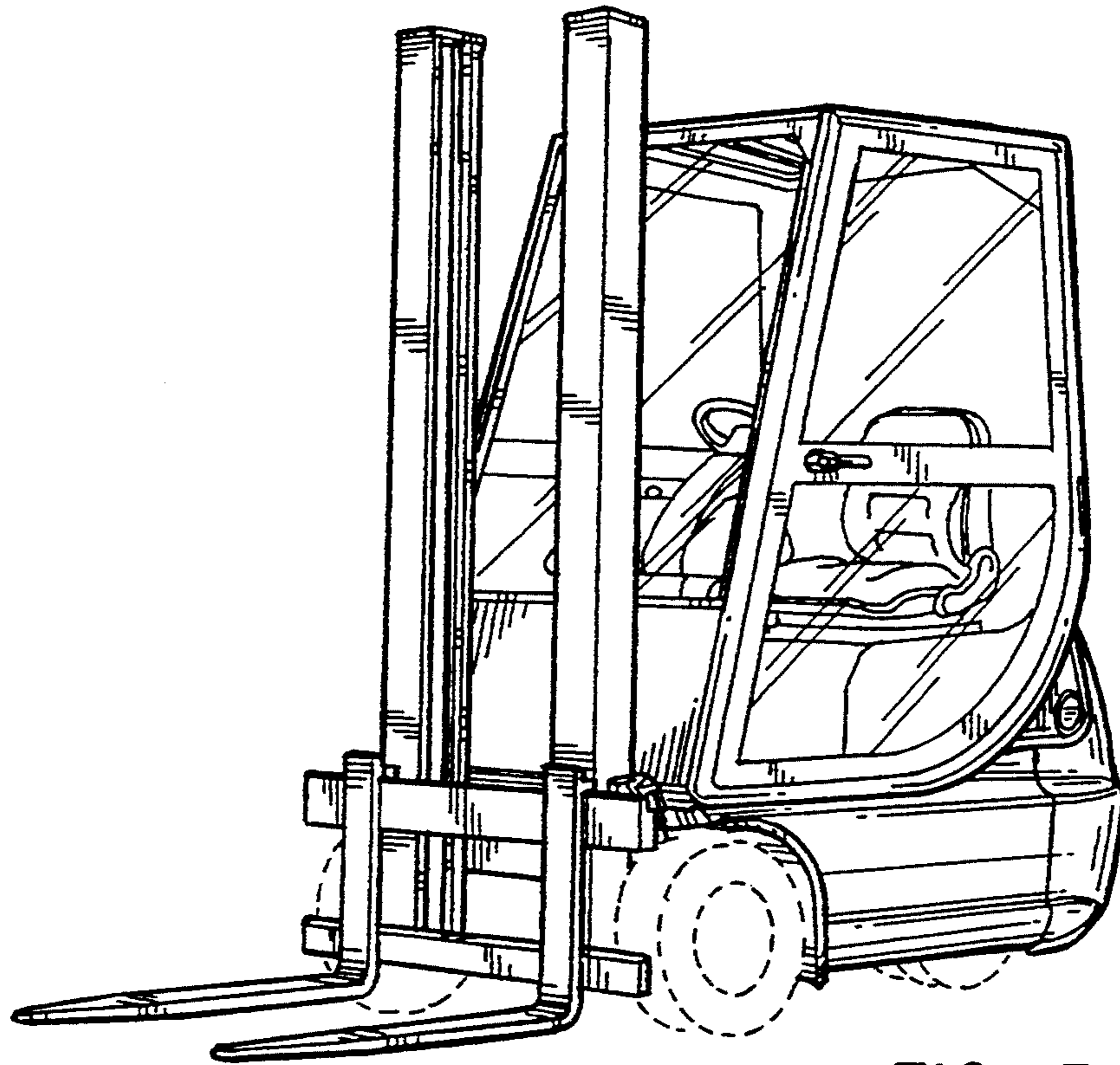


FIG. 5

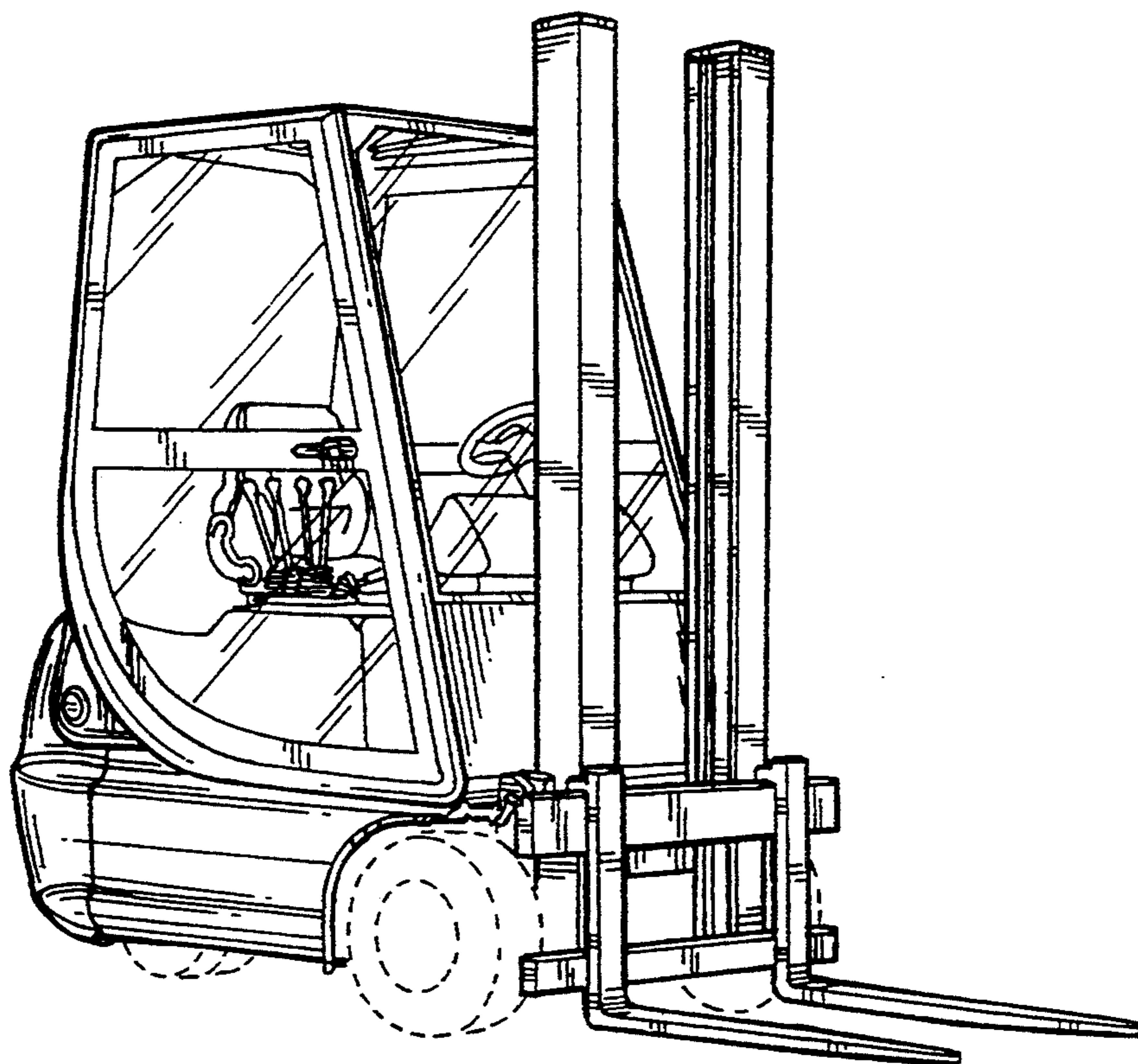


FIG. 6

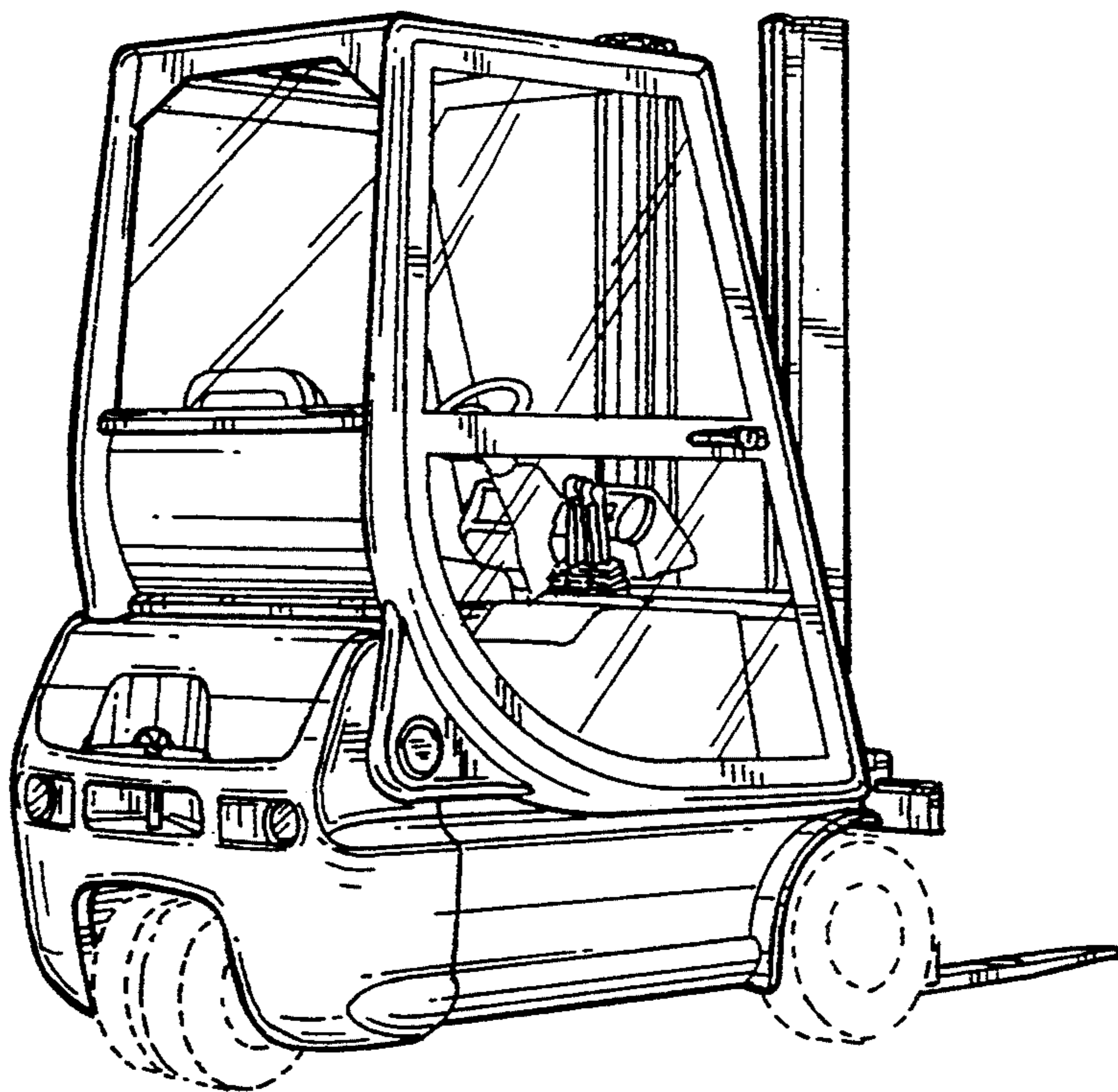


FIG. 7

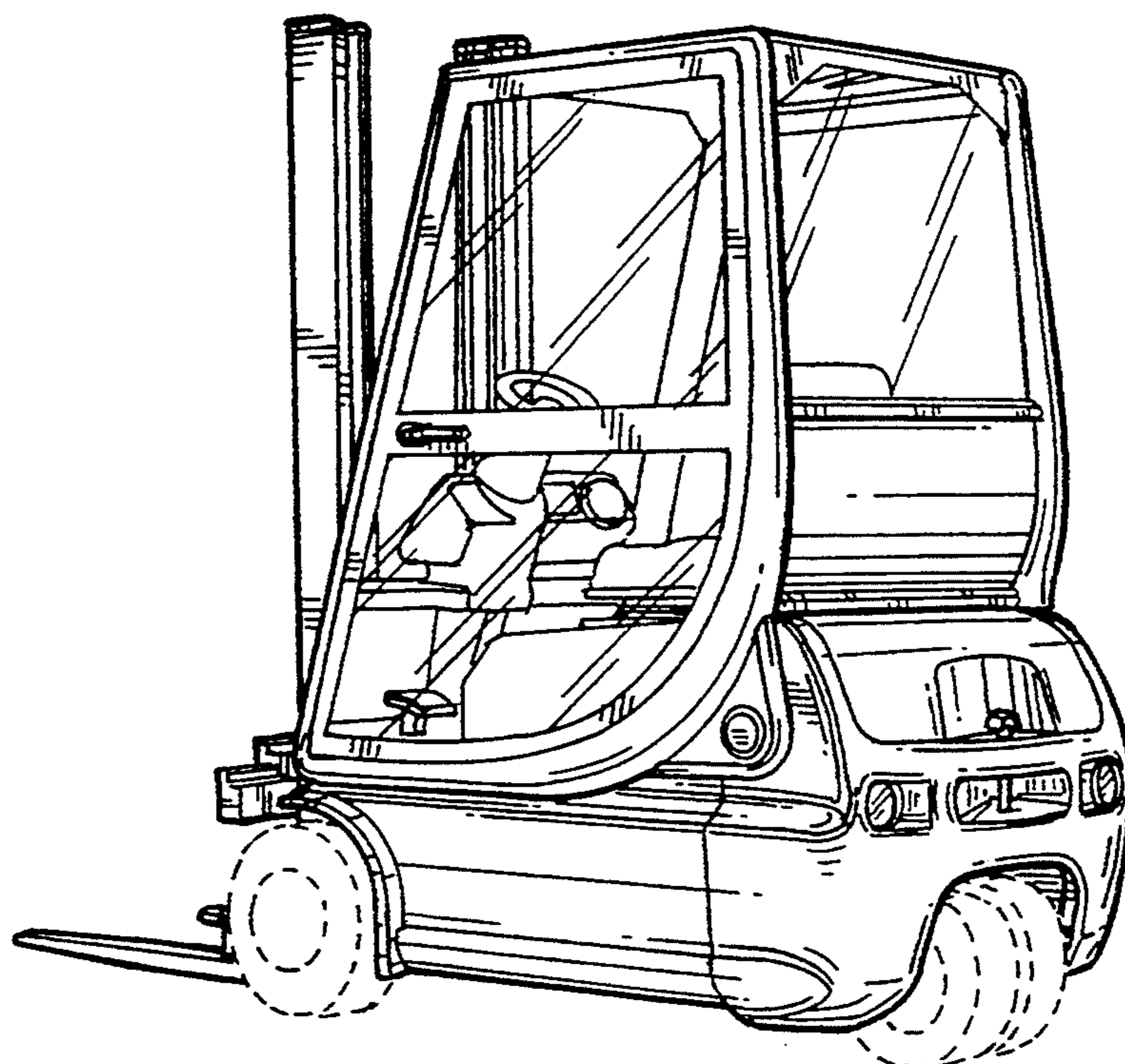


FIG. 8

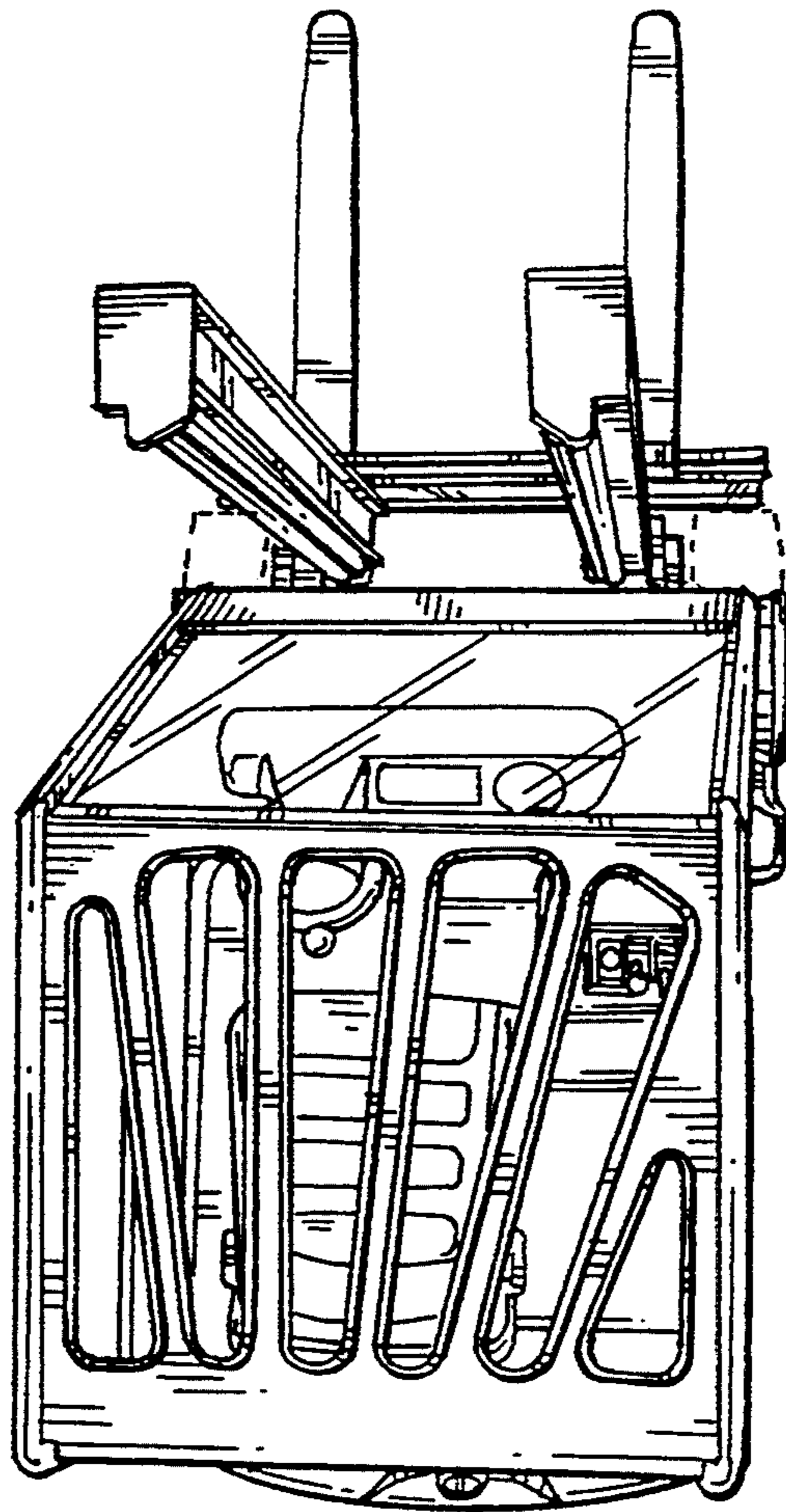


FIG. 9