



US00D362095S

United States Patent [19]

[11] Patent Number: **Des. 362,095**

Wai

[45] Date of Patent: **** Sep. 5, 1995**

[54] IRON

[76] Inventor: **Choi L. Wai**, Block B, 6/F, Jumbo Court, 45 Broadcast Drive, Kowloon Tong, Kowloon, Hong Kong

[**] Term: **14 Years**

[21] Appl. No.: **13,991**

[22] Filed: **Oct. 7, 1993**

[30] Foreign Application Priority Data

Apr. 7, 1993 [GB]	United Kingdom	2030309
[52] U.S. Cl.	D32/70	
[58] Field of Search	D32/68, 70, 71, 72;	
		38/69, 77.1, 77.5, 74, 77.7, 77.8, 77.9, 79, 88,	
		77.2	

[56] References Cited

U.S. PATENT DOCUMENTS

D. 314,459	2/1991	Littmann	D32/70
D. 316,467	4/1991	Choi	D32/70
4,939,856	7/1990	Czerner	38/77.7

FOREIGN PATENT DOCUMENTS

0171093	9/1985	Japan	38/77.1
---------	--------	-------	-------	---------

OTHER PUBLICATIONS

United Kingdom design application/registration No. 1040790, filing/registration date Mar. 17, 1987, publication/grant date Sep. 7, 1987, novelty statement and 5 sheets of drawings.

United Kingdom design application/registration No. 1057762, filing/registration date Mar. 10, 1989, publica-

tion/grant date Dec. 4, 1989, novelty statement and 2 sheets of drawings.

United Kingdom design application/registration No. 2014222, filing/registration date Apr. 17, 1991, publication/grant date Mar. 10, 1992, novelty statement and 2 sheets of drawings.

United Kingdom design application/registration No. 2015874, filing/registration date Jul. 9, 1991, publication/grant date Mar. 19, 1992, novelty statement and 2 sheets of drawings.

United Kingdom design application/registration No. 2016112, filing/registration date Jul. 19, 1991, publication/grant date Sep. 13, 1991, novelty statement and 3 sheets of drawings.

United Kingdom design application/registration No. 2019383, filing/registration date Dec. 5, 1991, publication/grant date May 19, 1992, novelty statement and 2 sheets of drawings.

United Kingdom design application/registration No. 2023828, filing/registration date Jun. 24, 1992, publication/grant date Sep. 21, 1992, novelty statement and 7 sheets of drawings.

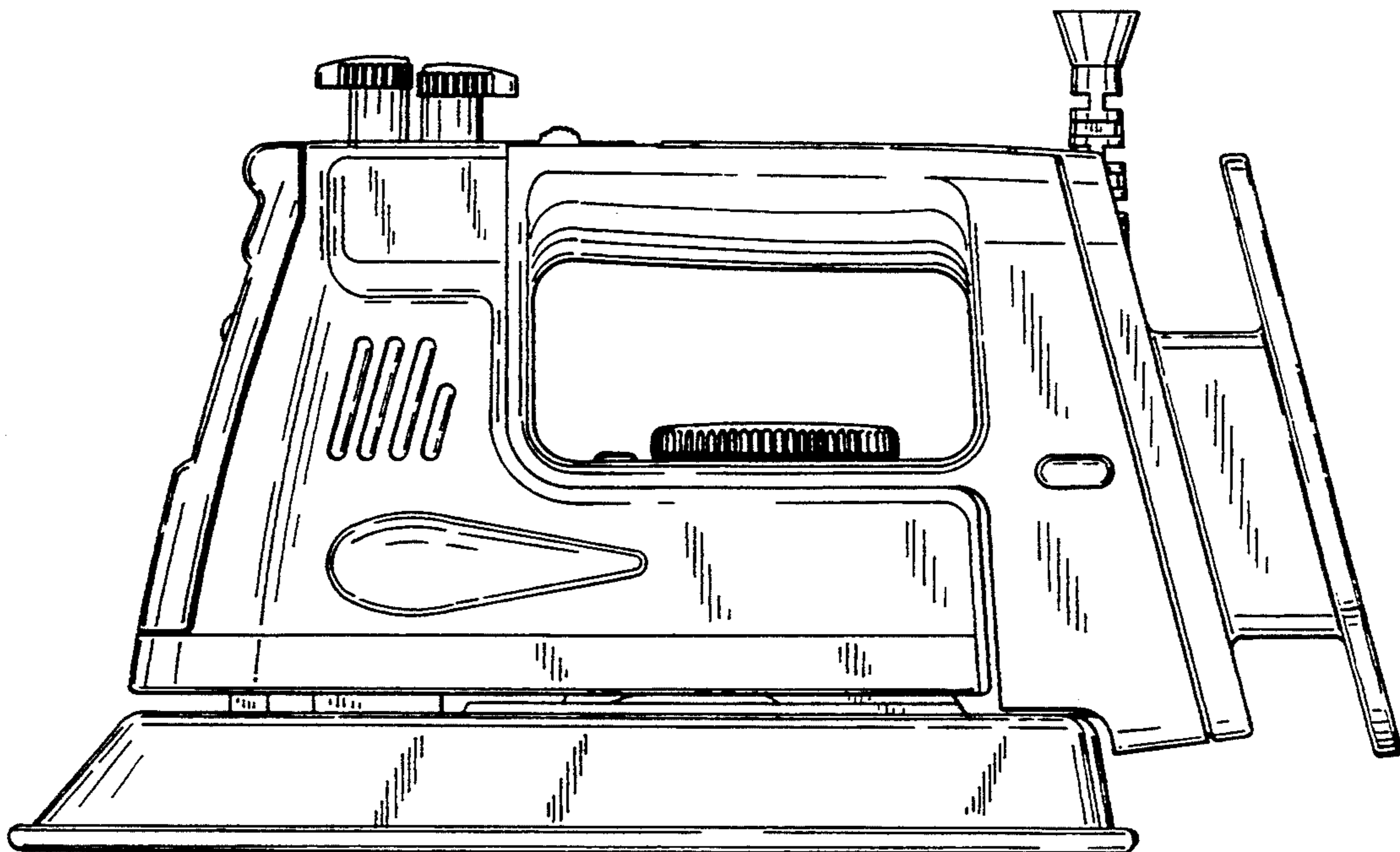
Primary Examiner—Susan J. Lucas
Assistant Examiner—Cynthia E. Ramirez
Attorney, Agent, or Firm—Klarquist, Sparkman, Campbell, Leigh & Winston

[57] CLAIM

The ornamental design for an iron, as shown.

DESCRIPTION

FIG. 1 shows a side view;
FIG. 2 shows a view from other side;
FIG. 3 shows a plan view;
FIG. 4 shows a front view;
FIG. 5 shows a rear view; and,
FIG. 6 shows an underneath plan view.



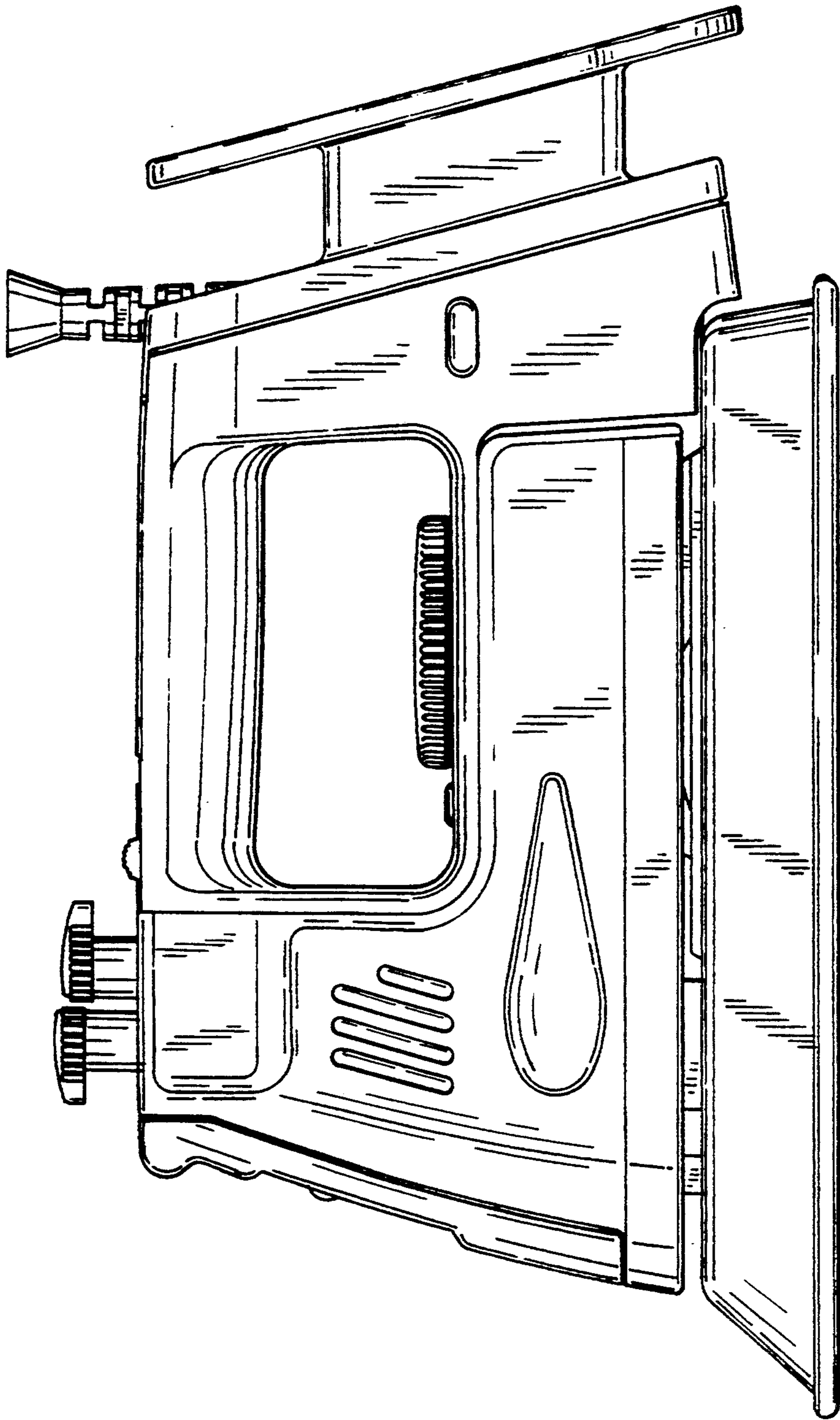


FIG 1

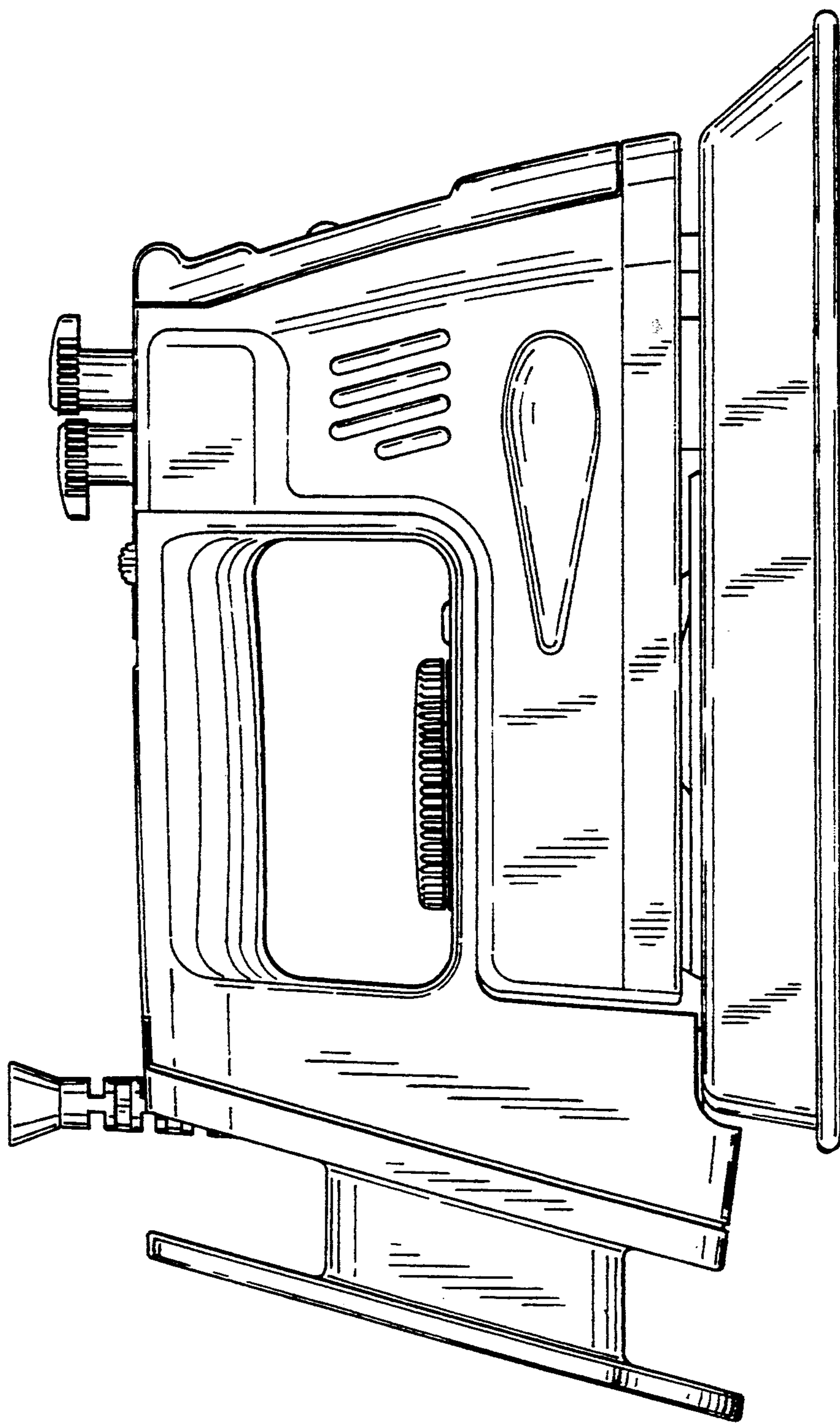


FIG 2

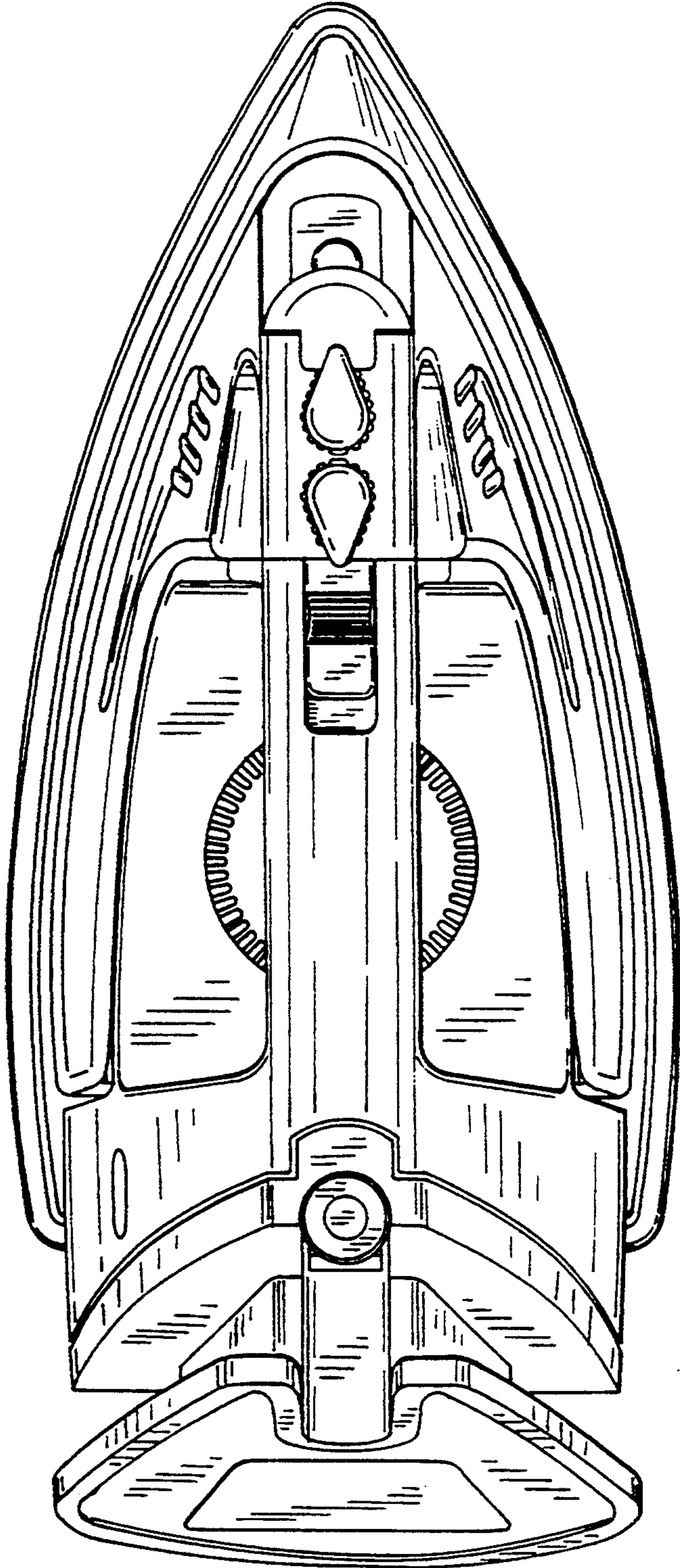


FIG 3

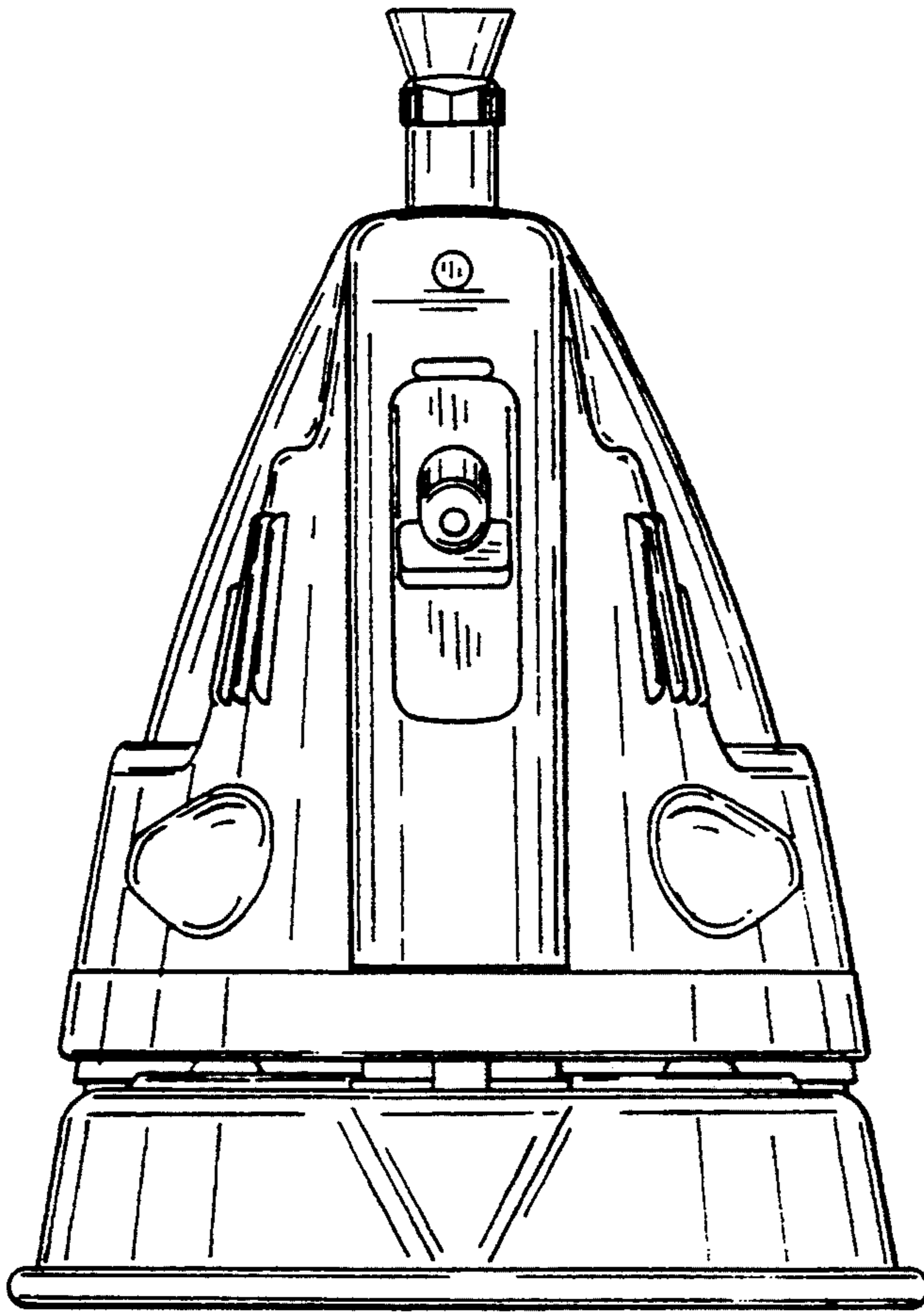


FIG 4

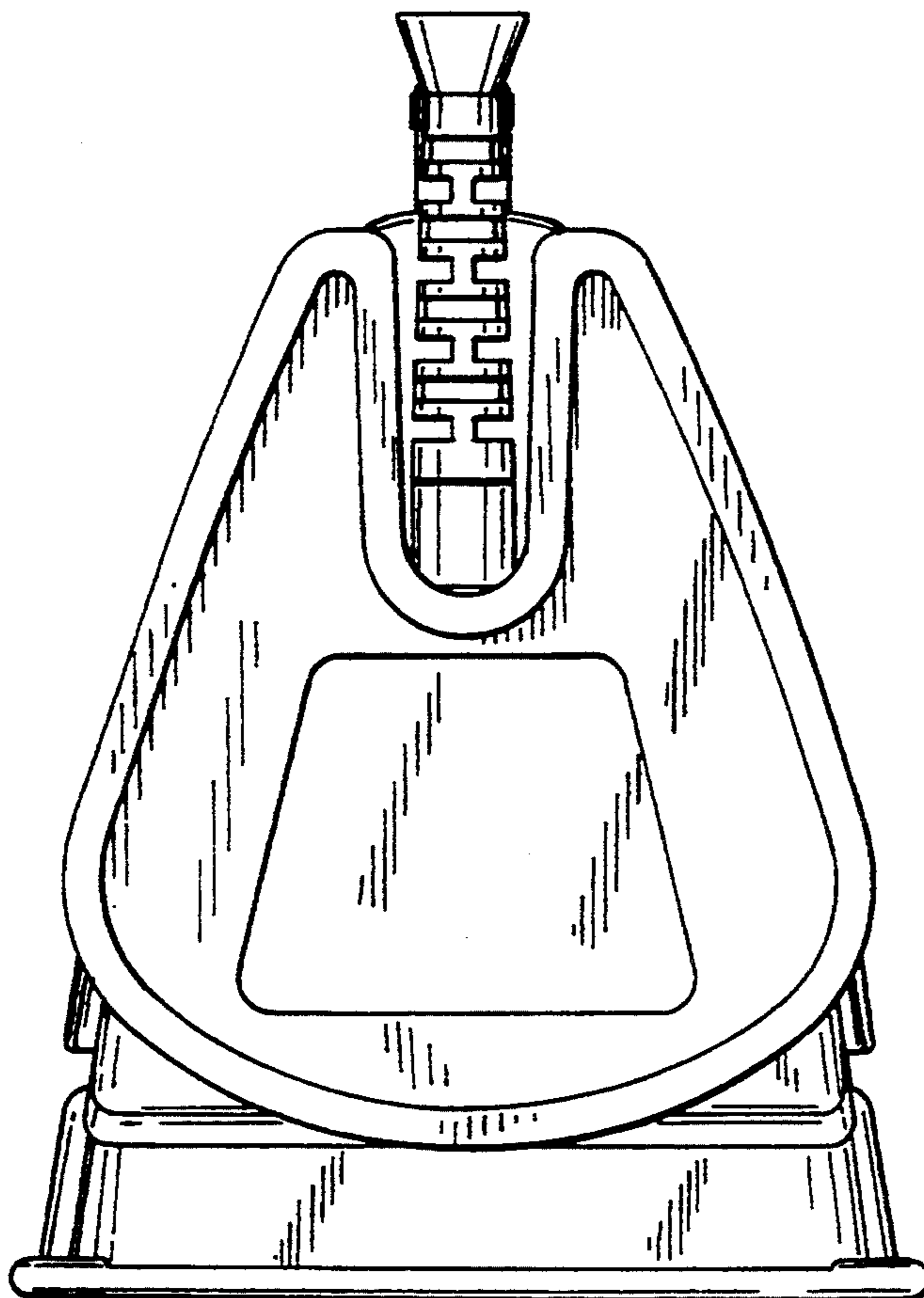


FIG 5

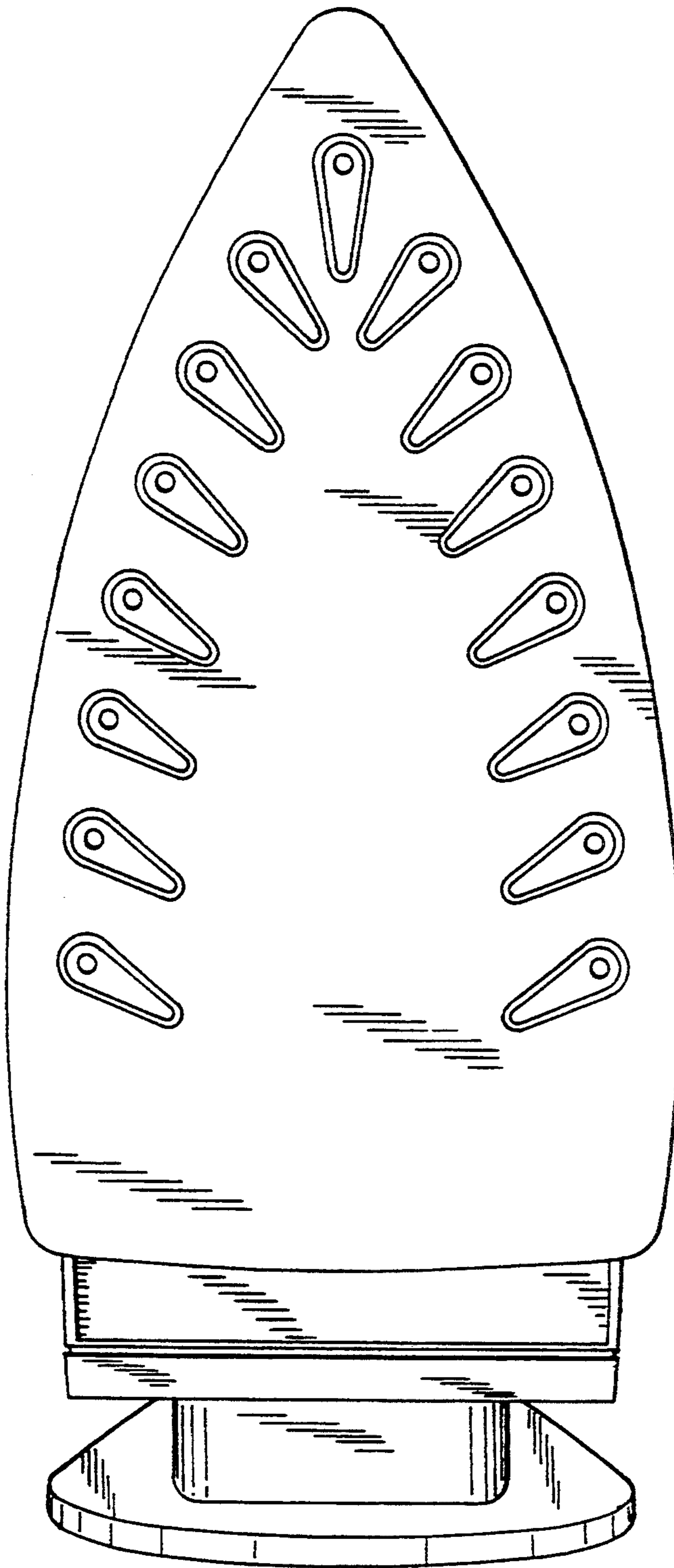


FIG 6