



US00D362092S

United States Patent [19]

Wasak

[11] Patent Number: **Des. 362,092**

[45] Date of Patent: **** Sep. 5, 1995**

[54] **CYLINDRICAL LENS CLEANER**

[76] Inventor: **Wojciech Wasak**, 313 - 131 West 4th Street, North Vancouver, British Columbia, Canada, V7M 3L8

[**] Term: **14 Years**

[21] Appl. No.: **16,707**

[22] Filed: **Dec. 23, 1993**

[52] U.S. Cl. **D32/40**

[58] Field of Search **D32/40, 45; D19/35, D19/43, 46; D24/217, 218; 401/9, 11, 126, 199; D16/102; 252/89.1; 30/169**

[56] **References Cited**

U.S. PATENT DOCUMENTS

- 1,534,827 4/1925 Aste 401/126 X
- 2,147,561 2/1939 Sherlock 30/169
- 4,976,562 12/1990 Spivey et al. 401/126 X
- 5,071,276 12/1991 Nielsen et al. 401/11 X

- 5,163,767 11/1992 Lucas 401/199 X
- 5,358,349 10/1994 Burroughs et al. 401/199 X

Primary Examiner—Freda S. Nunn
Attorney, Agent, or Firm—Norman M. Cameron

[57] **CLAIM**

The ornamental design for the cylindrical lens cleaner, as shown and described.

DESCRIPTION

FIG. 1 is an isometric view of the cylindrical lens cleaner with a cap therefor shown in broken lines for illustrative purposes only and forms no part of the claimed design;

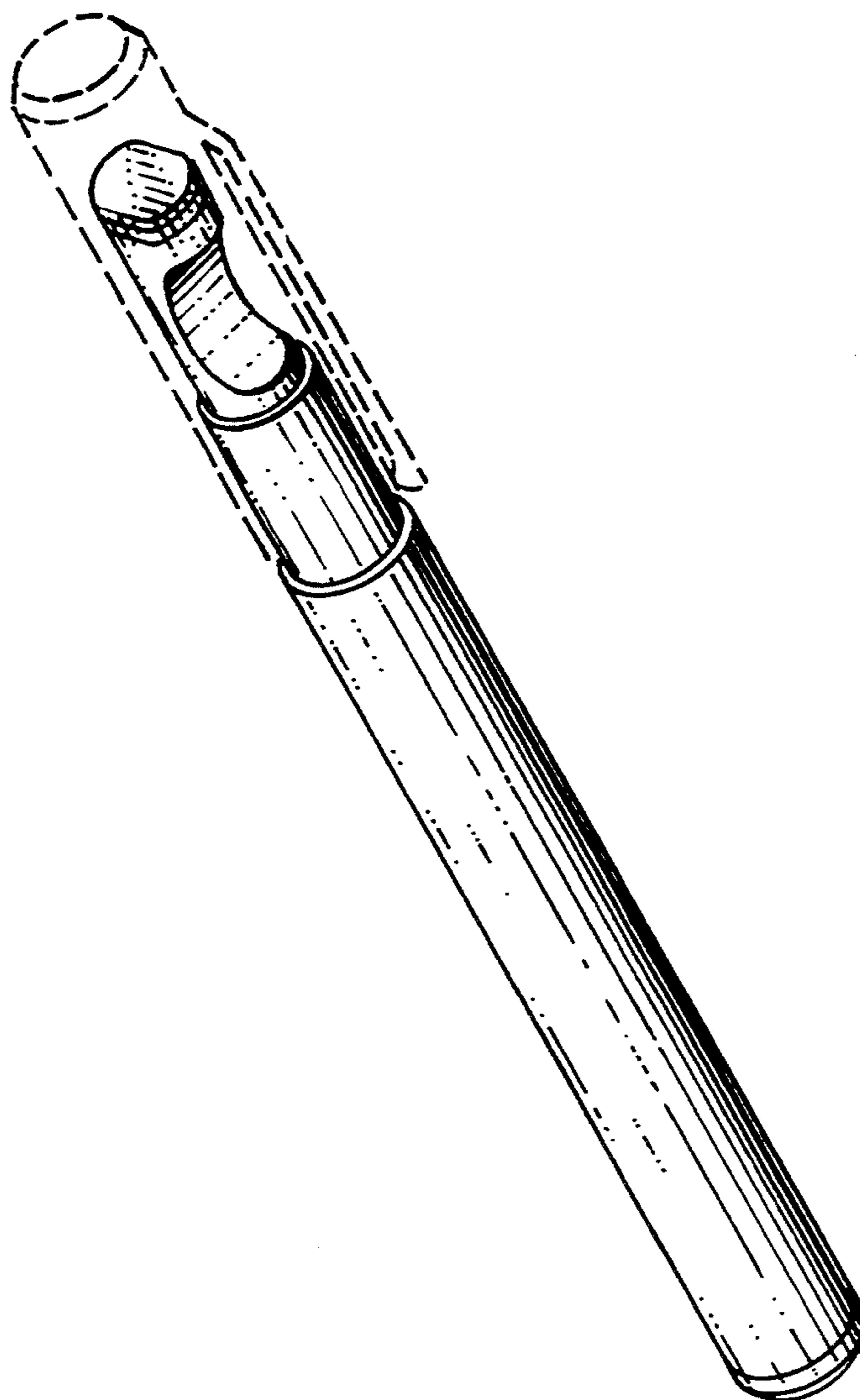
FIG. 2 is a end view of one end thereof;

FIG. 3 is an end view of an end opposite the end of FIG. 2;

FIG. 4 is a front elevation thereof;

FIG. 5 is side elevation thereof, the other side being a mirror image; and,

FIG. 6 is a rear elevation thereof.



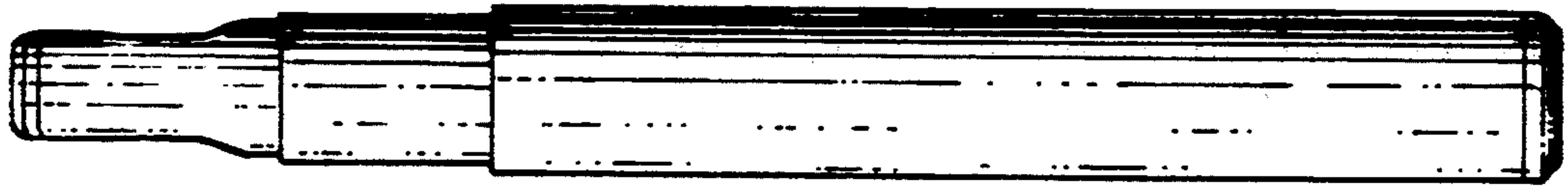


FIG. 6

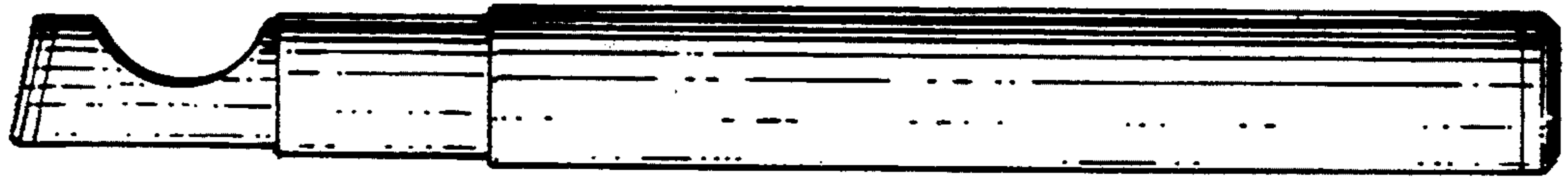


FIG. 5

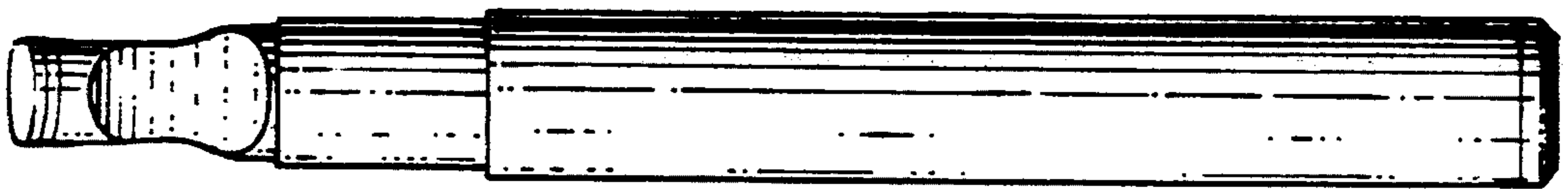


FIG. 4



FIG. 2

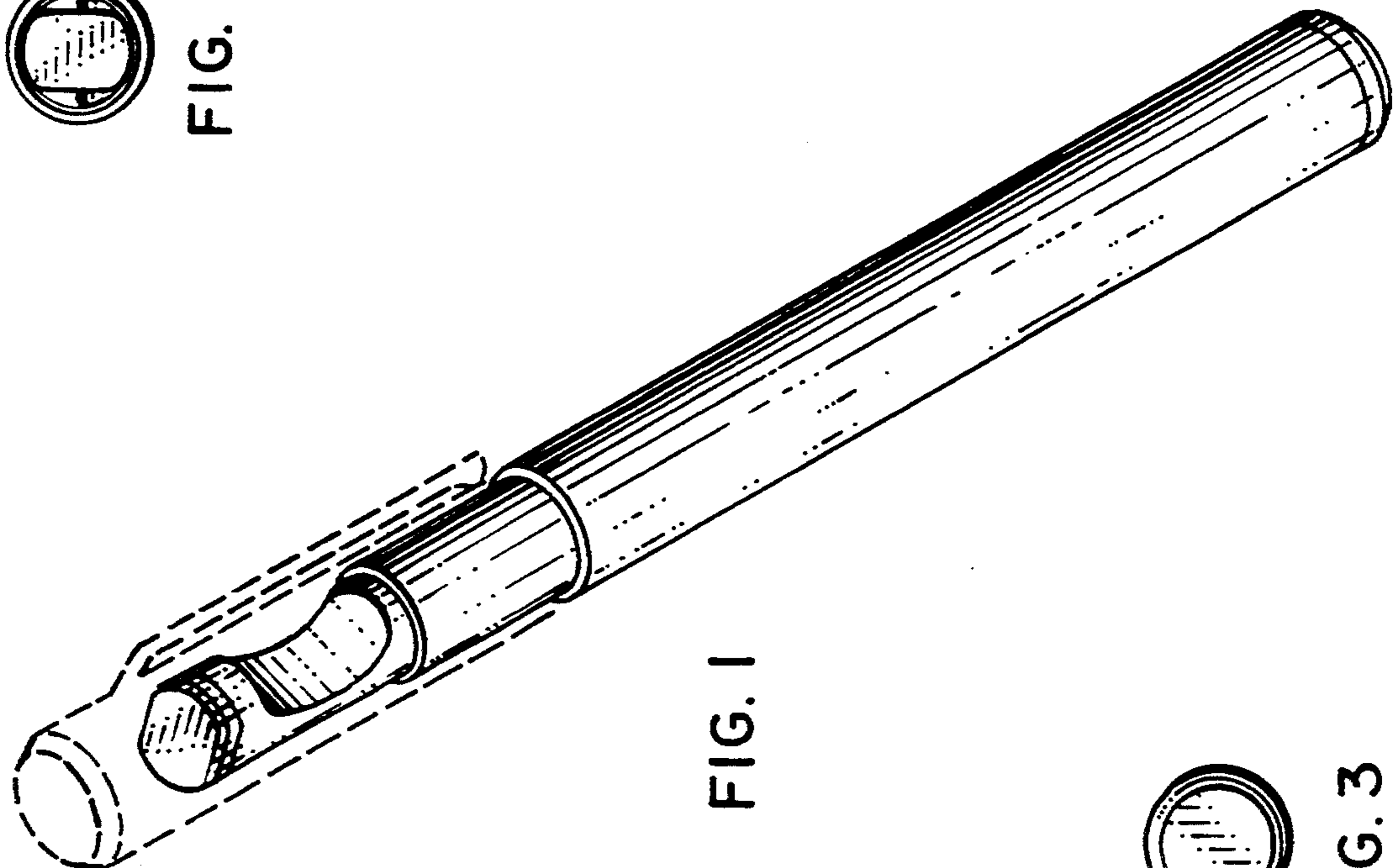


FIG. 1



FIG. 3