



US00D362091S

United States Patent [19]

[11] Patent Number: **Des. 362,091**

Tomasiak et al.

[45] Date of Patent: **** Sep. 5, 1995**

[54] **COMBINED WET/DRY VACUUM CLEANER WITH DETACHABLE BLOWER**

[75] Inventors: **Mark J. Tomasiak, O'Fallon; Jeffrey L. Young, St. Peters, both of Mo.**

[73] Assignee: **Emerson Electric Co., St. Louis, Mo.**

[**] Term: **14 Years**

[21] Appl. No.: **28,276**

[22] Filed: **Sep. 9, 1994**

[52] U.S. Cl. **D32/23**

[58] Field of Search **D32/21, 23, 24; 15/327.1, 327.2, 327.4, 320-321, 323, 353, 347, 328**

4,501,378	2/1985	Berfield	220/324
4,512,713	4/1985	Berfield	415/119
4,538,971	9/1985	Miller et al.	417/423
4,797,072	1/1989	Berfield et al.	417/423.2
4,836,753	6/1989	Berfield et al.	417/236
4,880,364	11/1989	Berfield et al.	417/423

Primary Examiner—Ruth McInroy
Attorney, Agent, or Firm—Polster, Lieder, Woodruff & Lucchesi

[57] CLAIM

The ornamental design for combined wet/dry vacuum cleaner with detachable blower, as shown and described.

DESCRIPTION

FIG. 1 is a front perspective view of a wet/dry vacuum cleaner with detachable blower showing our new design;

FIG. 2 is a rear perspective view thereof;

FIG. 3 is a top plan view thereof;

FIG. 4 is a bottom plan view thereof;

FIG. 5 is a right side elevational view thereof;

FIG. 6 is a left side elevational view thereof;

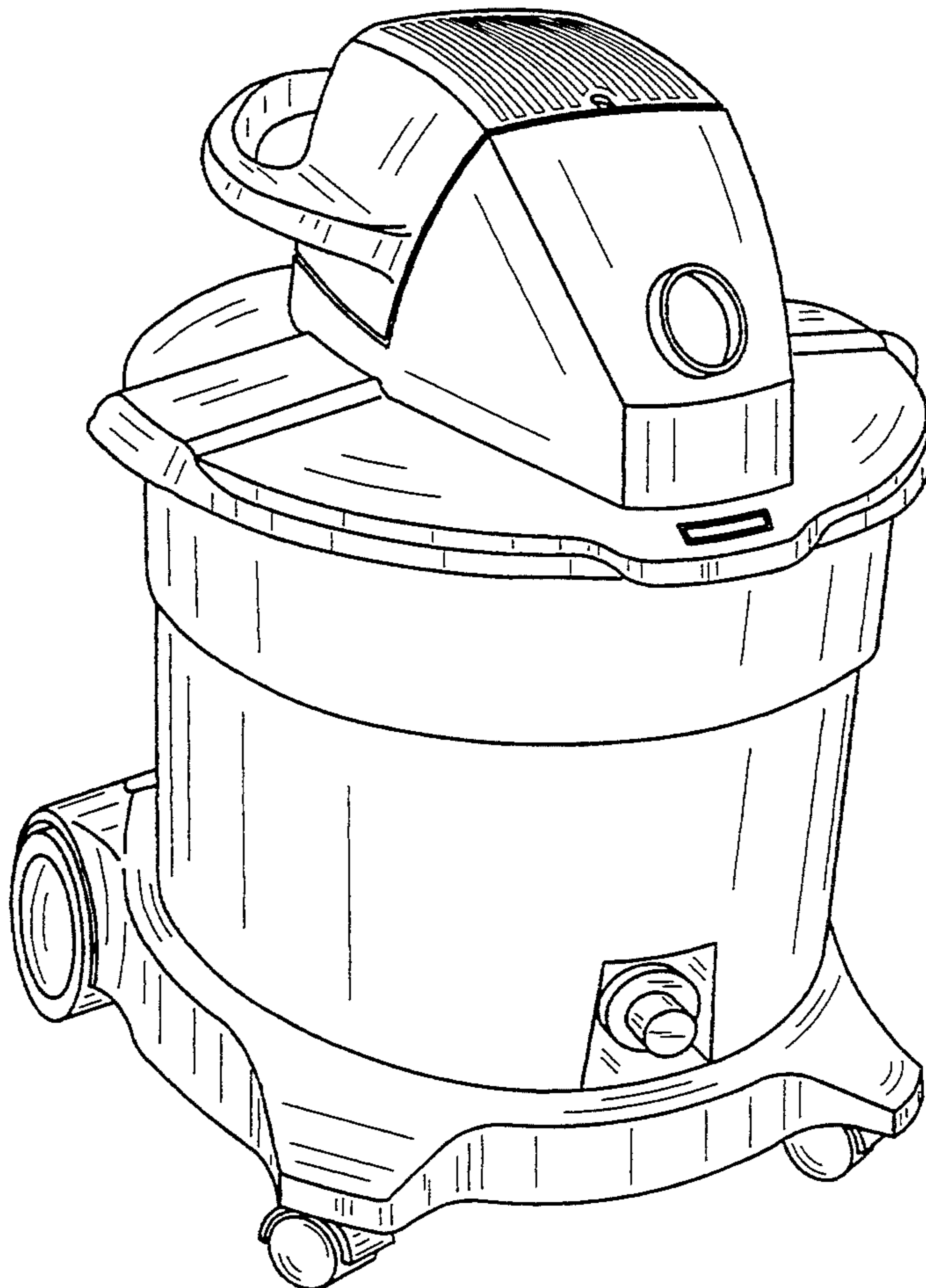
FIG. 7 is a front end elevational view thereof; and,

FIG. 8 is an rear end elevational view thereof.

[56] References Cited

U.S. PATENT DOCUMENTS

D. 178,199	7/1956	Martinec	D32/23
D. 255,357	6/1980	Brooks et al.	D32/23
D. 266,612	10/1982	Hug	D32/23
D. 280,768	9/1985	Ferraris et al.	D32/23
D. 324,930	3/1992	Pino	D32/23
D. 335,555	5/1993	Reath	D32/21
D. 338,294	8/1993	Kohler	D32/23
4,270,668	6/1981	Berfield	220/324



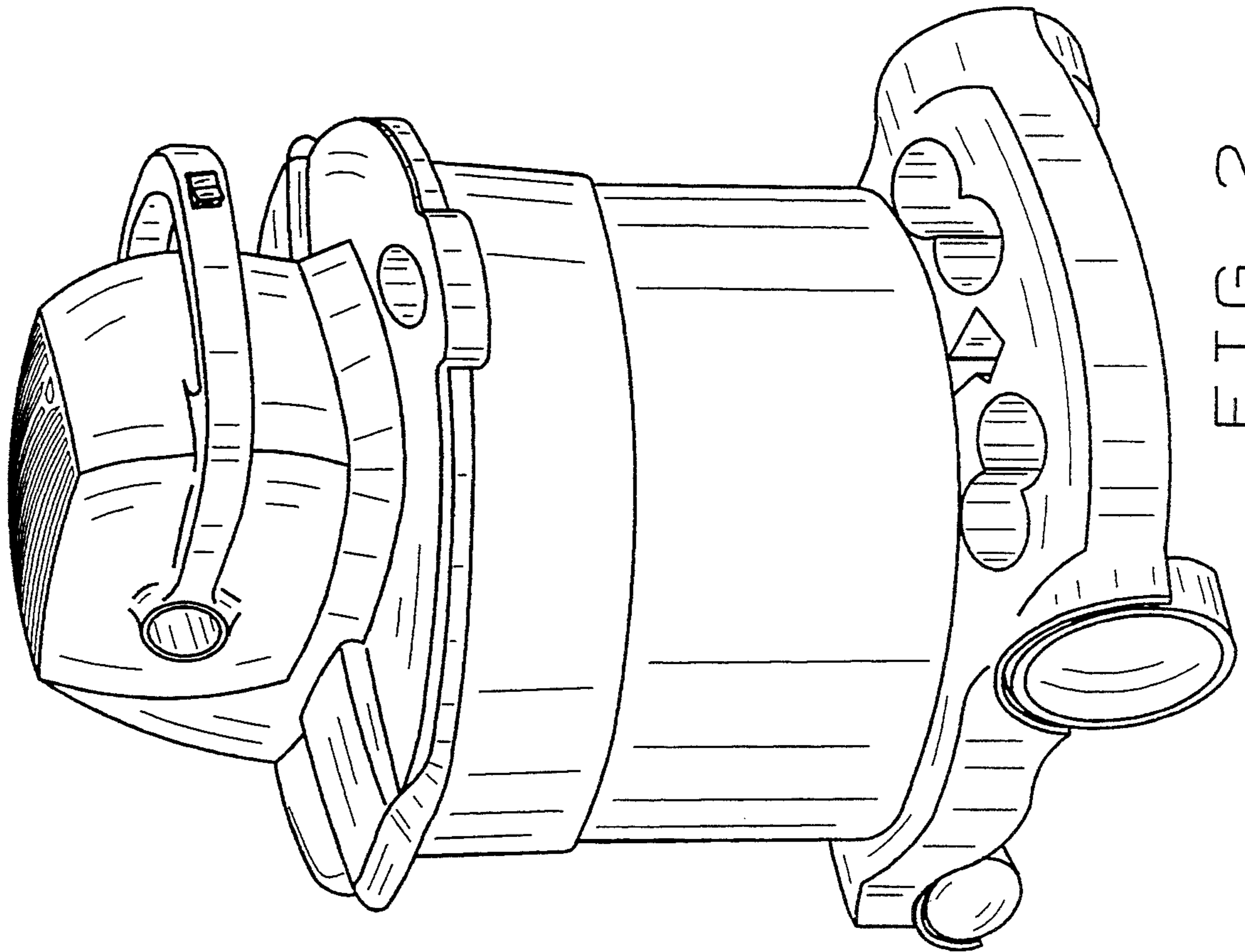


FIG. 2

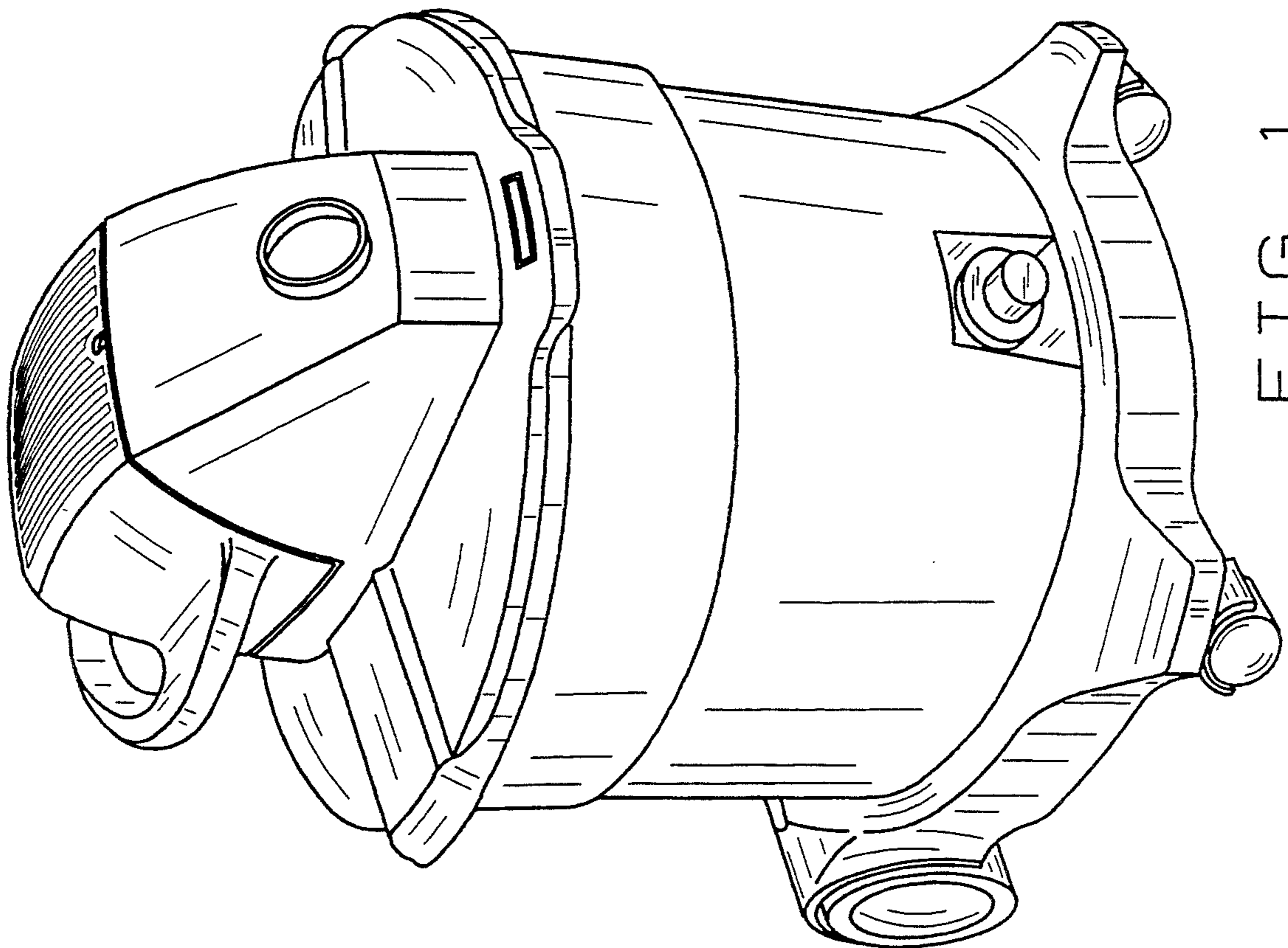


FIG. 1

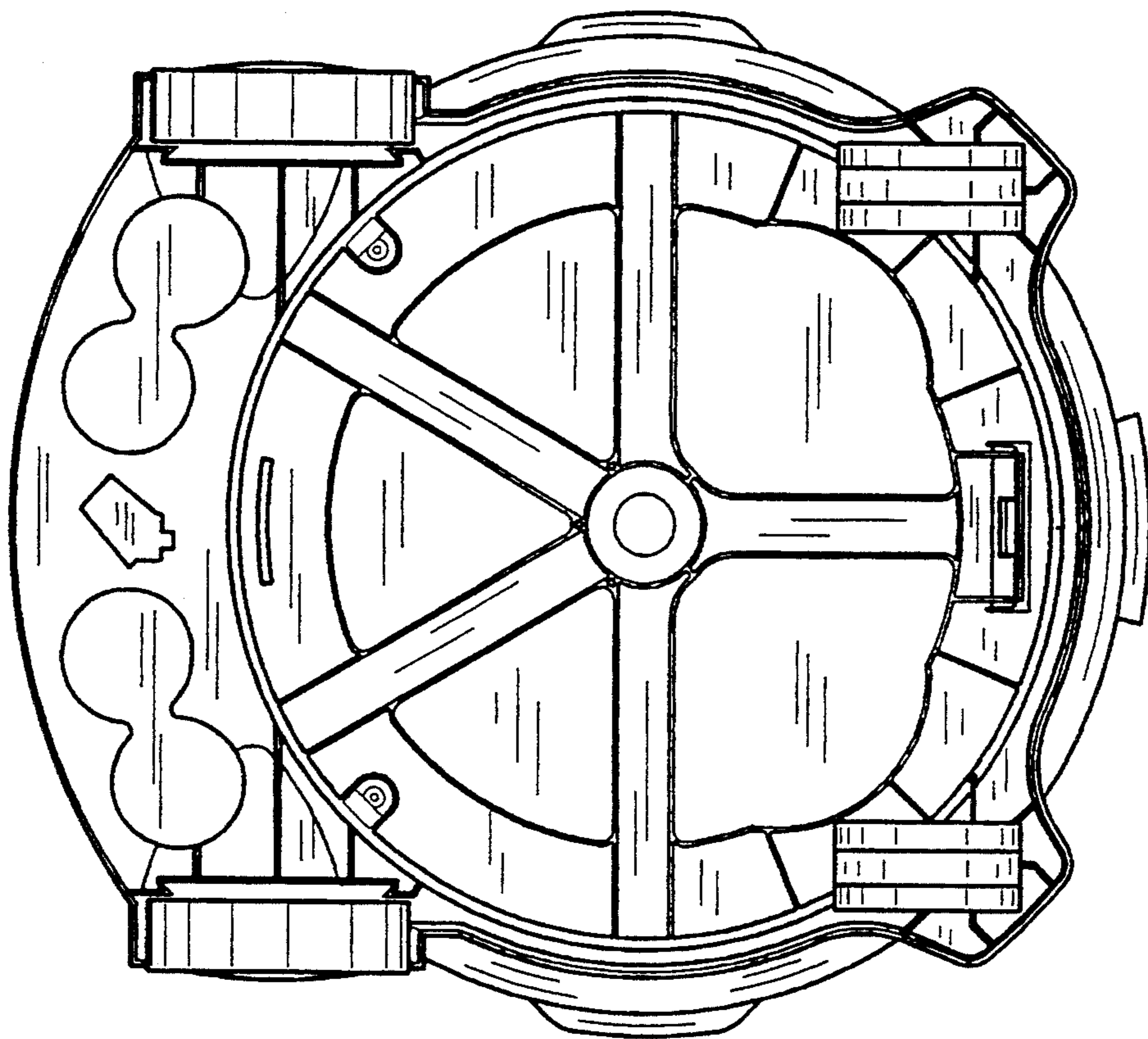


FIG. 3

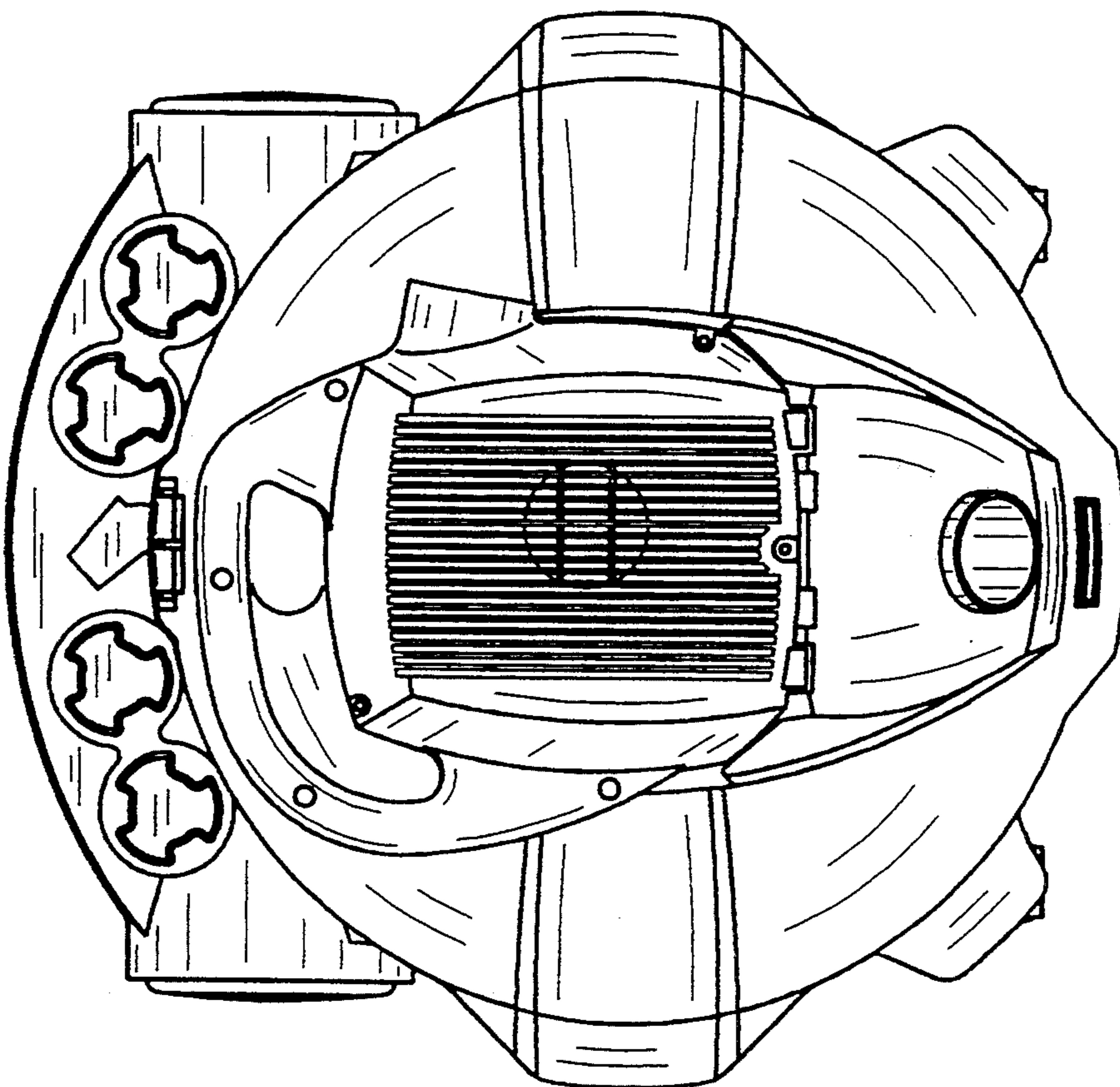


FIG. 4

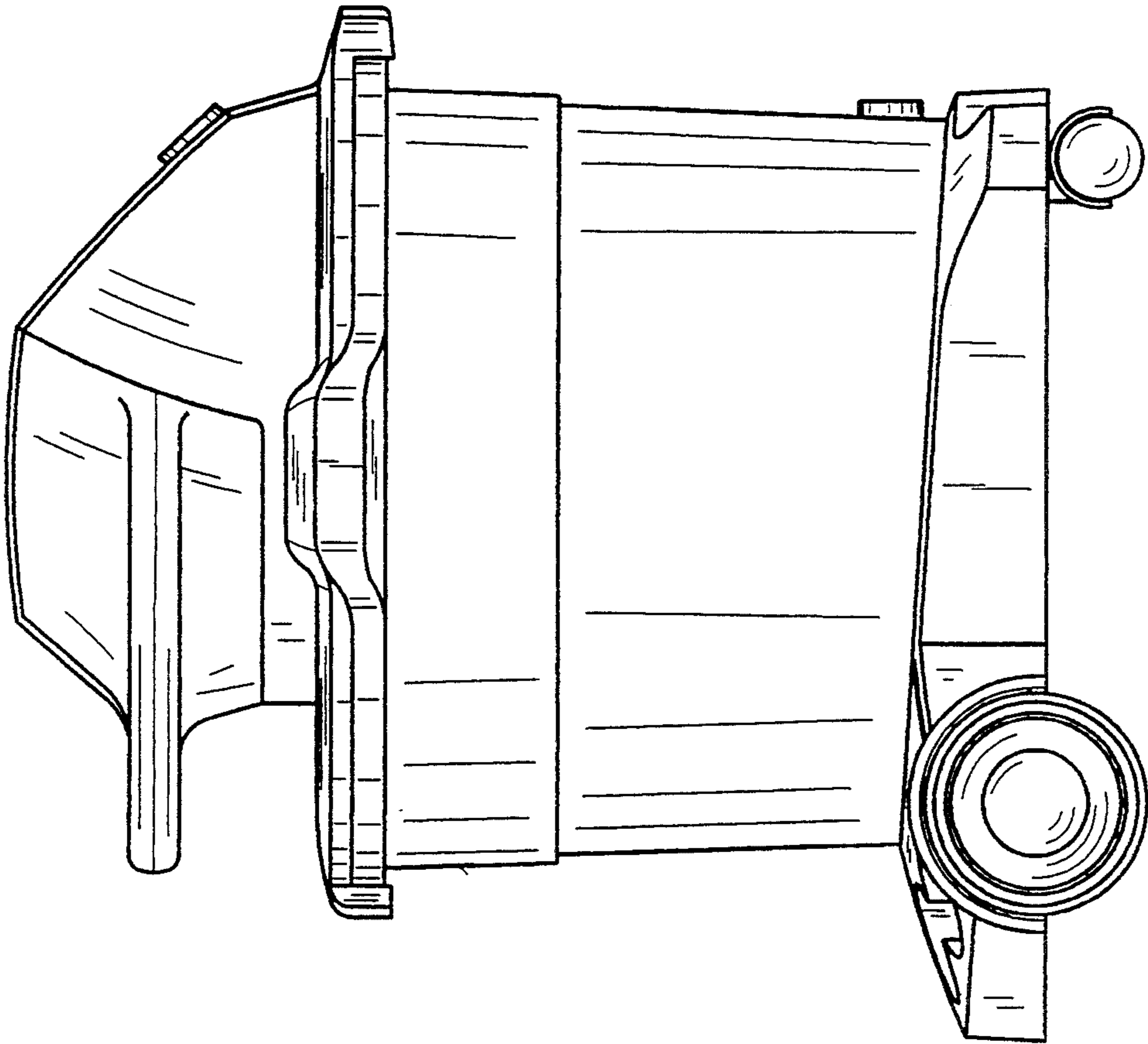


FIG. 6

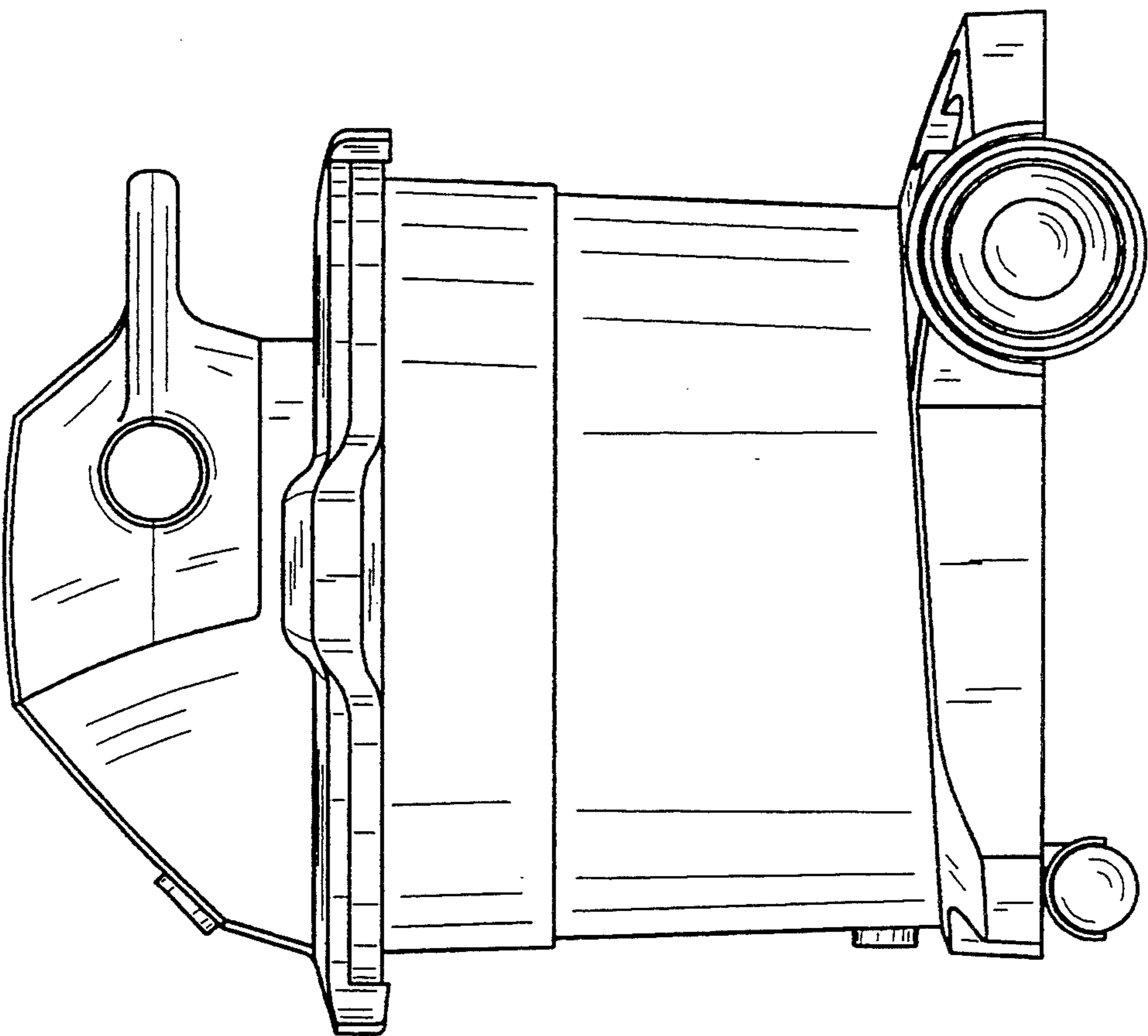


FIG. 5

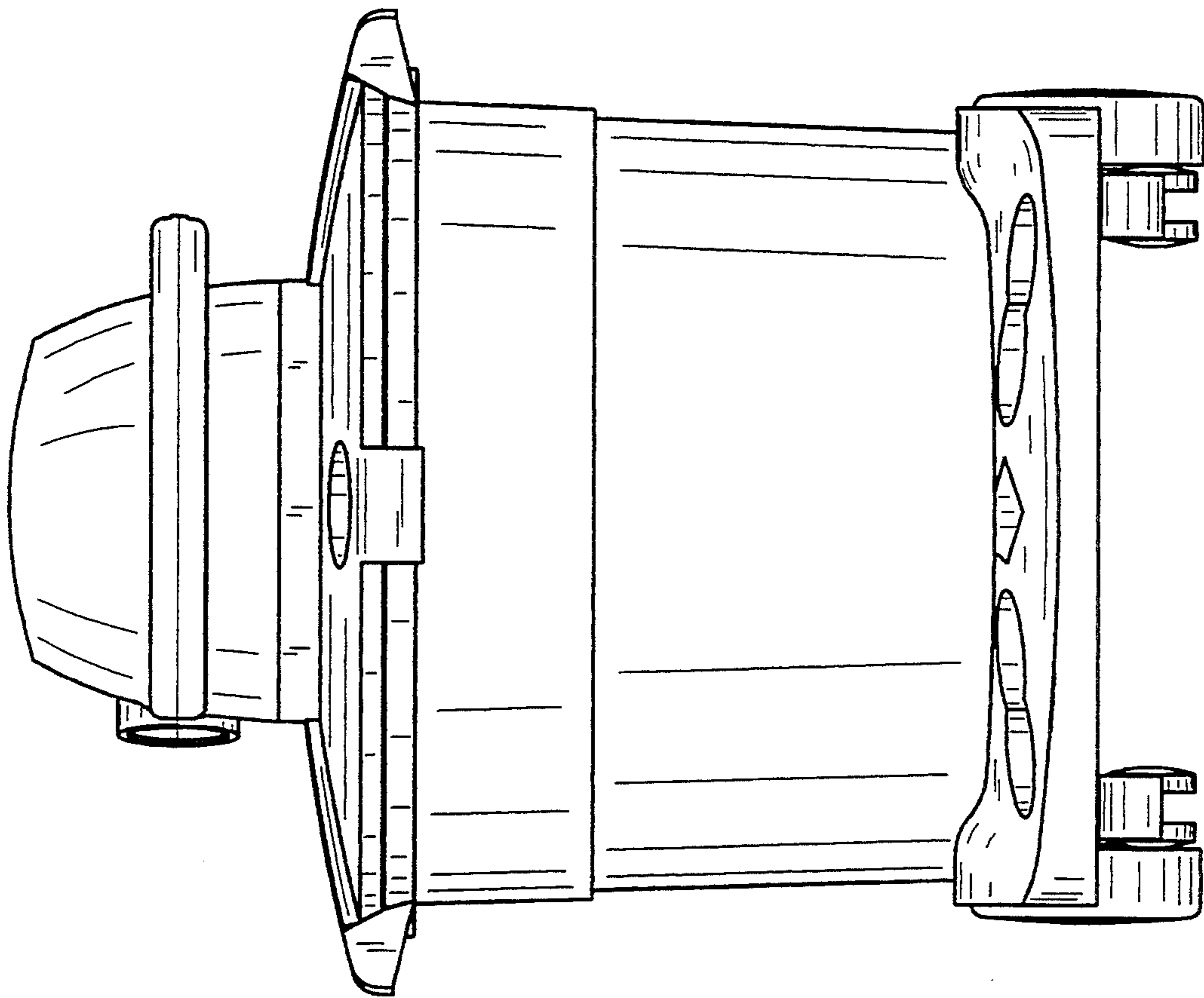


FIG. 8

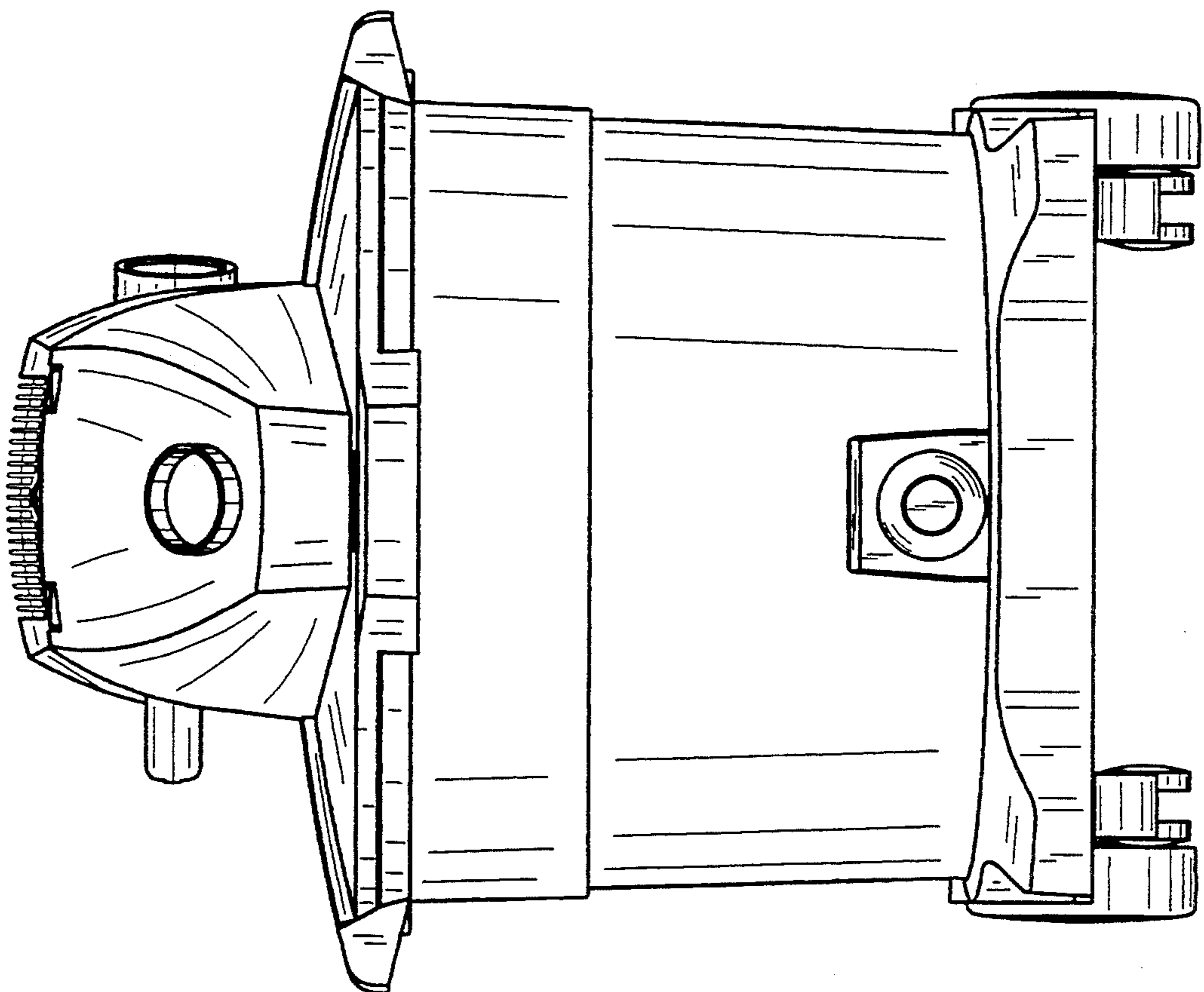


FIG. 7