



US00D362090S

# United States Patent [19]

[11] Patent Number: **Des. 362,090**

Baldwin et al.

[45] Date of Patent: **\*\* Sep. 5, 1995**

[54] **MOATED PET FEEDER**

5,113,798 5/1992 Rera ..... 119/61  
5,277,149 1/1994 East ..... 119/61

[76] Inventors: **Robert L. Baldwin; Judith K. Baldwin**, both of 1721 Rustic Wood Ct., Mobile, Ala. 36609

### OTHER PUBLICATIONS

House & Garden; Dec. 1951; p. 62; Fray.

[\*\*] Term: **14 Years**

*Primary Examiner*—Cathy Anne MacCormac  
*Attorney, Agent, or Firm*—David L. Baker; Henry S. Miller; Rhodes & Ascolillo

[21] Appl. No.: **26,266**

[22] Filed: **Jul. 25, 1994**

[52] U.S. Cl. .... **D30/130; D7/507; D7/553; D7/555**

### [57] CLAIM

The ornamental design for a moated pet feeder, as shown and described.

[58] Field of Search ..... **D30/121, 129, 130, 131, D30/133, 132; 119/61, 51.5; D7/502, 551, 553-556, 558, 584, 507, 543, 504**

### DESCRIPTION

### [56] References Cited

#### U.S. PATENT DOCUMENTS

D. 211,817	7/1968	Weir .....	D30/129
D. 244,452	5/1977	Ohshiro .....	D21/252
D. 262,069	11/1981	Khider .....	D30/130
D. 294,531	3/1988	Neunzig .....	D30/130
D. 304,659	11/1989	Asner .....	D7/555
D. 313,489	1/1991	Conner .....	D30/130
D. 329,307	9/1992	Lamela et al. ....	D30/131
D. 342,806	12/1993	Jones et al. ....	D7/551
D. 348,589	7/1994	Cautereels .....	D7/558
2,148,180	2/1939	Teigen .....	D30/132
2,813,509	11/1957	Bruno .....	D30/129
4,357,905	11/1982	Carpenter .....	119/61a
4,726,553	2/1988	Wischusen, III .....	D7/507

FIG. 1 is an exploded perspective view of a moated pet feeder showing our new design;

FIG. 2 is a top plan view;

FIG. 3 is a bottom plan view;

FIG. 4 is a right side elevational view, the left side elevational view being a mirror image thereof;

FIG. 5 is a front elevational view; the rear elevational view being a mirror image thereof;

FIG. 6 is a cross-sectional view provided to show the design detail of the bowl locking ports, one with a bowl in place and one without;

FIG. 7 is a top plan view with both bowls removed to reveal the design; detail of the empty unit.

The dashed lines on the sides of FIGS. 1, 2, 3 and 7 are pieces which punch-out to accommodate ground stakes.

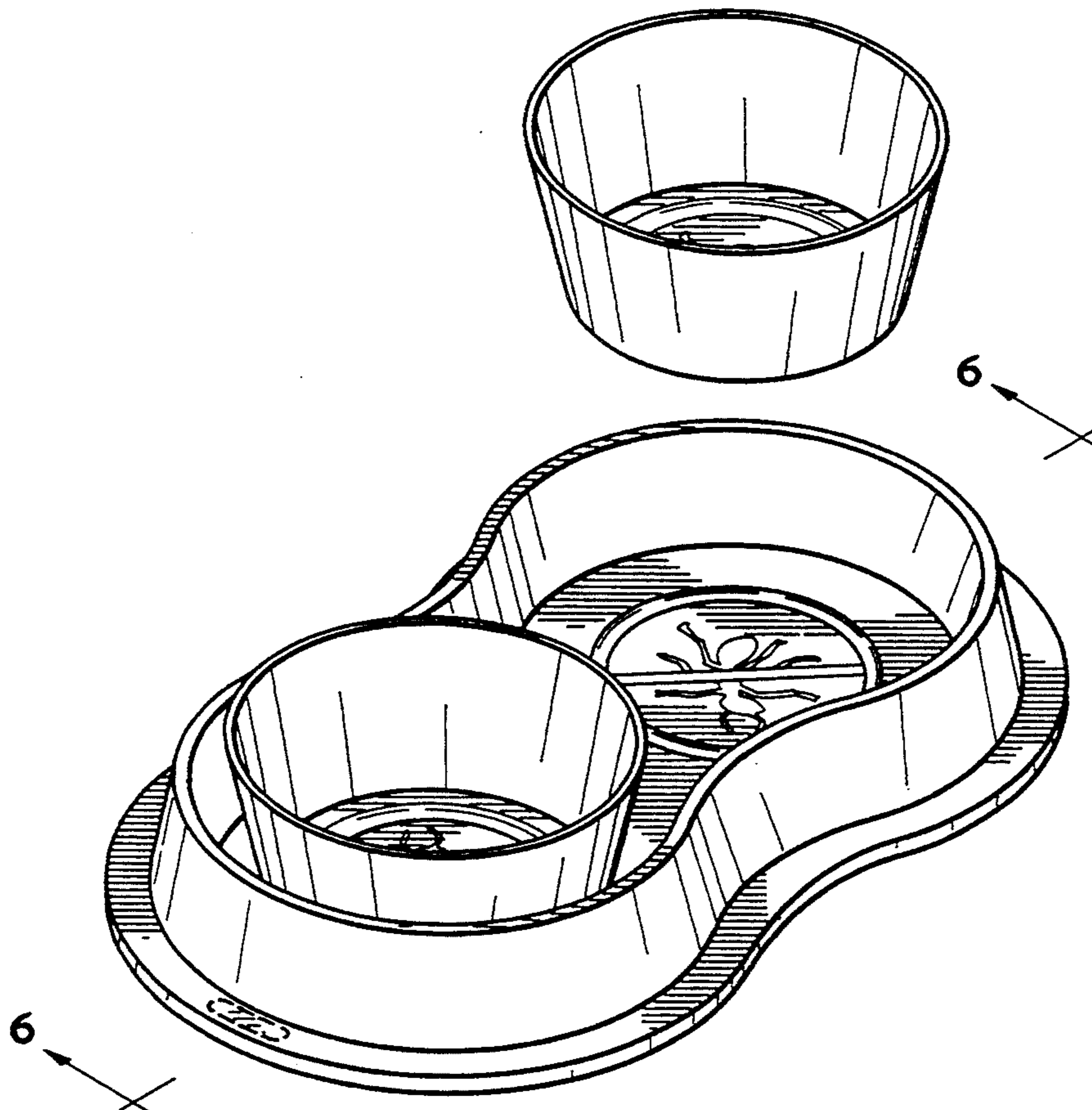


FIG. 1

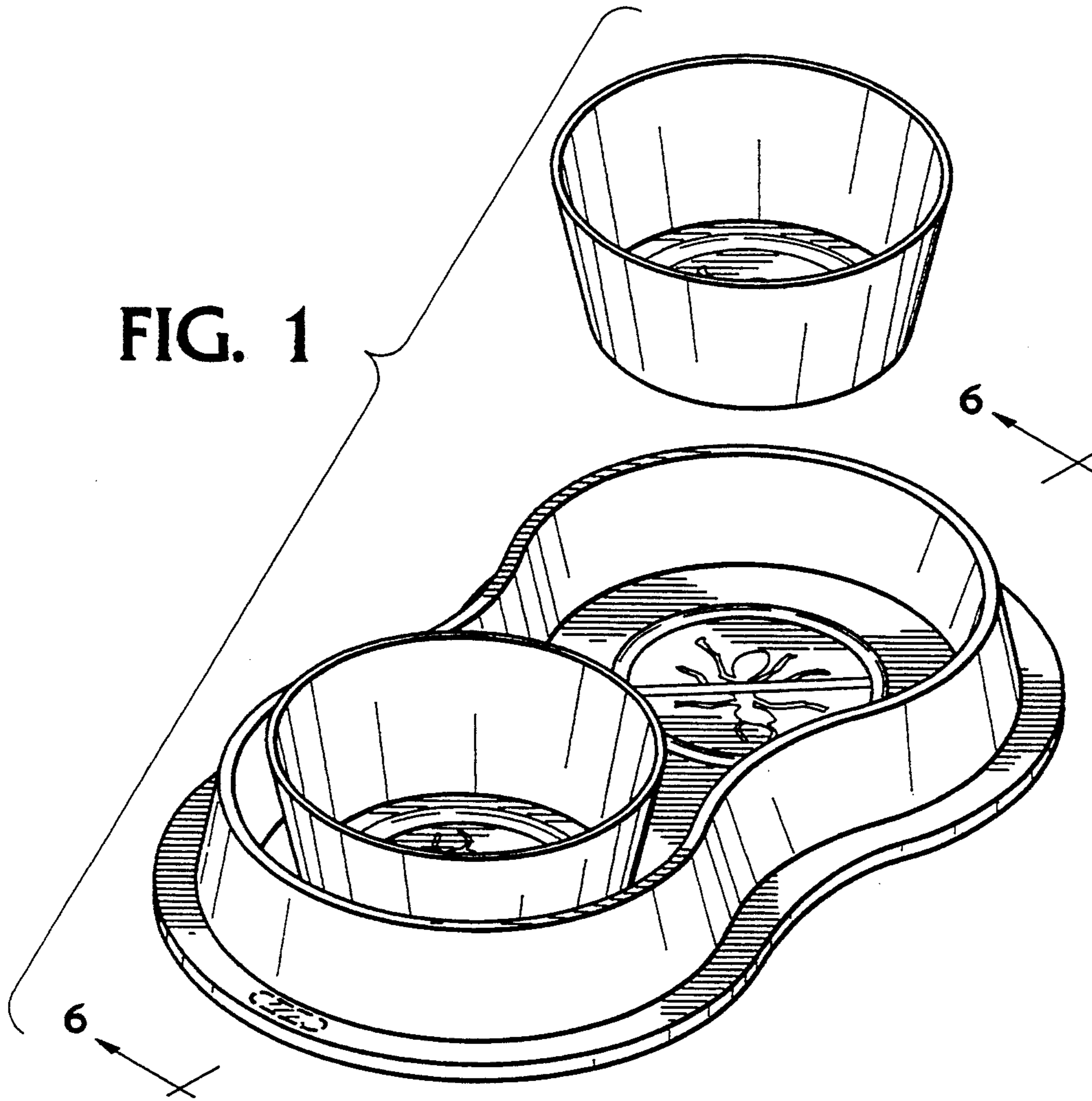


FIG. 7

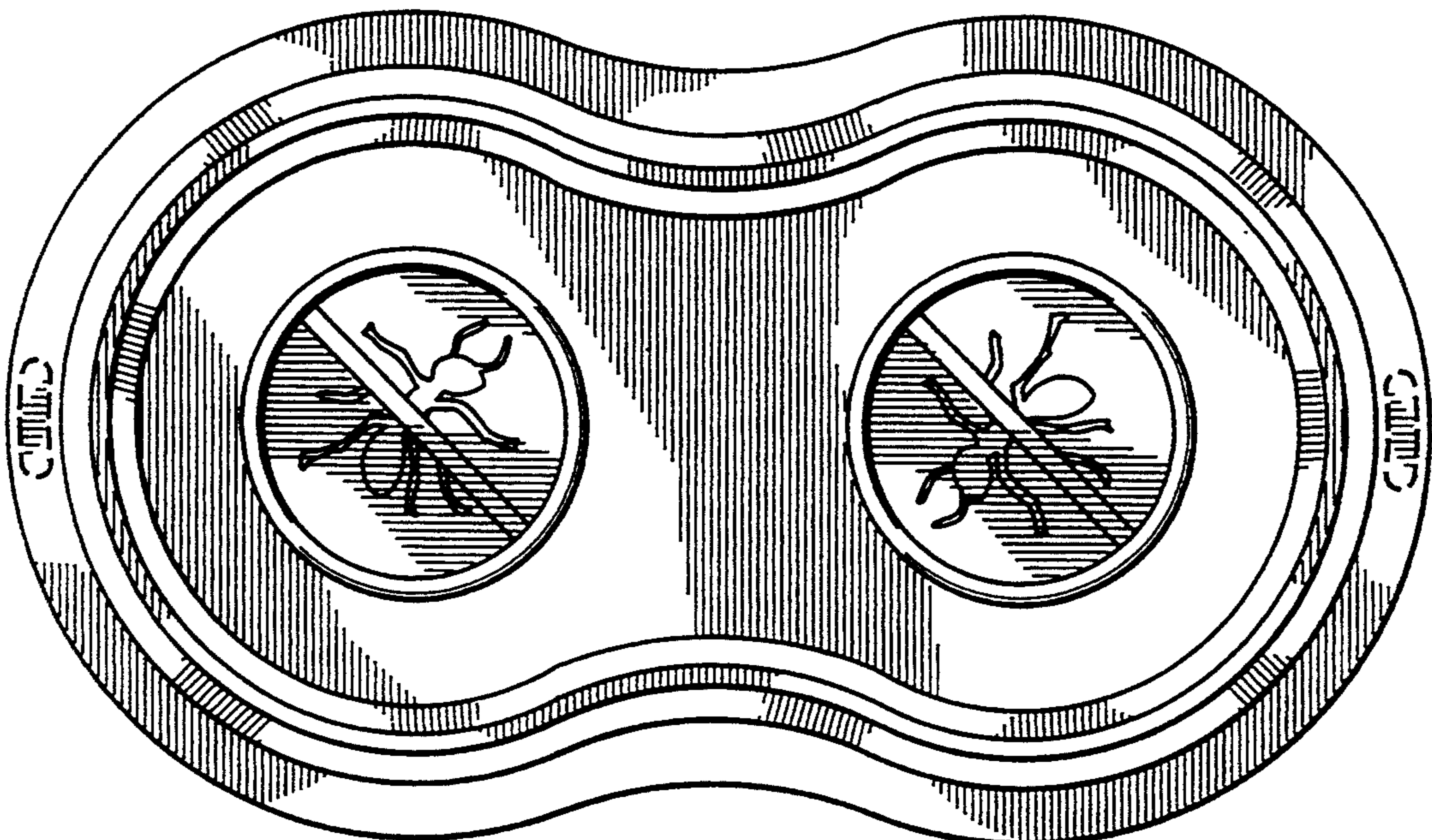


FIG. 2

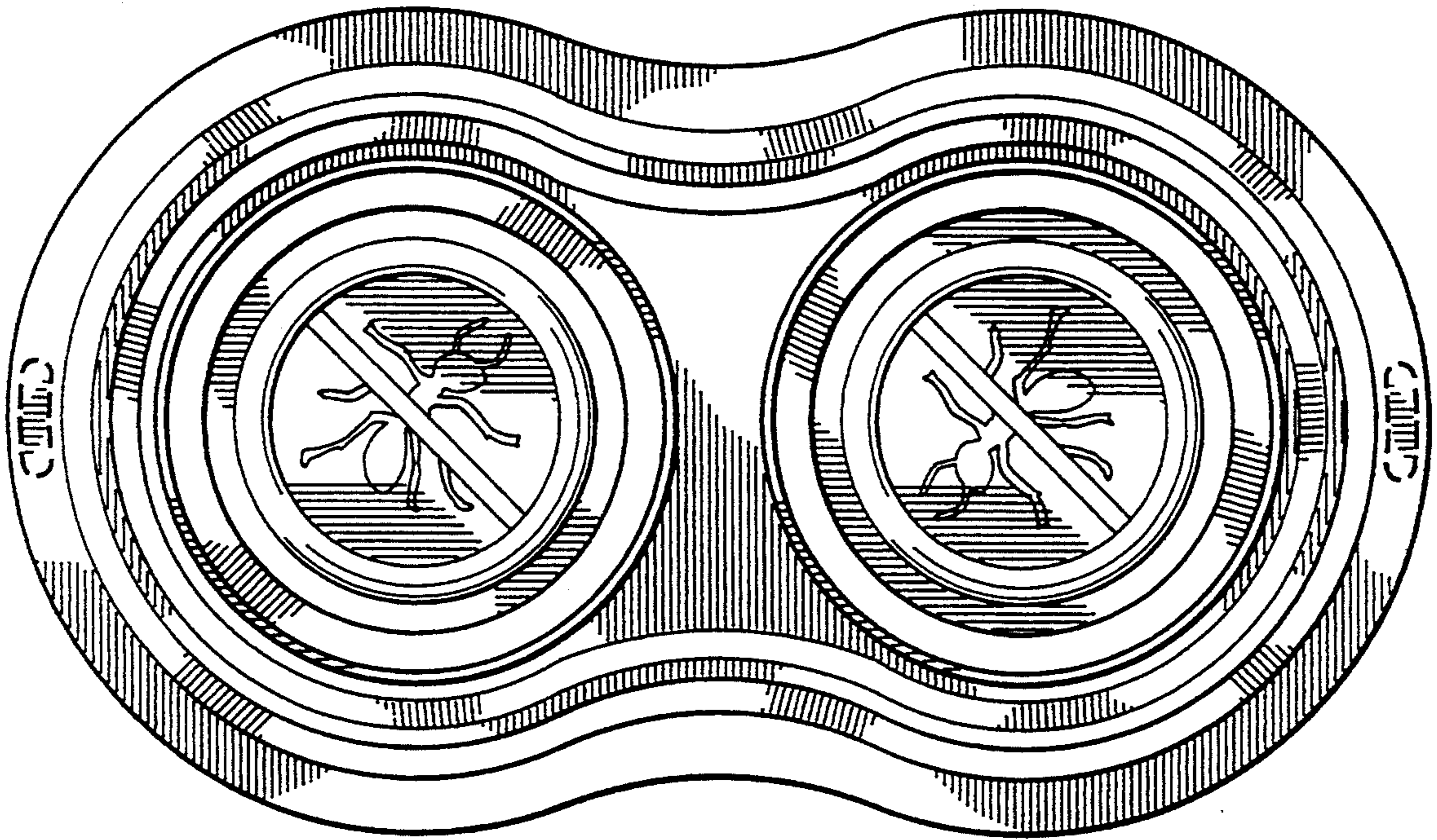


FIG. 3

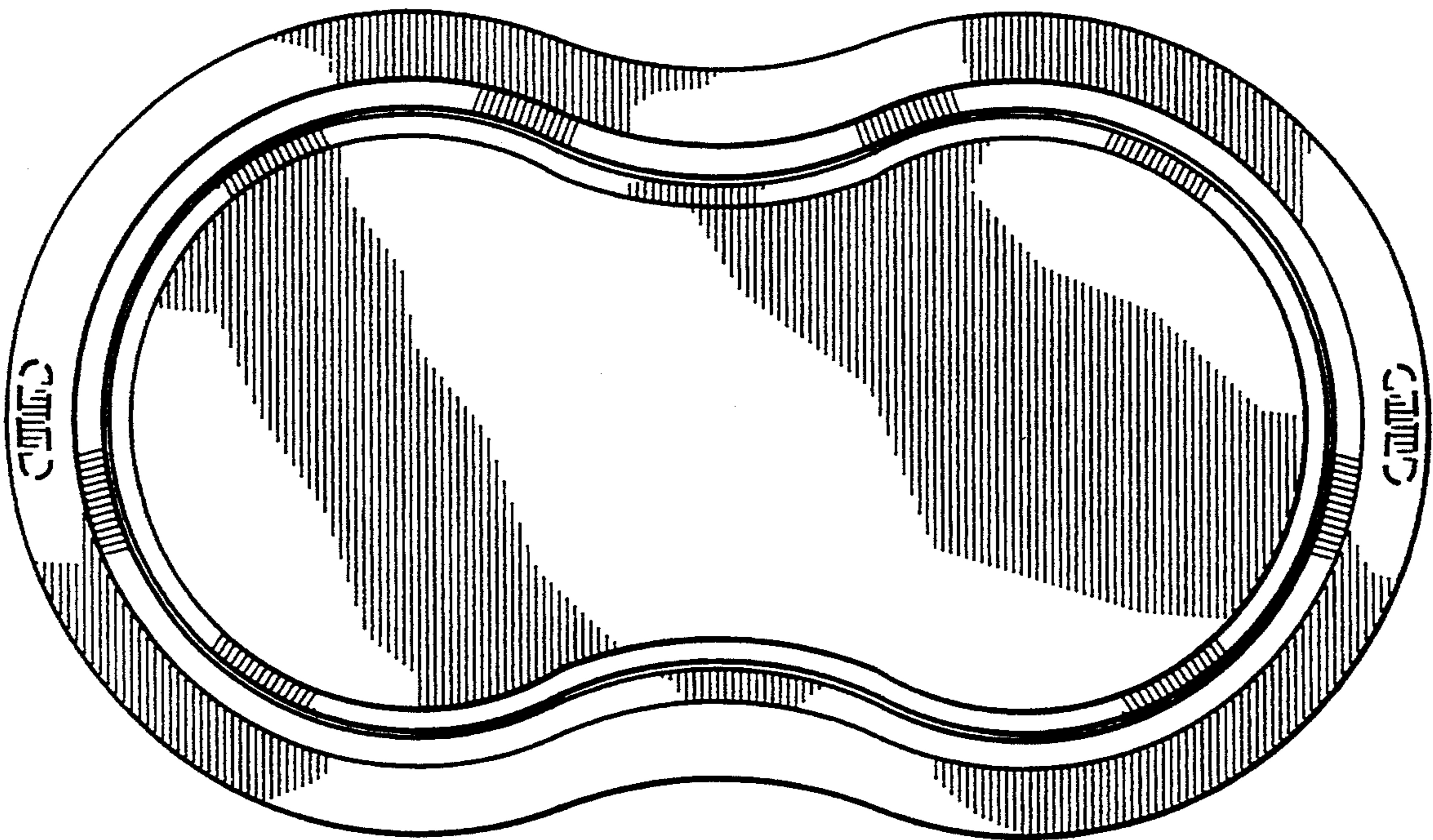


FIG. 4

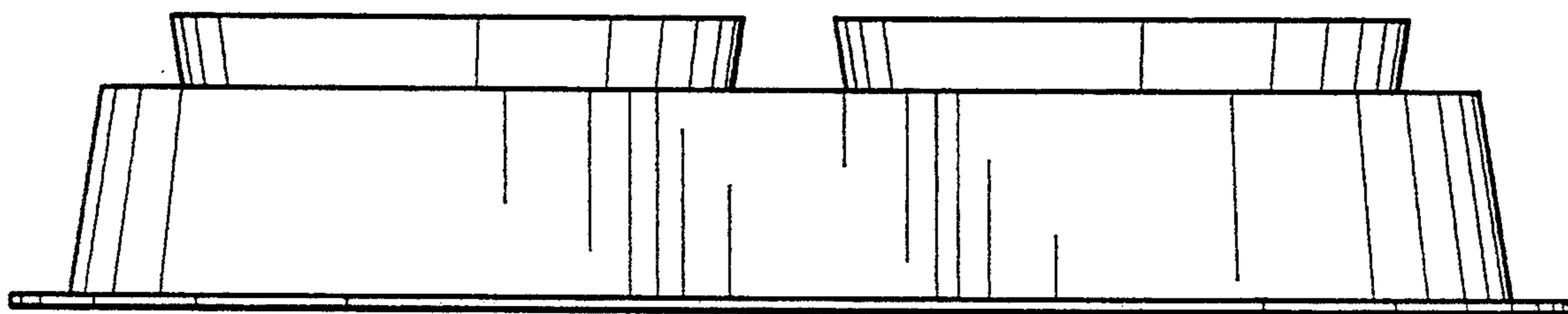


FIG. 5

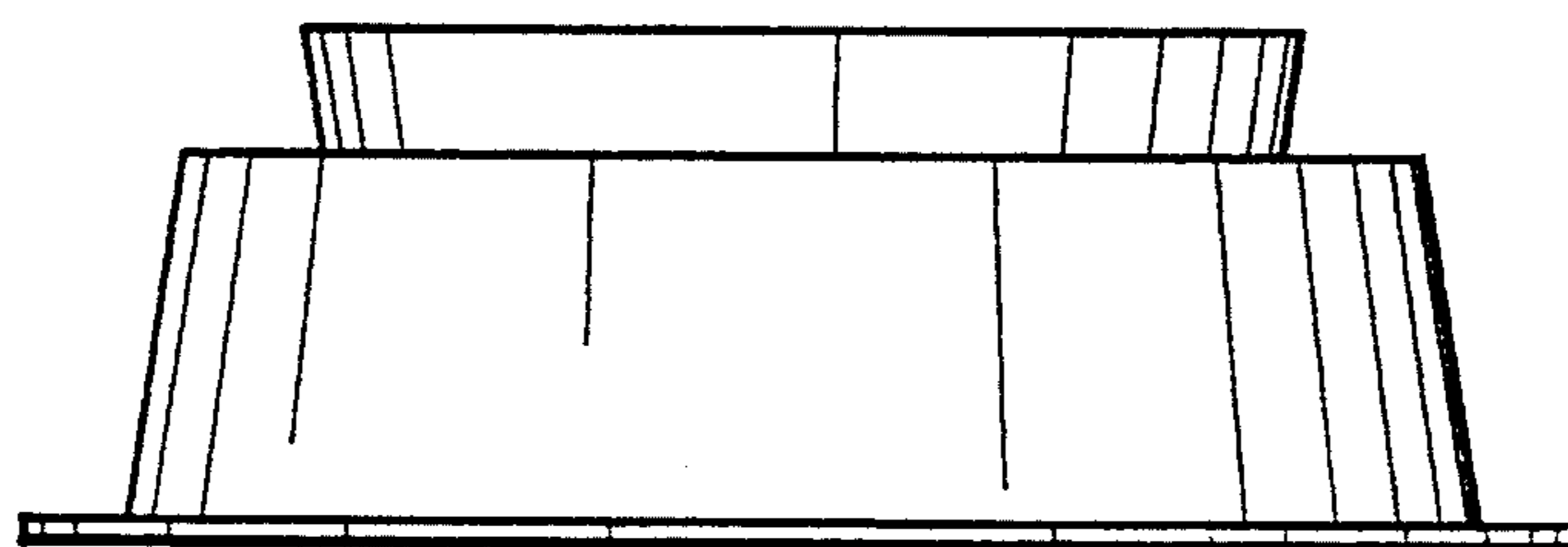


FIG. 6

