



US00D362089S

United States Patent [19]

[11] Patent Number: **Des. 362,089**

Moore et al.

[45] Date of Patent: **** Sep. 5, 1995**

[54] HEATED WATER DISH FOR PET

FOREIGN PATENT DOCUMENTS

[76] Inventors: **Keith A. Moore; Luke J. LaPanne,**
both of 2561 Palm Dale Dr.,
Grandville, Mich. 49418

821389 12/1937 France D30/19 130

OTHER PUBLICATIONS

[**] Term: **14 Years**

R. C. Steele Catalog; Summer 1992; p. 22; Water 'N Winter Pet Bowl.

[21] Appl. No.: **10,938**

Primary Examiner—Cathy Anne MacCormac

[22] Filed: **Jul. 23, 1993**

[52] U.S. Cl. **D30/129; D7/354**

[58] Field of Search 112/61, 51.5, 51.11,
112/51.12, 73; D30/121-122, 129, 130-133;
D7/323, 337, 326, 354

[57] CLAIM

The ornamental design for a heated water dish for pet, as shown and described.

DESCRIPTION

FIG. 1 is a front elevational view of the heated water dish for pet showing my new design;
FIG. 2 is a rear elevational view thereof;
FIG. 3 is a left side elevational view thereof;
FIG. 4 is a right side elevational view thereof;
FIG. 5 is a top plan view thereof;
FIG. 6 is a bottom plan view thereof;
FIG. 7 is a cross sectional view thereof; and,
FIG. 8 is a perspective view thereof.
The cord is shown broken away in FIGS. 1, 2, 5, and 8 to show indeterminate length.

[56] References Cited

U.S. PATENT DOCUMENTS

D. 330,785	11/1992	Jordan	D30/129
2,300,891	11/1942	Hanks	D7/326
4,561,384	12/1985	Liff	119/73
4,803,954	2/1989	Welch et al.	119/61
4,817,512	4/1989	Vangen	D7/323
4,827,874	5/1989	Mahan	119/61
5,005,524	4/1991	Berry	119/61
5,156,113	10/1992	Sextro	119/61

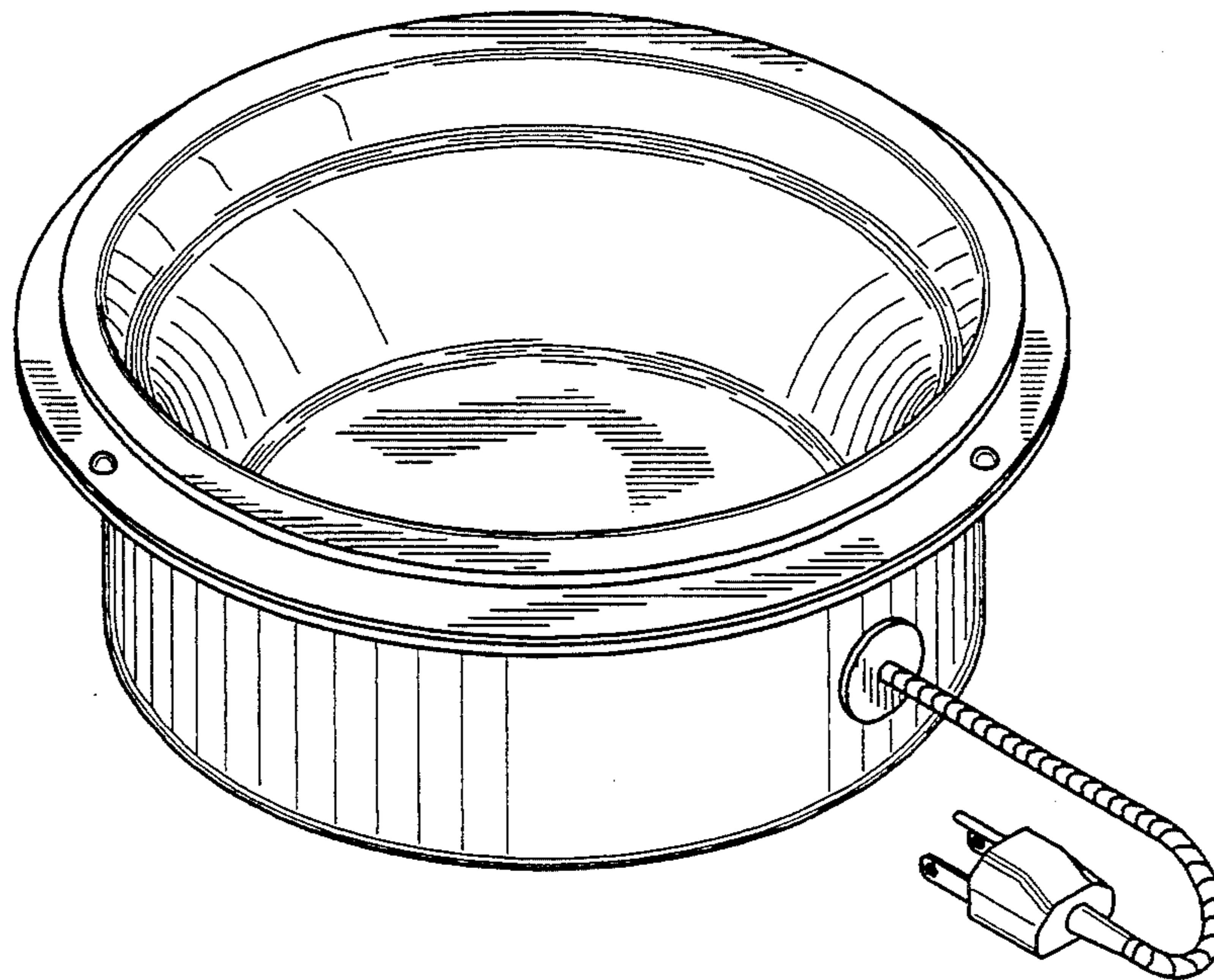
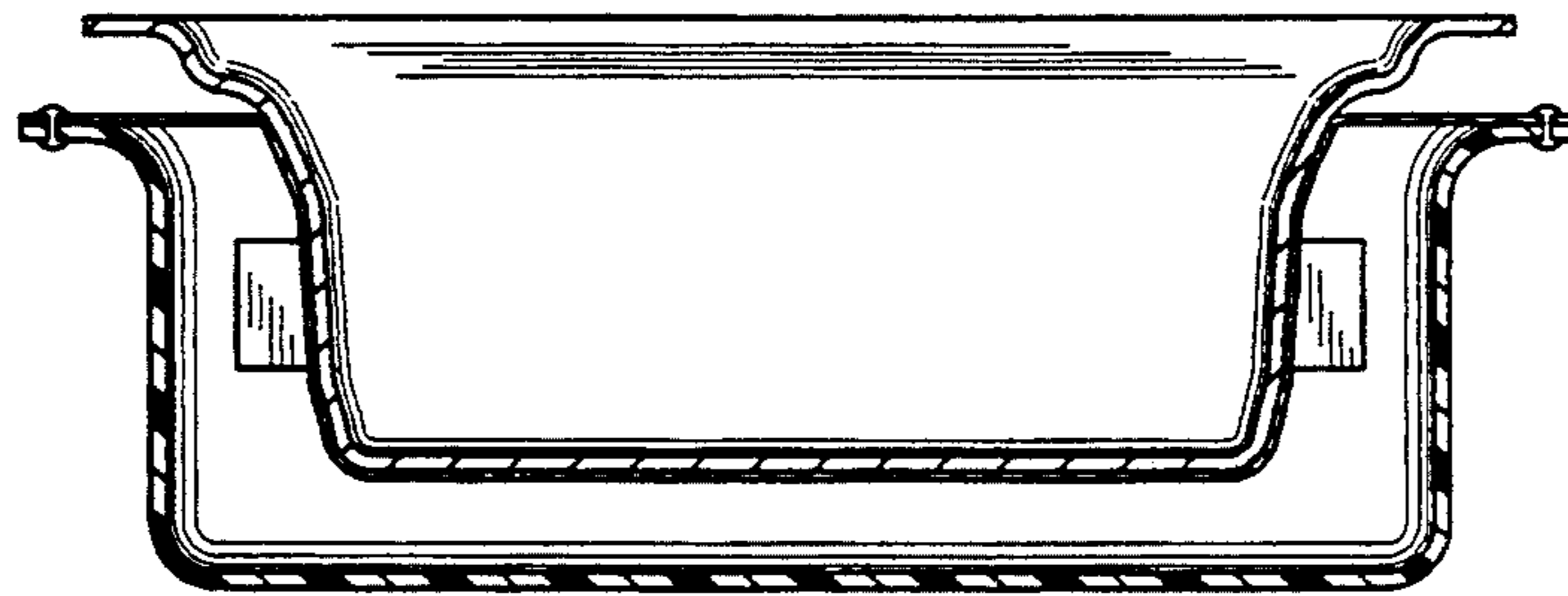


FIG. 1

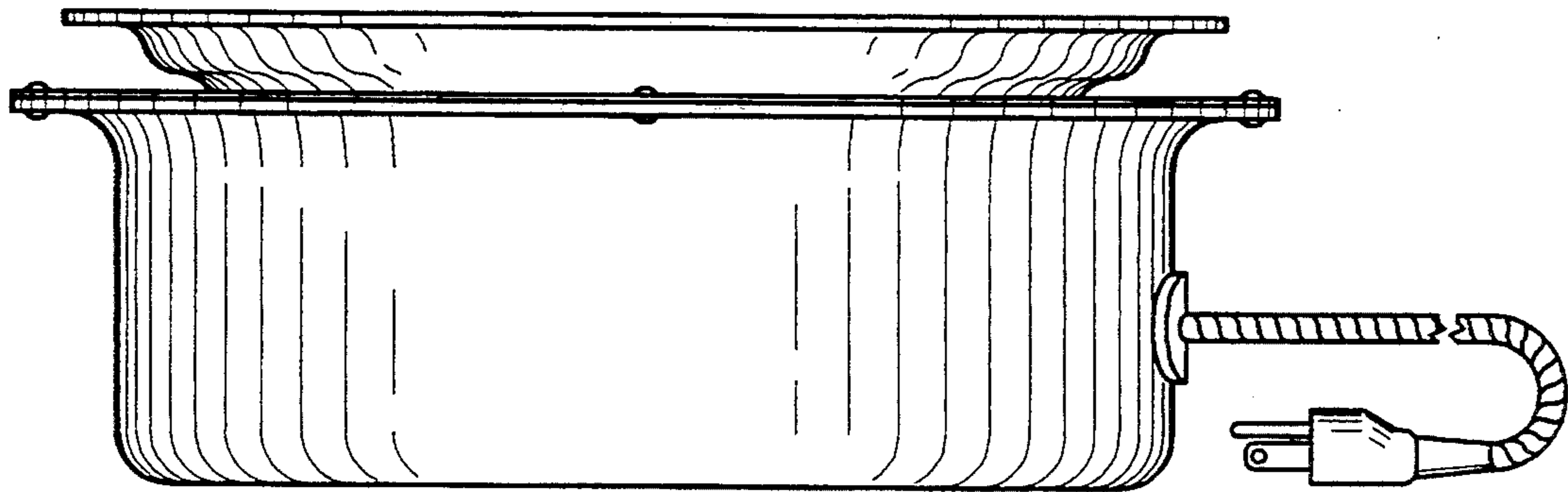


FIG. 2

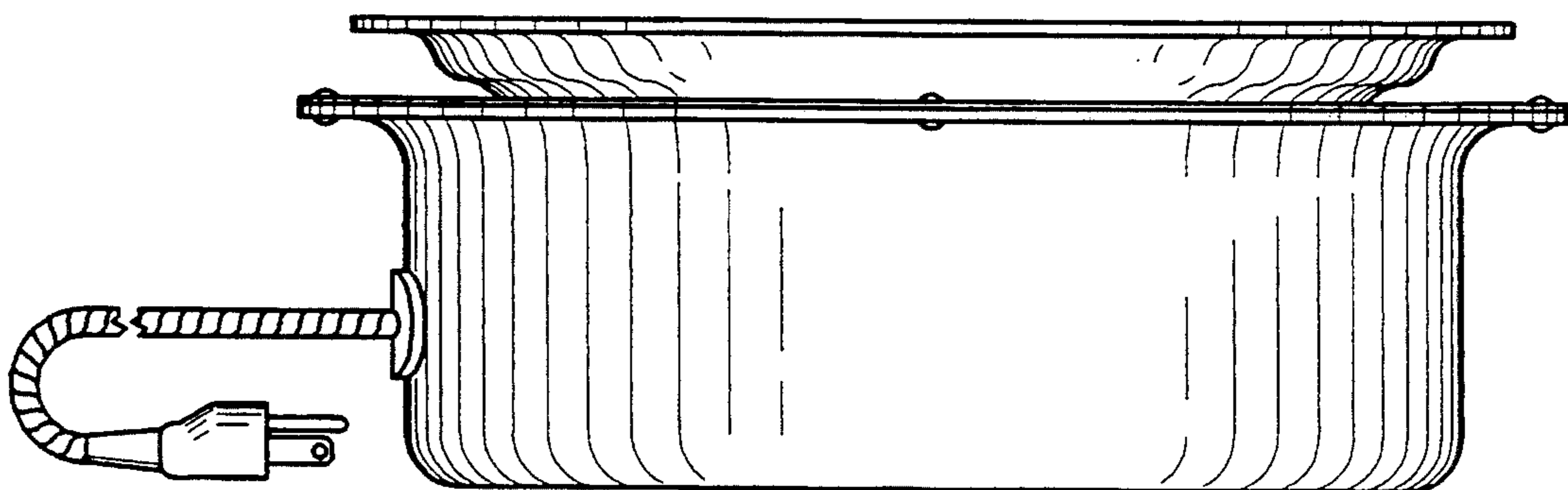


FIG. 3

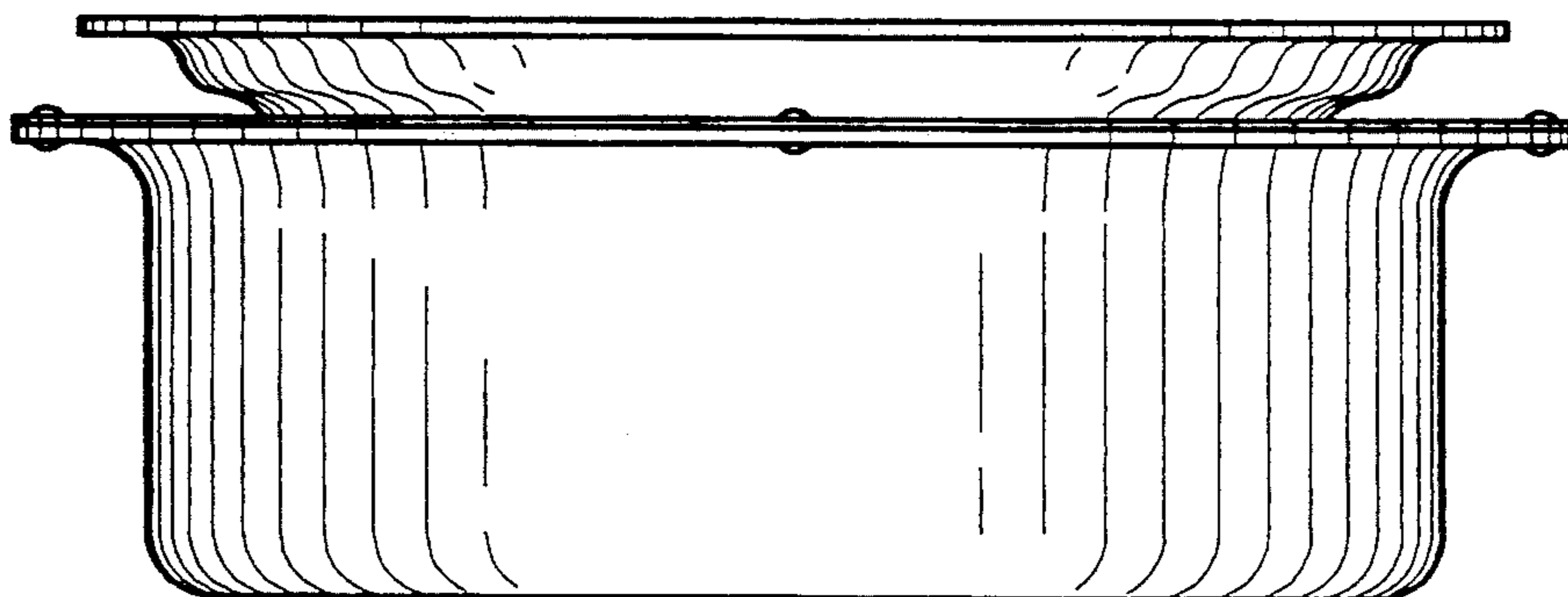


FIG. 4

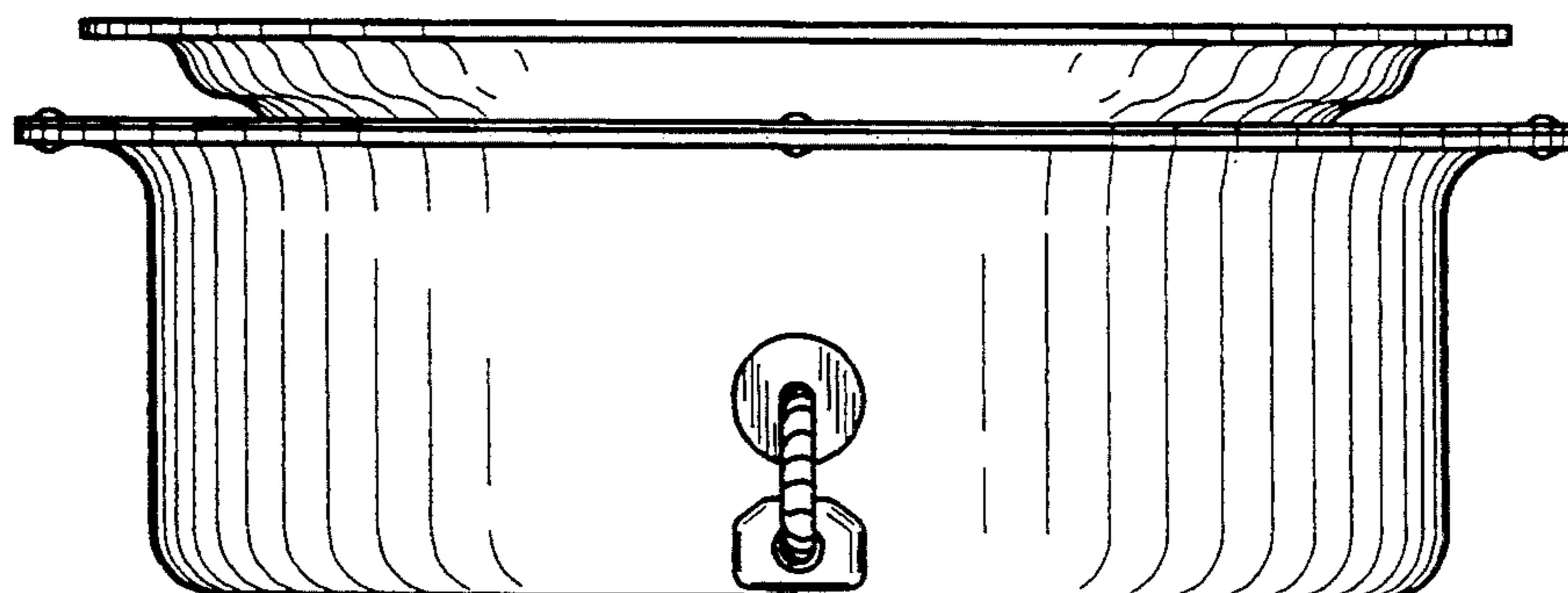


FIG. 5

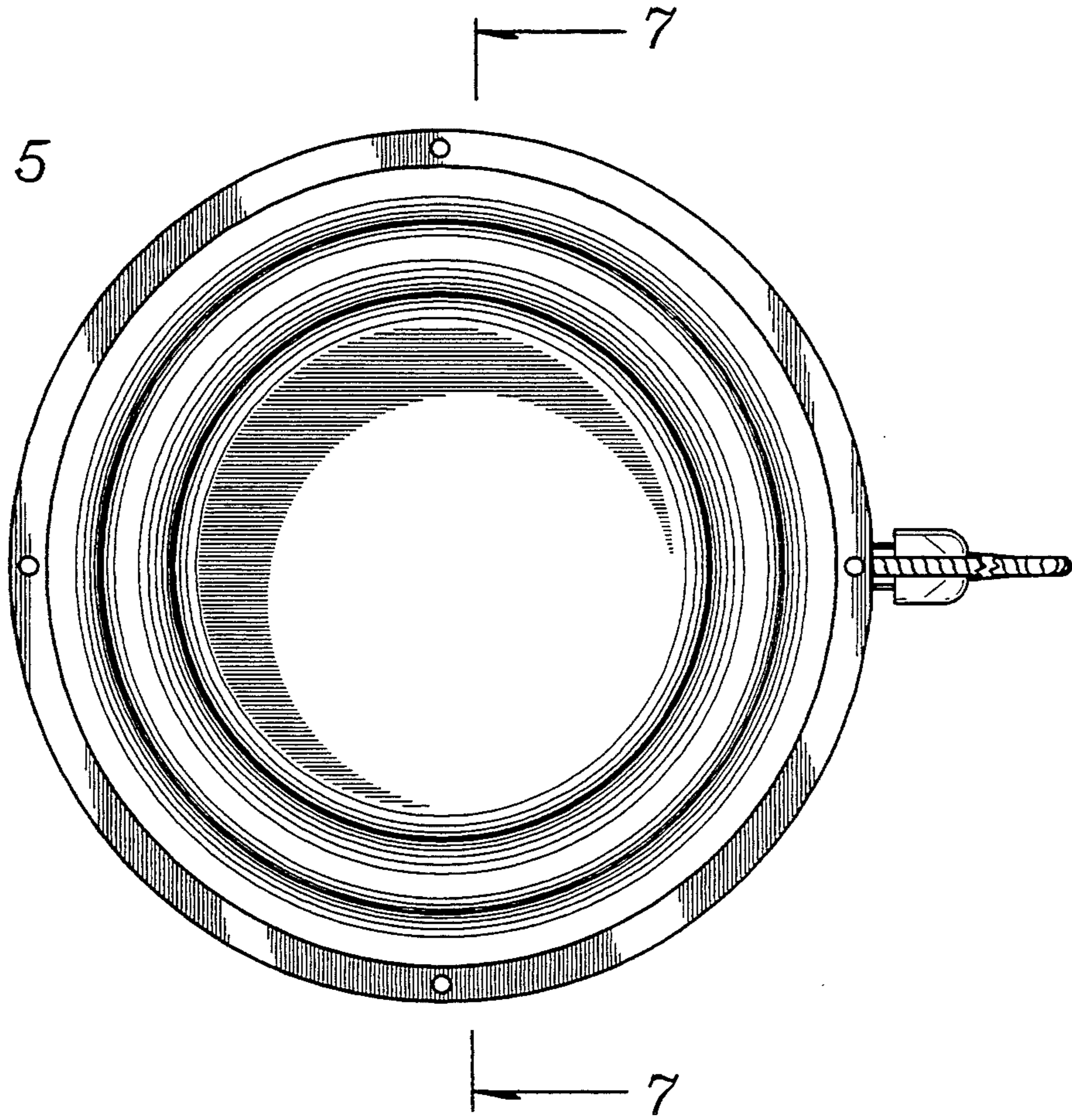


FIG. 6

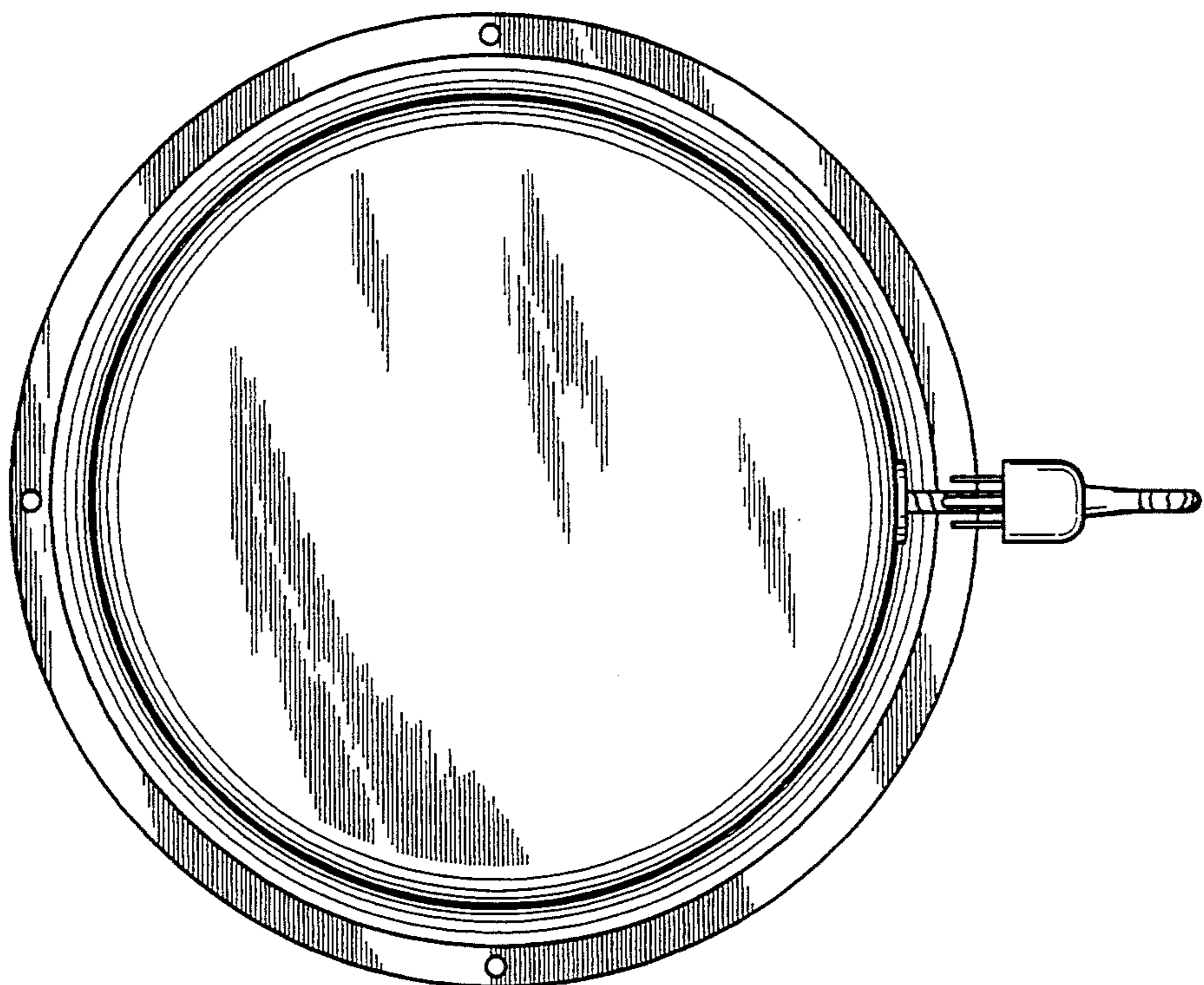


FIG. 7

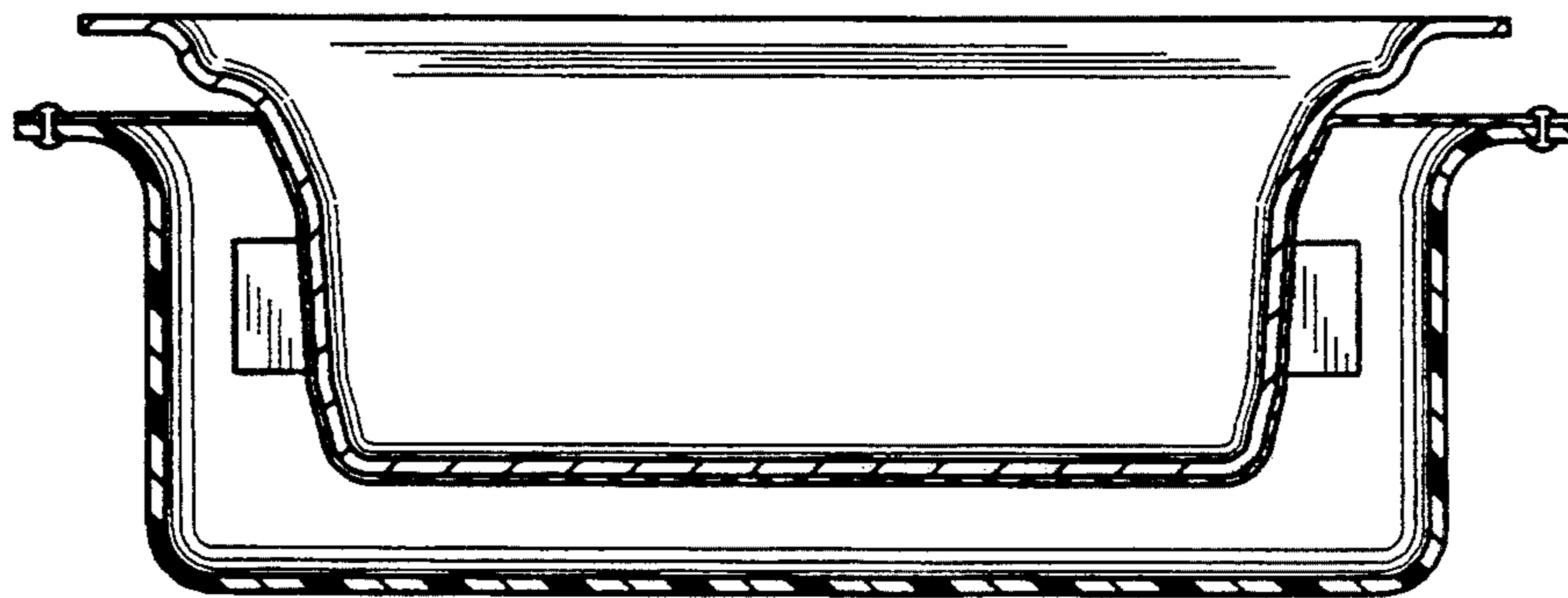


FIG. 8

