



US00D362088S

**United States Patent** [19]  
**Ichikawa**

[11] **Patent Number: Des. 362,088**  
[45] **Date of Patent: \* Sep. 5, 1995**

[54] **AQUARIUM TANK**  
[75] **Inventor: Minoru Ichikawa, Tokyo, Japan**  
[73] **Assignee: Nisso Industry Co., Ltd., Tokyo, Japan**  
[\*] **Notice: The portion of the term of this patent subsequent to Aug. 8, 2009 has been disclaimed.**  
[\*\*] **Term: 14 Years**  
[21] **Appl. No.: 13,021**  
[22] **Filed: Sep. 16, 1993**  
[30] **Foreign Application Priority Data**  
Mar. 16, 1993 [JP] Japan ..... 5-7311  
[52] **U.S. Cl. .... D30/101**  
[58] **Field of Search ..... 119/269, 245, 248, 267, 119/265, 266, 246; D30/101, 104, 106-107; D11/145; 47/69 T**

2150023 4/1973 Germany ..... 119/269  
133847 9/1989 Japan .  
39819 11/1990 Japan .  
1117 3/1993 Rep. of Korea .  
1119 3/1993 Rep. of Korea .  
1125 4/1993 Rep. of Korea .  
1128 5/1993 Rep. of Korea .  
1133 5/1993 Rep. of Korea .  
1140 6/1993 Rep. of Korea .  
193088 10/1992 Taiwan .

**OTHER PUBLICATIONS**

Hagan brochure for Aquariums; Cover photo.  
Rain Forest Aquarium Japanese Brochure; Cover photo.  
Para AT0110 Aqua-Rama System brochure; 950 & 645 Aquariums; back cover photo.

*Primary Examiner*—Cathy Anne MacCormac  
*Attorney, Agent, or Firm*—Oblon, Spivak, McClelland, Maier & Neustadt

[56] **References Cited**  
**U.S. PATENT DOCUMENTS**

D. 158,074 4/1950 Hallick-Smith ..... D30/101  
D. 230,742 3/1974 Rehlaender ..... 119/265  
305,720 9/1884 Sperber ..... 47/69 T  
D. 347,911 6/1994 Tominaga ..... D30/101  
4,078,522 3/1978 Akers ..... 119/266  
4,094,271 6/1978 Louis ..... 119/245  
4,191,129 3/1980 Renny ..... 119/269  
4,889,973 12/1989 Farinacci et al. .... 119/269

**FOREIGN PATENT DOCUMENTS**

988375 5/1976 Canada ..... 119/269  
122175 10/1984 European Pat. Off. .... 119/248  
1045329 11/1953 France ..... 119/266  
1267479 6/1961 France ..... 119/245  
1133175 7/1962 Germany ..... 119/266

[57] **CLAIM**

The ornamental design for an aquarium tank, as shown and described.

**DESCRIPTION**

FIG. 1 is a top and right front perspective view of an aquarium tank, showing my new design;  
FIG. 2 is another perspective view showing the cover in an open position;  
FIG. 3 is a third perspective view showing the cover in another open position;  
FIG. 4 is a left side elevational view thereof;  
FIG. 5 is a front elevational view thereof;  
FIG. 6 is a rear elevational view thereof;  
FIG. 7 is a top plan view thereof; and,  
FIG. 8 is a right side elevational view thereof.  
The bottom is plain and unornamented.

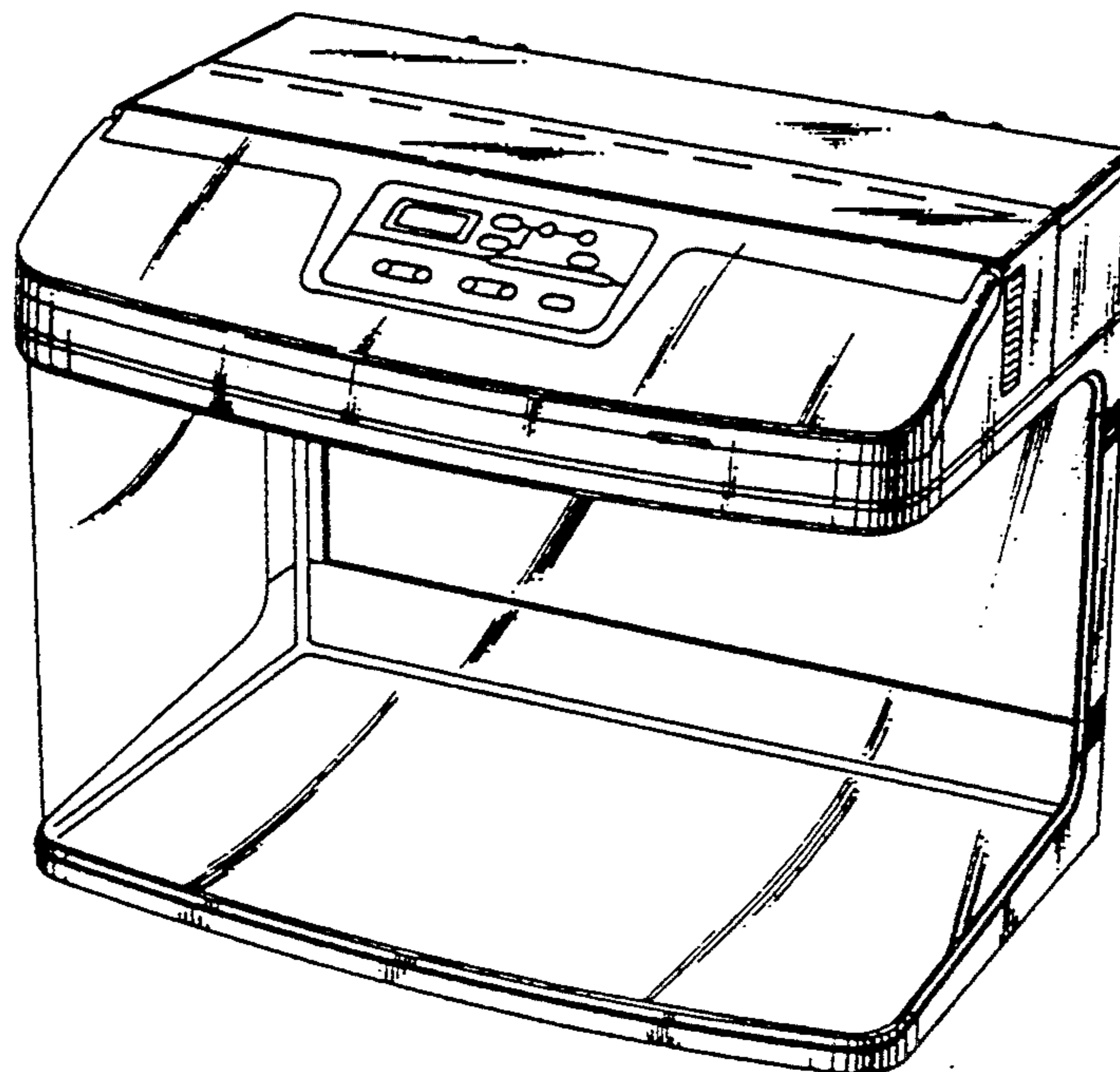


FIG. 1

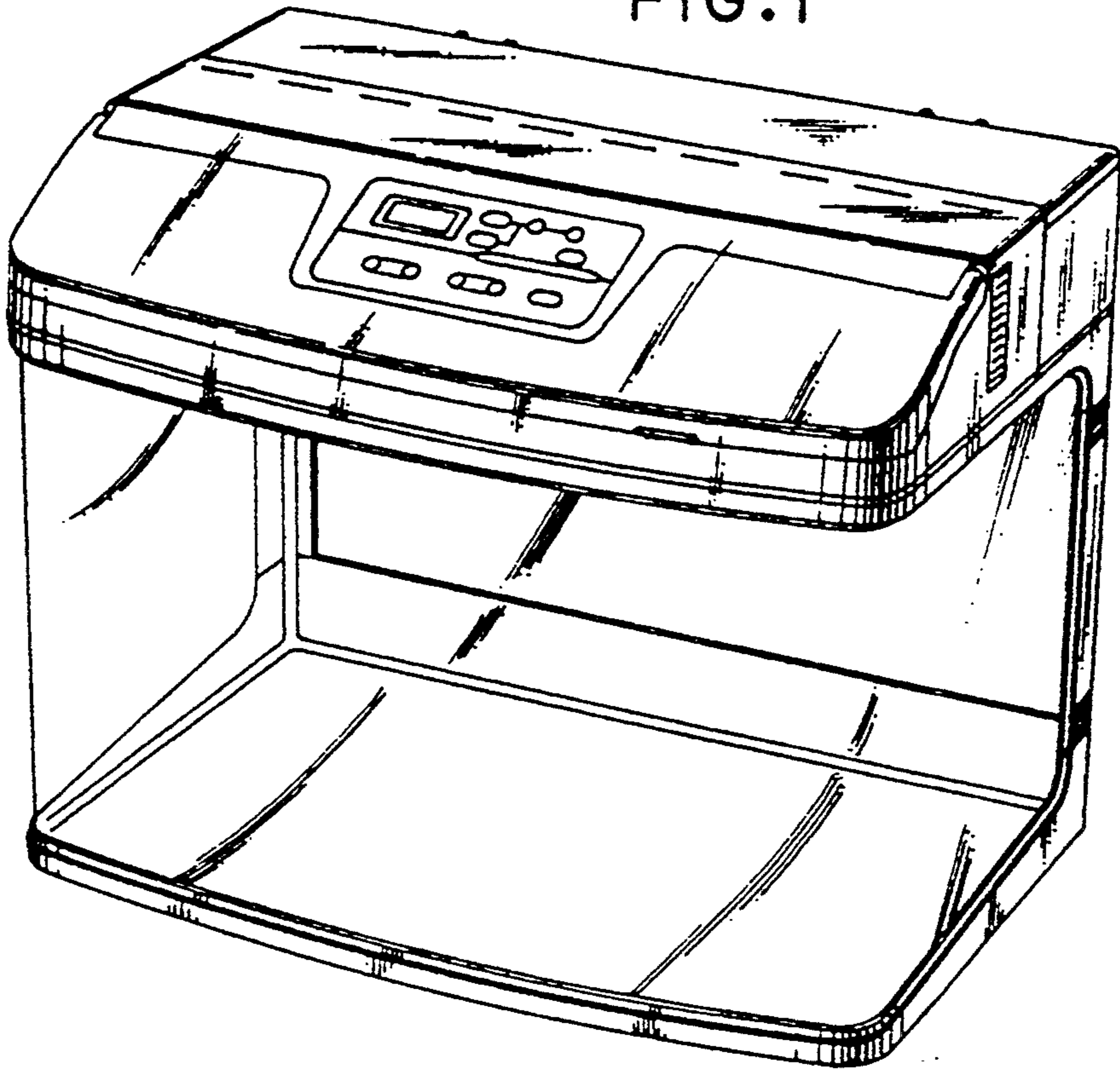


FIG. 2

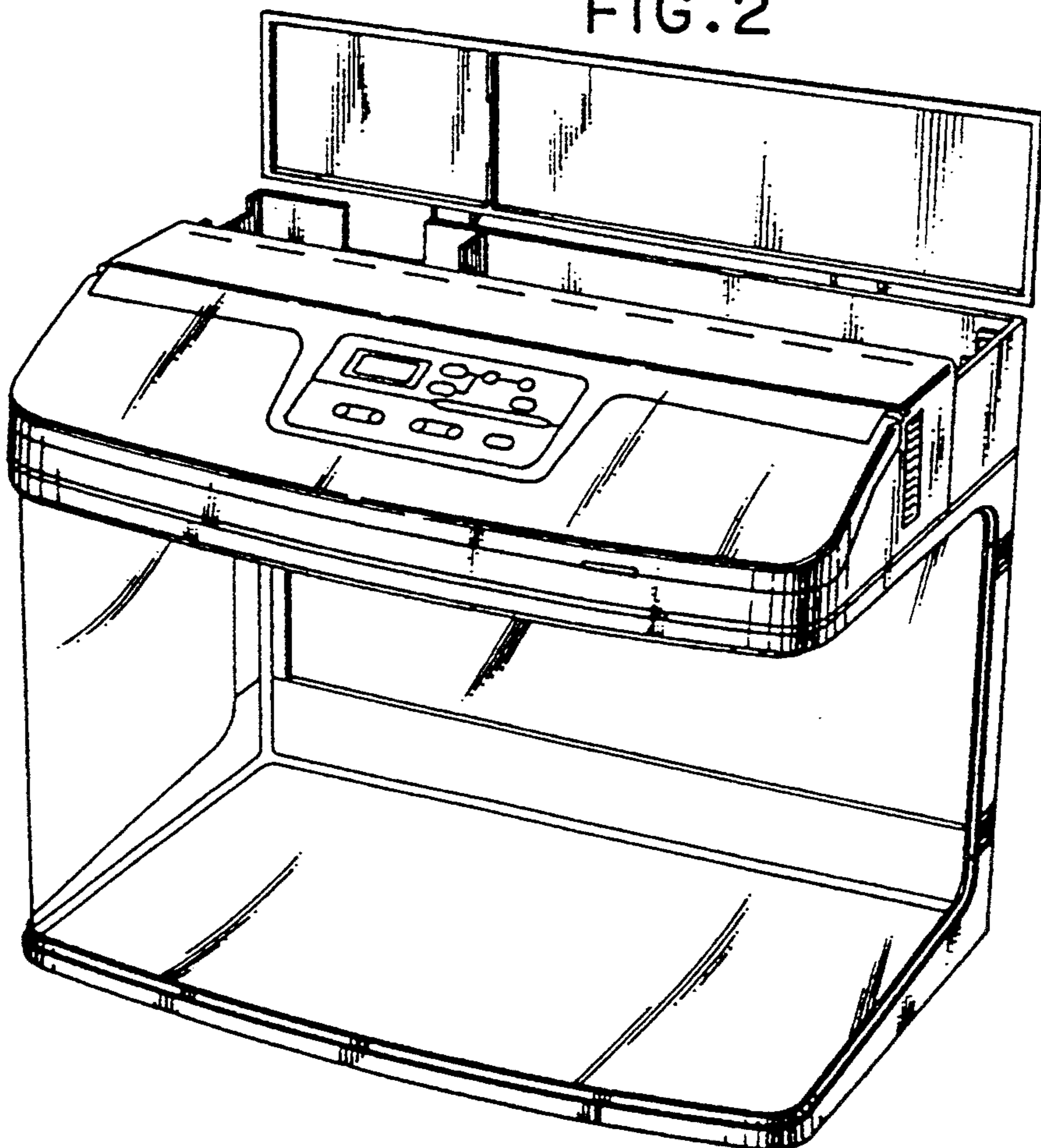


FIG. 3

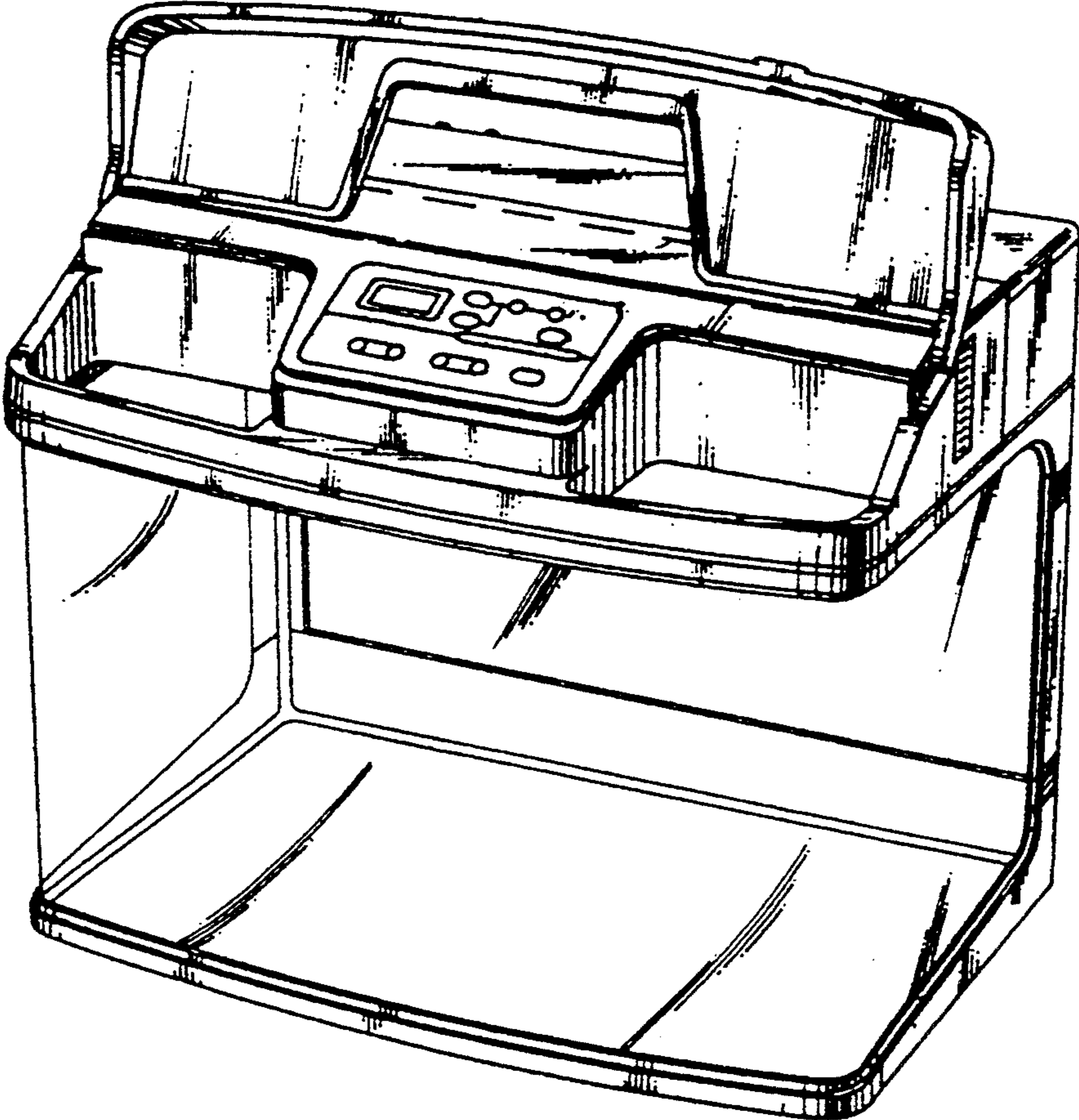


FIG. 4

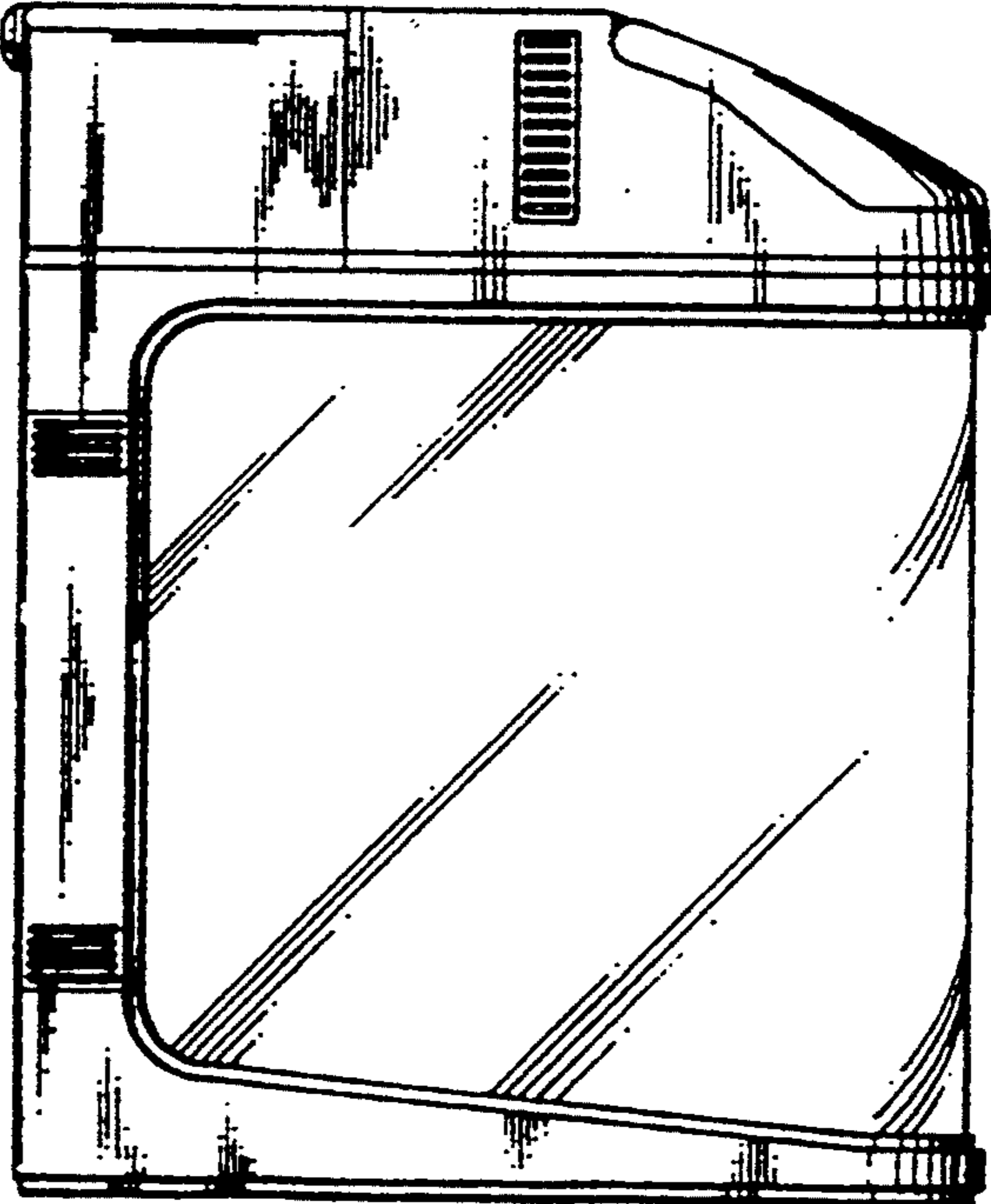


FIG. 5

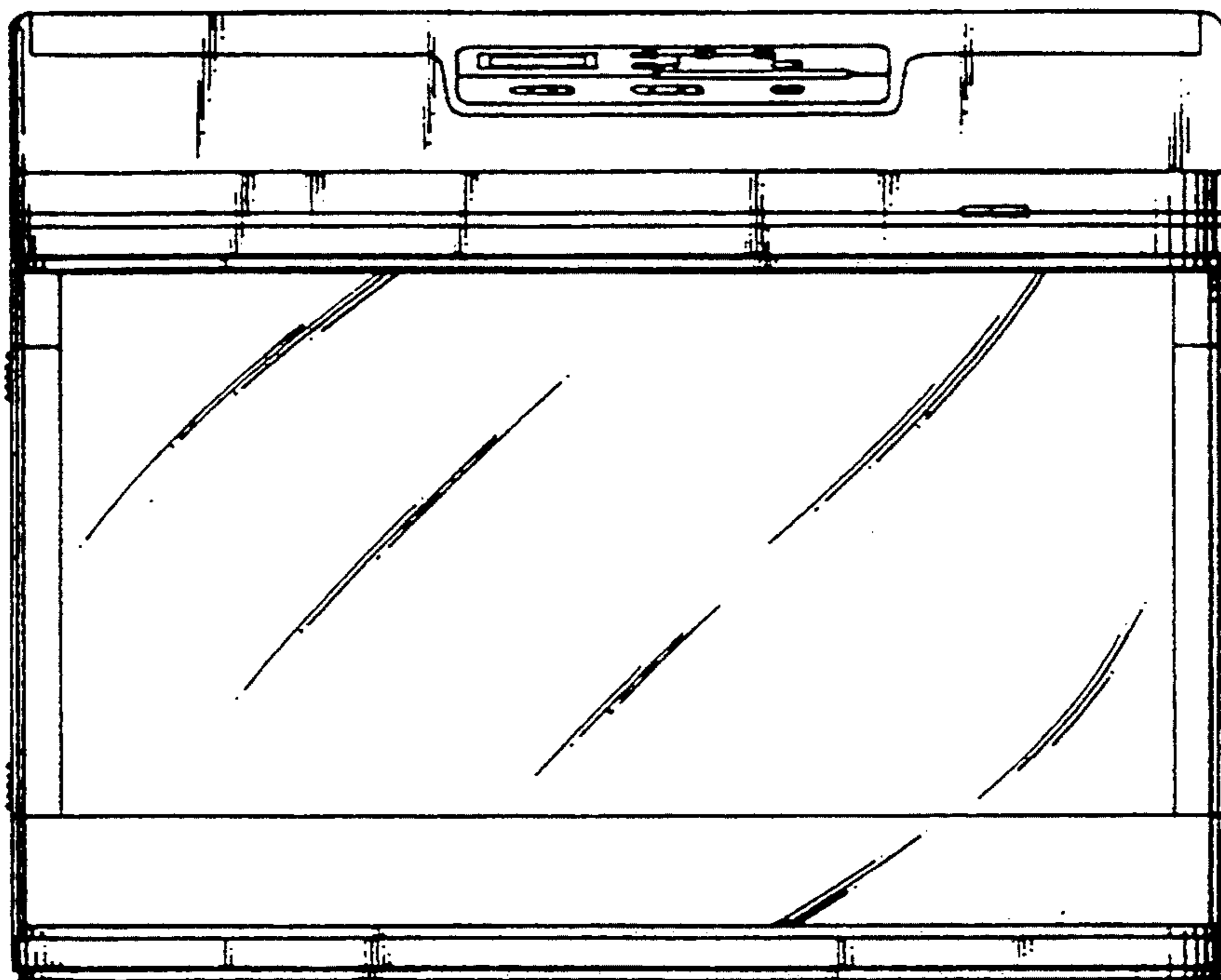


FIG. 6

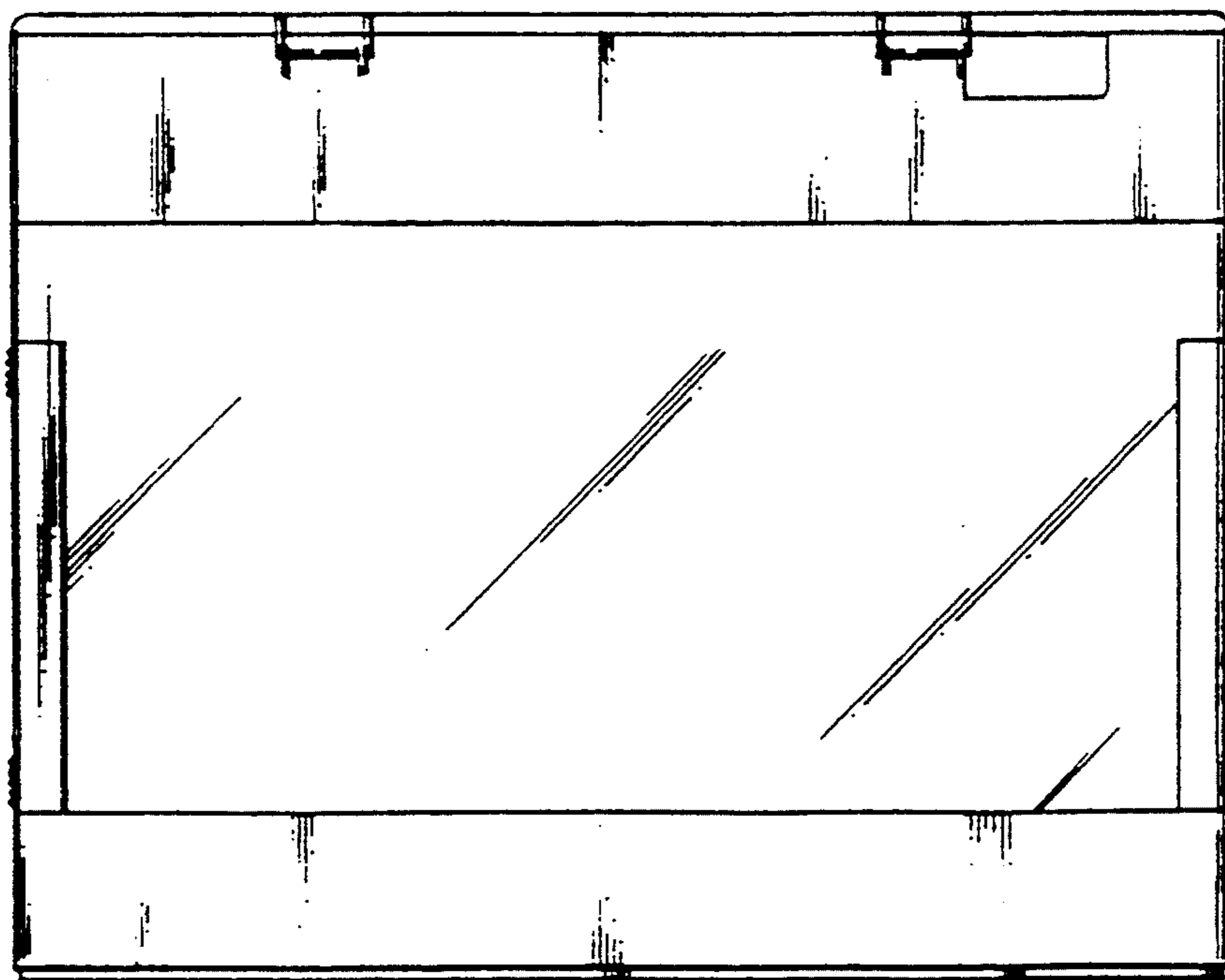


FIG. 7

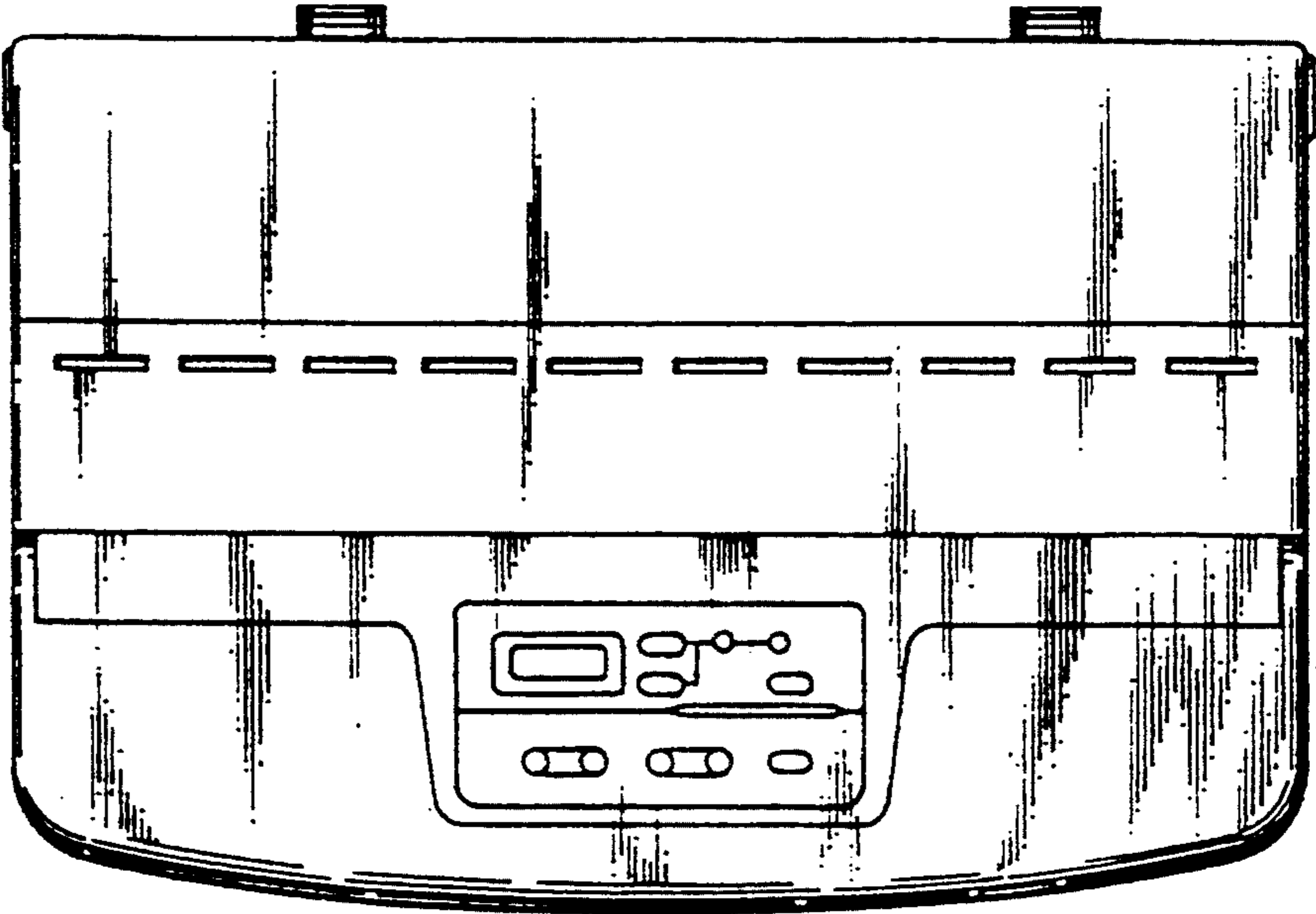


FIG. 8

