



US00D362086S

United States Patent [19]

[11] Patent Number: Des. 362,086

Russell

[45] Date of Patent: ** Sep. 5, 1995

[54] FACE PROTECTOR HAVING PIVOTING SHIELD

[75] Inventor: John P. Russell, Center Point, Ala.

[73] Assignee: Infection Control Products, Inc., Gardendale, Ala.

[**] Term: 14 Years

[21] Appl. No.: 10,885

[22] Filed: Jul. 21, 1993

Related U.S. Application Data

[63] Continuation-in-part of Ser. No. 933,522, Aug. 24, 1992.

[52] U.S. Cl. D29/110

[58] Field of Search D29/108-111, D29/122; 2/2, 9-10, 424-425, 427, 206, 15, 418, 422

[56] References Cited

U.S. PATENT DOCUMENTS

D. 349,177	7/1994	Russell	D29/110
D. 349,178	7/1994	Russell	D29/110
5,337,419	8/1994	Russell	2/206

Primary Examiner—Ruth McInroy
Attorney, Agent, or Firm—George A. Bode

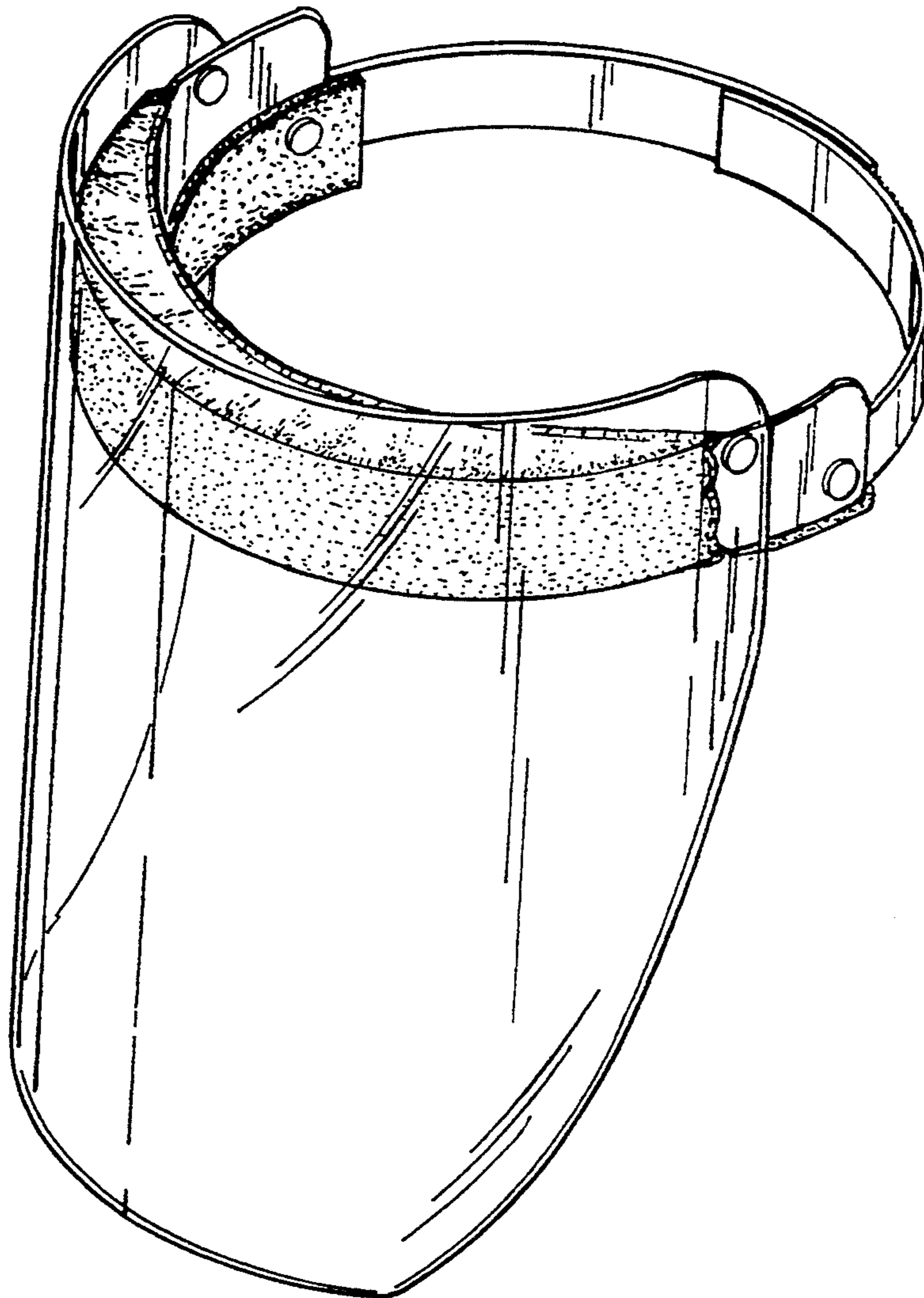
[57] CLAIM

The ornamental design for a face protector having pivoting shield, as shown and described.

DESCRIPTION

FIG. 1 is a top plan view of a face protector having pivoting shield showing my new design; FIG. 2 is a right side elevational view thereof; FIG. 3 is a front elevational view thereof; FIG. 4 is a bottom plan view thereof; FIG. 5 is a left side elevational view thereof; FIG. 6 is a rear elevational view thereof; FIG. 7 is a top frontal perspective view thereof; and, FIG. 8 is an exploded top frontal perspective view thereof.

The head shown in broken lines in FIGS 2 and 5 is shown for illustrative purposes only and forms no part of the claimed design.



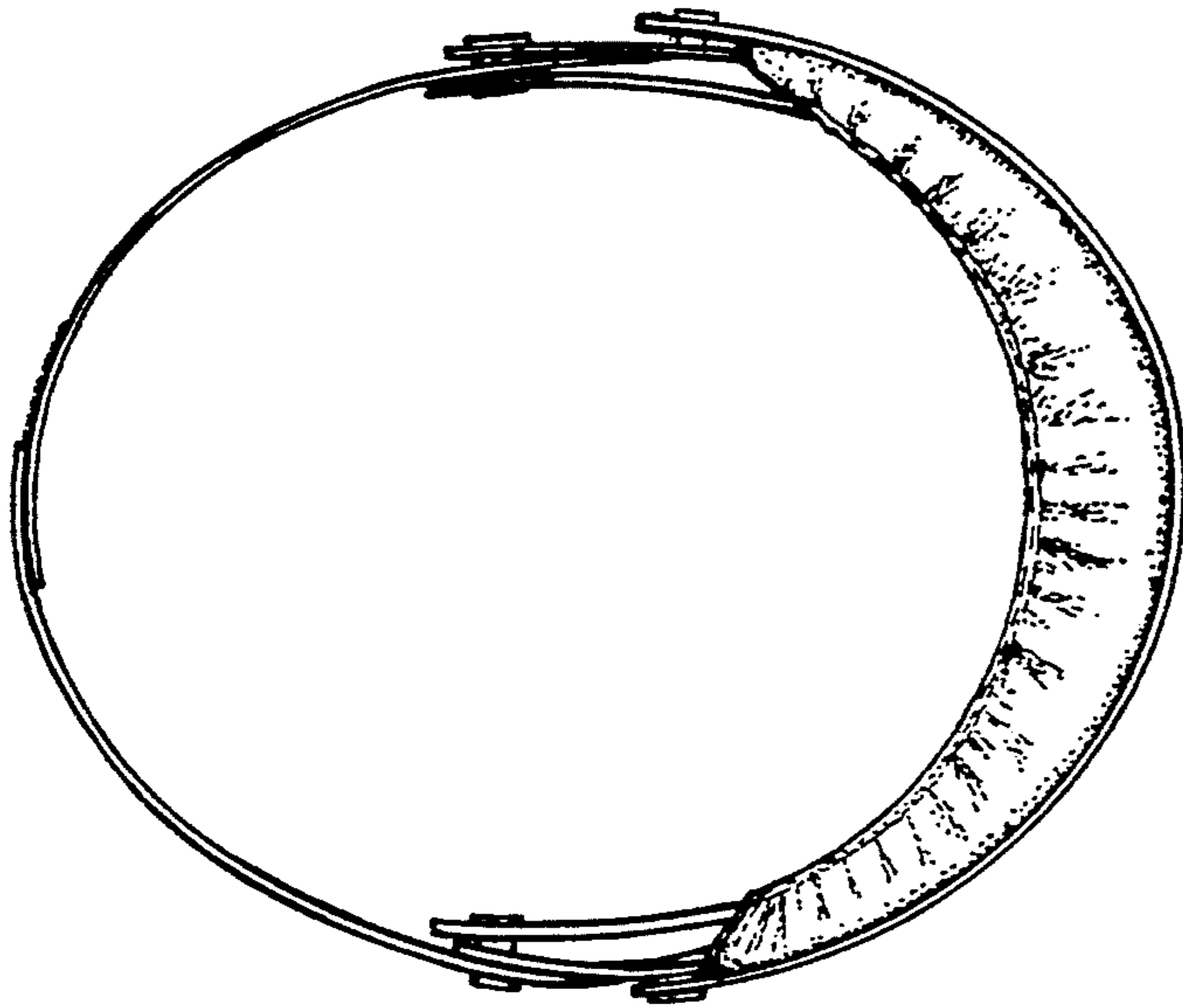


FIG. 1

FIG. 2

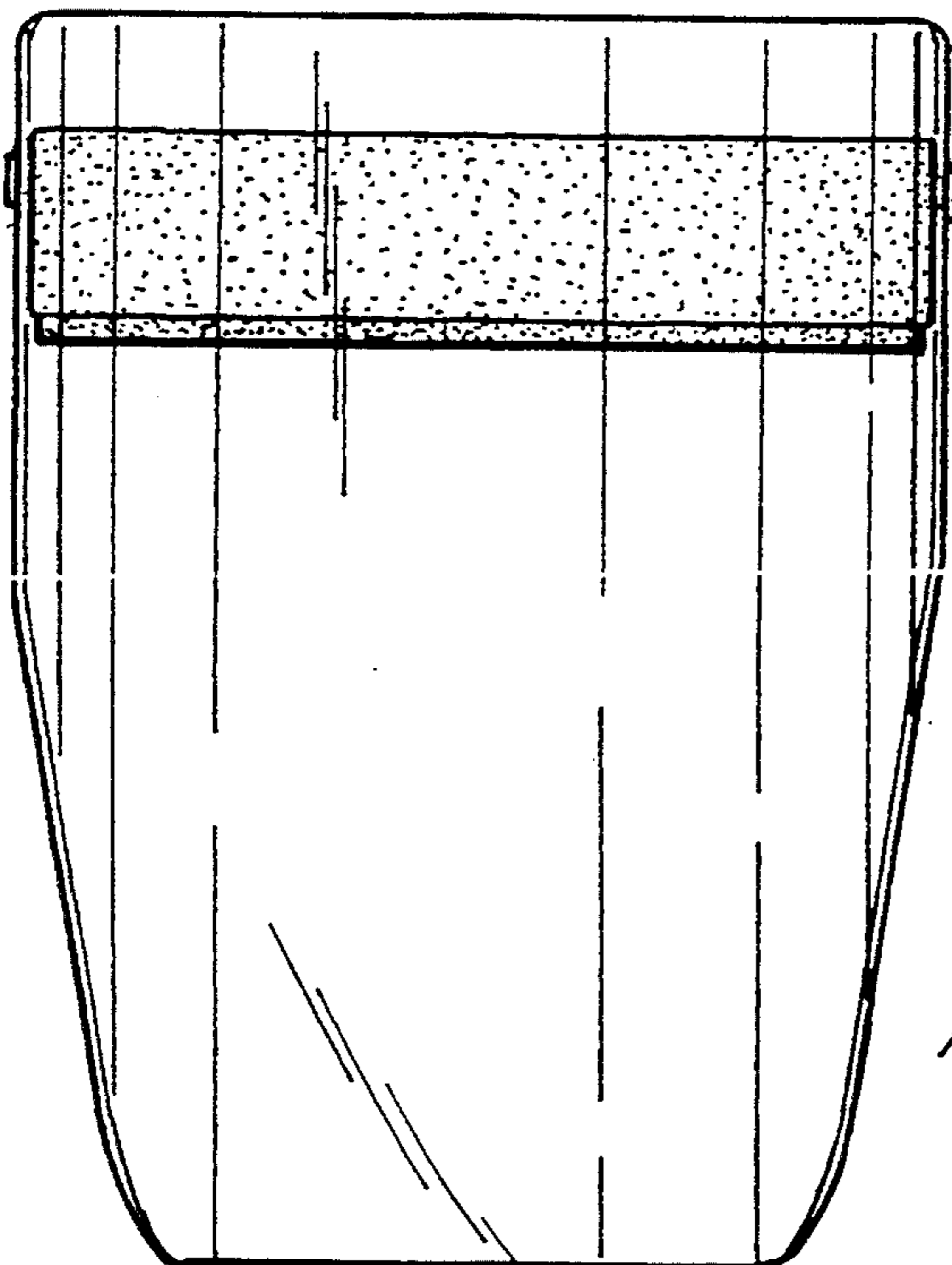
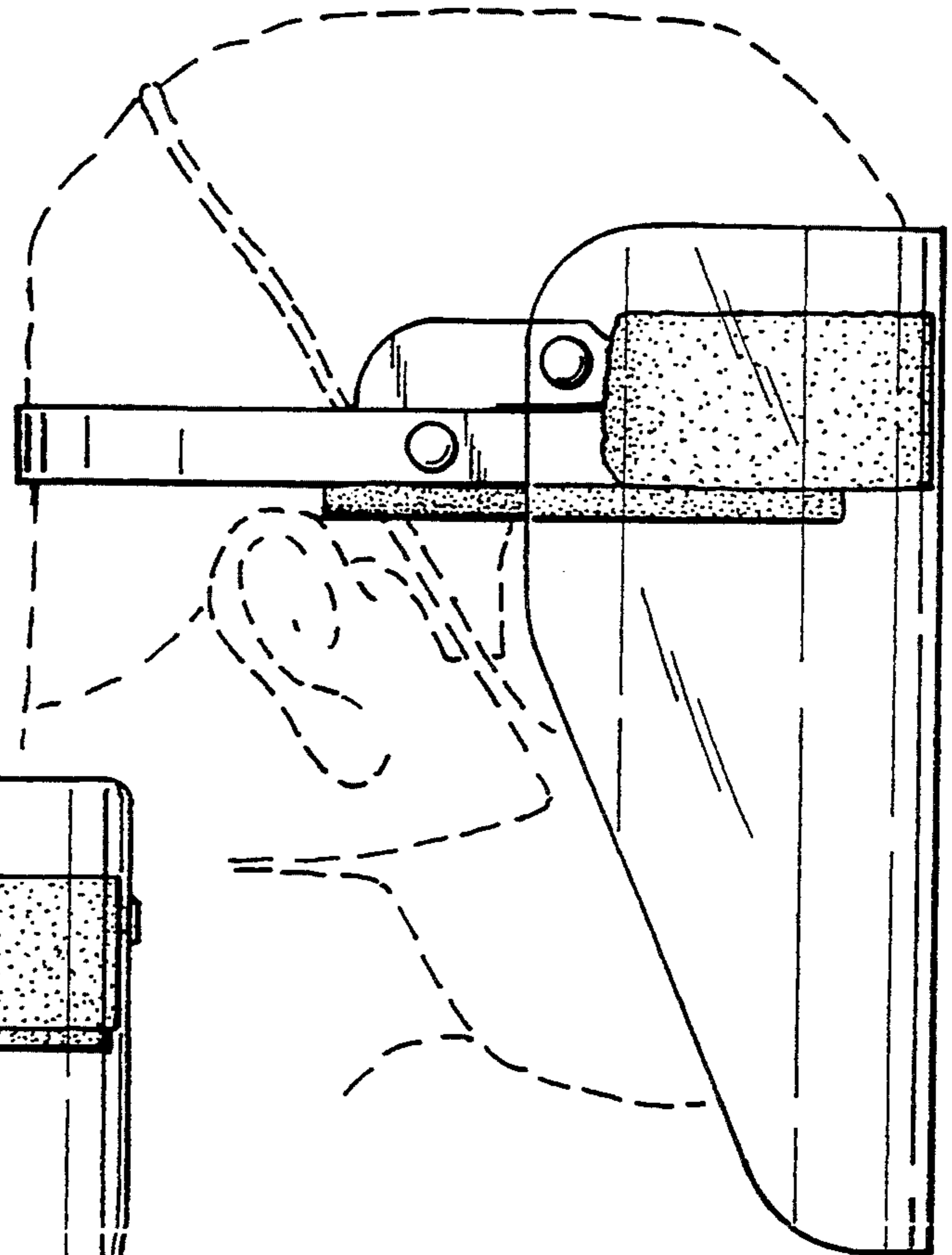


FIG. 3

FIG. 4

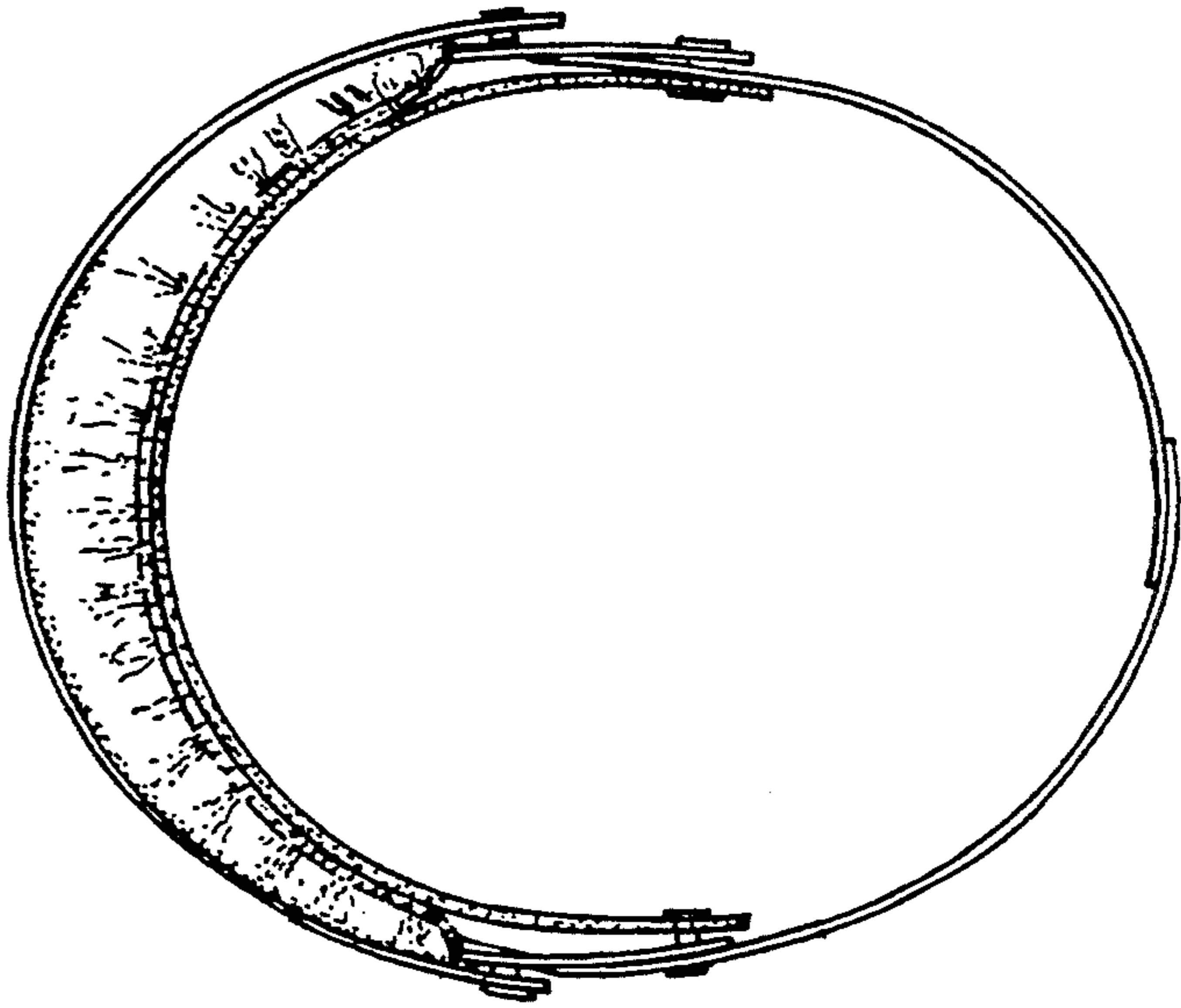


FIG. 5

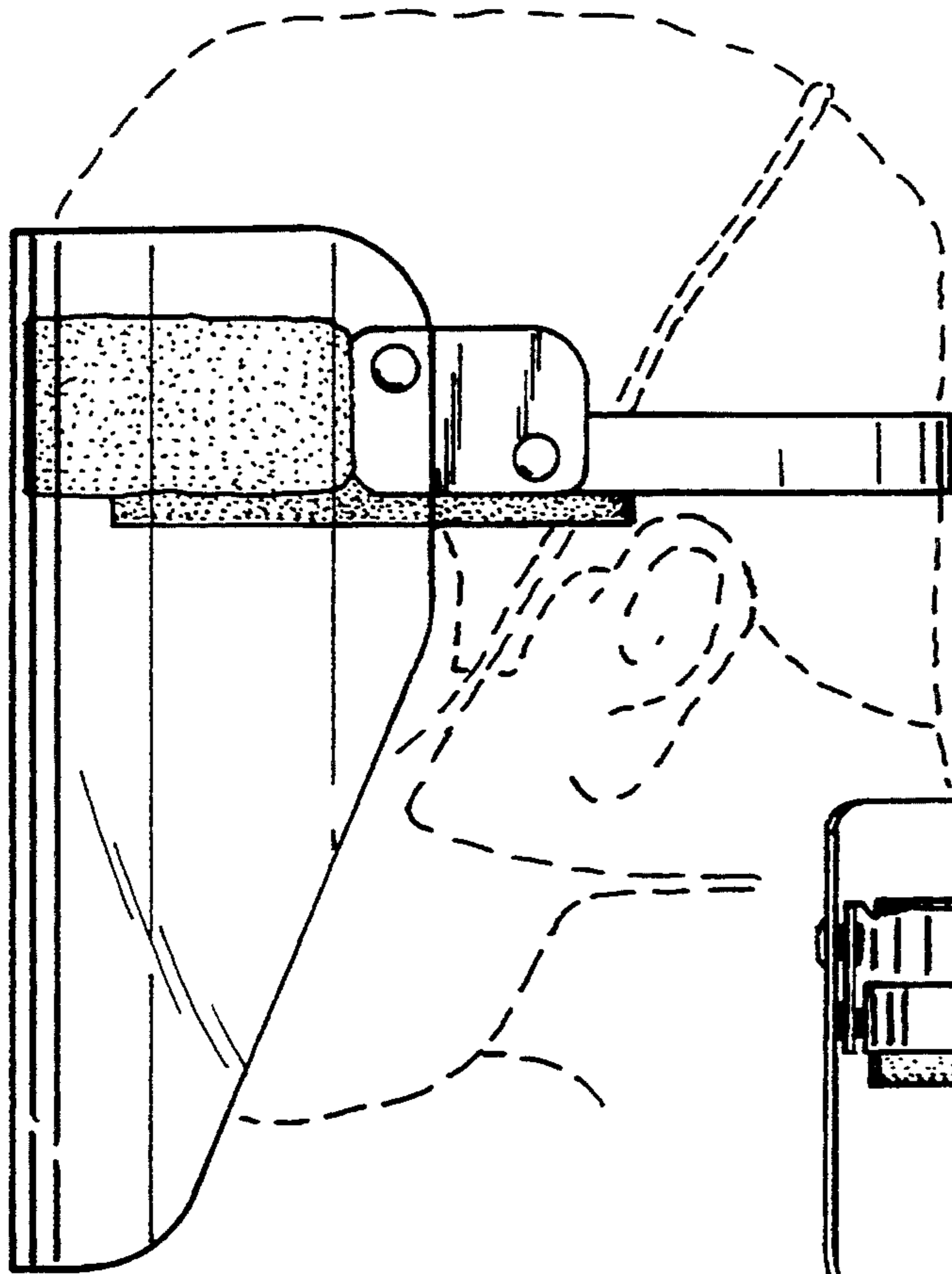
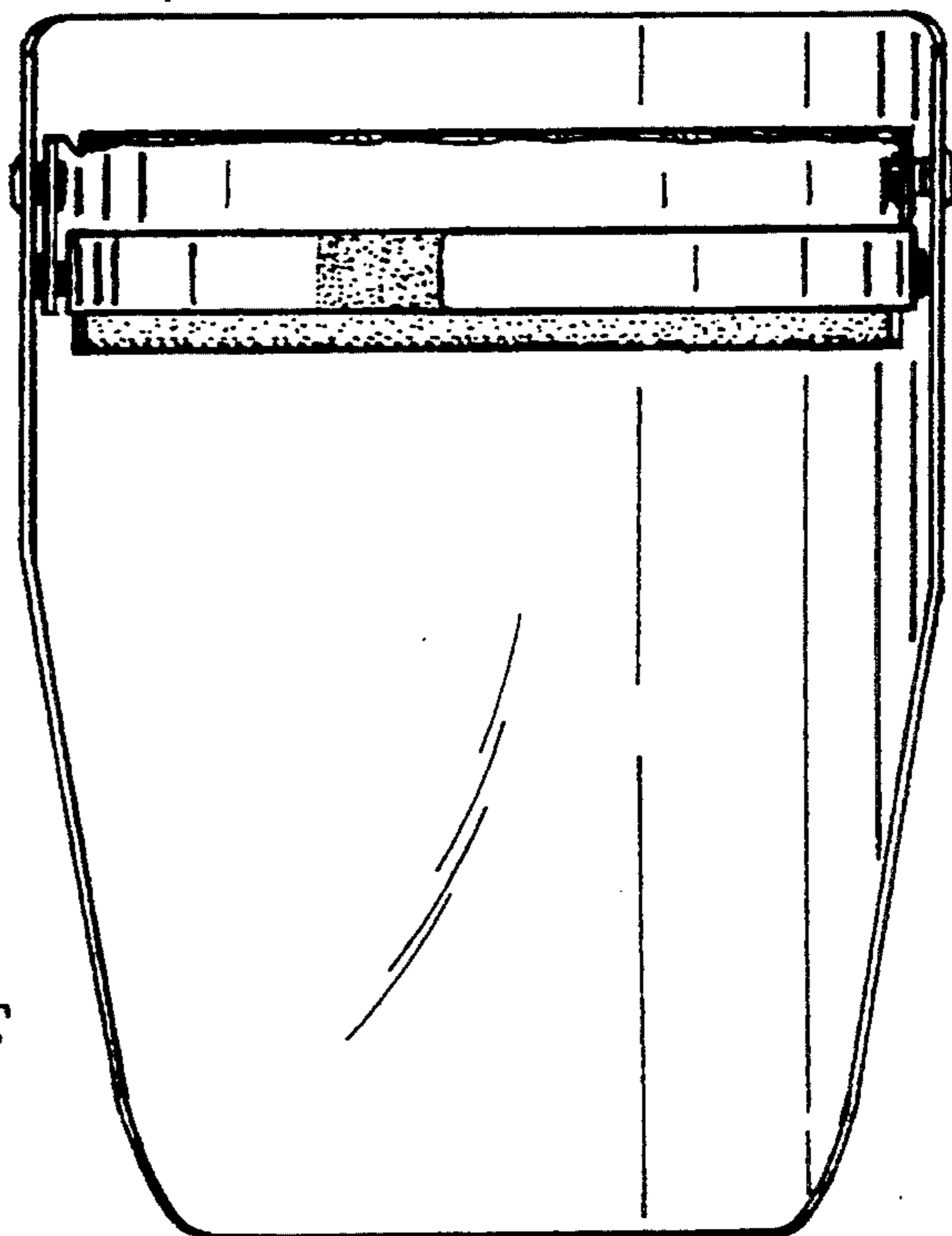


FIG. 6



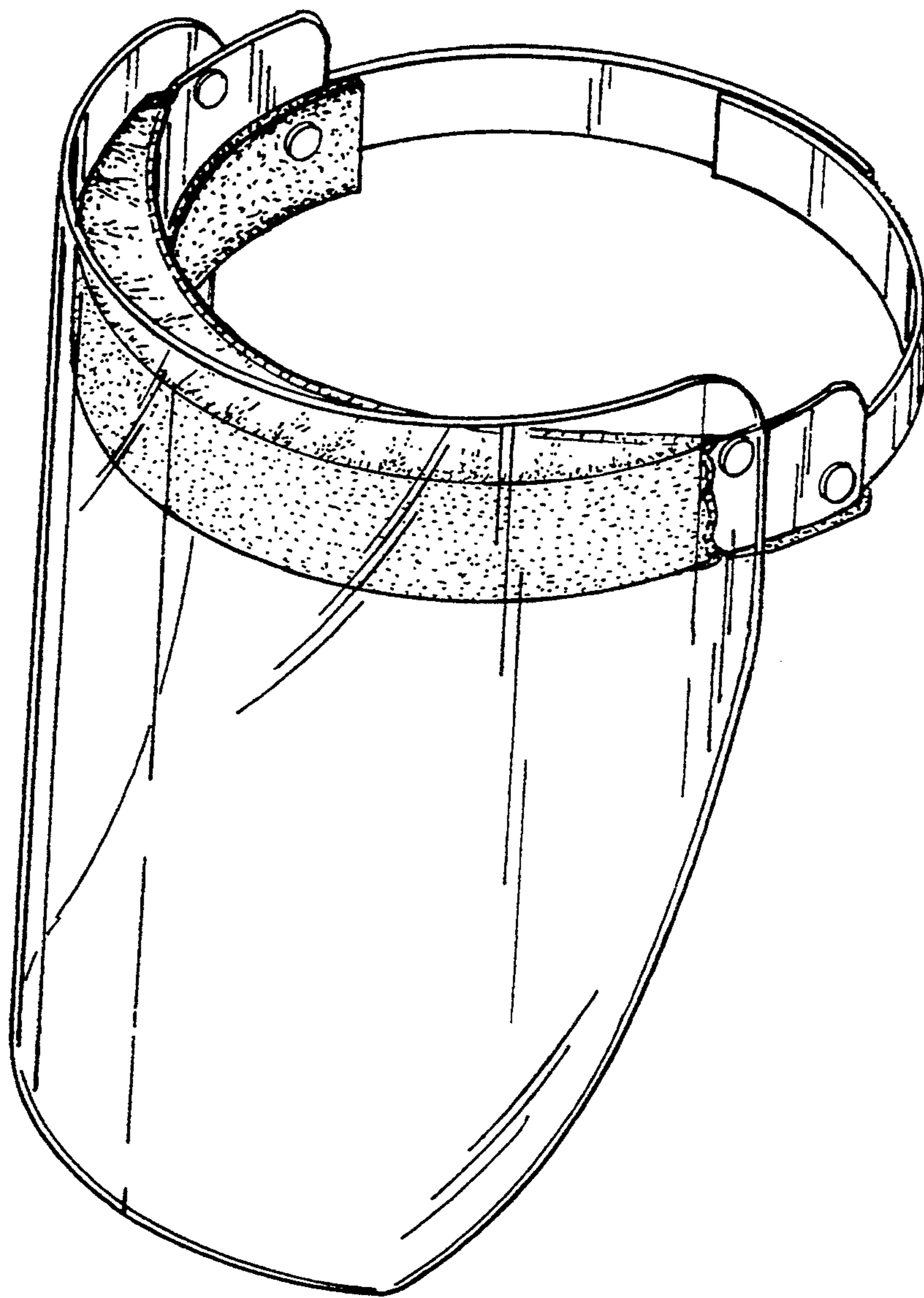


FIG. 7

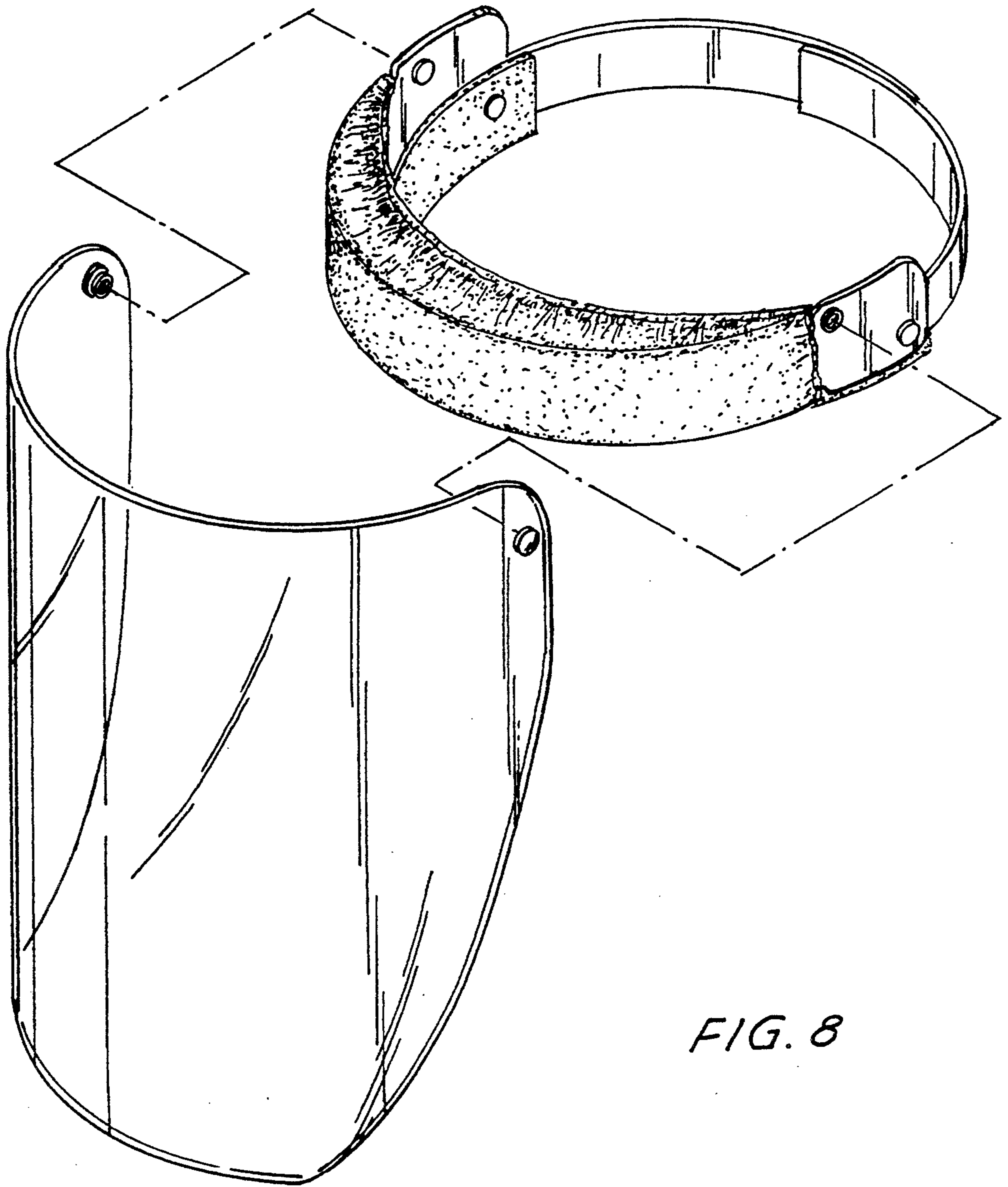


FIG. 8