



US00D362083S

United States Patent [19]

[11] Patent Number: **Des. 362,083**

Havens

[45] Date of Patent: **** Sep. 5, 1995**

[54] **SQUARE ASHTRAY**

3,507,445	4/1970	Breslow	131/242 X
4,060,092	11/1977	Pappas	131/236
5,289,832	3/1994	Funcell et al.	131/241

[75] Inventor: **W. Clair Havens**, 1157 SW. 10th Ave., Ontario, Oreg. 97914

[73] Assignees: **W. Clair Havens; Earl Cheatham**, both of Ontario, Oreg.

[**] Term: **14 Years**

Primary Examiner—Louis S. Zarfes
Assistant Examiner—Monica A. Hannon
Attorney, Agent, or Firm—Ken J. Pedersen; Barbara S. Pedersen

[21] Appl. No.: **26,484**

[57] **CLAIM**

[22] Filed: **Jul. 29, 1994**

The ornamental design for a square ashtray, as shown and described.

[52] U.S. Cl. **D27/102; D27/135**

DESCRIPTION

[58] **Field of Search** D27/102-112, D27/117, 118, 125, 126, 127, 131-135, 137; 131/231, 238, 240.1, 241, 242; D9/341, 432

FIG. 1 is a top perspective view of my square ashtray design, viewed from a position toward the back side of the square ashtray;

[56] **References Cited**

U.S. PATENT DOCUMENTS

D. 150,159	7/1948	Reynolds	D27/133
D. 151,671	11/1948	Armus	131/140.1 X
D. 249,564	9/1978	Sackett et al.	D27/127 X

FIG. 2 is a front side view of my design;

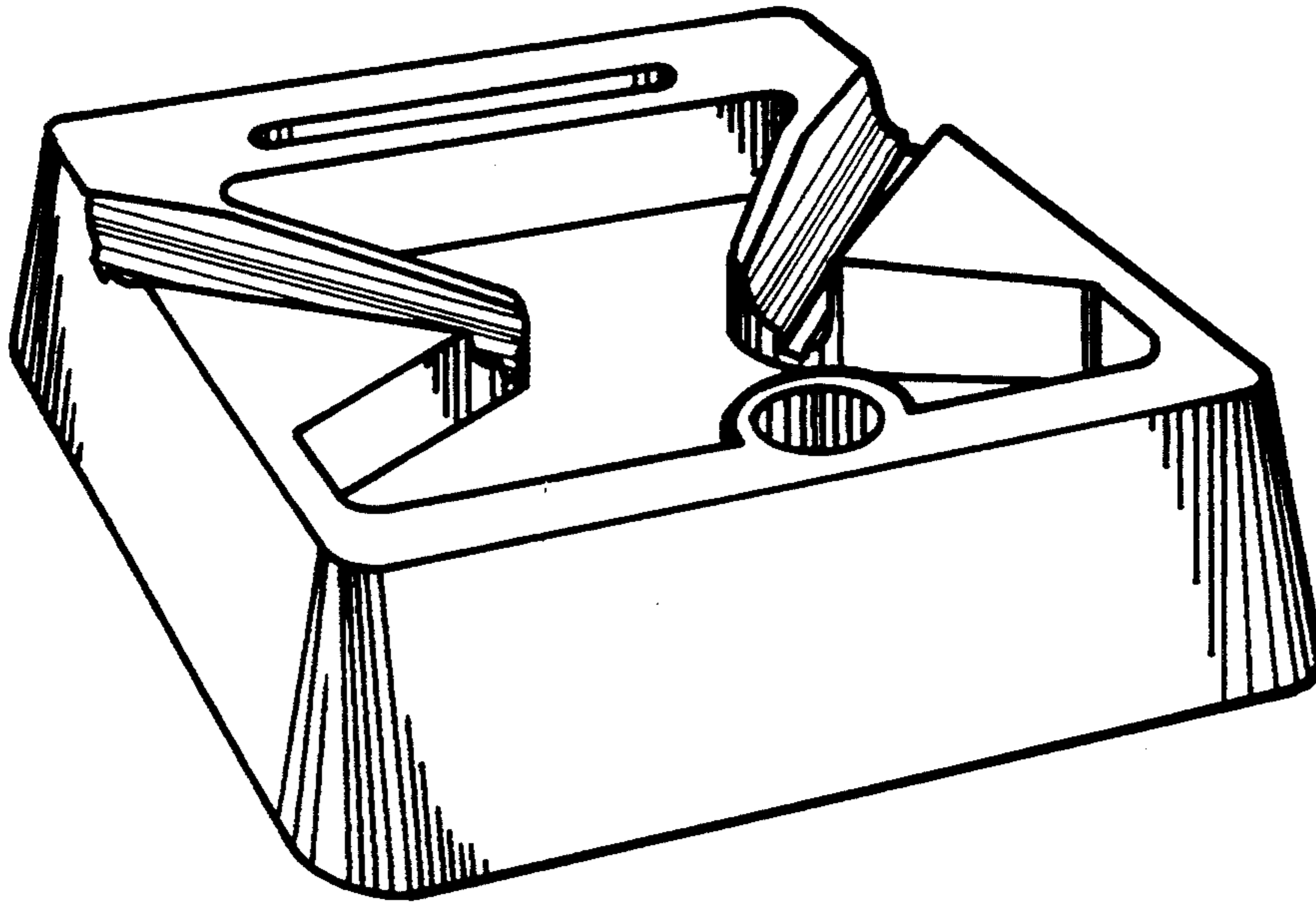
FIG. 3 is a top view of my design;

FIG. 4 is a back side view of my design;

FIG. 5 is a bottom view of my design;

FIG. 6 is a right side view of my design; and,

FIG. 7 is a left side view of my design.



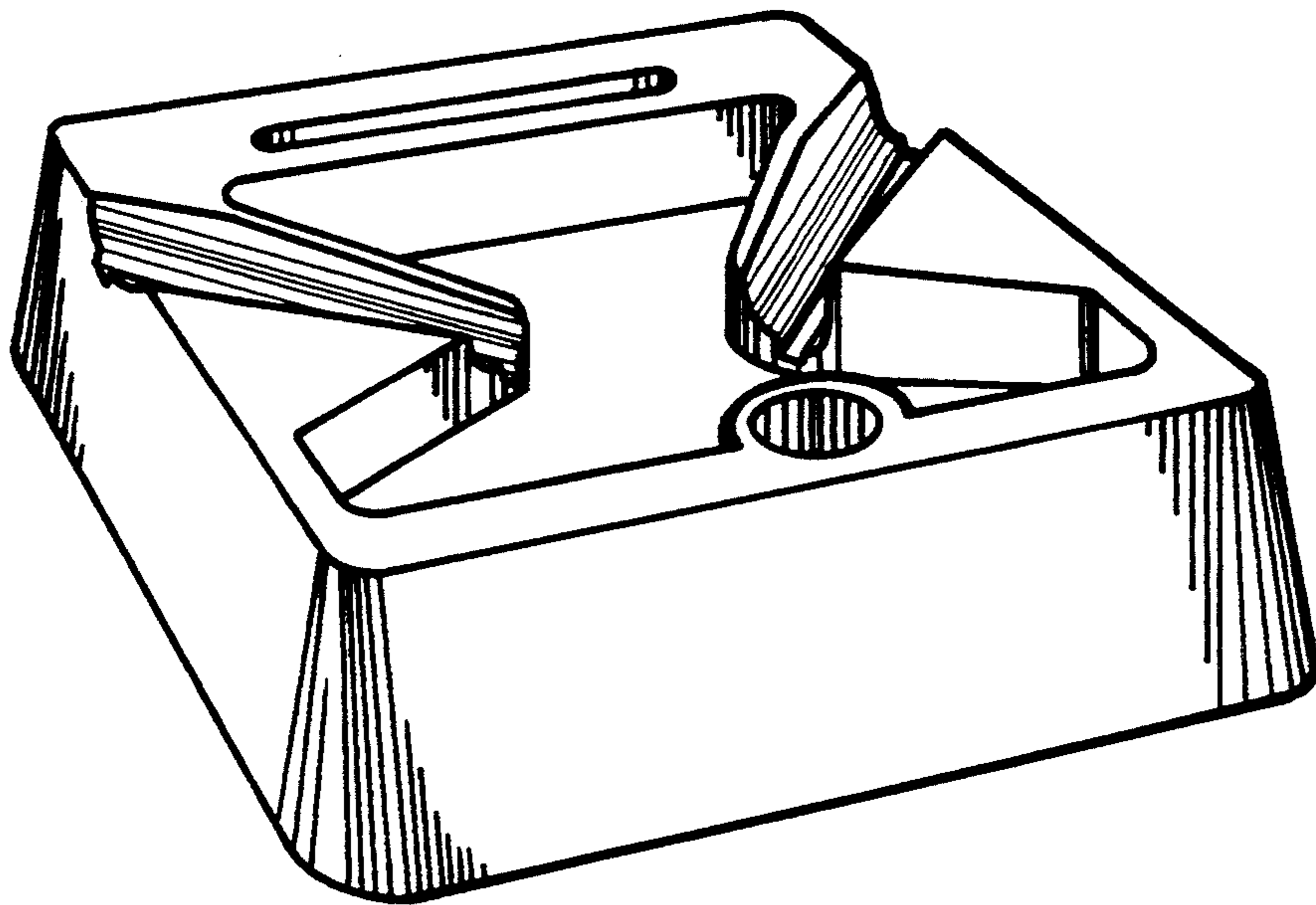


FIG. 1

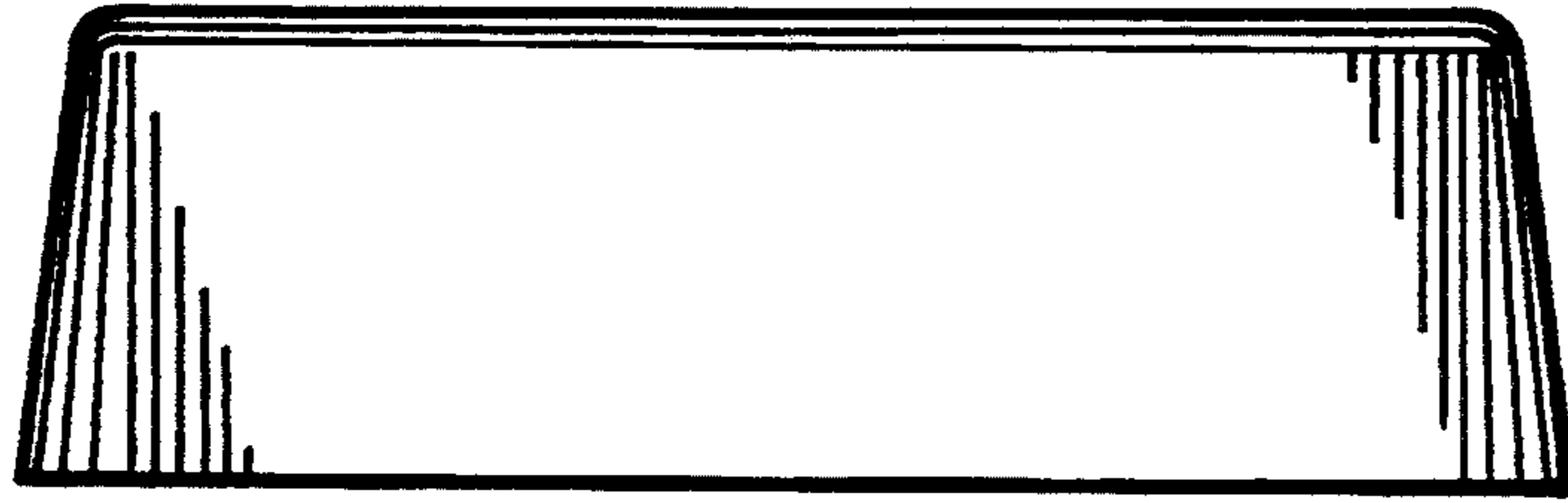


FIG. 2

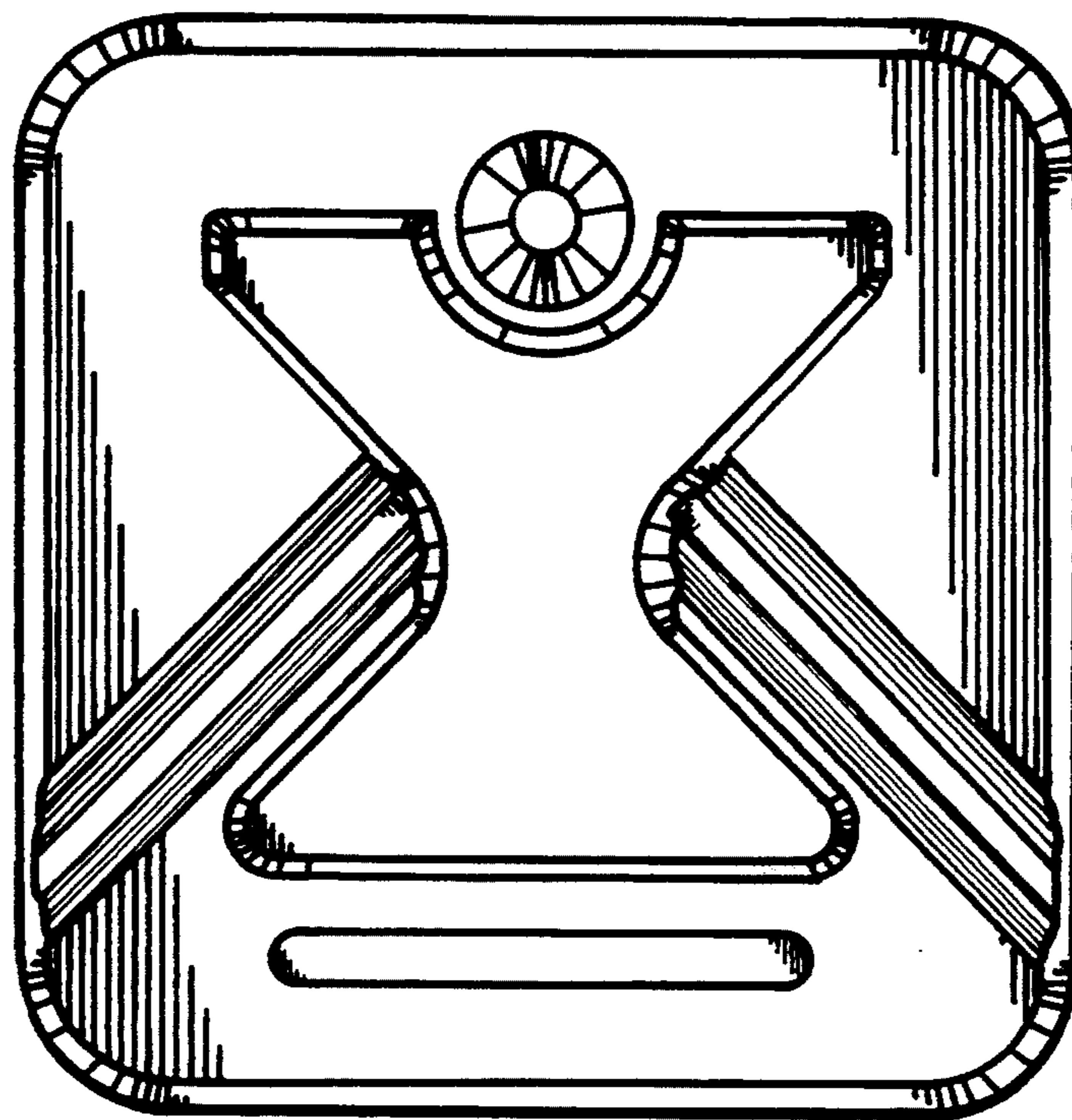


FIG. 3

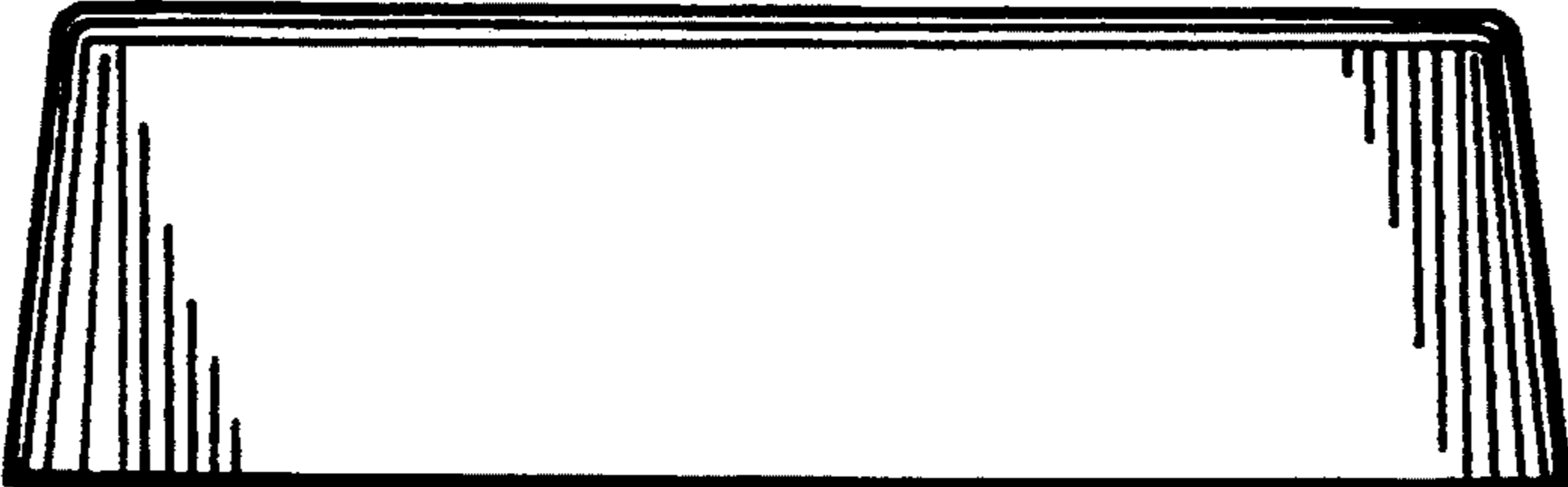


FIG. 4

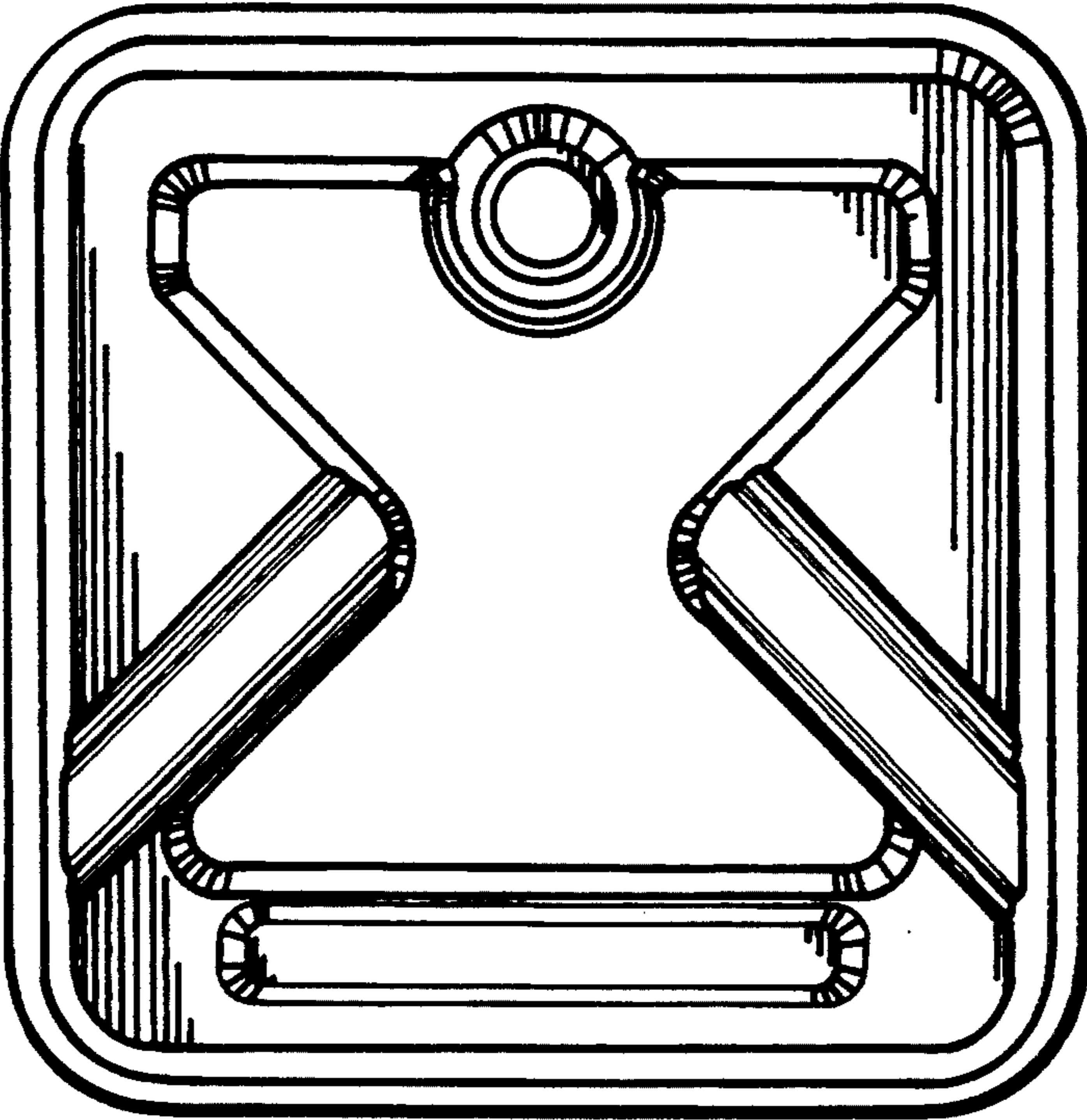


FIG. 5

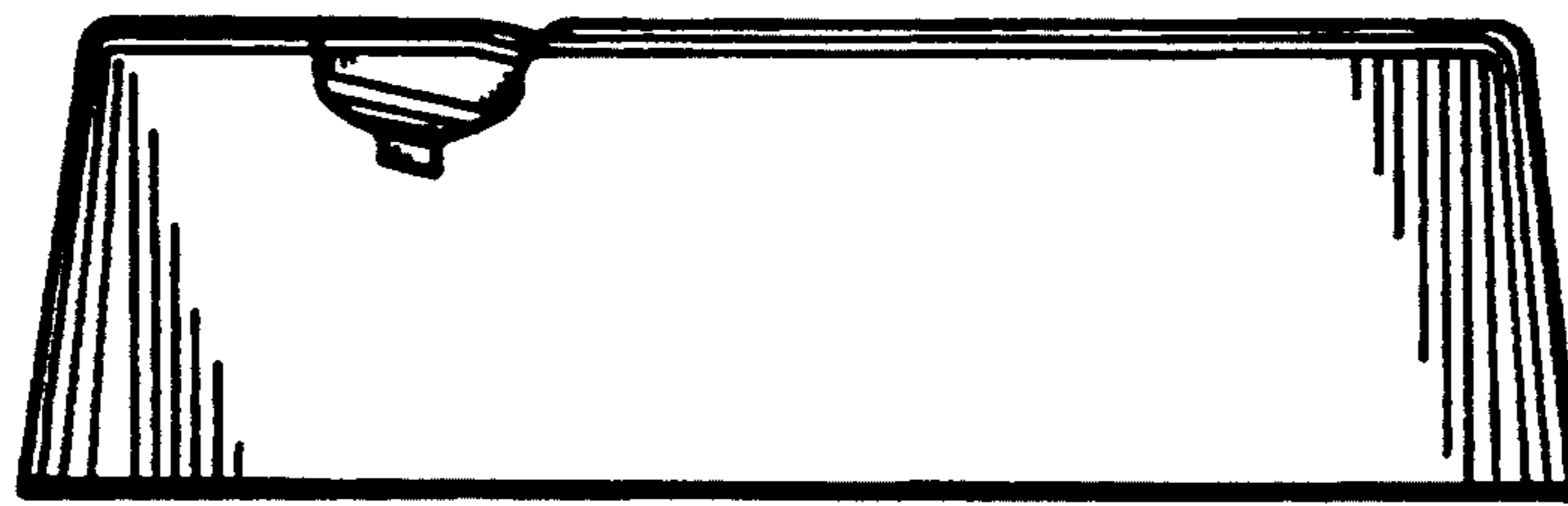


FIG. 6

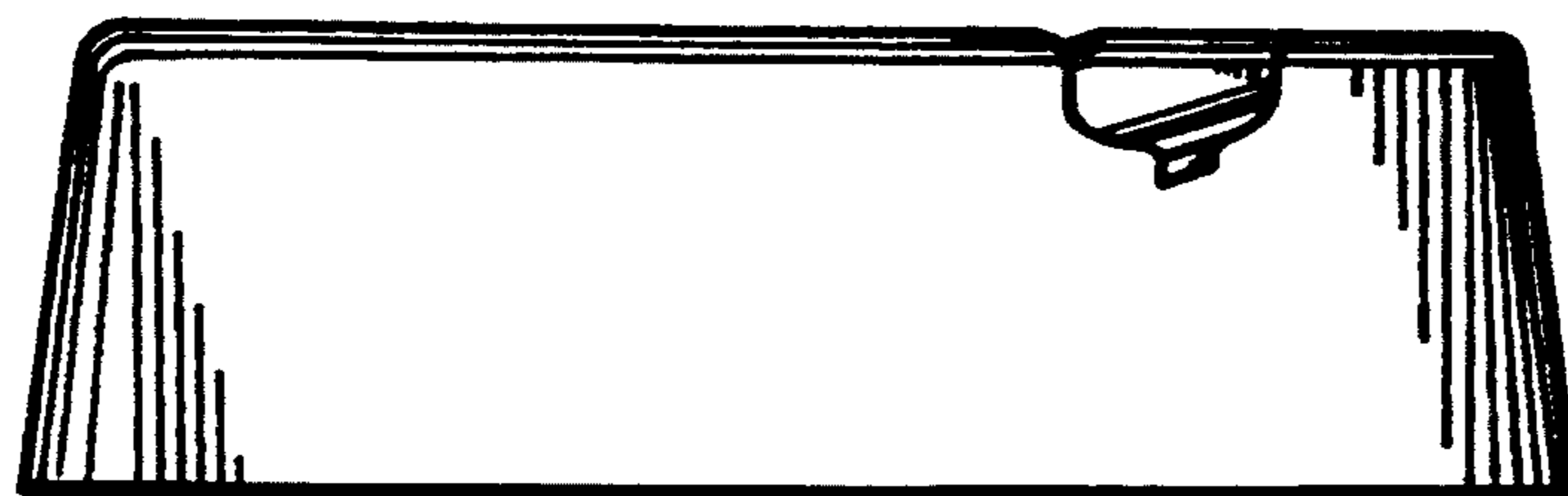


FIG. 7