



US00D362080S

United States Patent [19]

[11] Patent Number: **Des. 362,080**

Lehrer et al.

[45] Date of Patent: **** Sep. 5, 1995**

[54] **HEAD LAMP**

[76] Inventors: **Robert A. Lehrer**, 7413 McCool Ave., Los Angeles, Calif. 90045-1233; **Kenneth A. Tarlow**, 94 Birch Ave., Corte Madera, Calif. 94925

4,916,596	4/1990	Sharrah et al.	362/190
4,970,631	11/1990	Marshall	362/105
5,034,862	7/1991	Liston	362/105
5,053,932	10/1991	Case	362/105
5,117,510	6/1992	Broussard et al.	2/209.2

[**] Term: **14 Years**

Primary Examiner—Susan J. Lucas
Attorney, Agent, or Firm—Poms, Smith, Lande & Rose; Professional Corporation

[21] Appl. No.: **28,147**

[57] **CLAIM**

The ornamental design for a head lamp, as shown and described.

[22] Filed: **Sep. 8, 1994**

DESCRIPTION

[52] U.S. Cl. **D26/39**

FIG. 1 is a perspective view of a head lamp showing our new design;

[58] Field of Search **D26/37-50;**

FIG. 2 is a side elevational view of the head lamp of FIG. 1;

362/157, 158, 183, 184, 187-191, 194-200, 202, 103, 105

FIG. 3 is a side elevational view, opposite the side view in FIG. 2, of the head lamp of FIG. 1;

[56] **References Cited**

U.S. PATENT DOCUMENTS

2,234,995	3/1941	Waechter	D26/39 X
3,112,889	12/1963	Marmo et al.	D26/39 X
3,912,919	10/1975	Eriksson	362/105
4,462,064	7/1984	Schweitzer	362/105
4,631,644	12/1986	Dannhauer	362/105
4,718,126	1/1988	Slay	2/175
4,794,496	12/1988	Lanes et al.	362/105
4,797,793	1/1989	Fields	362/105

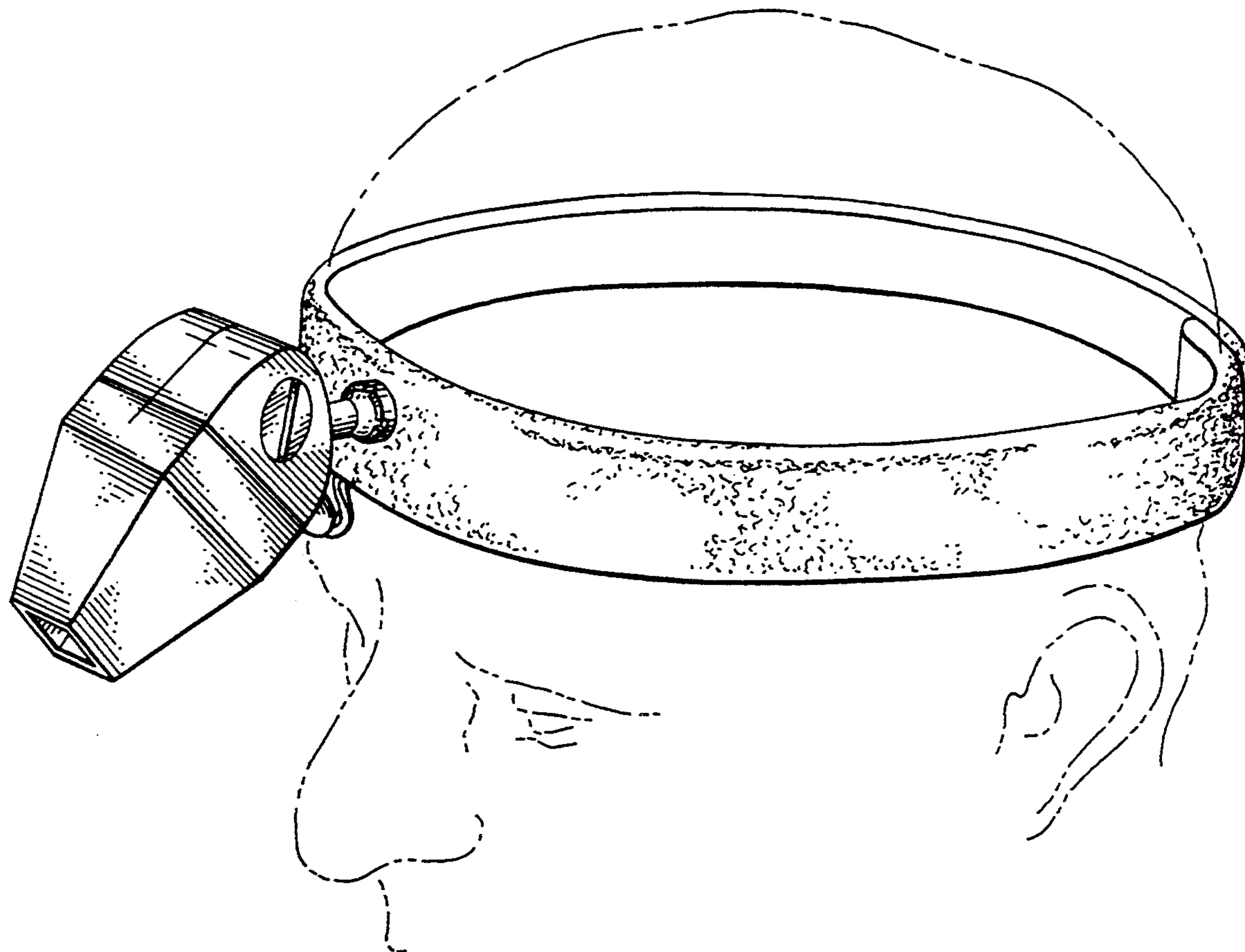
FIG. 4 is a top plan view of the head lamp of FIGS. 1 to 3;

FIG. 5 is a front elevational view of the head lamp of FIGS. 1 to 4;

FIG. 6 is a bottom plan view of the head lamp of FIGS. 1 to 5; and,

FIG. 7 is a rear elevational view of the head lamp of FIGS. 1-6.

The head is shown in broken lines in FIG. 1 for illustrative purposes only.



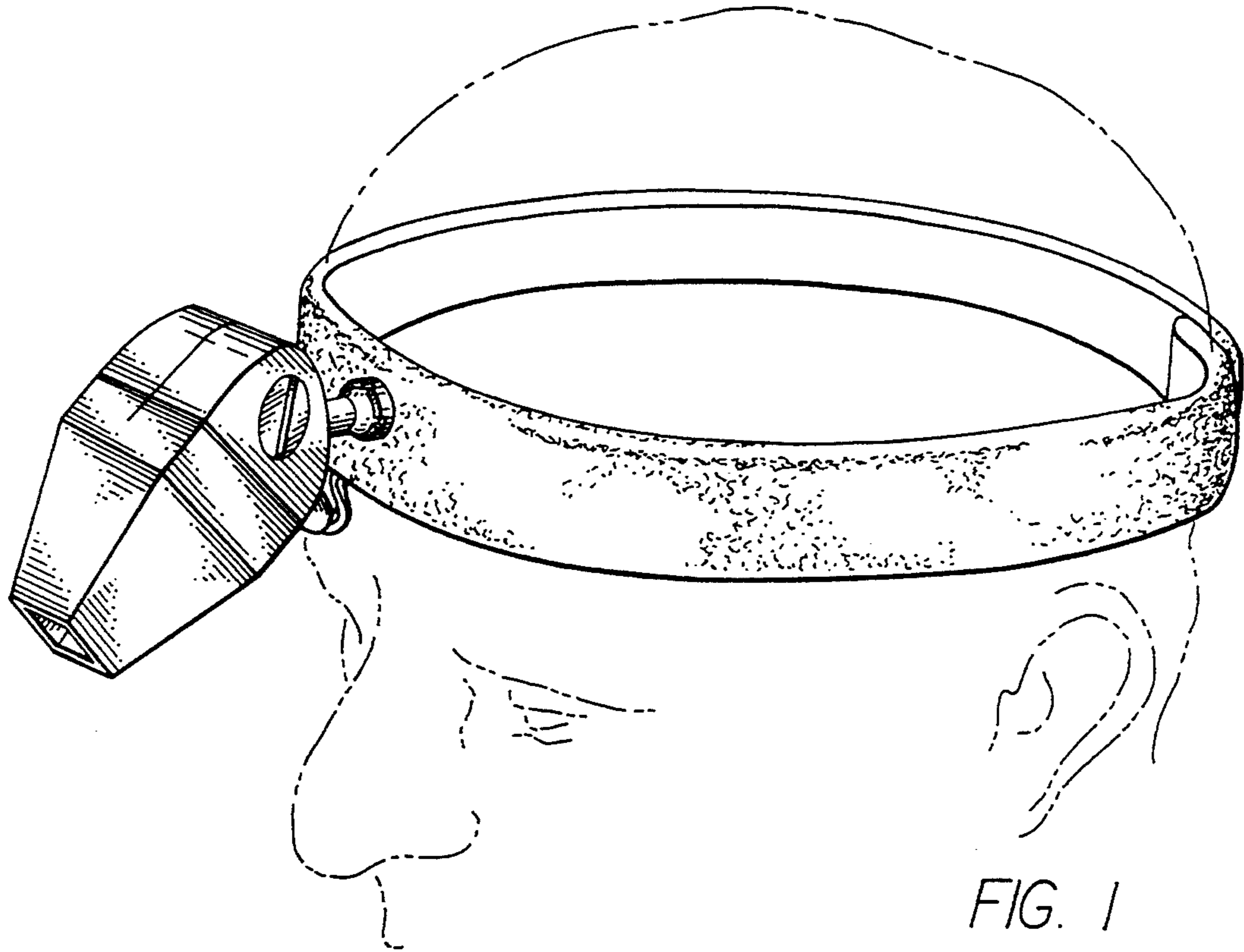


FIG. 1

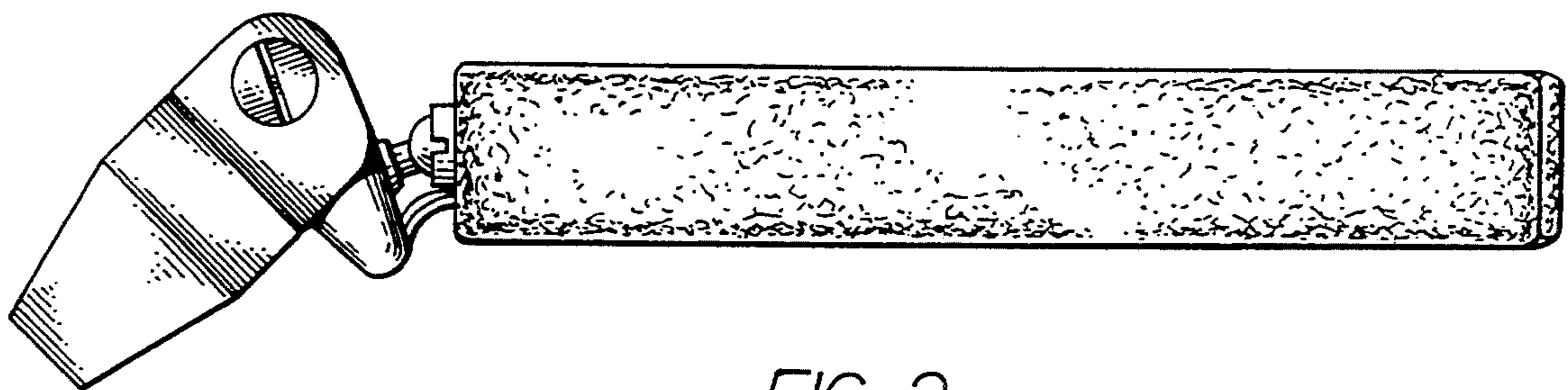


FIG. 2

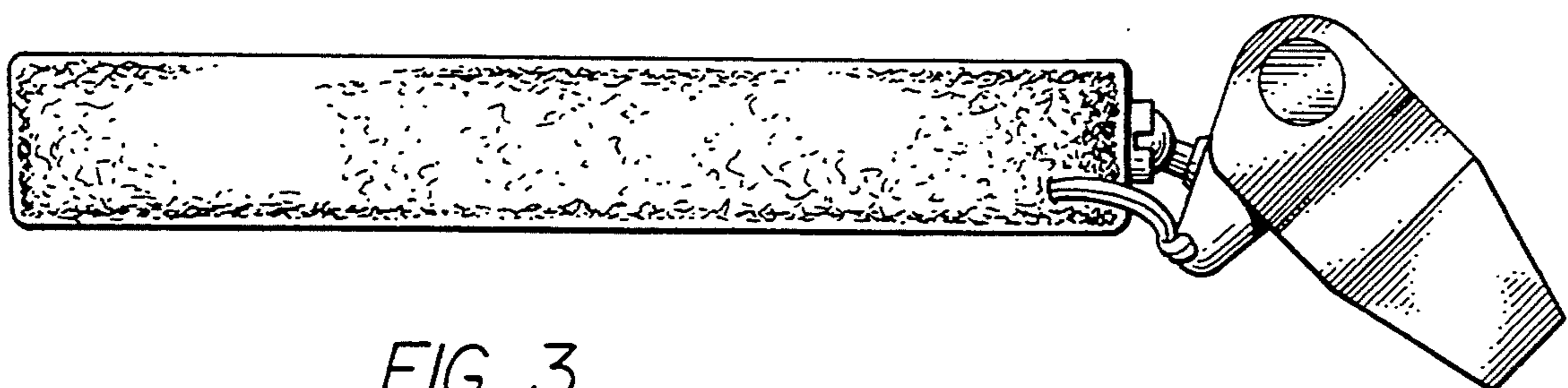


FIG. 3

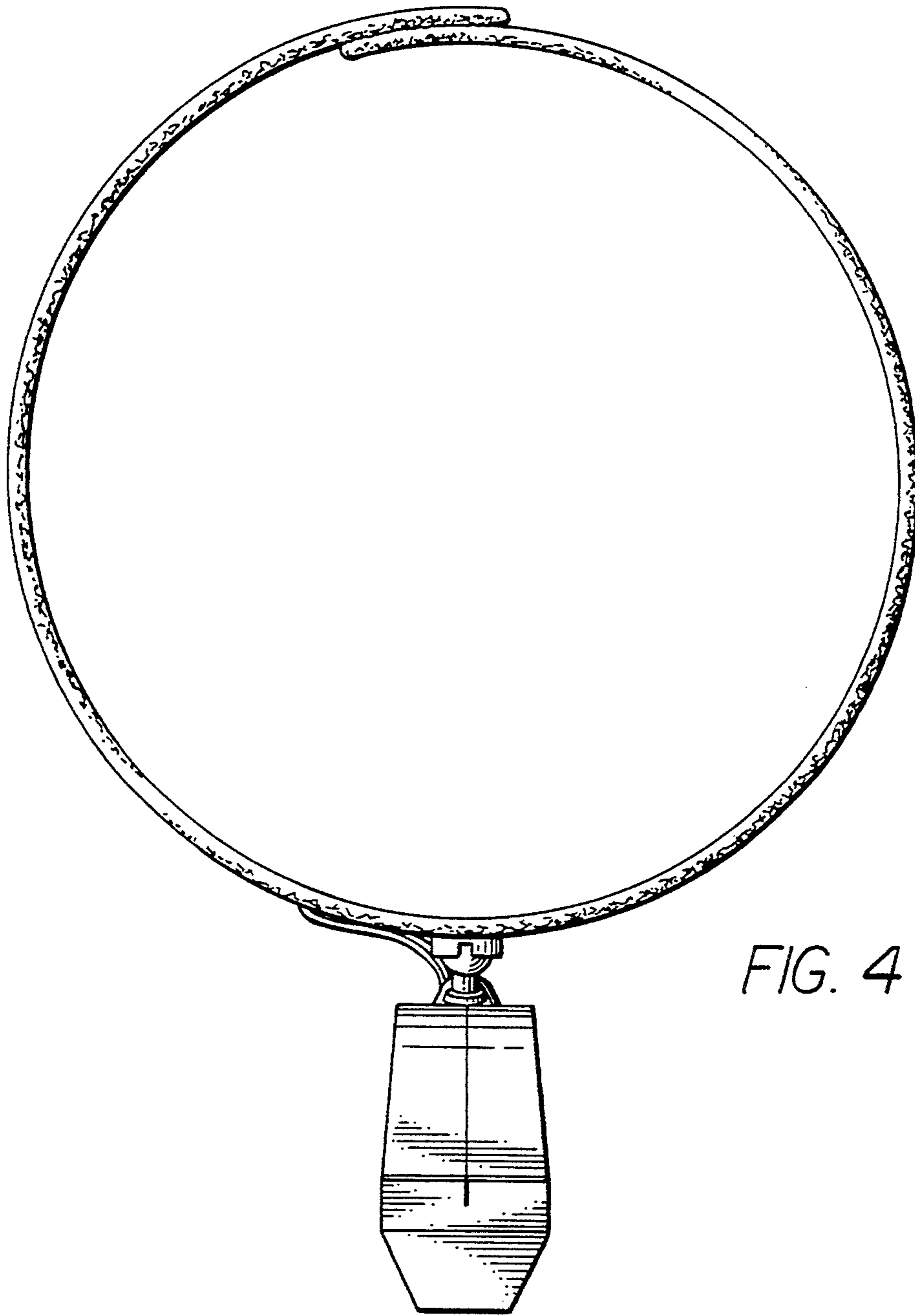


FIG. 4

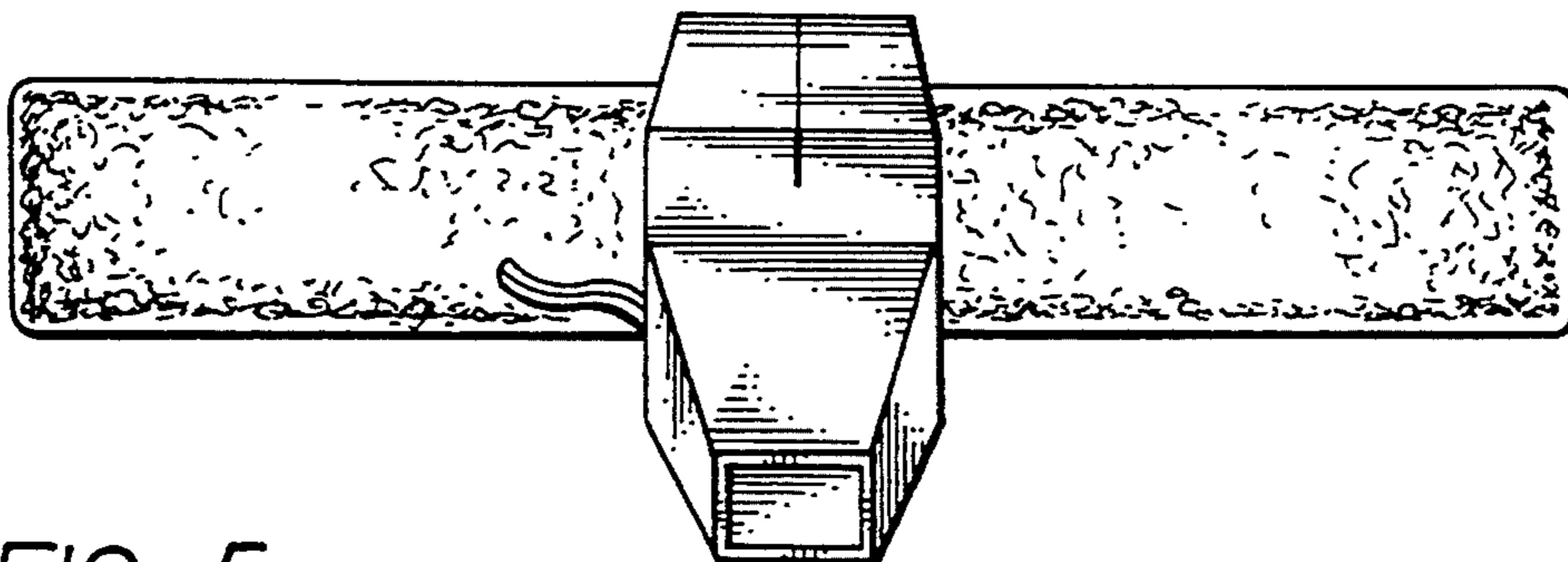


FIG. 5

FIG. 6

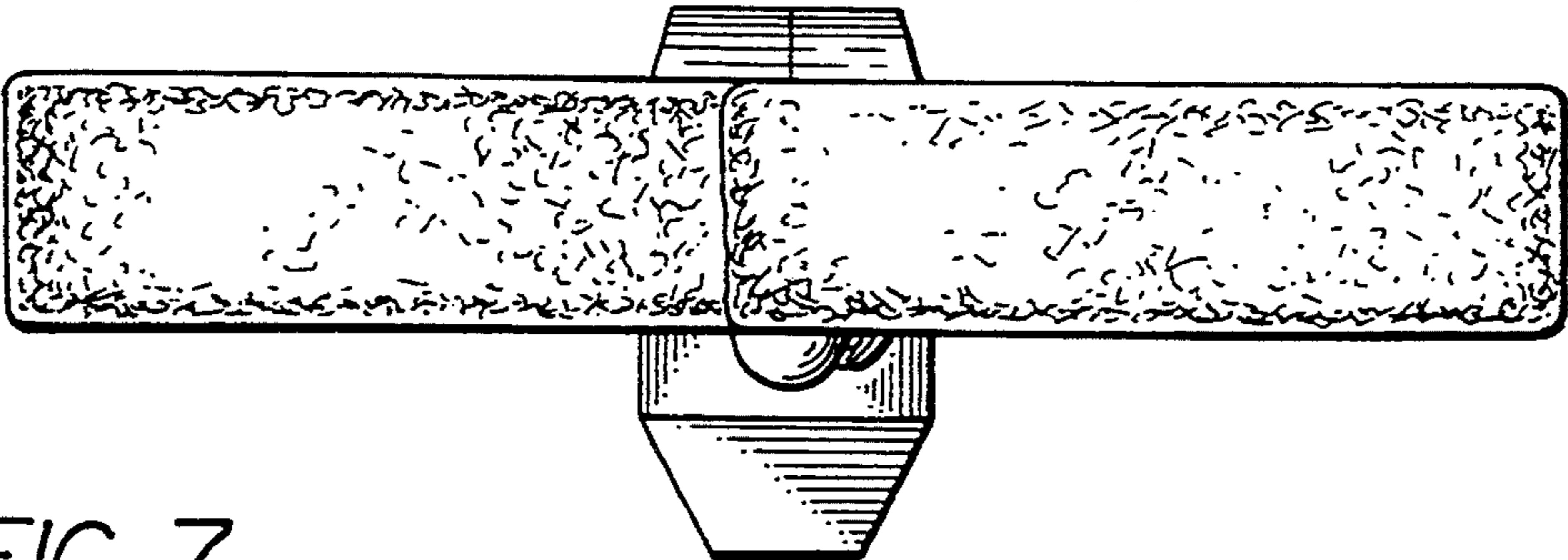
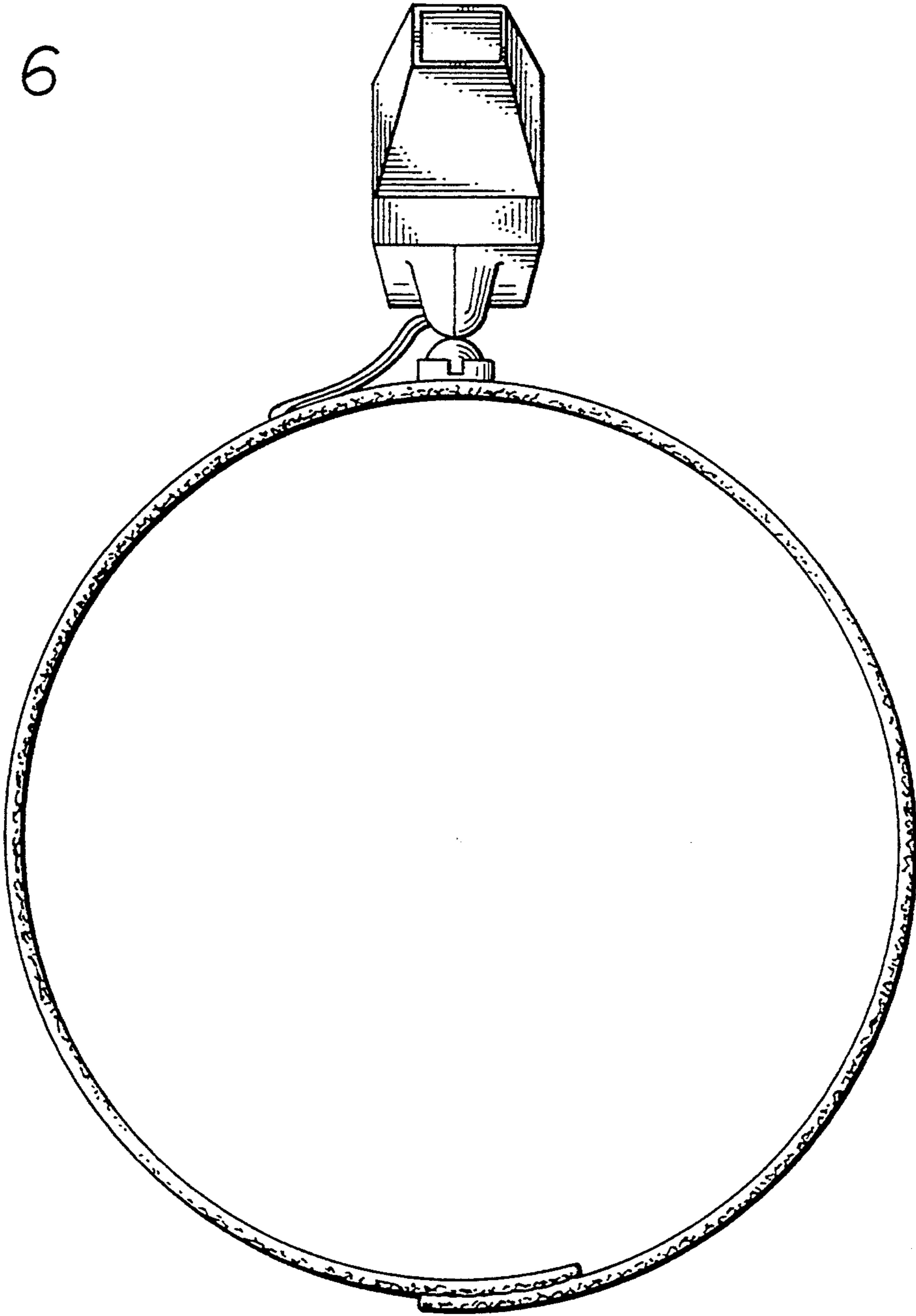


FIG. 7