



US00D362078S

United States Patent [19]

Sanders

[11] Patent Number: **Des. 362,078**

[45] Date of Patent: **** Sep. 5, 1995**

- [54] **PHOTOVOLATIC LANTERN/SURVIVAL LIGHT**
- [76] Inventor: **Otis H. Sanders**, P.O. Box 17561, Odessa, Tex. 79768
- [**] Term: **14 Years**
- [21] Appl. No.: **13,193**
- [22] Filed: **Sep. 20, 1993**
- [52] U.S. Cl. **D26/37**
- [58] Field of Search **D26/37, 44, 38, 48; 362/157, 158, 162, 164, 182, 205, 206, 208, 209, 183**

4,563,727 1/1986 Curiel 362/183
 4,977,488 12/1990 Spotts 362/183

Primary Examiner—Susan J. Lucas
Assistant Examiner—Cynthia E. Ramirez

[57] CLAIM

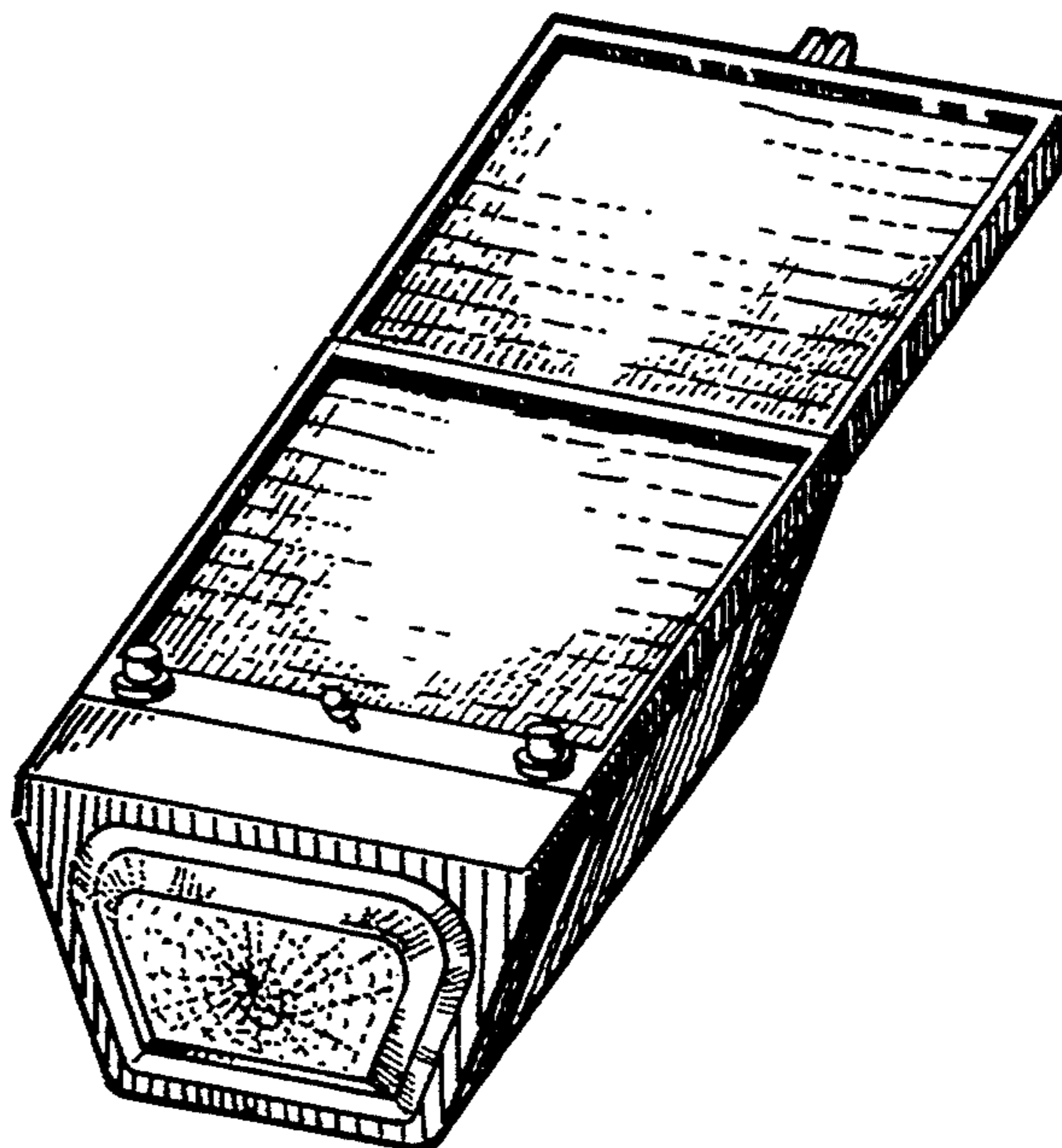
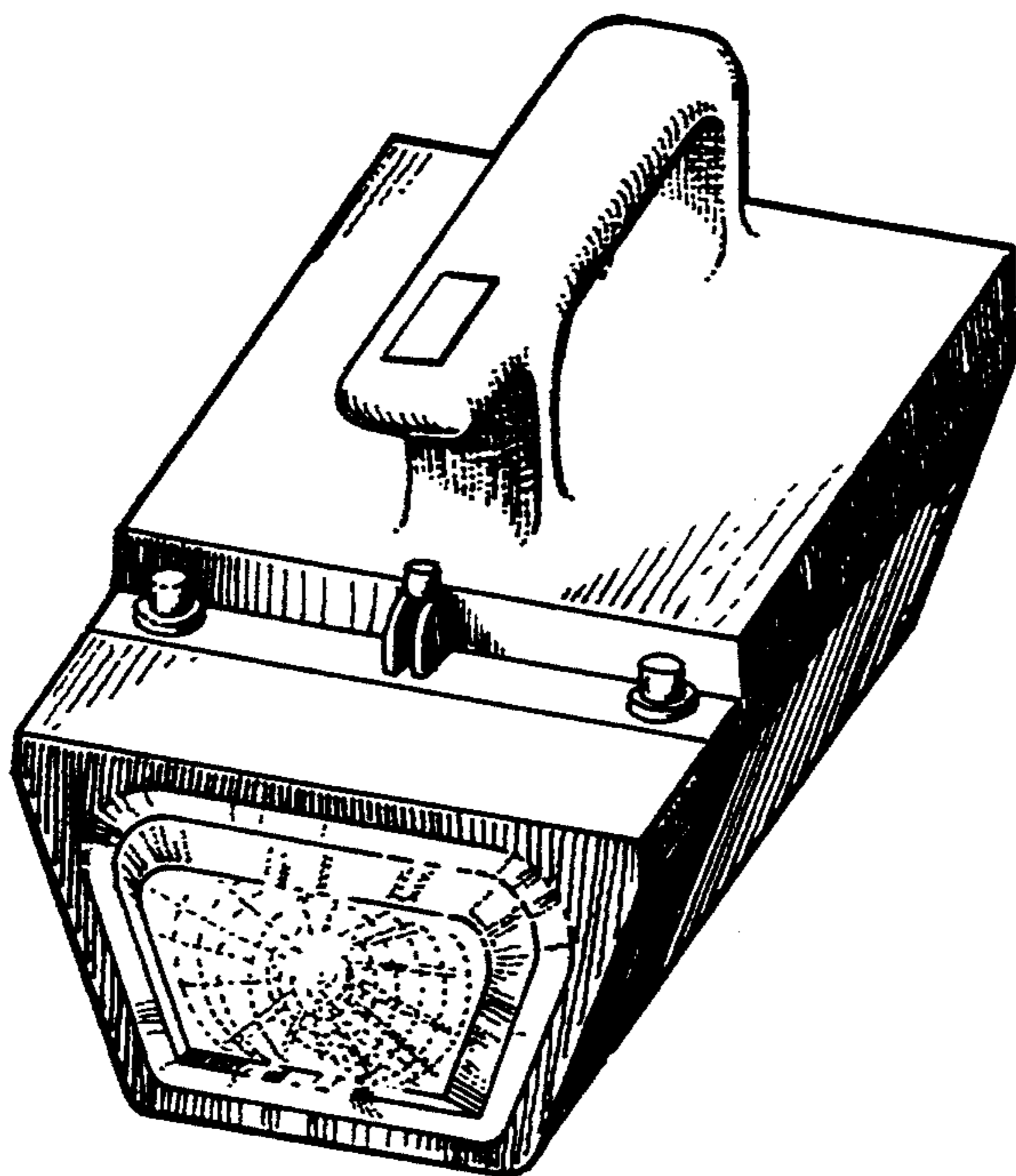
The ornamental design for a photovoltaic lantern/survival light, as shown and described.

DESCRIPTION

FIG. 1 is a perspective view of a photovoltaic lantern/survival light showing my new design;
 FIG. 2 is a left side view;
 FIG. 3 is a right side view;
 FIG. 4 is a front view;
 FIG. 5 is a rear view;
 FIG. 6 is a top plan view;
 FIG. 7 is a bottom plan view; and,
 FIG. 8 is a perspective front view, opened.

[56] **References Cited**
U.S. PATENT DOCUMENTS

- D. 173,423 11/1954 Garland D26/48 X
- D. 254,395 3/1980 Klawitter D26/48
- D. 295,561 5/1988 Hsiao D26/48



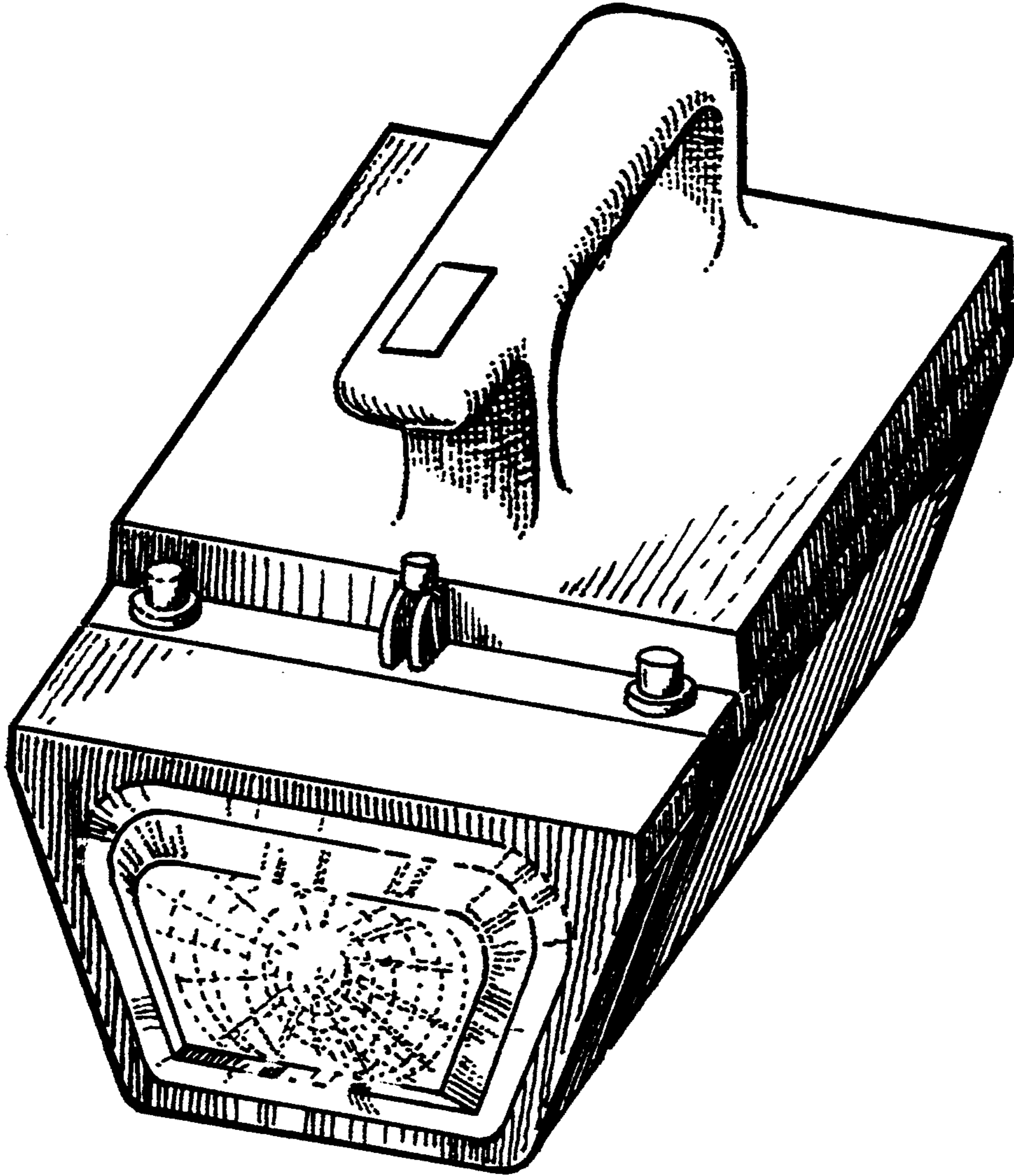


FIG. 1

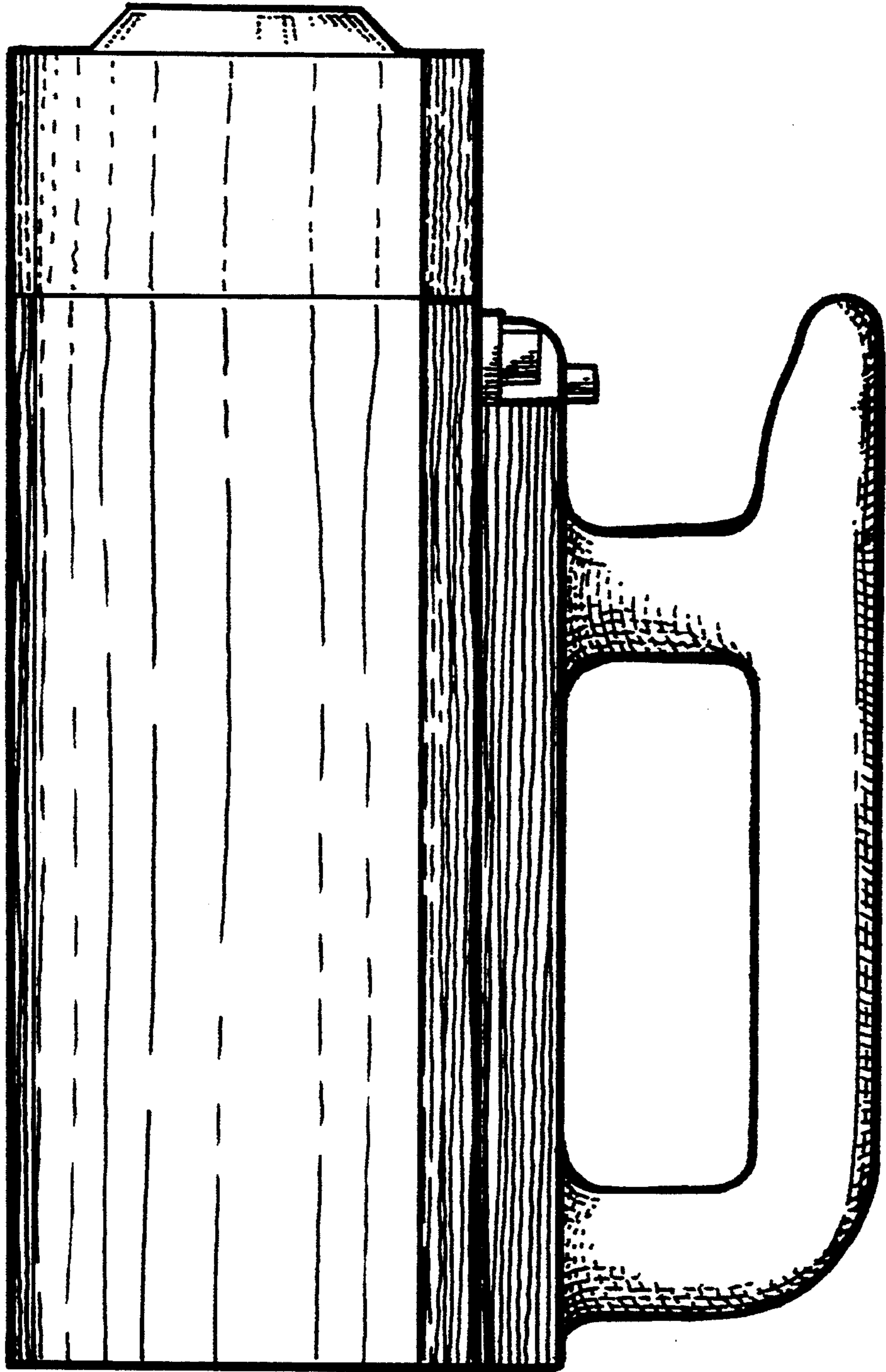


FIG. 2

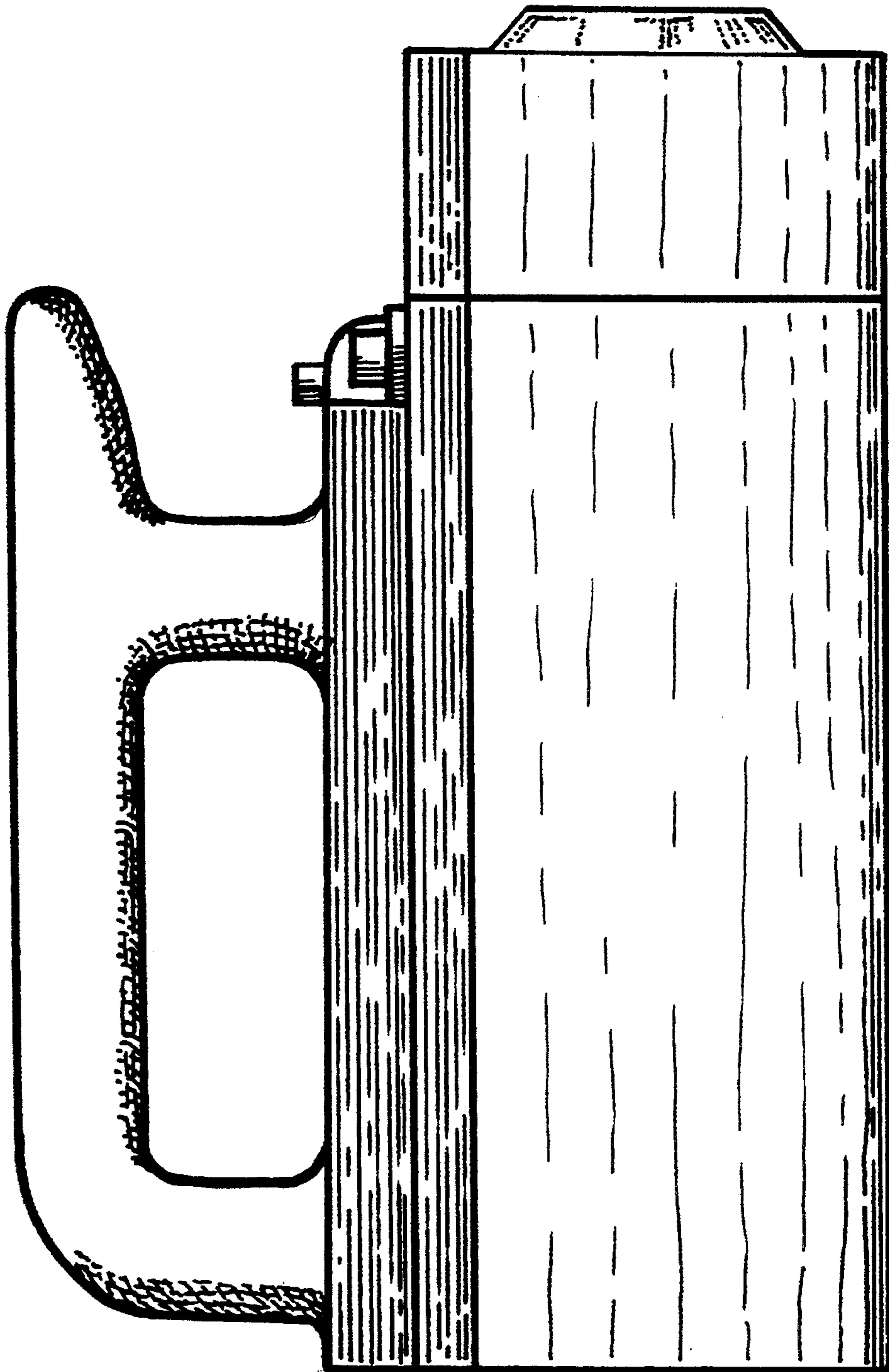


FIG. 3

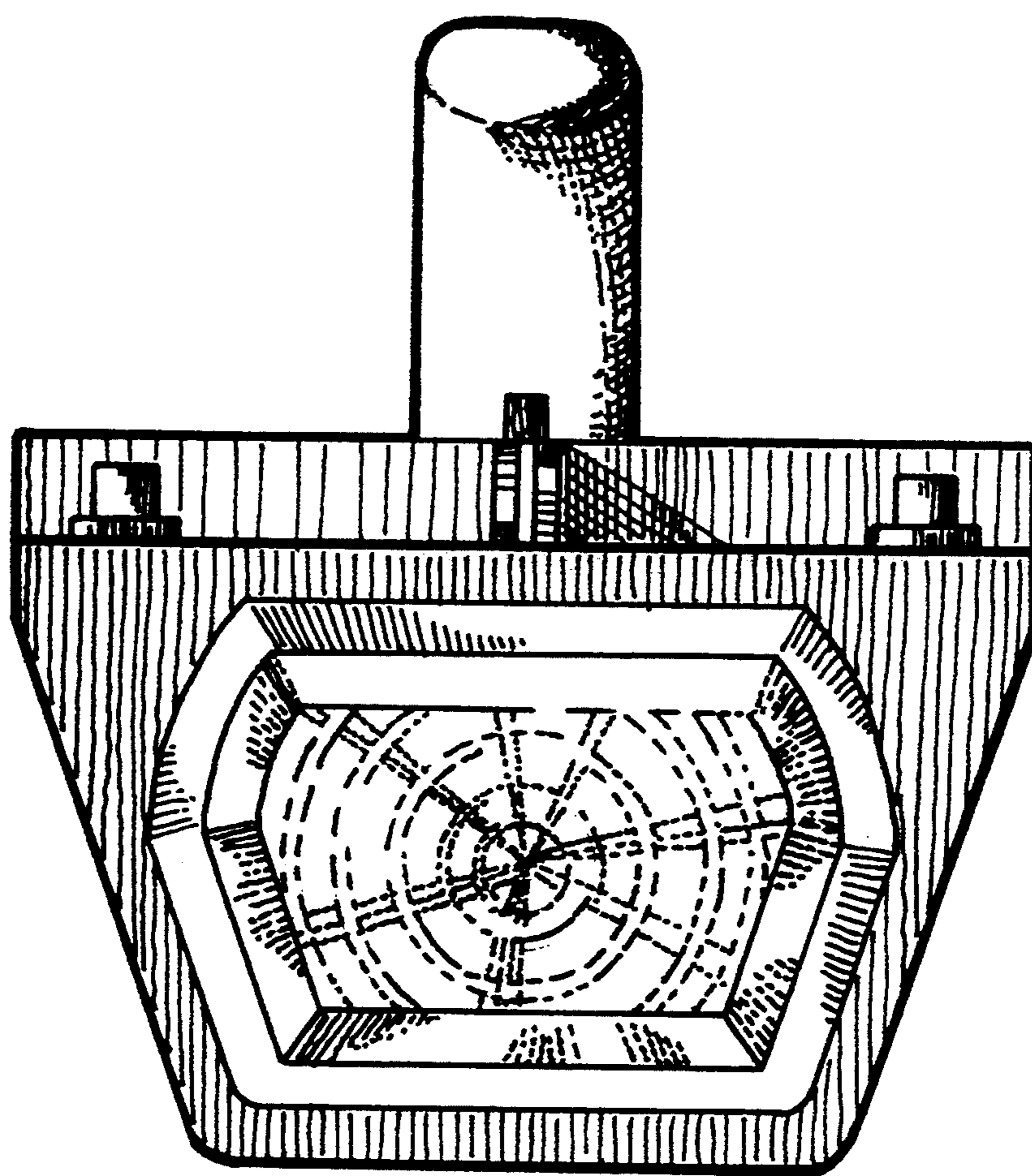


FIG. 4

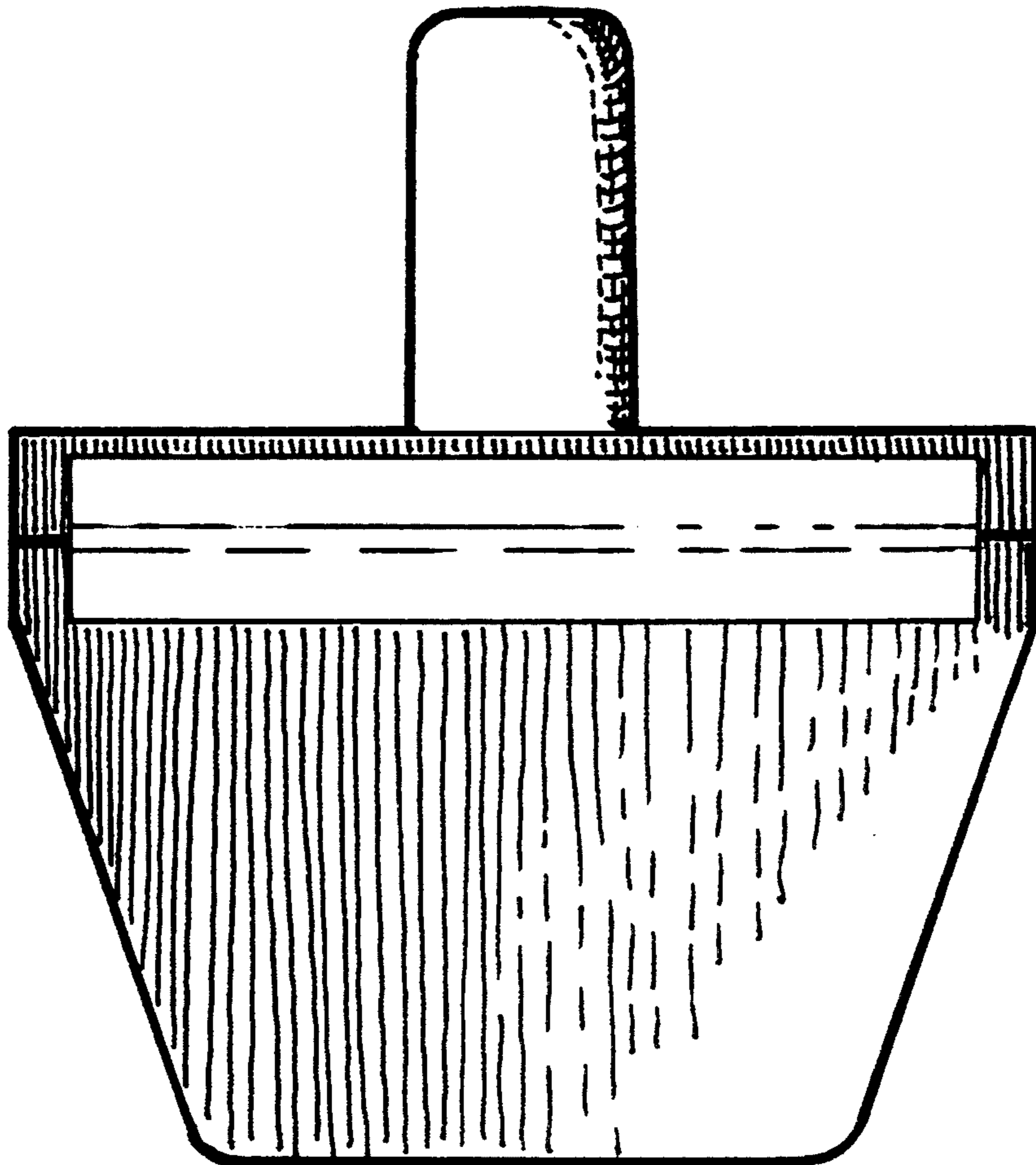


FIG. 5

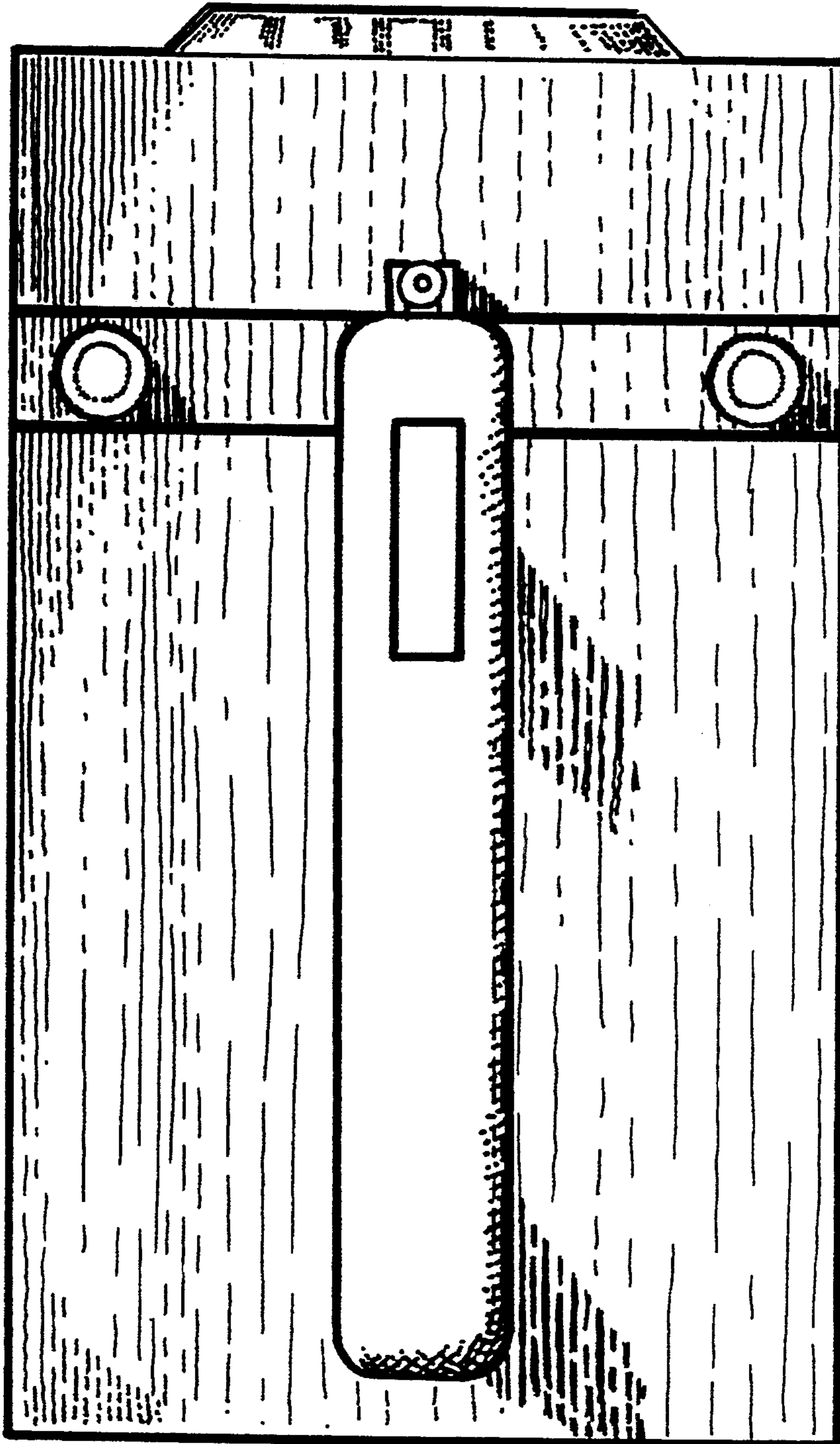


FIG. 6

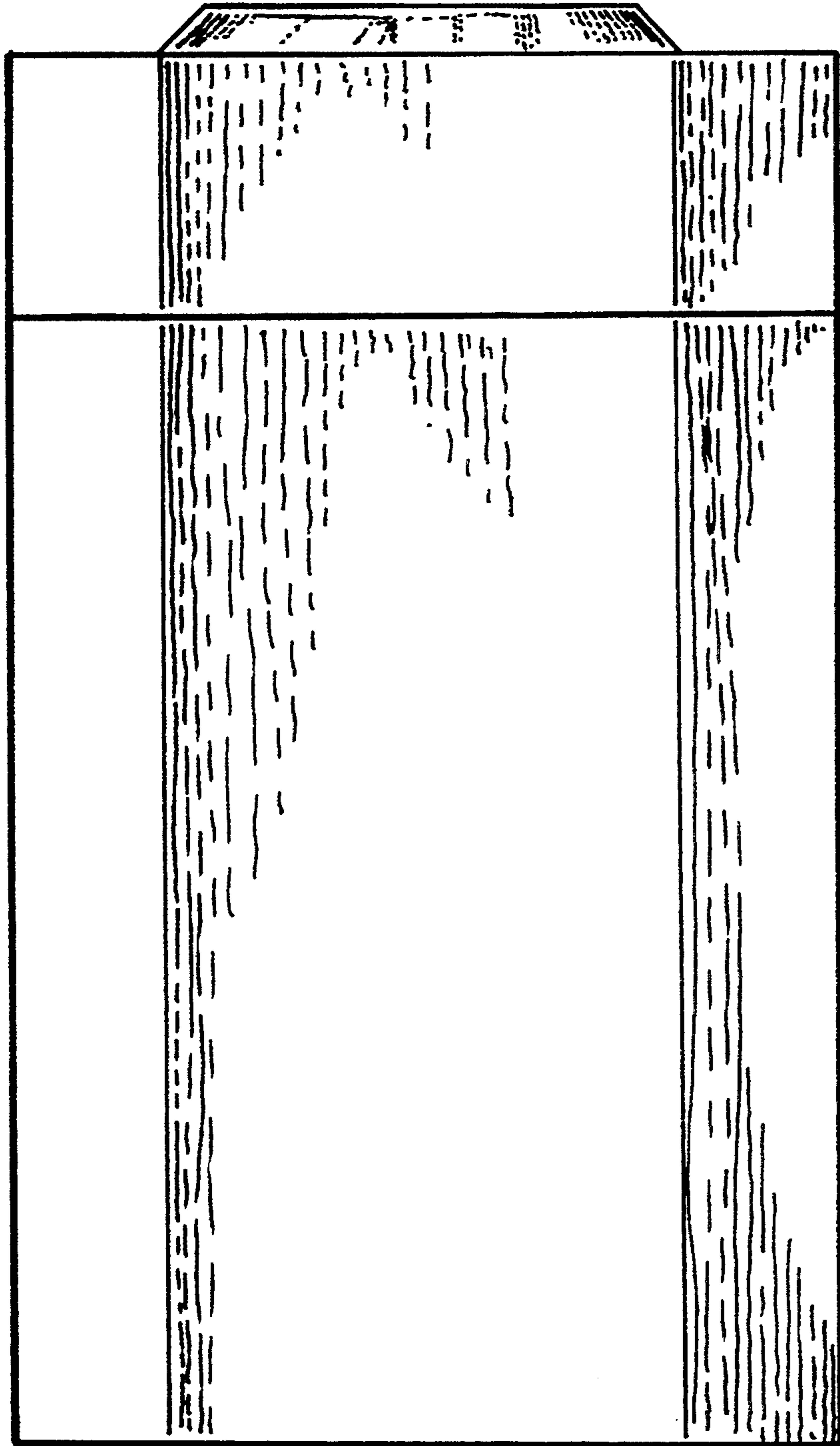


FIG. 7

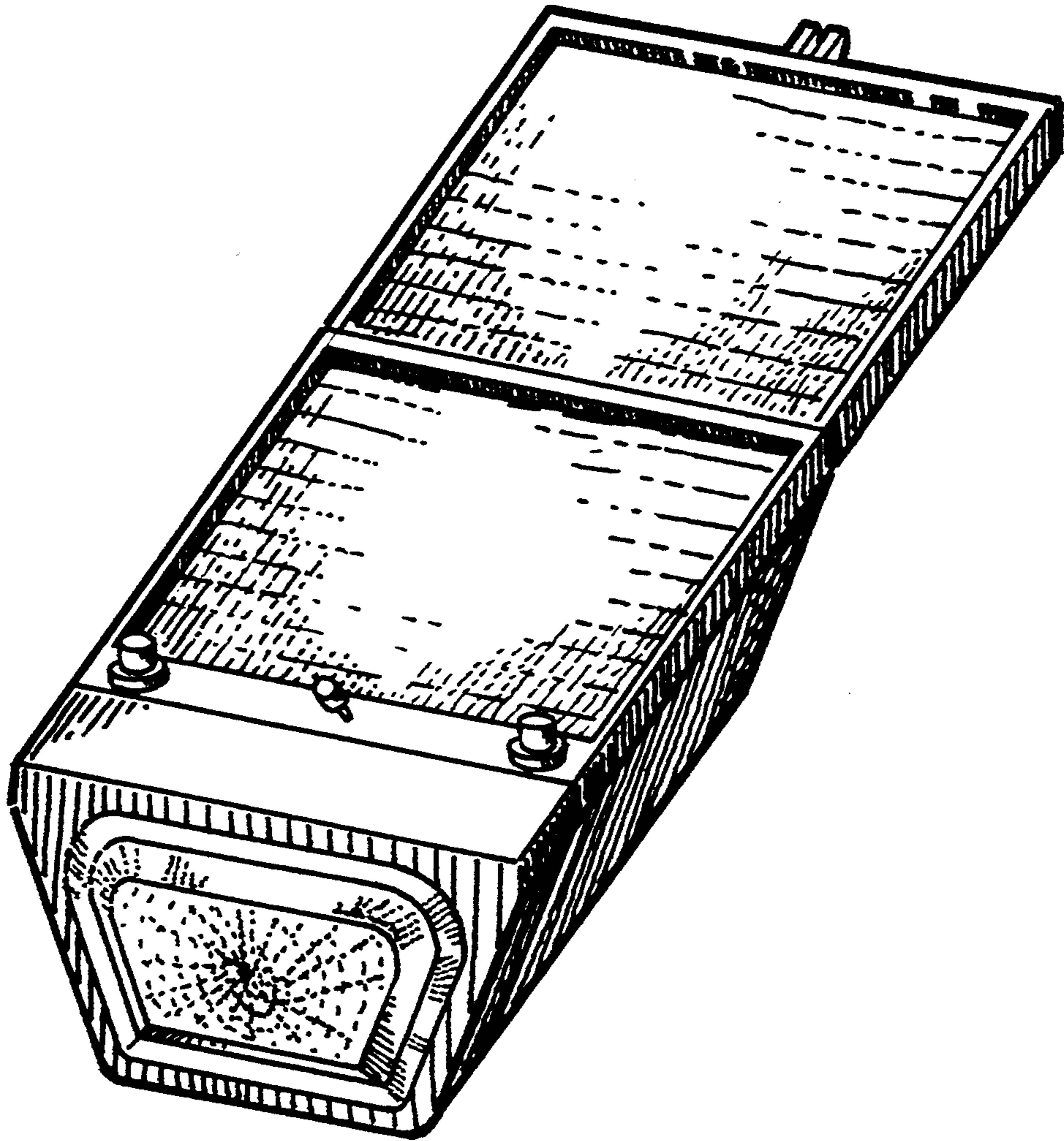


FIG. 8