



US00D362073S

United States Patent [19]

[11] Patent Number: **Des. 362,073**

Hsieh

[45] Date of Patent: **** Sep. 5, 1995**

[54] **COMBINED PACIFIER AND THERMOMETER**

5,109,864 5/1992 Lu 606/234 X
5,211,479 5/1993 Coffey et al. 606/234 X

[76] Inventor: **Frank Hsieh**, 7F-4, No. 246, Sec. 2, Chang-An East Rd., Taipei, Taiwan

Primary Examiner—Stella Reid
Attorney, Agent, or Firm—Pro-Techtor International

[**] Term: **14 Years**

[57] **CLAIM**

[21] Appl. No.: **23,934**

The ornamental design for a combined pacifier and thermometer, as shown.

[22] Filed: **Jun. 3, 1994**

[52] U.S. Cl. **D24/194**

DESCRIPTION

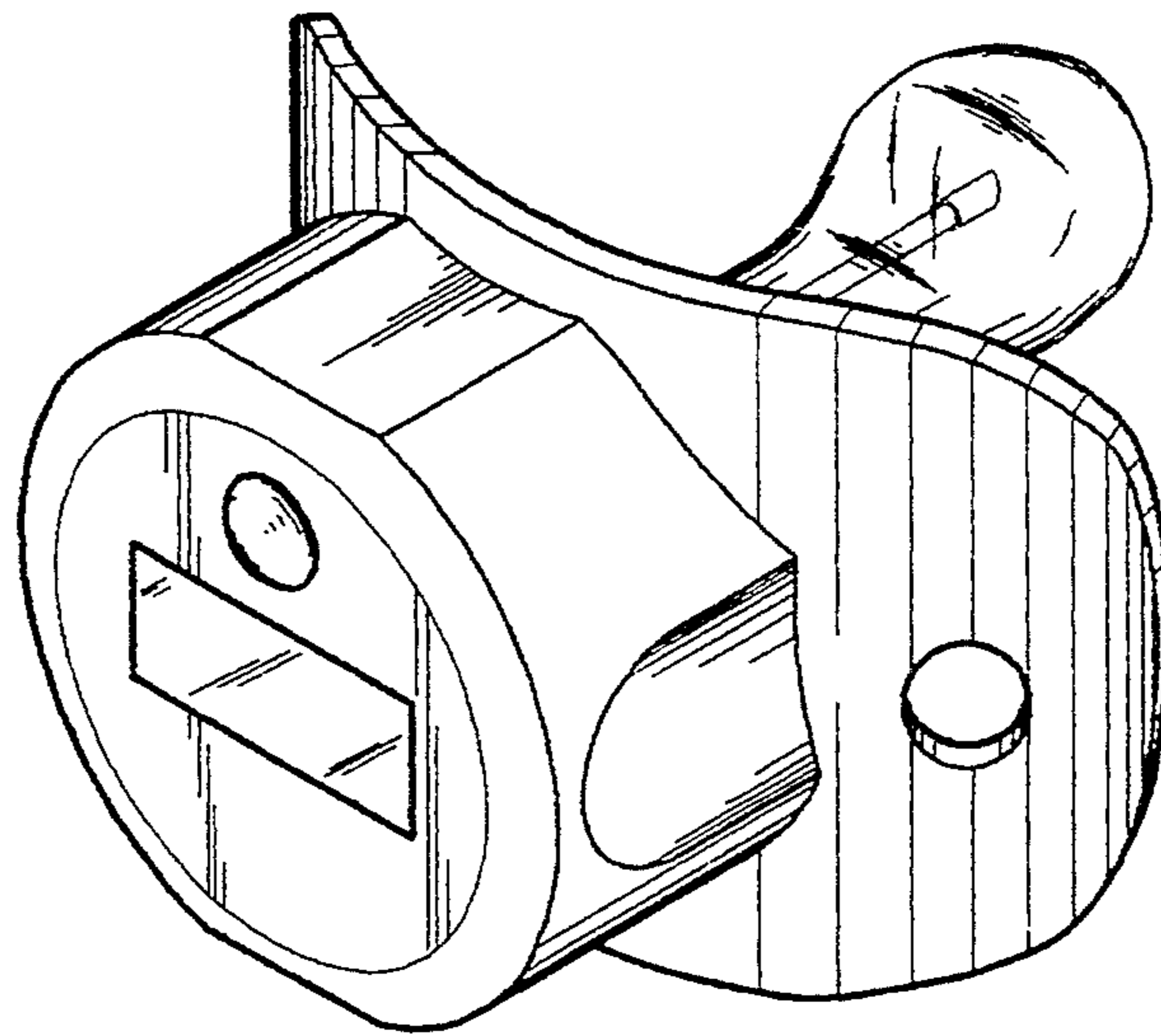
[58] Field of Search D24/194, 196; 606/234, 606/235, 236; 128/736

FIG. 1 is a perspective view of a combined pacifier and thermometer showing my design;
FIG. 2 is a front view thereof;
FIG. 3 is a rear view thereof;
FIG. 4 is a left view thereof;
FIG. 5 is a right view thereof;
FIG. 6 is a top view thereof; and,
FIG. 7 is a bottom view thereof.

[56] References Cited

U.S. PATENT DOCUMENTS

D. 268,651 4/1983 Doyle D24/194
D. 337,386 7/1993 Bierend D24/194
5,108,423 4/1992 Lu 606/236 X



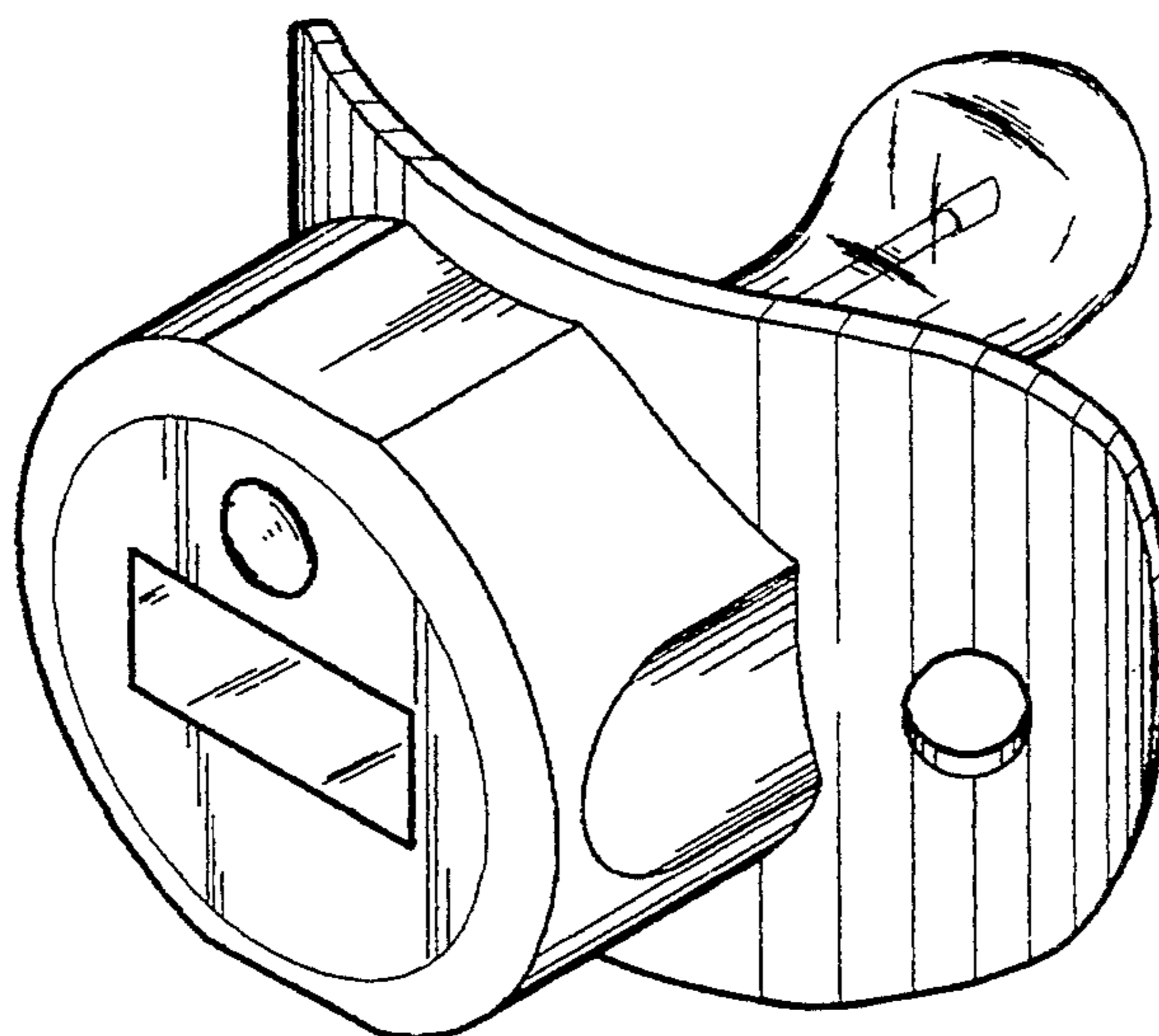


FIG. 1

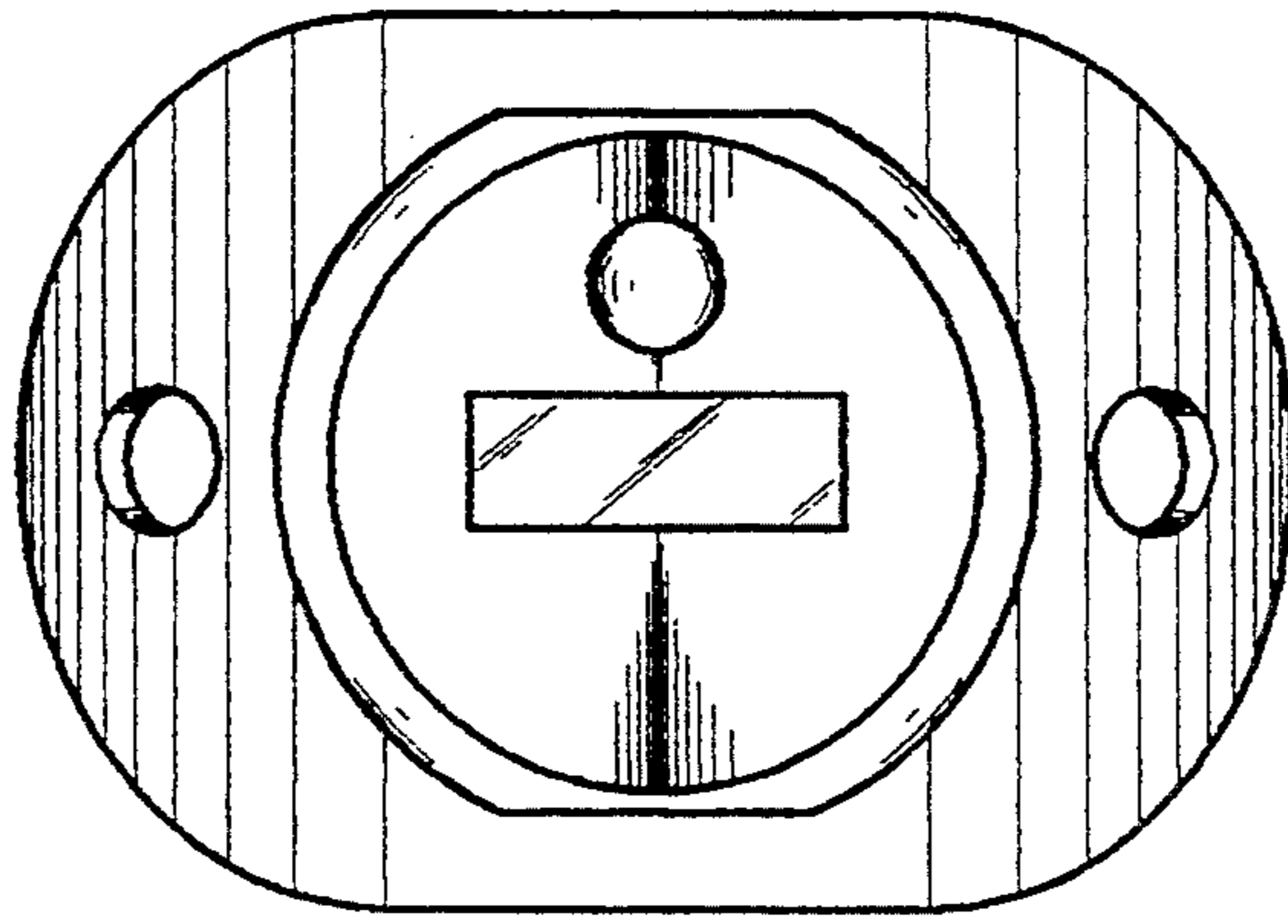


FIG. 2

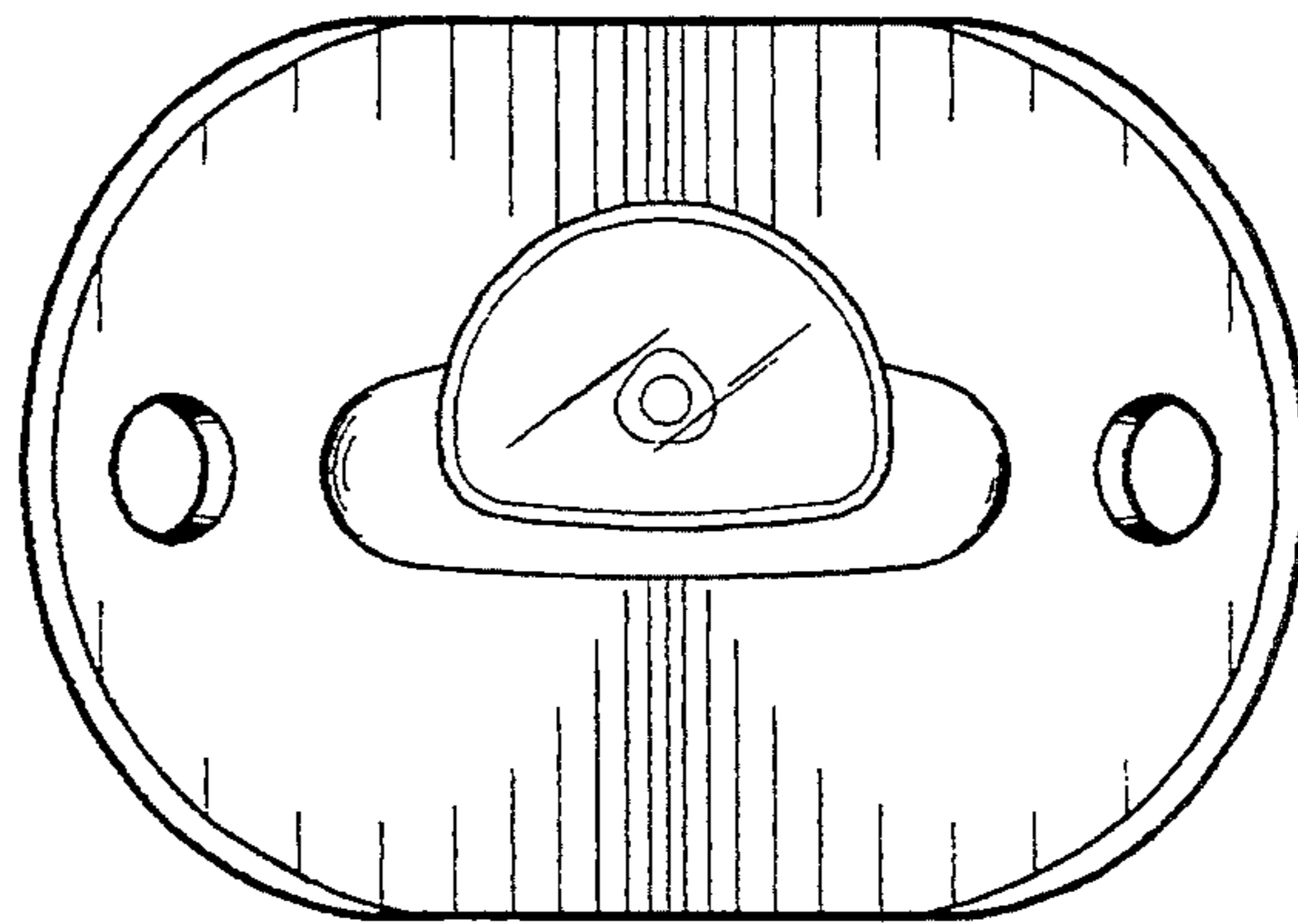


FIG. 3

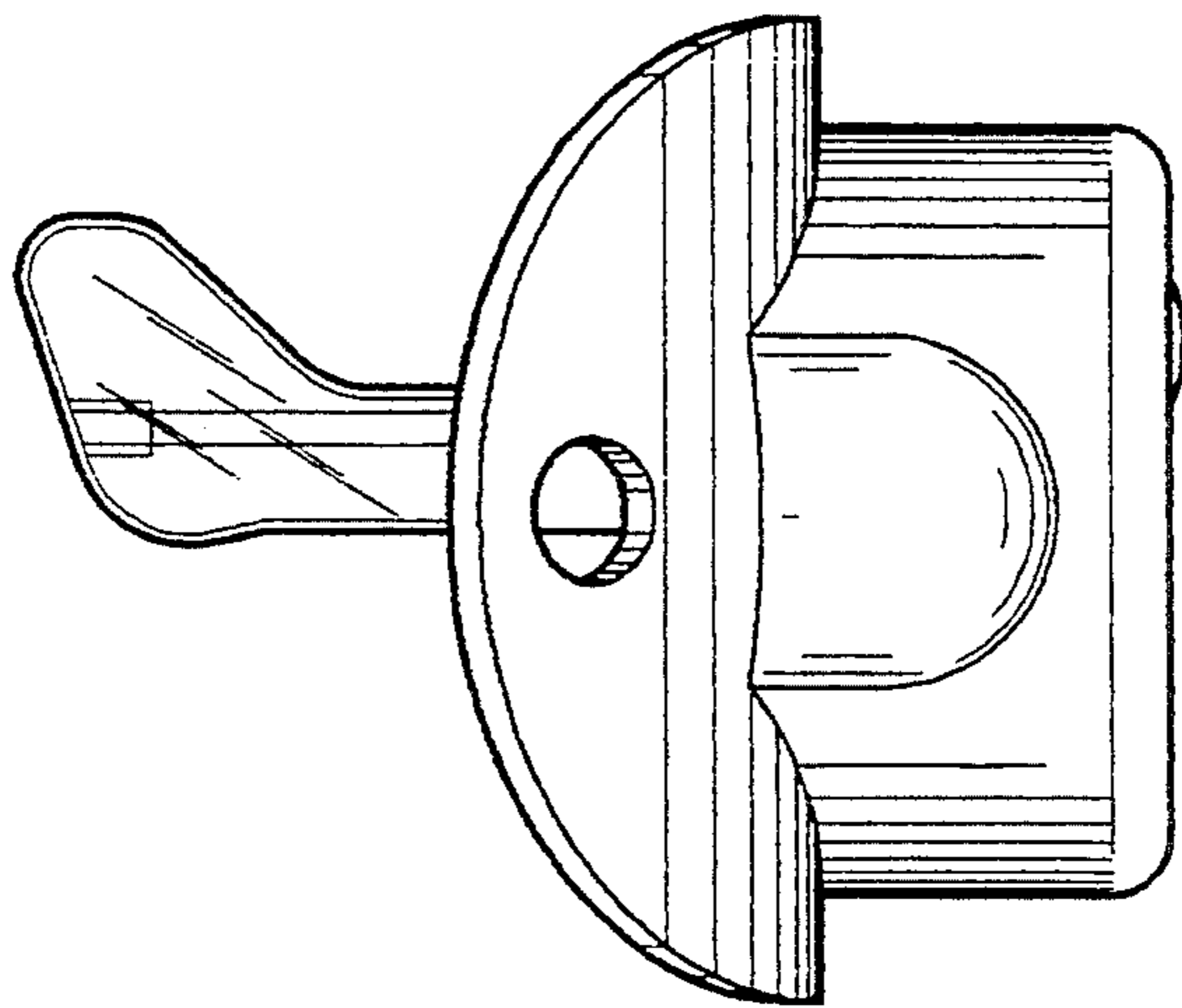


FIG. 4

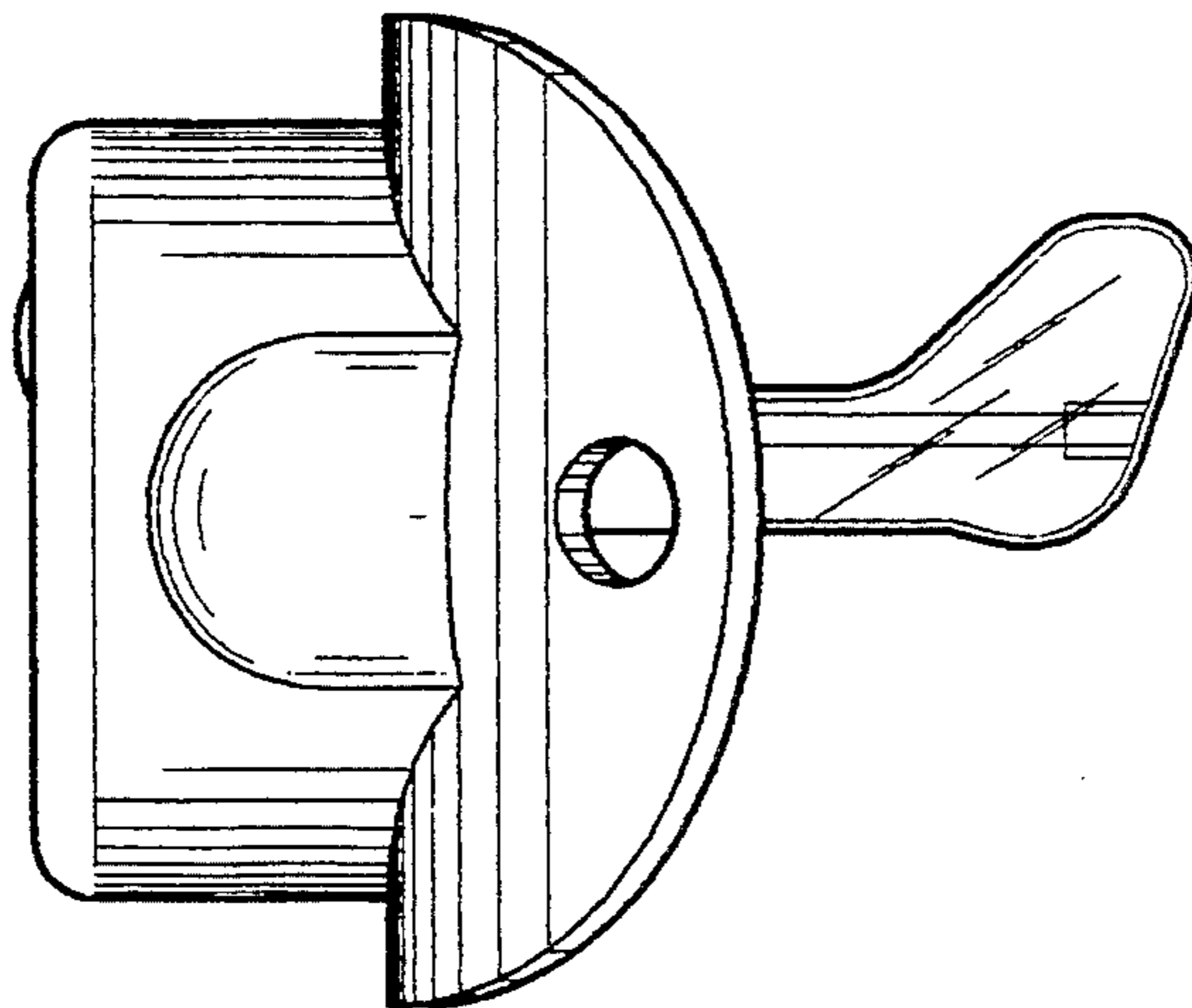


FIG. 5

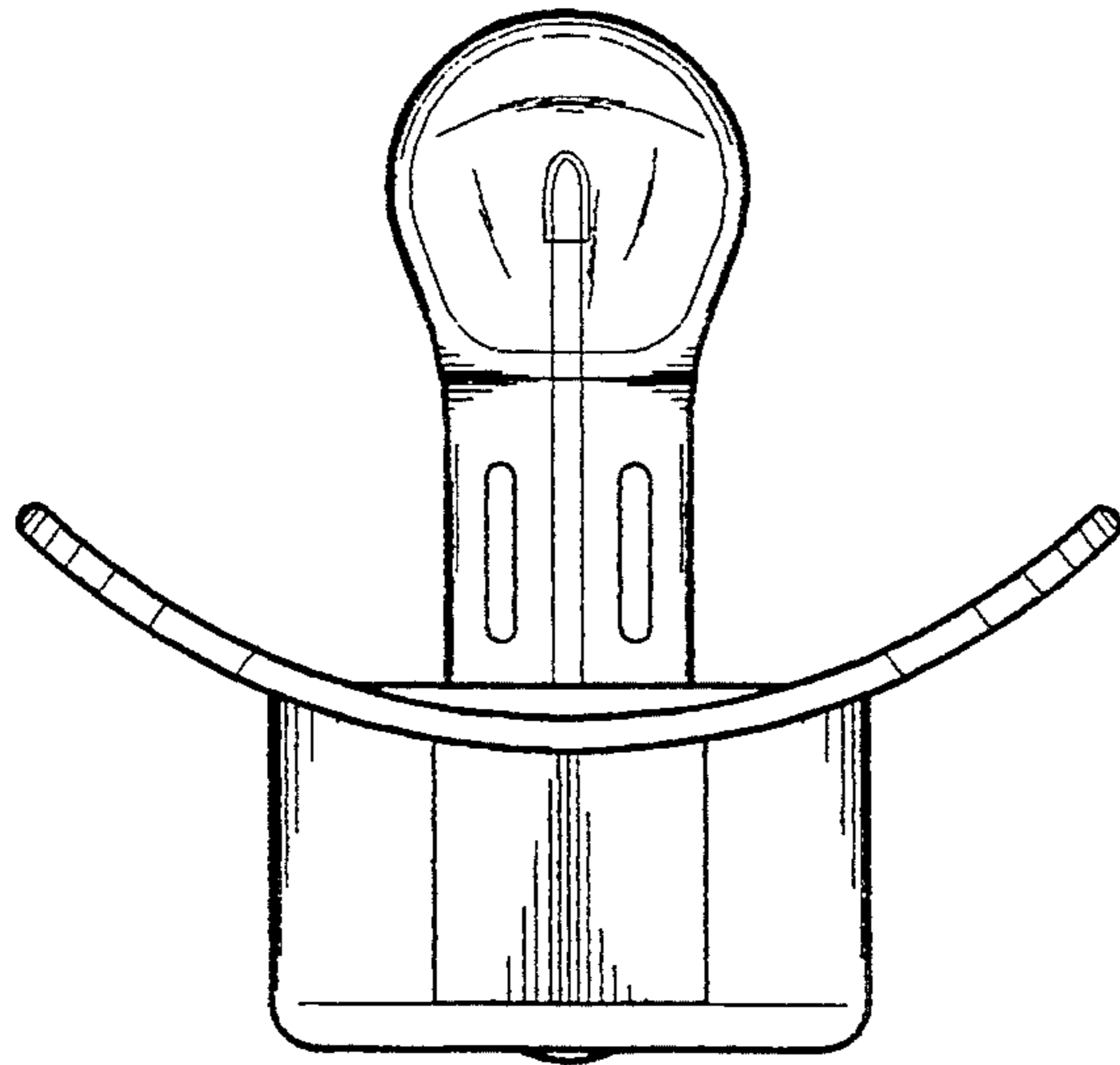


FIG. 6

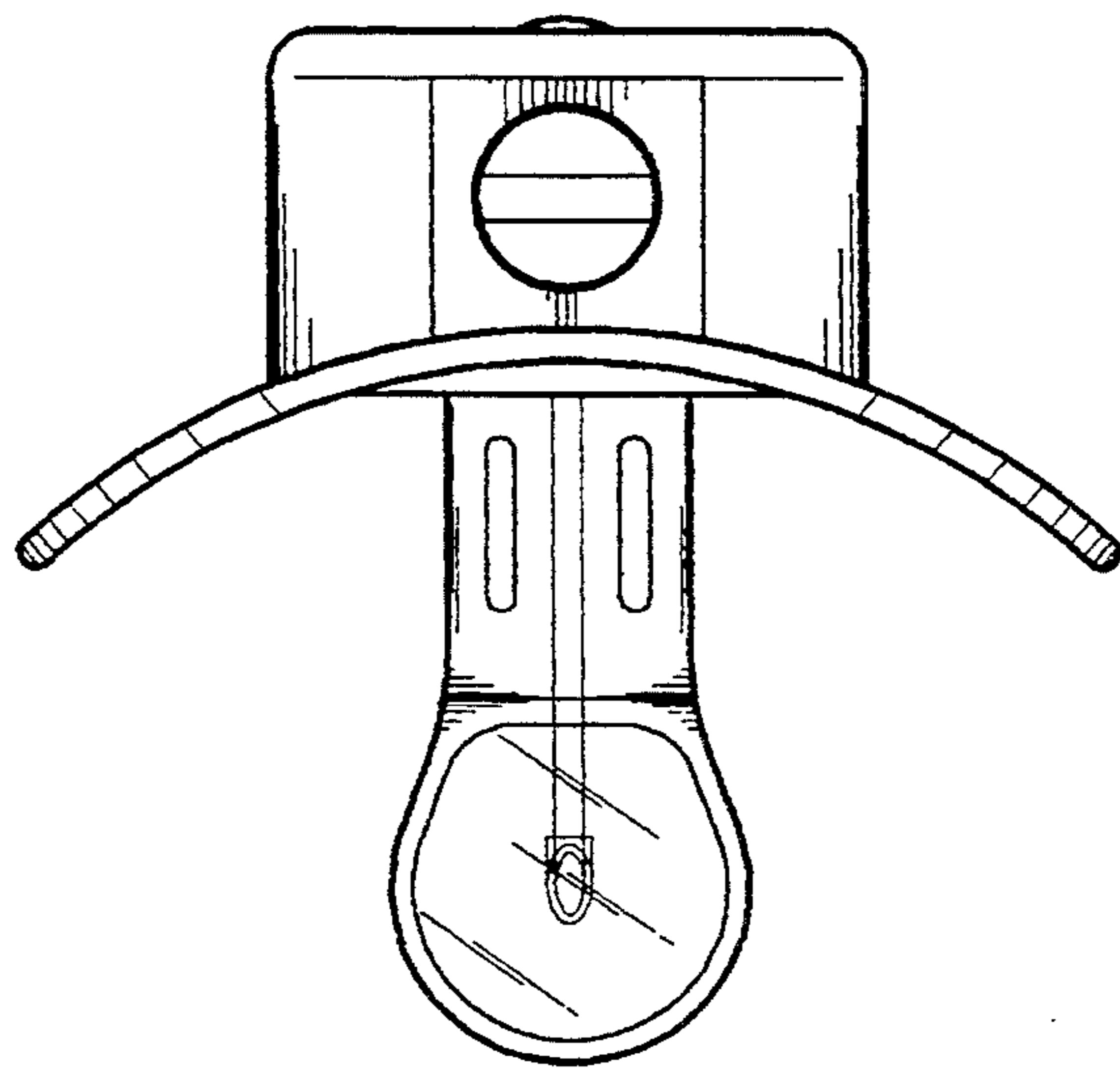


FIG. 7