



US00D362070S

United States Patent [19]

[11] Patent Number: **Des. 362,070**

Willis

[45] Date of Patent: **** Sep. 5, 1995**

[54] **WRIST-WORN CARDIAC MONITOR**

Attorney, Agent, or Firm—Donald E. Hewson

[76] Inventor: **Wesley N. Willis**, P.O. Box 200,
Trent River, Ontario K0L 2Z0,
Canada

[57] **CLAIM**

The ornamental design for a wrist-worn cardiac monitor, as shown and described.

[**] Term: **14 Years**

DESCRIPTION

[21] Appl. No.: **18,227**

FIG. 1 is a top perspective view of a wrist-worn cardiac monitor, showing my new design;
FIG. 2 is a bottom perspective view thereof;
FIG. 3 is a top plan view thereof;
FIG. 4 is a bottom view thereof;
FIG. 5 is a left-side elevational view thereof;
FIG. 6 is a right-side elevational view thereof;
FIG. 7 is an end elevational view from one end thereof; and,
FIG. 8 is an end elevational view from the other end thereof.
The broken line showing in FIGS. 1-6 and 8 is for illustrative purposes only and forms no part of the claimed design.

[22] Filed: **Feb. 2, 1994**

[52] U.S. Cl. **D24/186**

[58] Field of Search D24/167, 186; 128/690,
128/689, 706, 710, 725, 670, 671

[56] References Cited

U.S. PATENT DOCUMENTS

- D. 269,546 1/1983 Rogers et al. D24/186
- D. 287,403 12/1986 Kiiski et al. D24/167
- D. 342,571 12/1993 Givens, Sr. D24/186
- 4,407,295 10/1983 Steuer et al. 128/670

Primary Examiner—Stella Reid

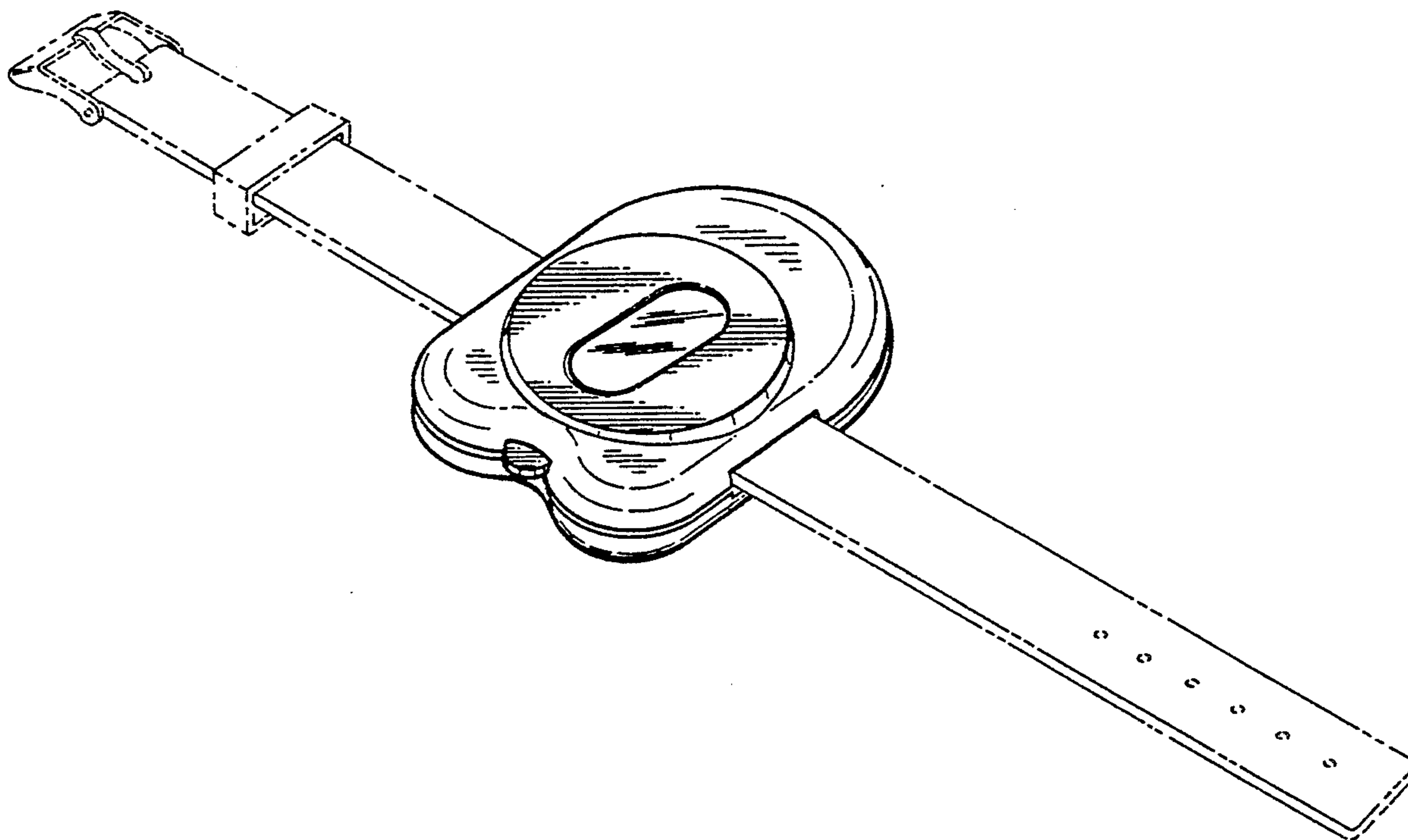


FIG. 1.

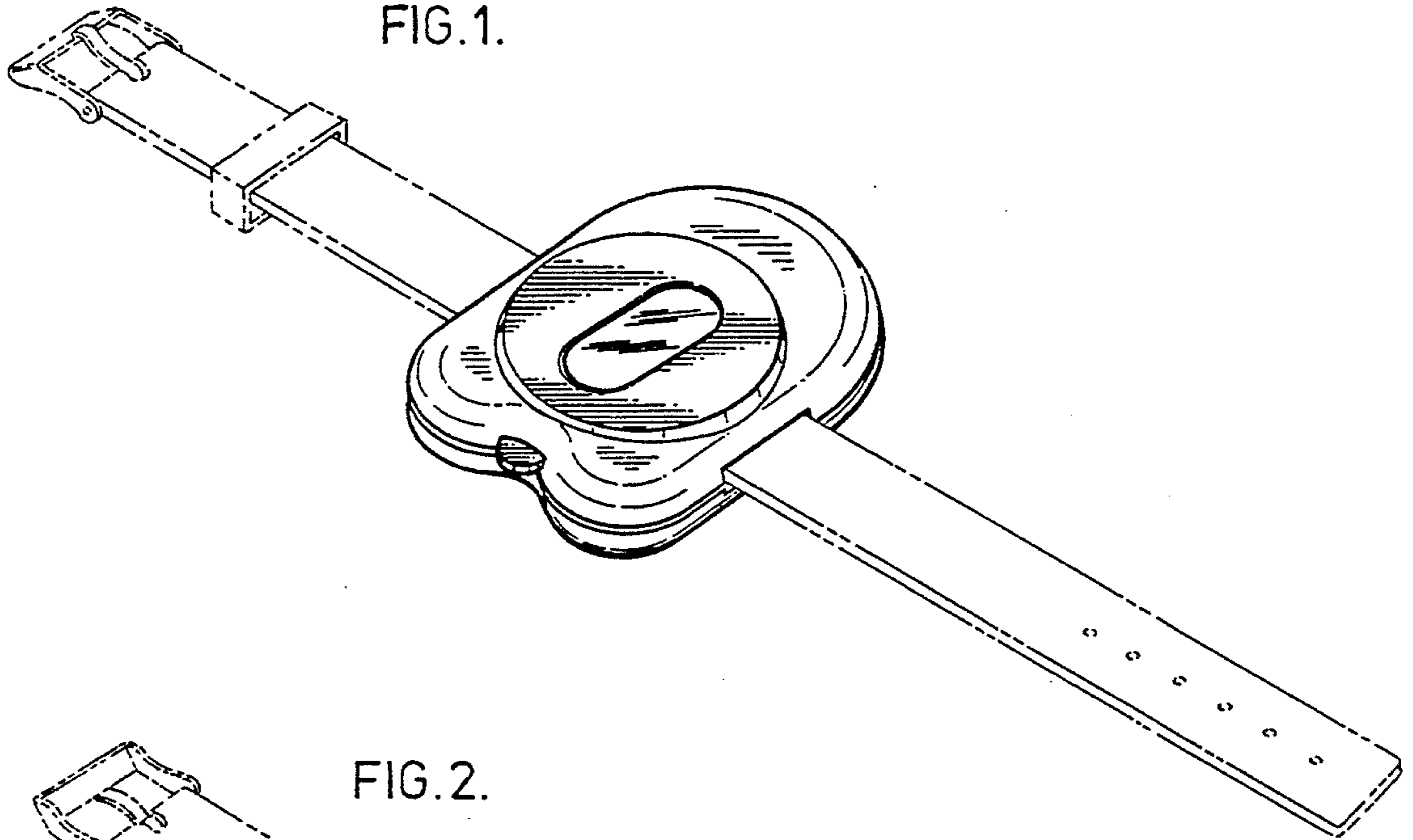
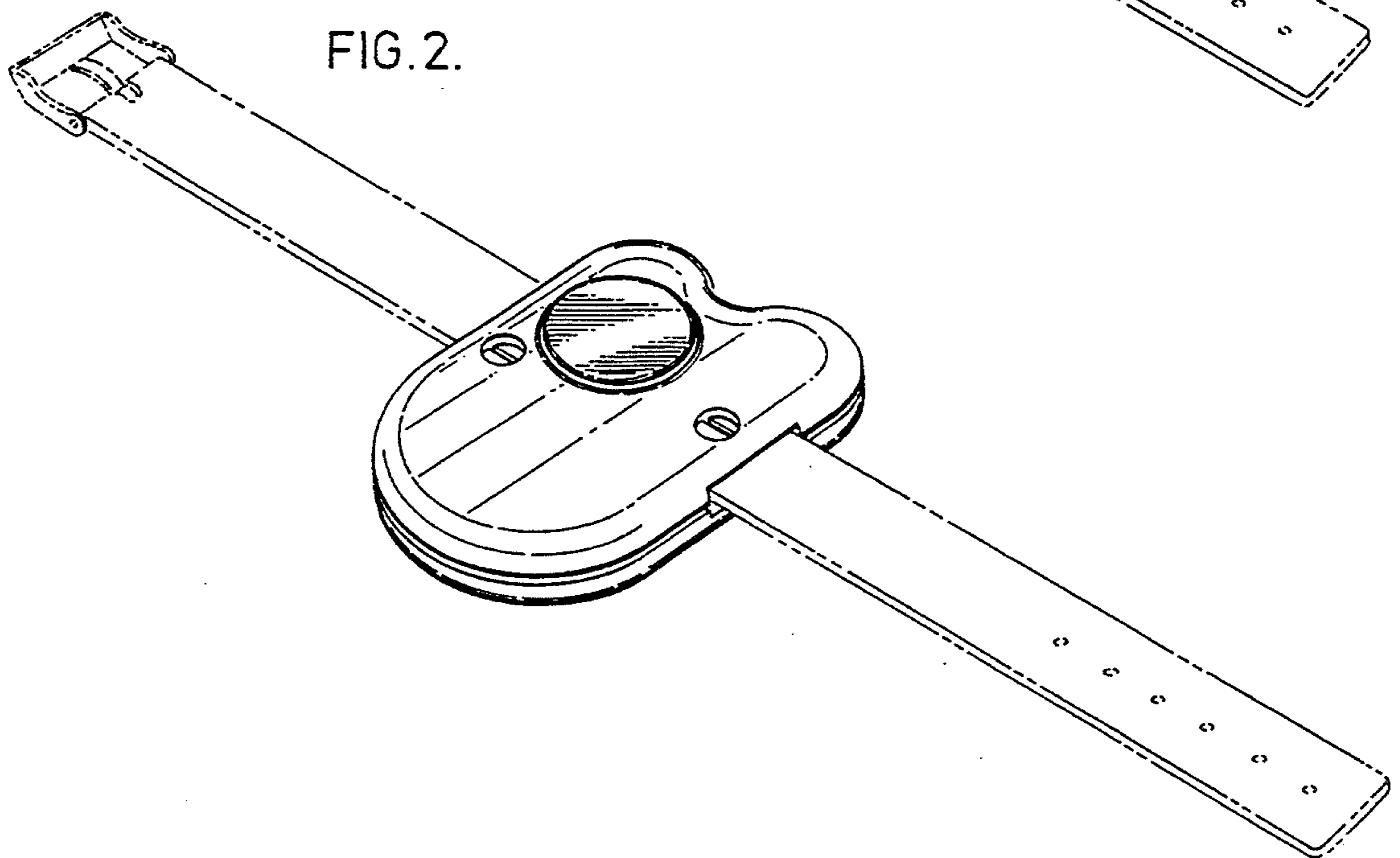
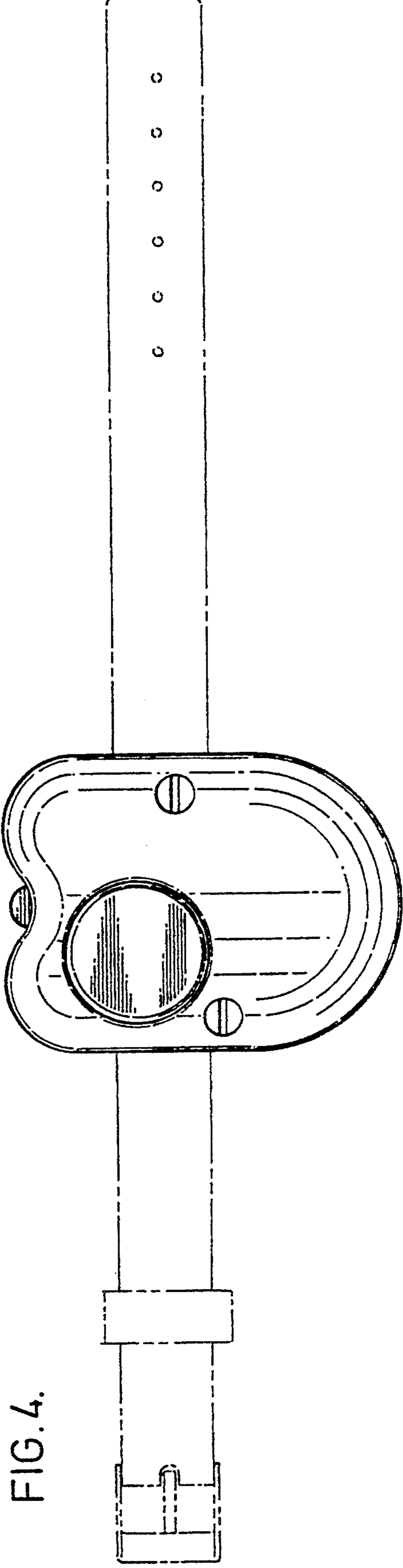
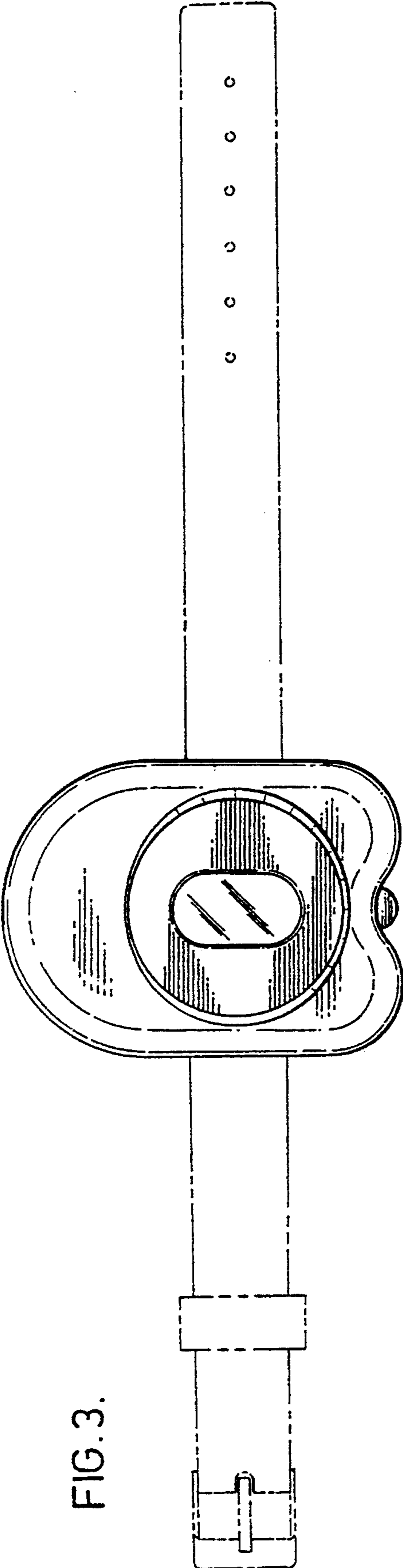


FIG. 2.





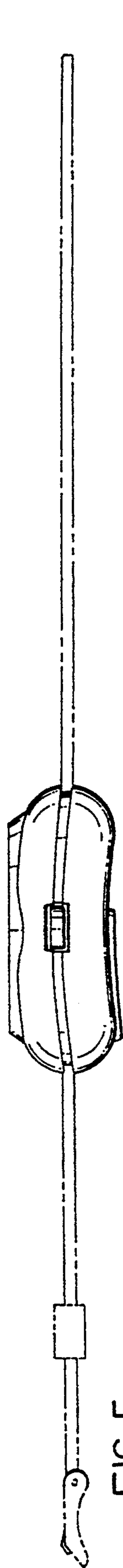


FIG. 5.

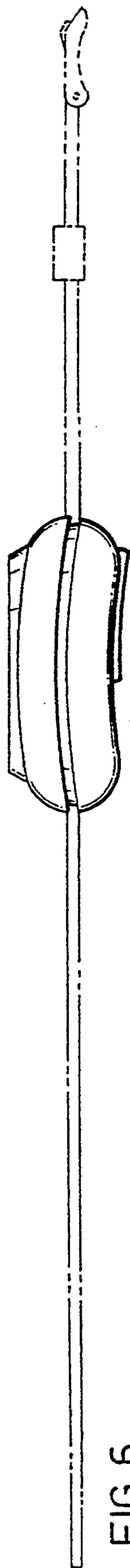


FIG. 6.

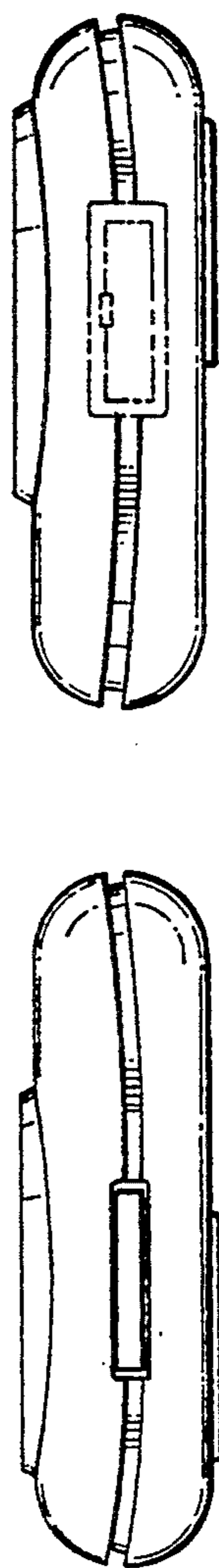


FIG. 7.

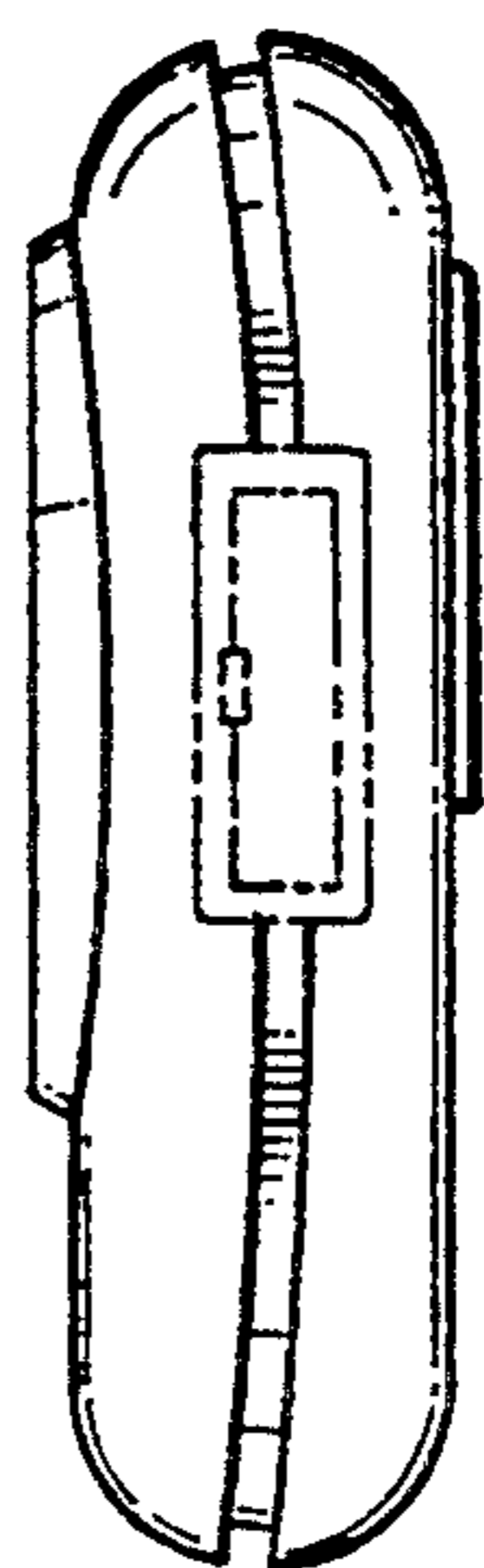


FIG. 8.