



US00D362069S

United States Patent [19]

[11] Patent Number: **Des. 362,069**

Ai et al.

[45] Date of Patent: **** Sep. 5, 1995**

[54] **DENTAL ARTICULATOR**

[75] Inventors: **Minoru Ai**, 4-18-17,
Oizumi-gakuen-cho, Nerima-ku,
Tokyo; **Toshimitsu Ohki**, Tokyo,
both of Japan

[73] Assignees: **Sankin Kogyo Kabushiki Kaisha;**
Minoru Ai, both of Japan

[**] Term: **14 Years**

[21] Appl. No.: **13,734**

[22] Filed: **Sep. 30, 1993**

[52] U.S. Cl. **D24/182; D24/176**

[58] Field of Search **D24/176-182;**
433/58, 56, 55, 59, 57, 69, 54, 53, 68

[56] **References Cited**

U.S. PATENT DOCUMENTS

D. 258,838	4/1981	Lee	D24/181
2,669,780	2/1954	Mann	433/53
4,365,955	12/1982	Tradowsky	433/54

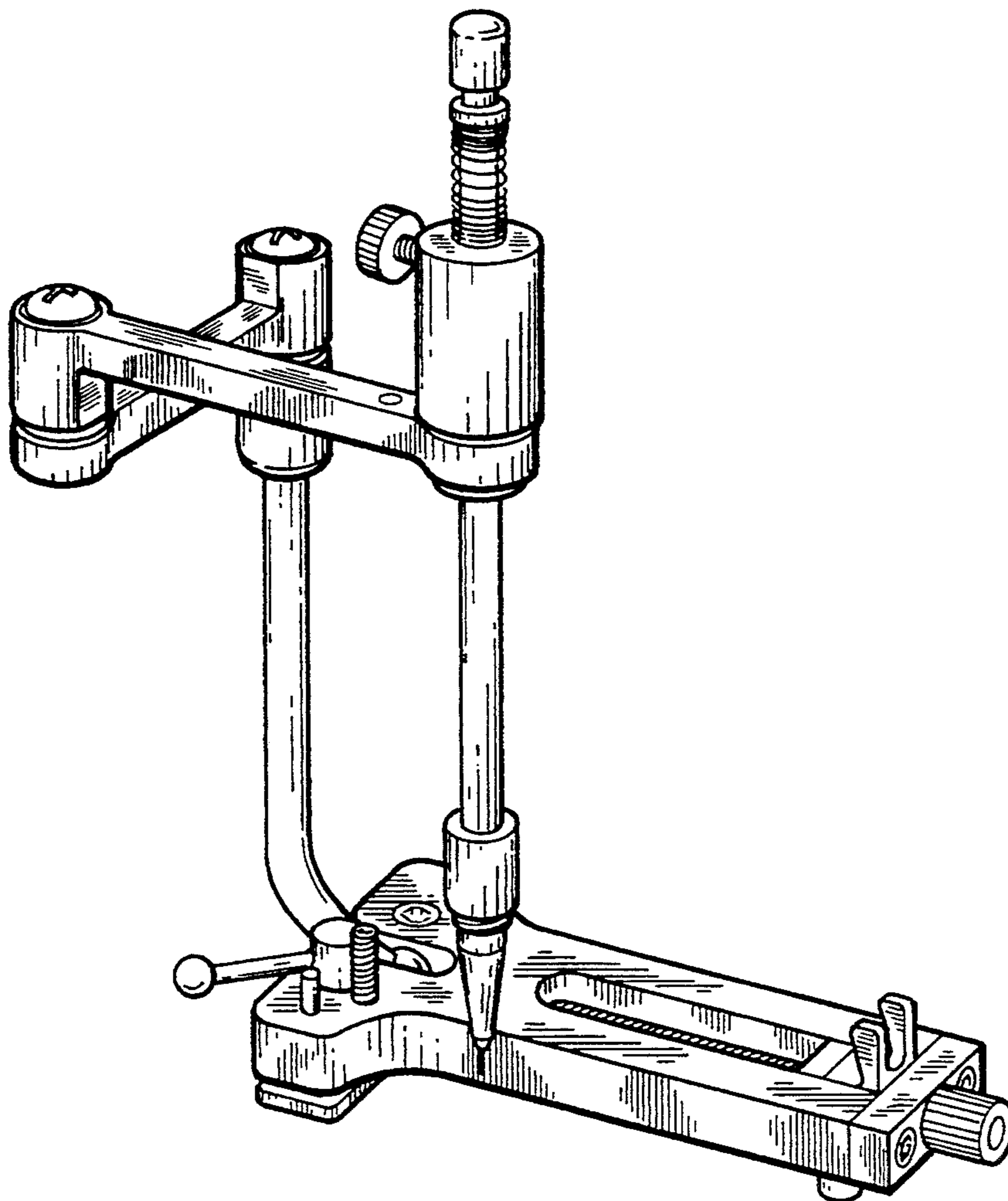
Primary Examiner—Kay H. Chin
Attorney, Agent, or Firm—Diller, Ramik & Wight

[57] **CLAIM**

The ornamental design for a dental articulator, as shown and described.

DESCRIPTION

FIG. 1 is a perspective view of the dental articulator showing our new design;
 FIG. 2 is a perspective view thereof in the folded position;
 FIG. 3 is a perspective view thereof with a model of a patient's teeth being supported upon a platform during measuring;
 FIG. 4 is another perspective view thereof similar to FIG. 3;
 FIG. 5 is a left-side elevational view thereof;
 FIG. 6 is a right side elevational view thereof;
 FIG. 7 is a front elevational view thereof;
 FIG. 8 is a rear elevational view thereof;
 FIG. 9 is a top plan view thereof; and,
 FIG. 10 is a bottom plan view thereof.



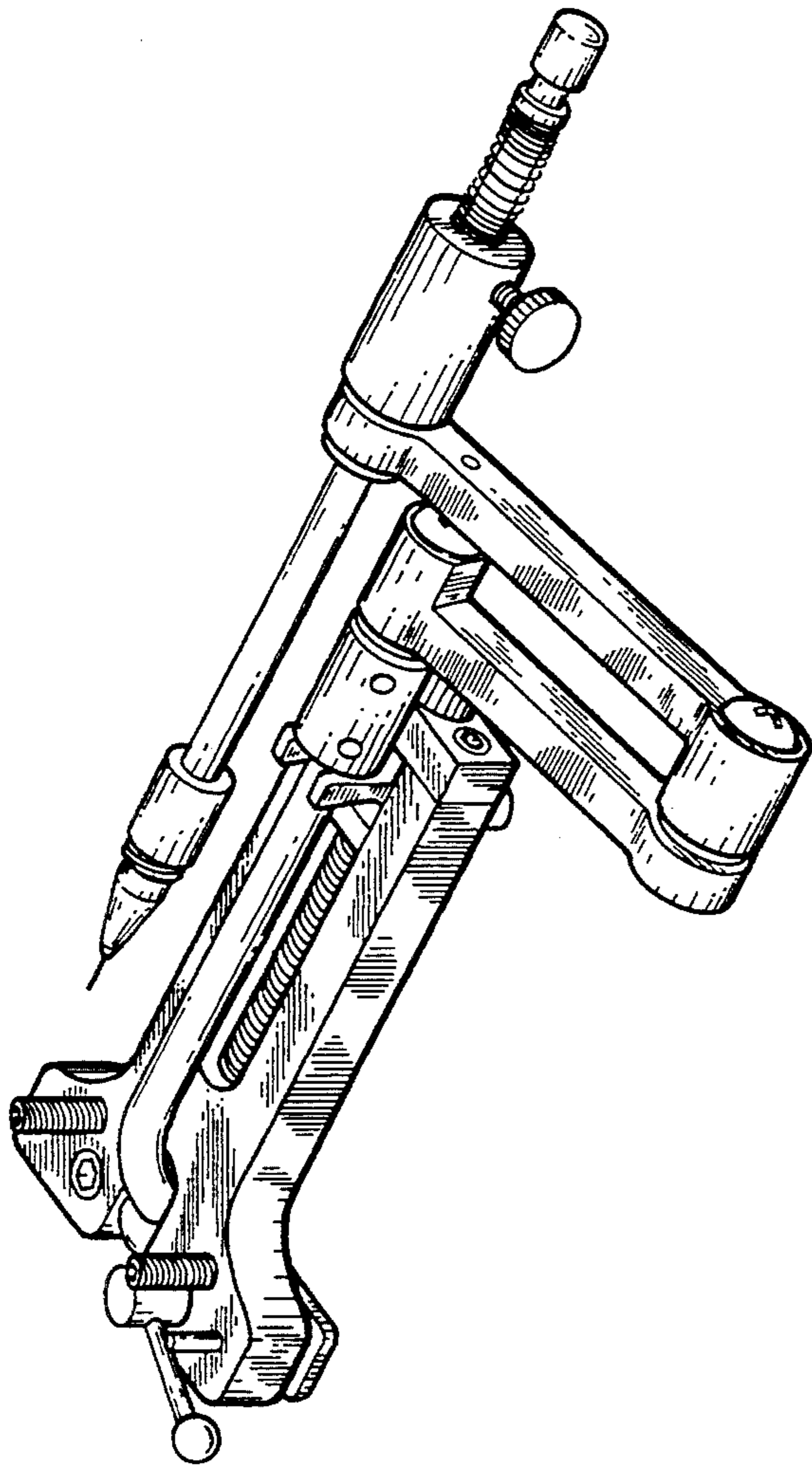


FIG. 2

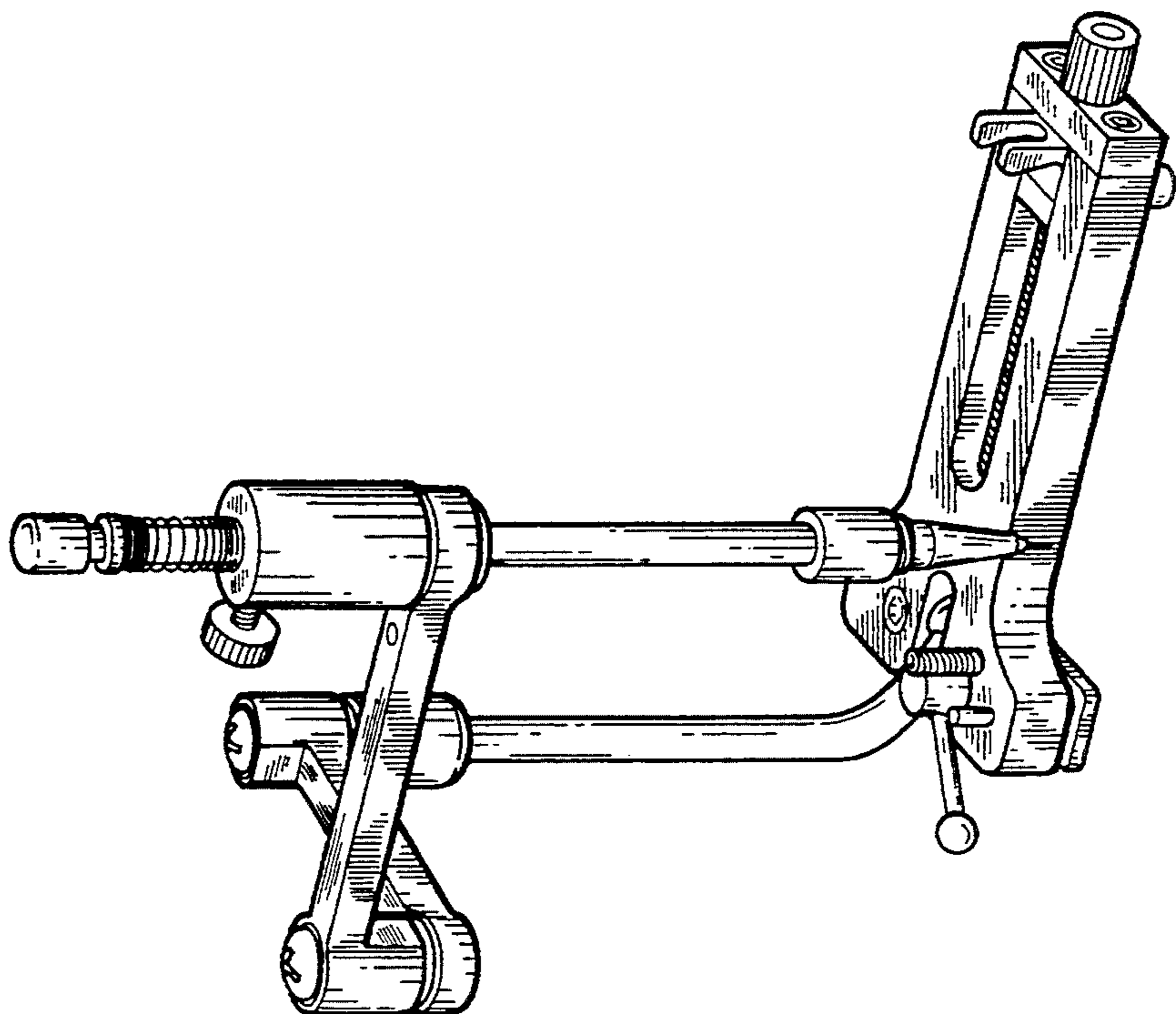
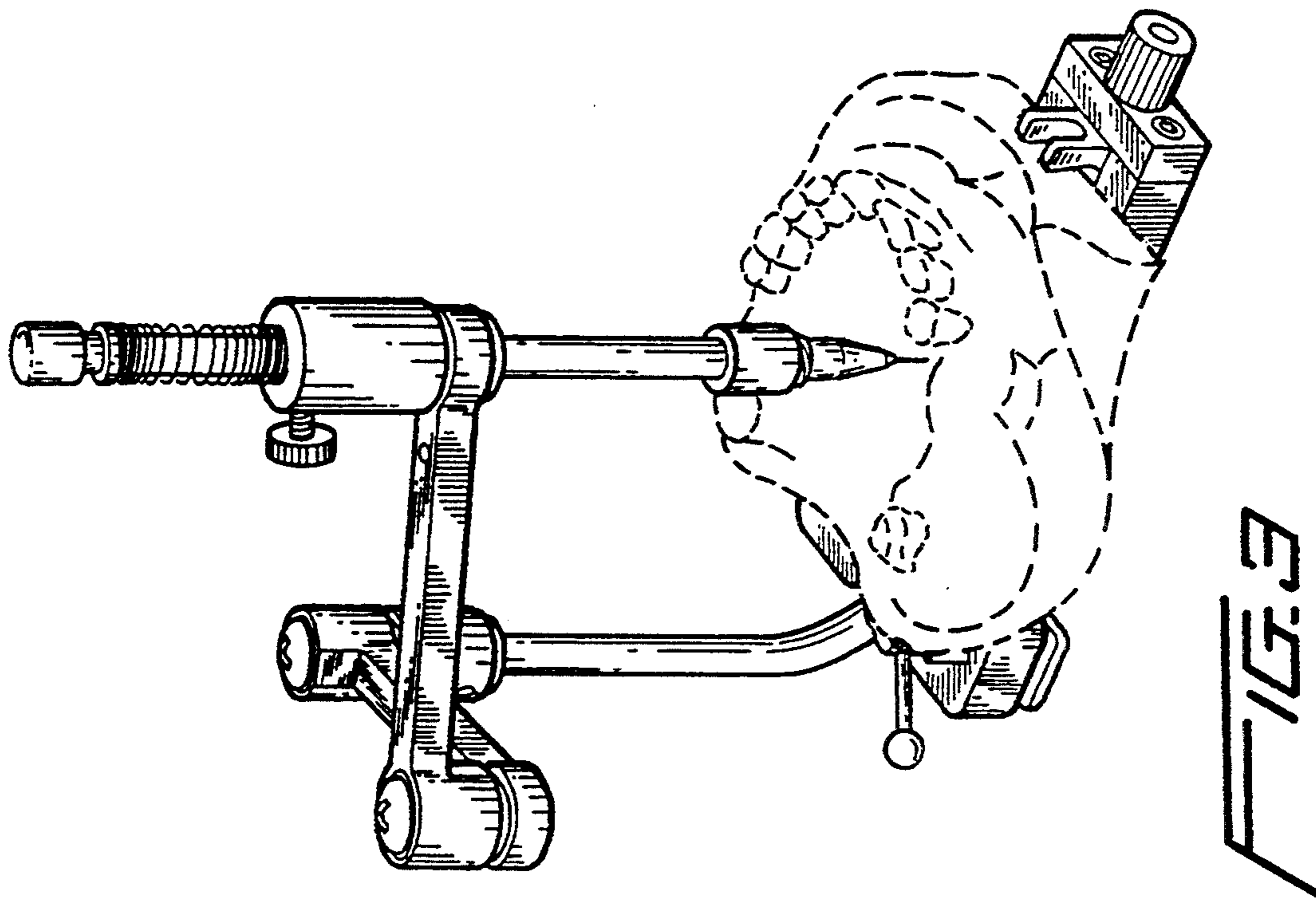
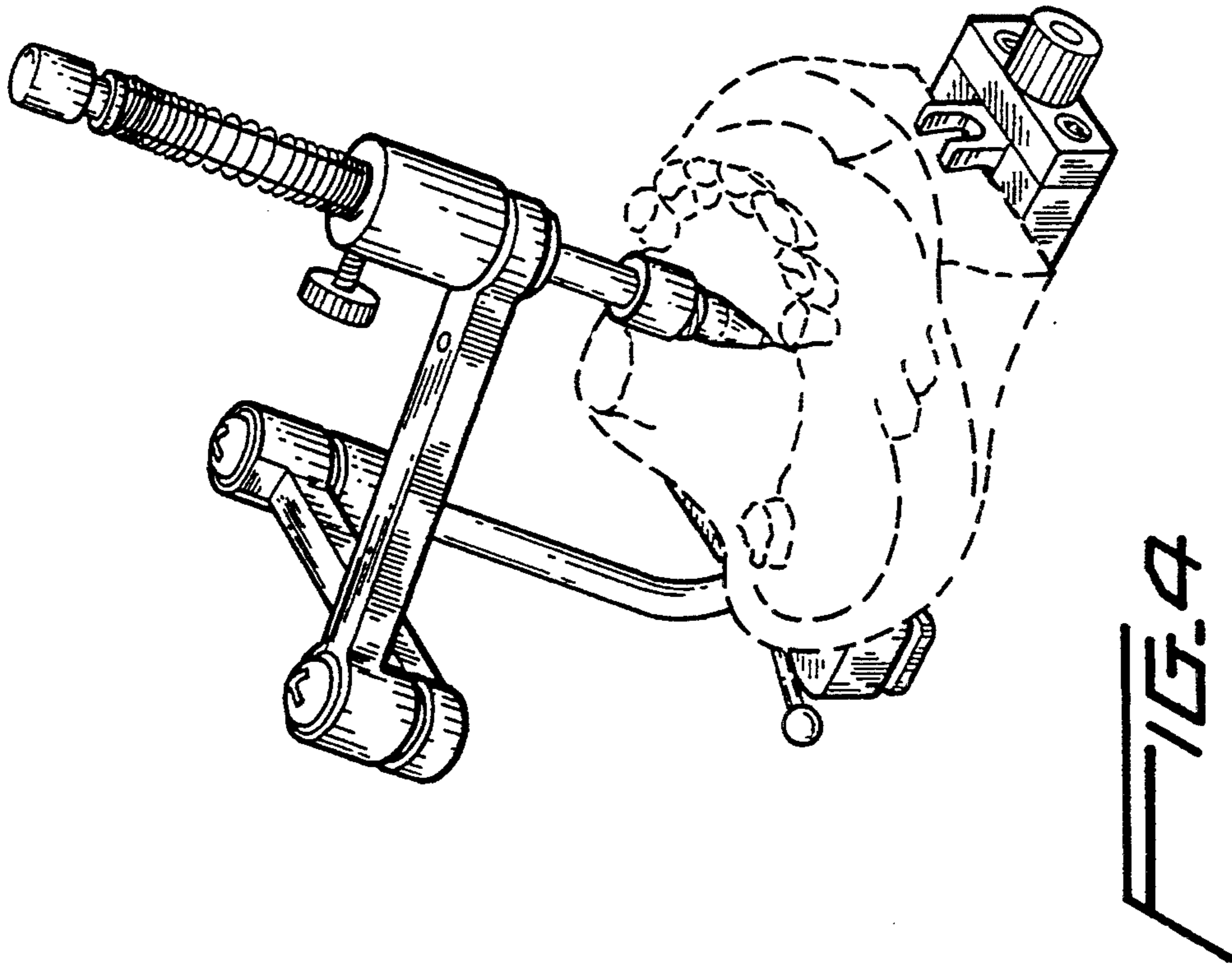


FIG. 1



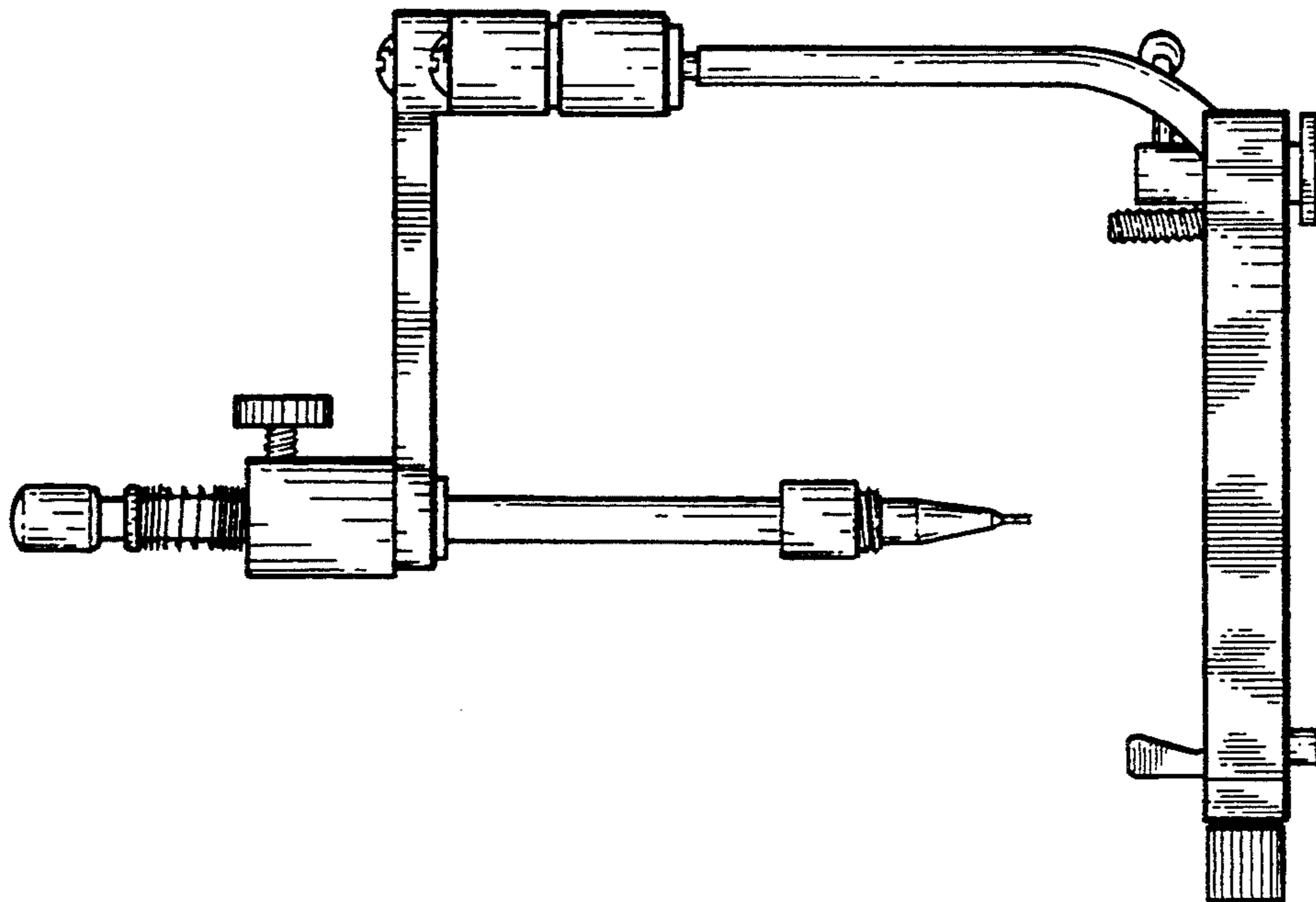


FIG. 6

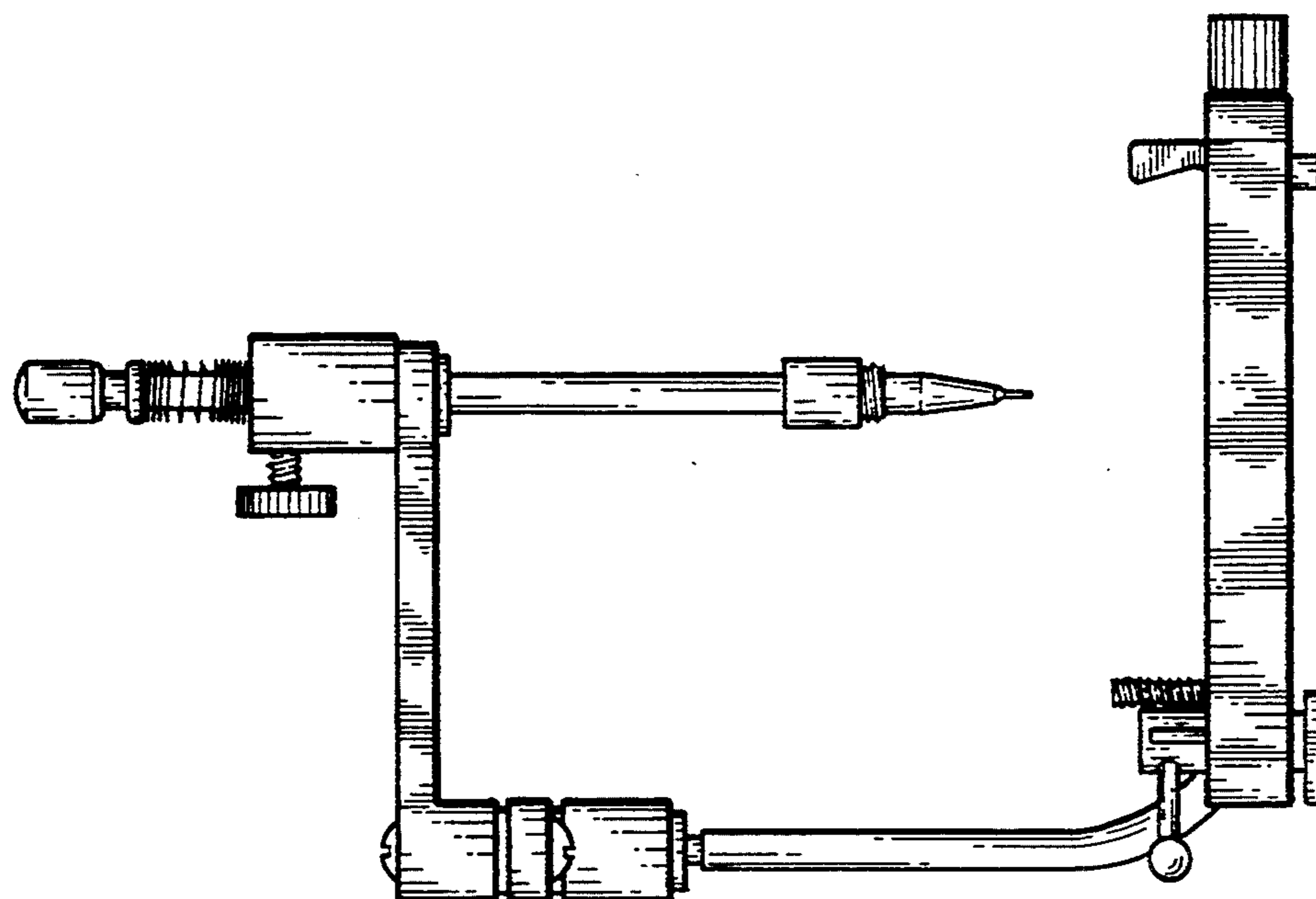


FIG. 5

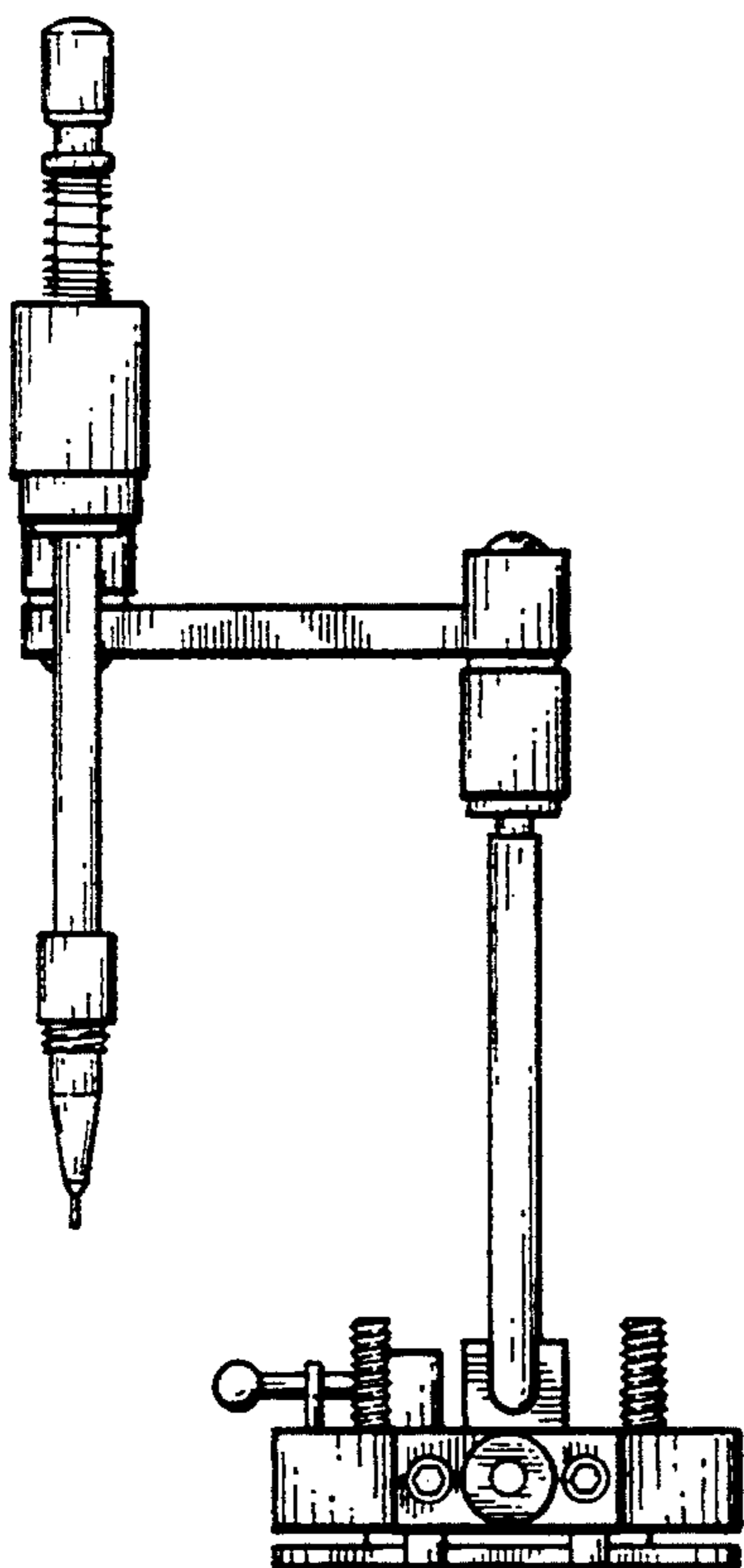


FIG. 7

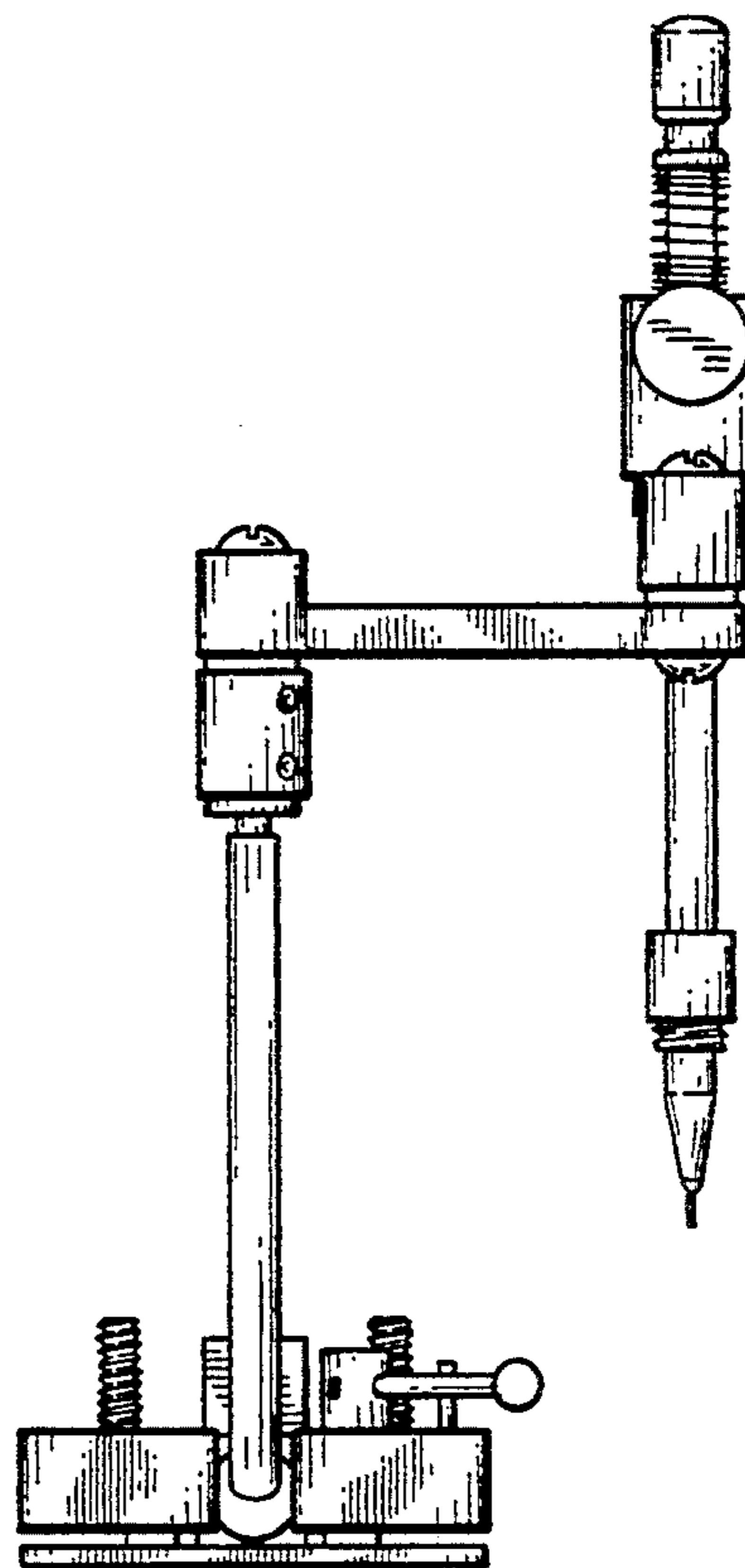


FIG. 8

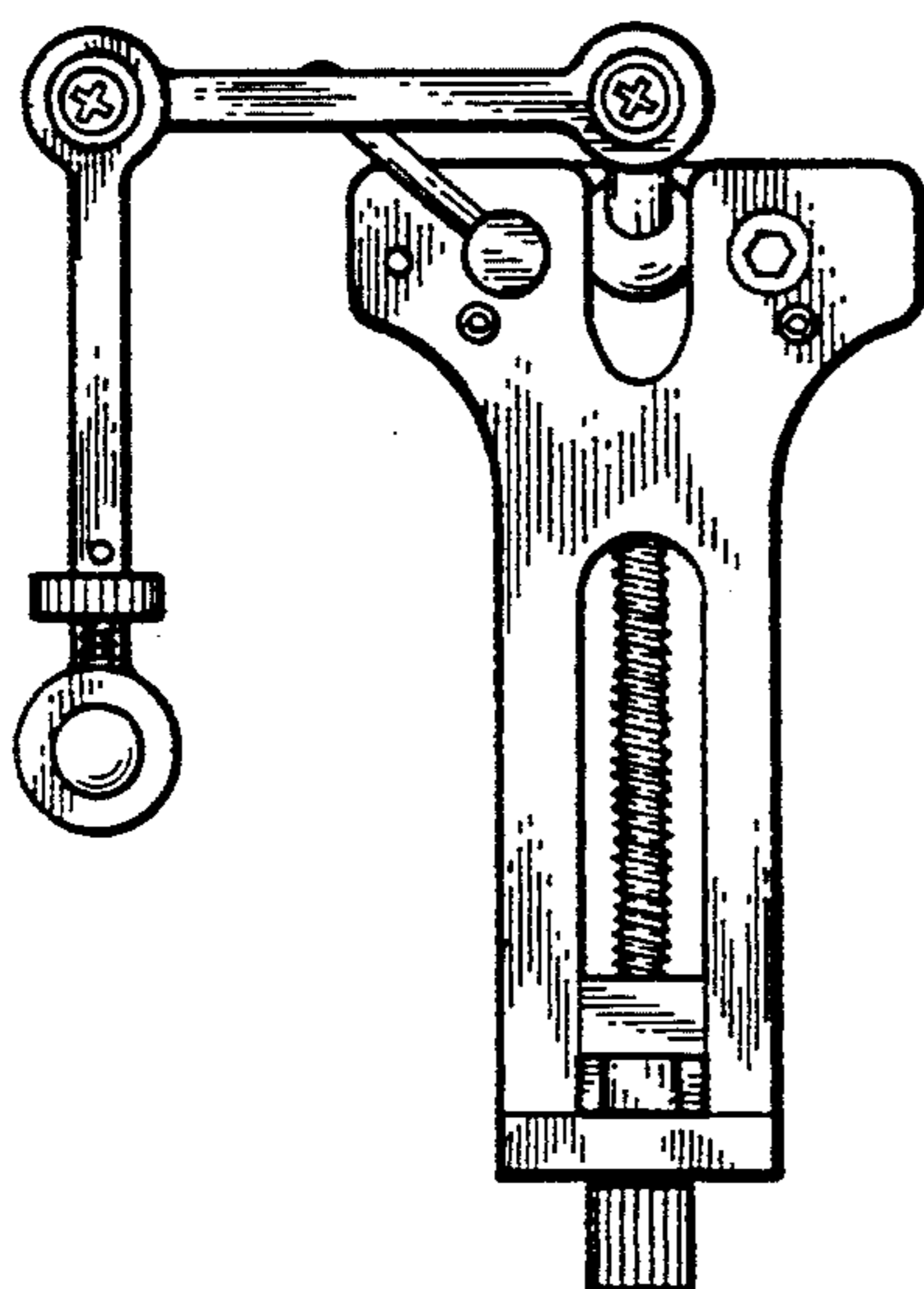


FIG. 9

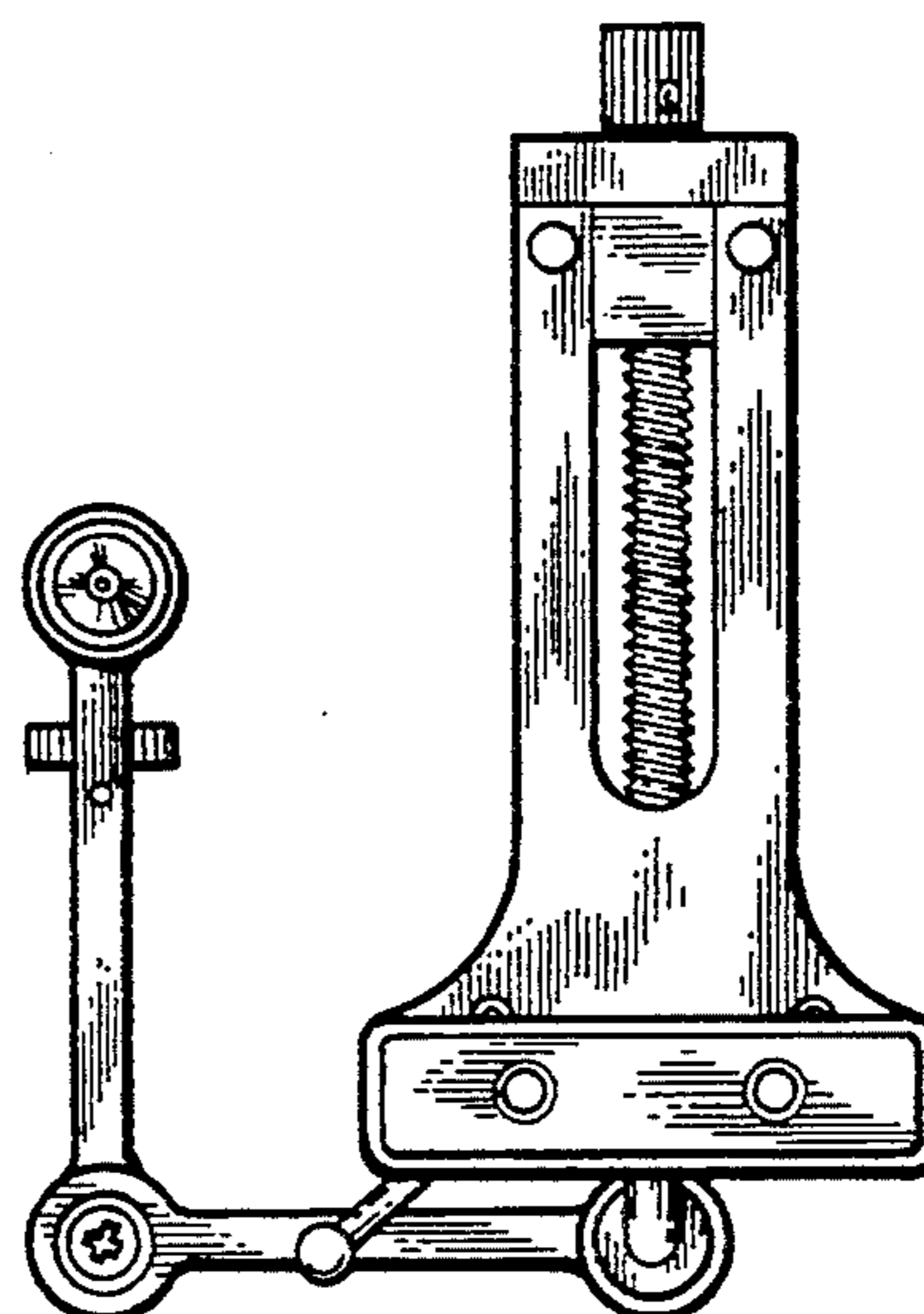


FIG. 10